



US00D333018S

United States Patent [19]

[11] Patent Number: **Des. 333,018**

Bothun et al.

[45] Date of Patent: **** Feb. 2, 1993**

[54] **FLOOR POLISHER**

[75] Inventors: **Eugene L. Bothun, Loveland; Frederick M. Bores, Highlands Ranch; Edward T. Biegel, Littleton, all of Colo.**

[73] Assignee: **Windsor Industries, Inc., Englewood, Colo.**

[**] Term: **14 Years**

[21] Appl. No.: **597,768**

[22] Filed: **Oct. 15, 1990**

[52] U.S. Cl. **D32/19**

[58] Field of Search **D32/1, 15-16, D32/19-22; 15/320, 321, 340.2, 340.3, 340.4, 49.1, 50.1, 50.3, 52.1, 78, 79.2, 82, 87**

[56] **References Cited**

U.S. PATENT DOCUMENTS

D. 183,080	6/1958	Ashton	D32/16
D. 183,552	9/1958	Baranov et al.	D32/16
D. 202,170	9/1965	Little et al.	D32/16
D. 206,576	1/1967	Knapp et al.	D32/16

D. 263,475	3/1982	Block	D32/16
D. 274,380	6/1984	Palmer	D32/16
D. 284,413	6/1986	Marshall	D32/15
D. 290,053	5/1987	Block	D32/15
D. 290,054	5/1987	Block	D32/15
4,506,405	3/1985	Block	15/320
4,674,142	6/1987	Block	15/320

*Primary Examiner—A. Hugo Word
Assistant Examiner—Ruth McInroy
Attorney, Agent, or Firm—W. Scott Carson*

[57] **CLAIM**

The ornamental design for a floor polisher, as shown and described.

DESCRIPTION

FIG. 1 is a perspective view of a floor polisher showing our new design;
FIG. 2 is a right side elevational view thereof;
FIG. 3 is a front elevational view thereof;
FIG. 4 is a left side elevational view thereof;
FIG. 5 is a rear elevational view thereof;
FIG. 6 is a top plan view thereof; and,
FIG. 7 is a bottom plan view thereof.

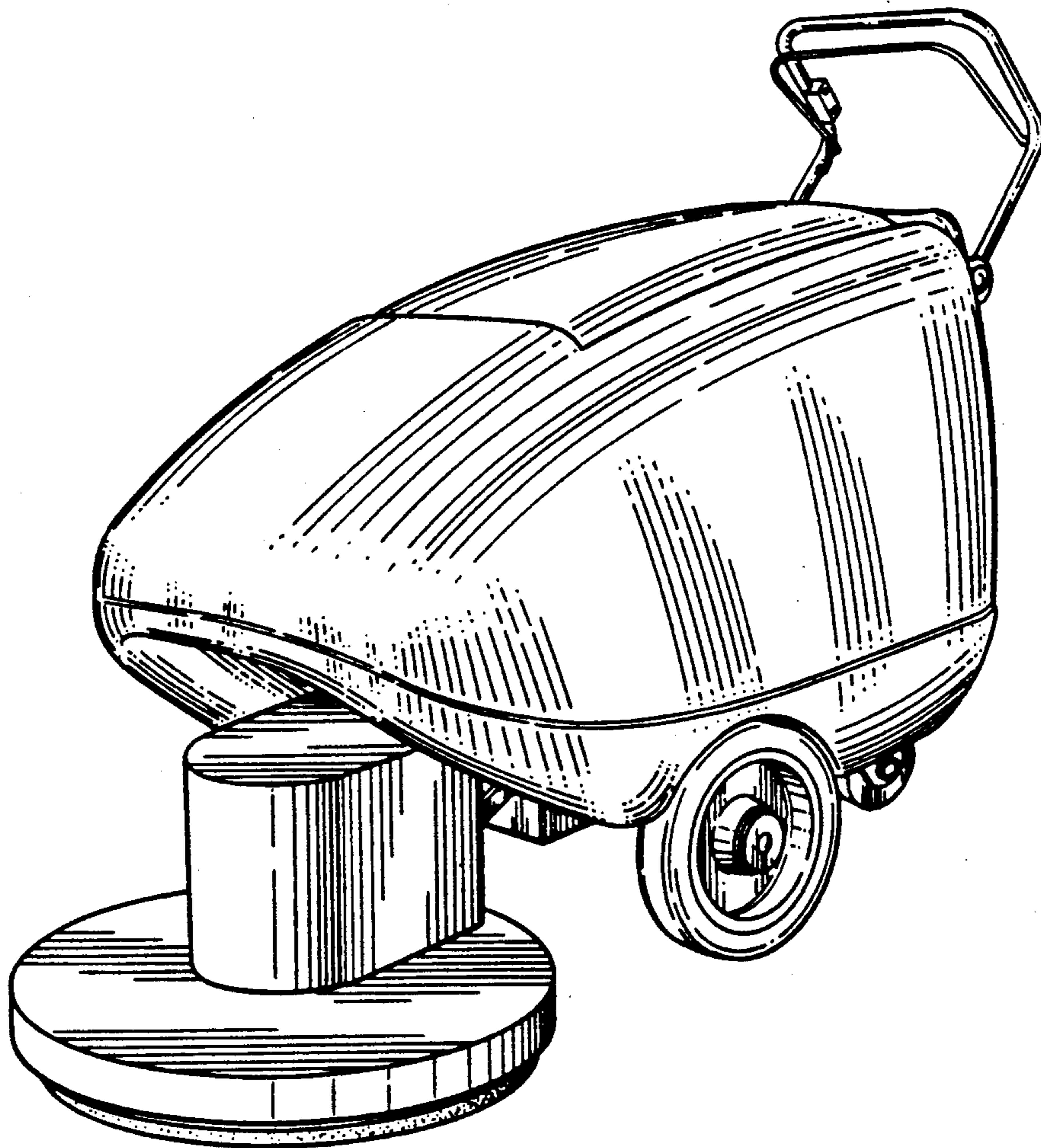
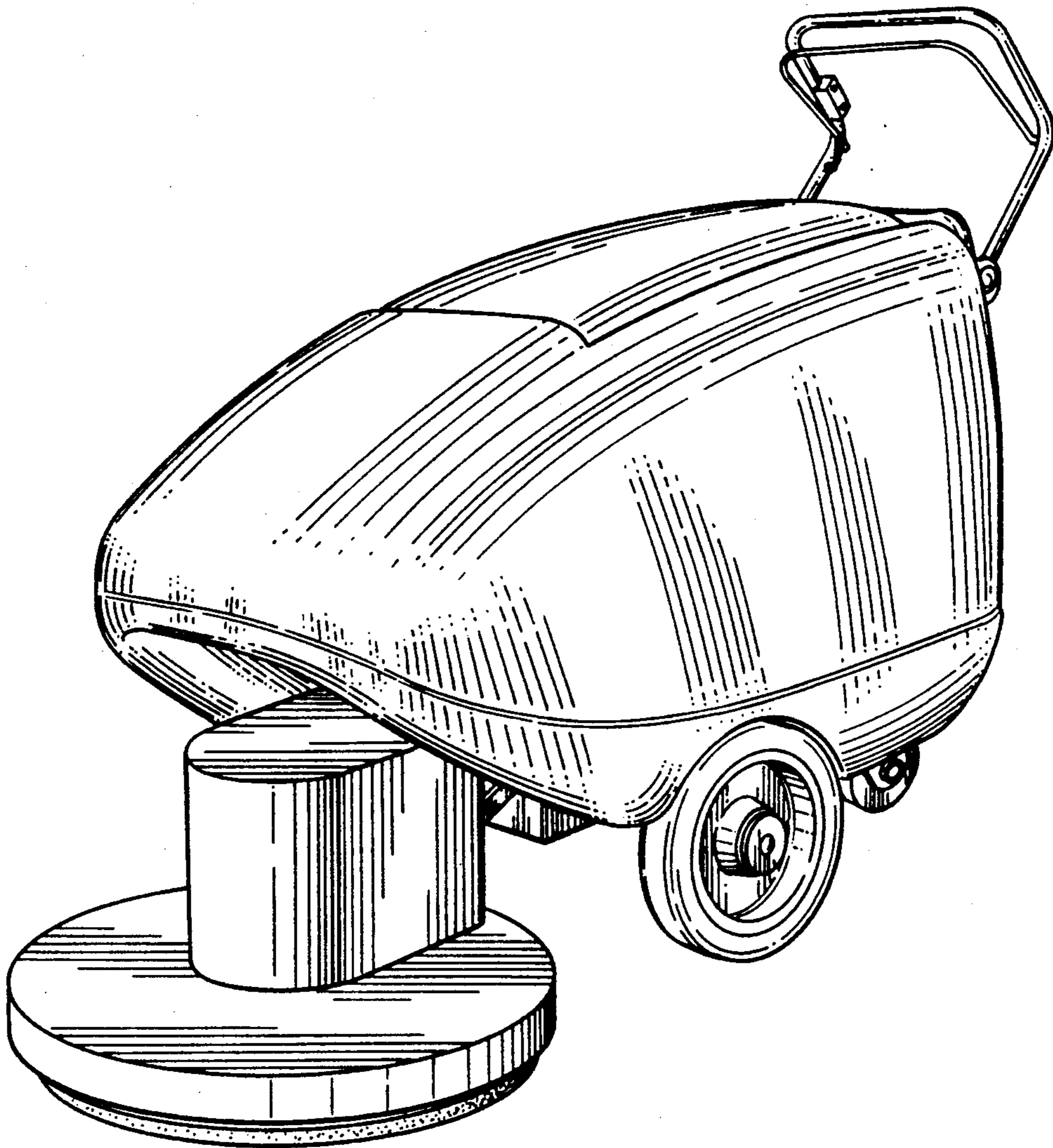


Fig. 1



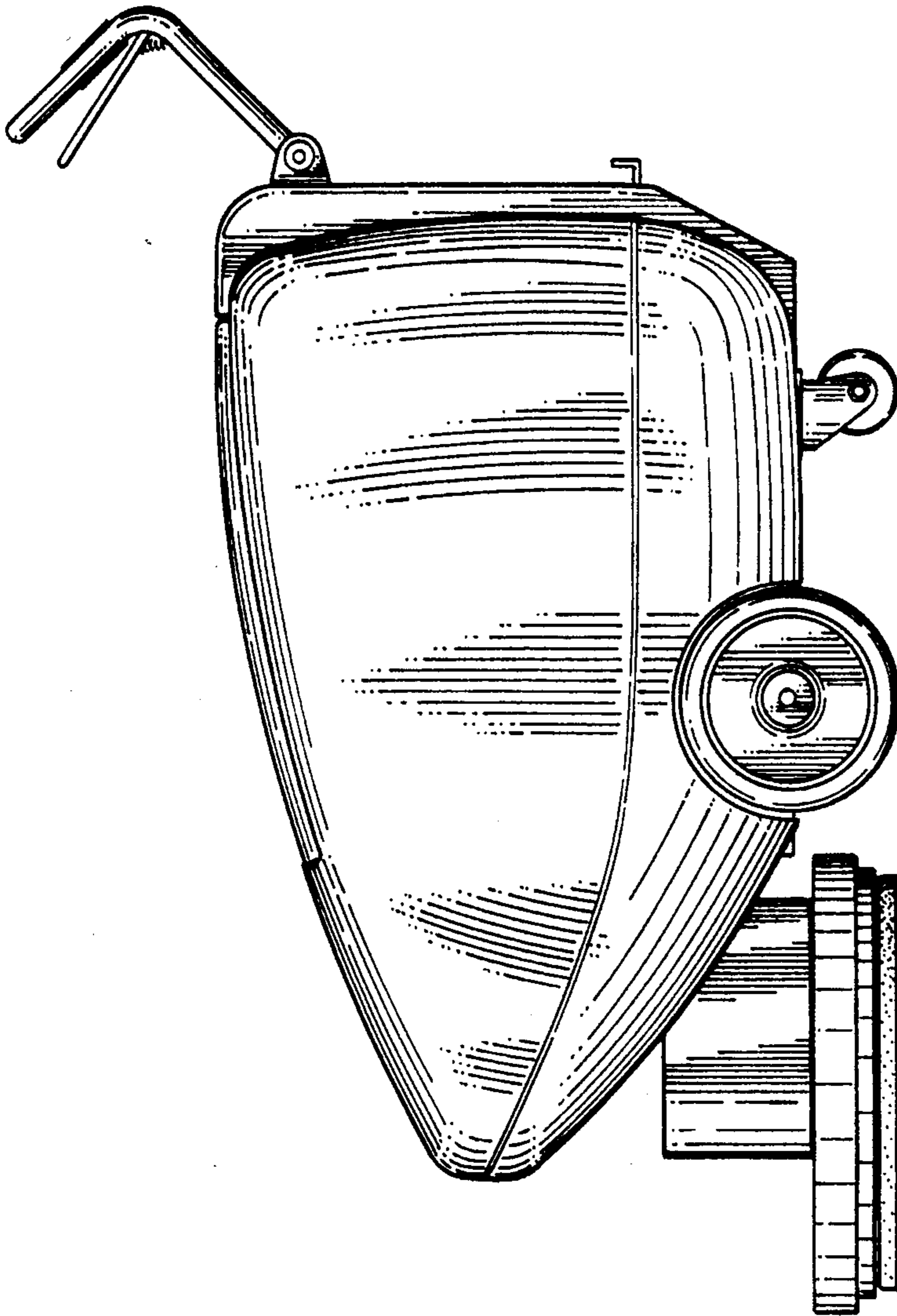


Fig. 2

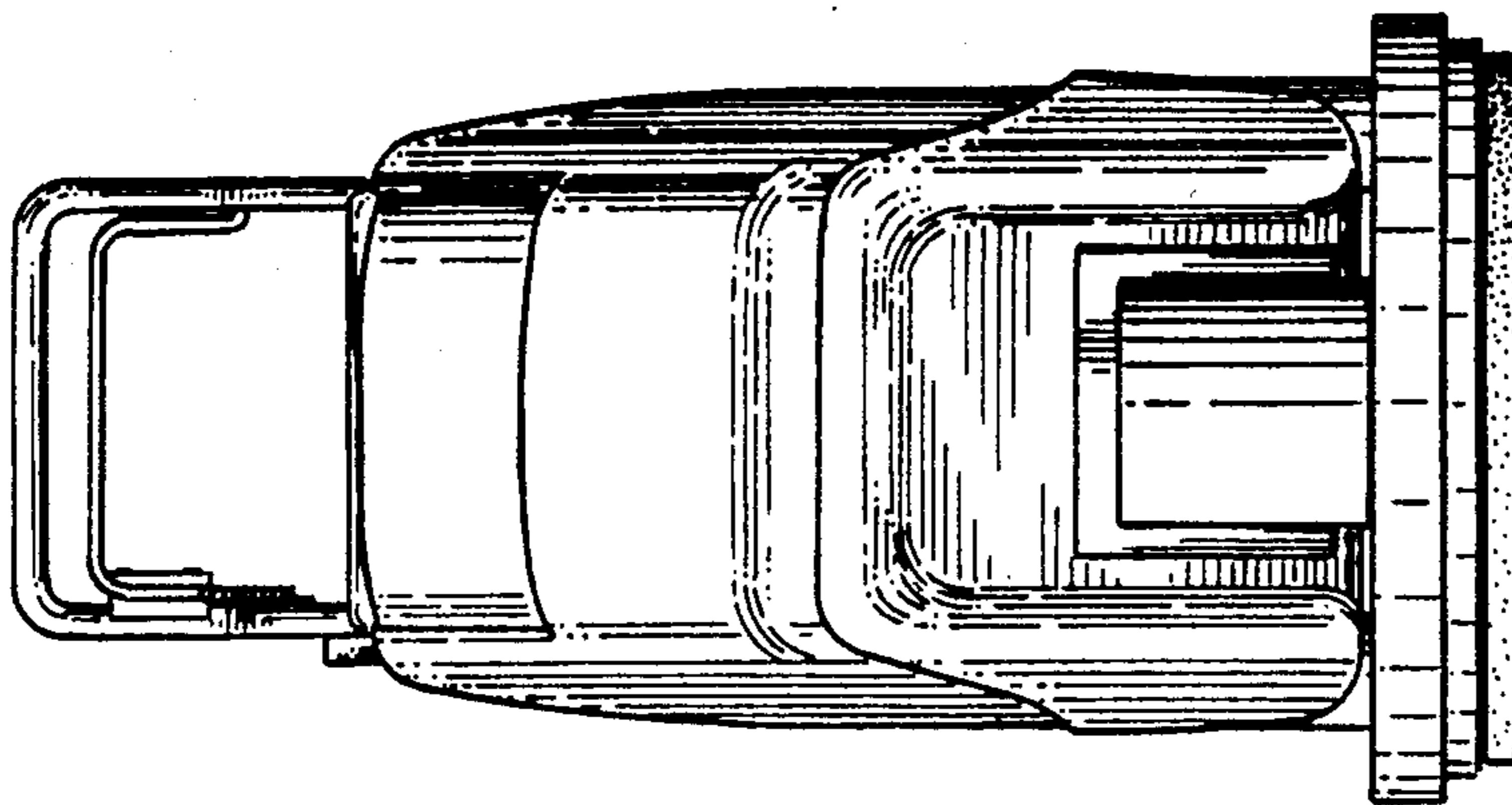


Fig. 3

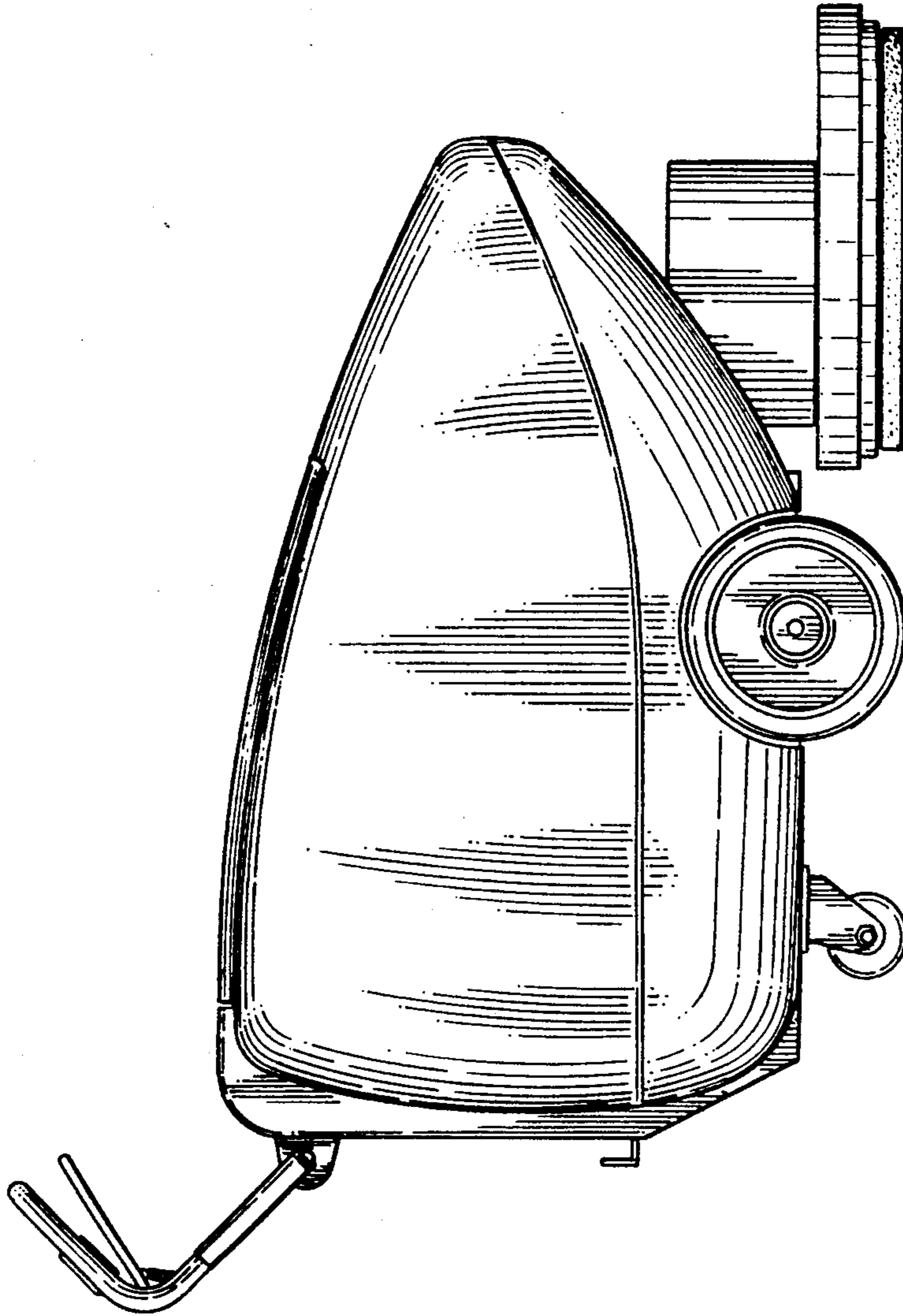


Fig. 4

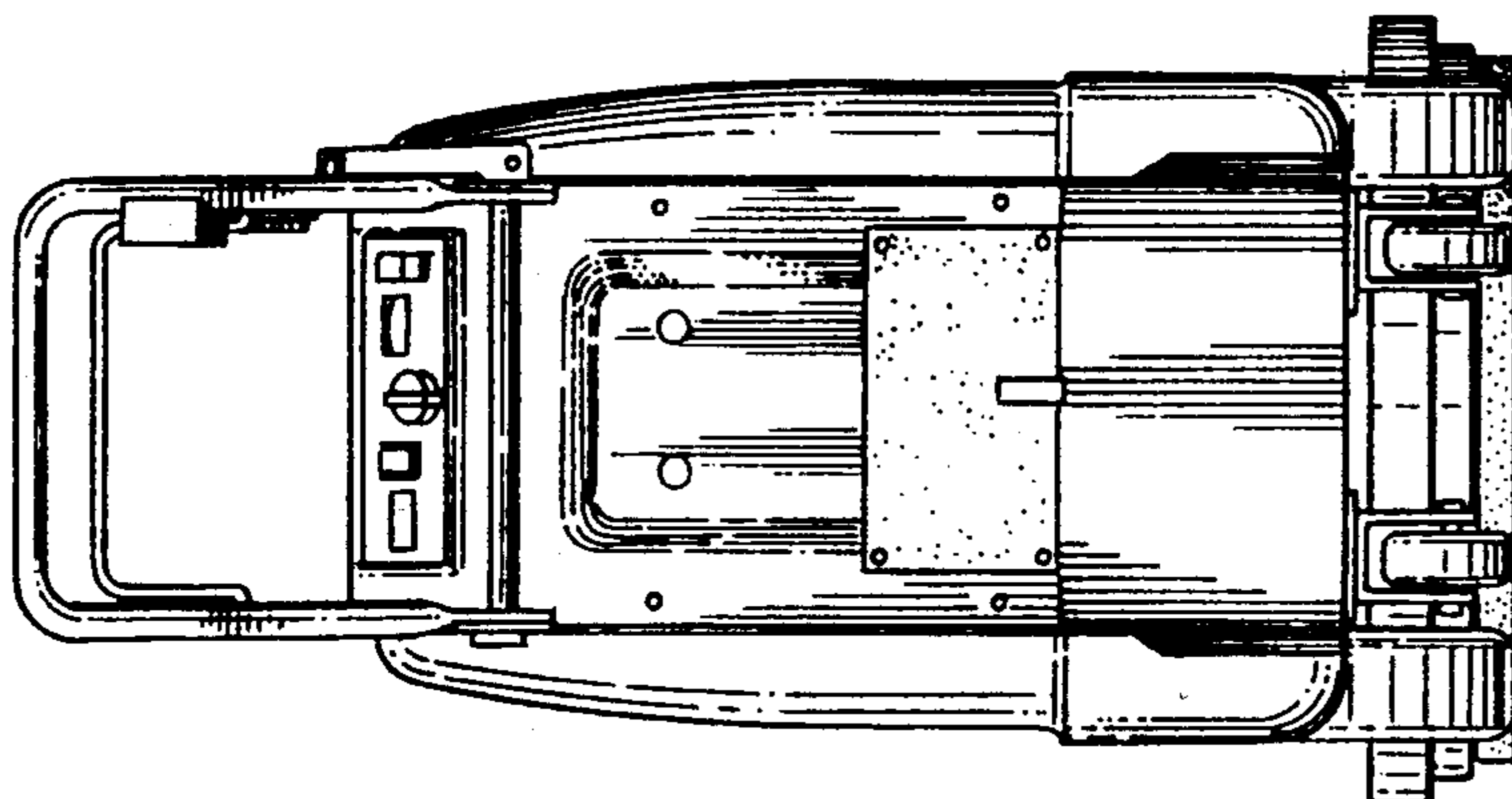


Fig. 5

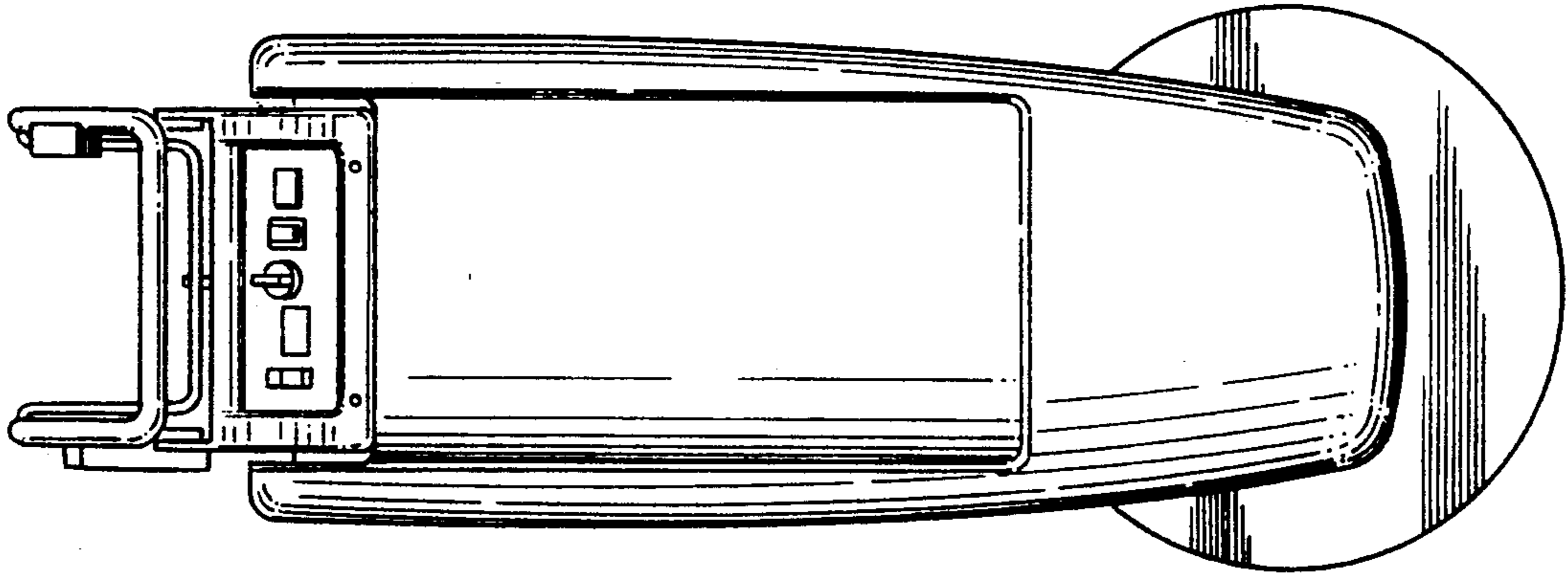


Fig. 6

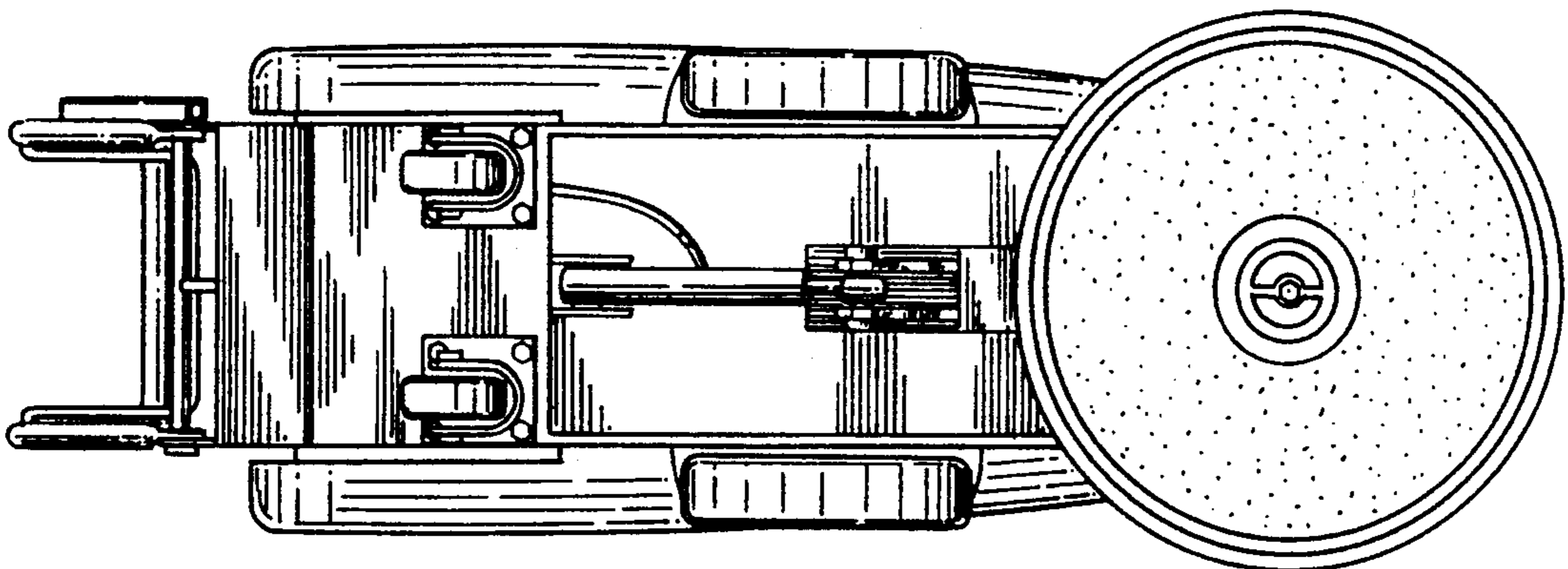


Fig. 7