



US00D333017S

# United States Patent [19]

[11] Patent Number: **Des. 333,017**

**Karlsson**

[45] Date of Patent: **\*\* Feb. 2, 1993**

[54] **ANIMAL WATERING VALVE**

4,903,944 2/1990 Butzen et al. .... 251/240  
5,003,927 4/1991 Thompson ..... 119/72.5

[75] Inventor: **Goran Karlsson, Enhorna, Sweden**

### FOREIGN PATENT DOCUMENTS

[73] Assignee: **Alfa-Laval Agri Scandinavia,  
Sodertalje, Sweden**

962256 6/1950 France ..... 128/355  
401596 5/1978 Sweden .  
569721 10/1981 U.S.S.R. .... 119/72  
1286705 8/1972 United Kingdom .  
8911218 11/1989 World Int. Prop. O. .... 119/72

[\*\*] Term: **14 Years**

[21] Appl. No.: **492,878**

### OTHER PUBLICATIONS

[22] Filed: **Mar. 13, 1990**

Animal Pet Care Products Catalog; p. 21, item J-Worry Free Waterer.

[30] Foreign Application Priority Data

Sep. 14, 1989 [SE] Sweden ..... 89-2066  
[52] U.S. Cl. .... **D30/132**  
[58] Field of Search ..... D30/121, 132; 119/72,  
119/72.5; 251/236-246; 128/355

*Primary Examiner*—James R. Largen  
*Assistant Examiner*—Cathy Anne MacCormac  
*Attorney, Agent, or Firm*—Hovey, Williams, Timmons & Collins

[56] References Cited

### U.S. PATENT DOCUMENTS

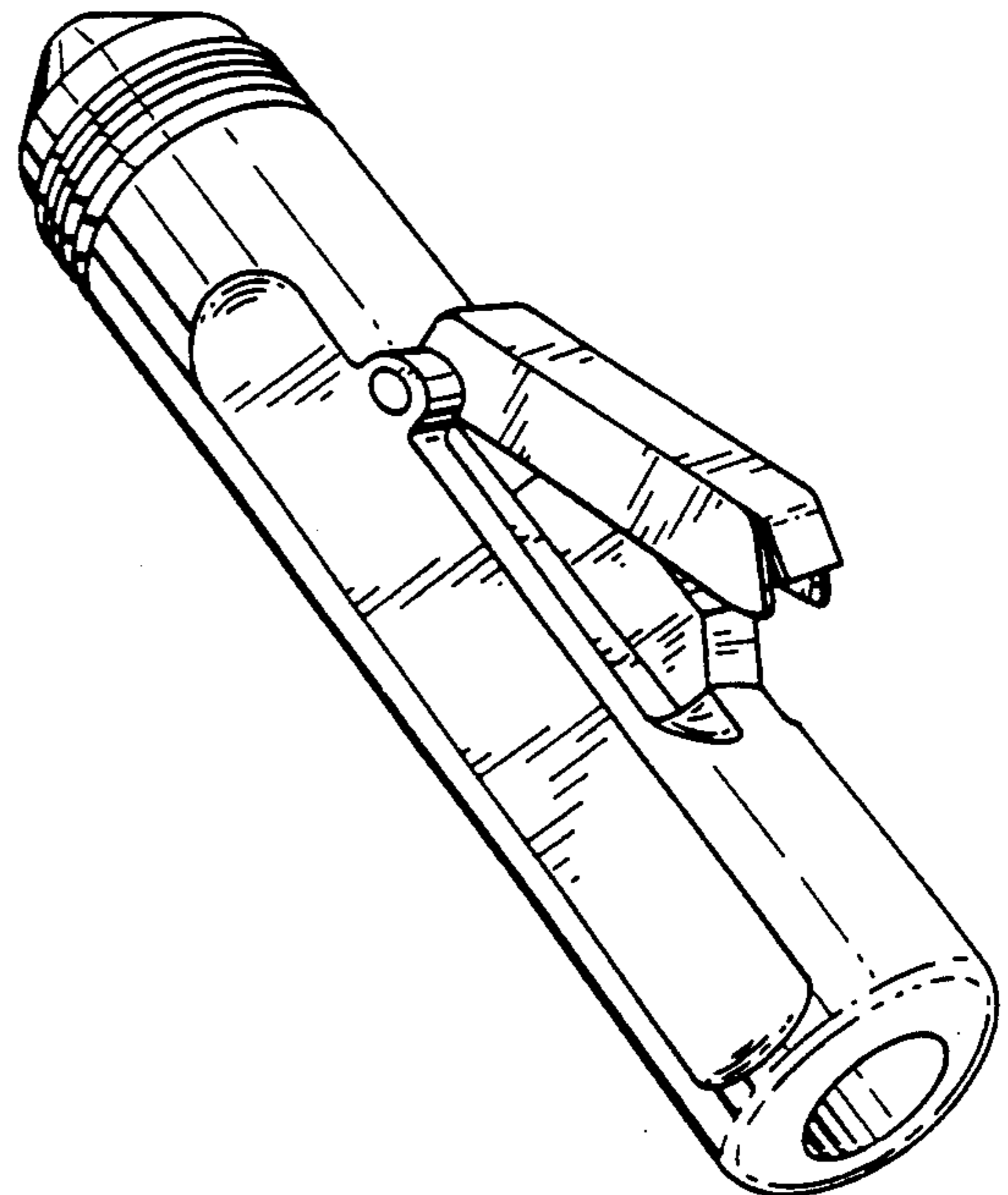
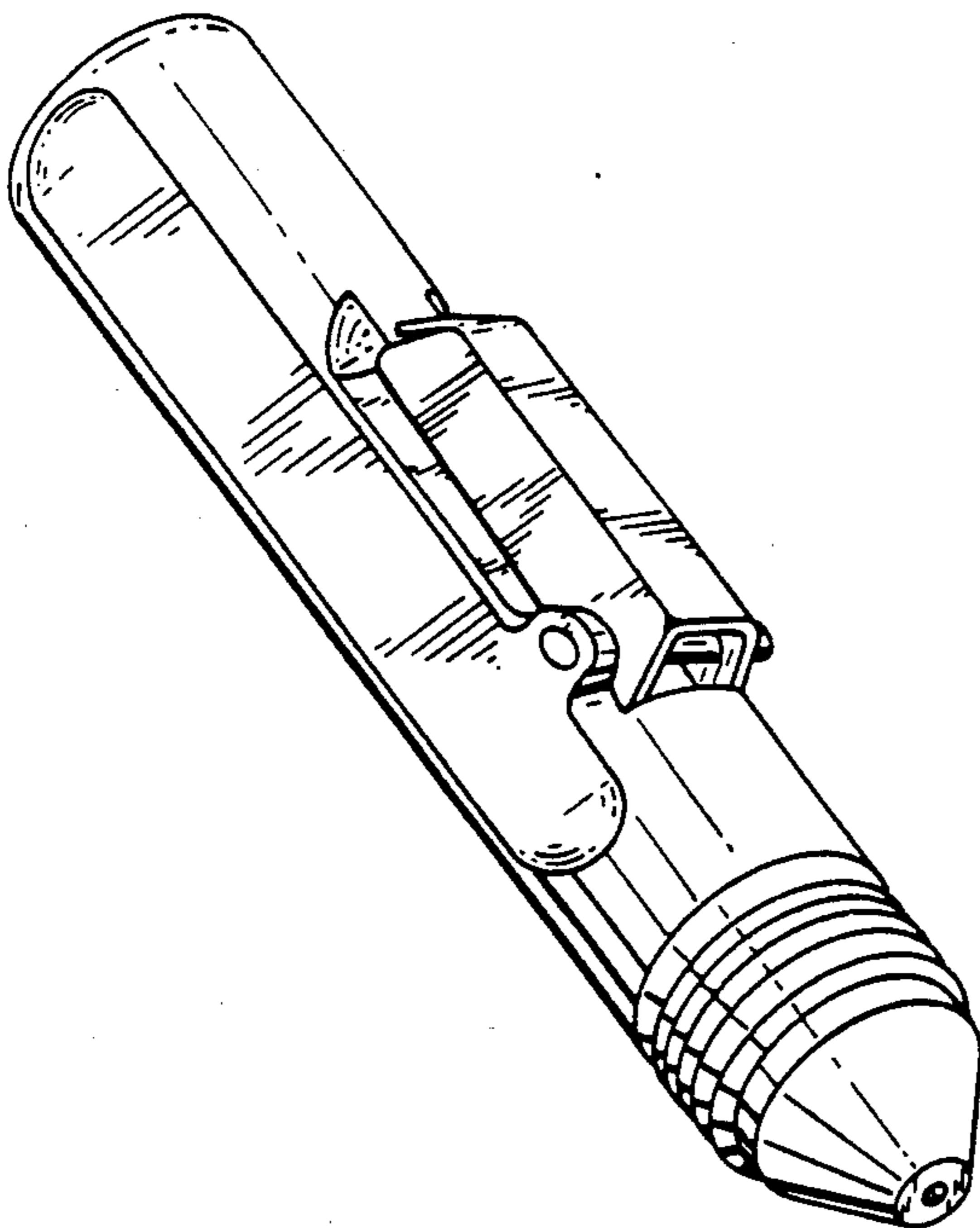
D. 219,778 1/1971 Leeming ..... D30/132  
D. 241,557 9/1976 Olde ..... D30/132  
666,026 1/1901 Richards ..... 251/236  
718,550 1/1903 Vaughn ..... 251/239  
935,268 9/1909 Levedahl ..... 251/241  
1,677,446 7/1928 Hartmetz ..... 251/239  
1,877,197 9/1932 Price et al. .... 251/239  
2,636,513 4/1953 Schmid ..... 251/238  
2,809,800 10/1957 Ahl ..... 251/236  
3,646,955 3/1972 Olde ..... 137/382  
4,663,816 1/1987 Ove et al. .... 119/72.5

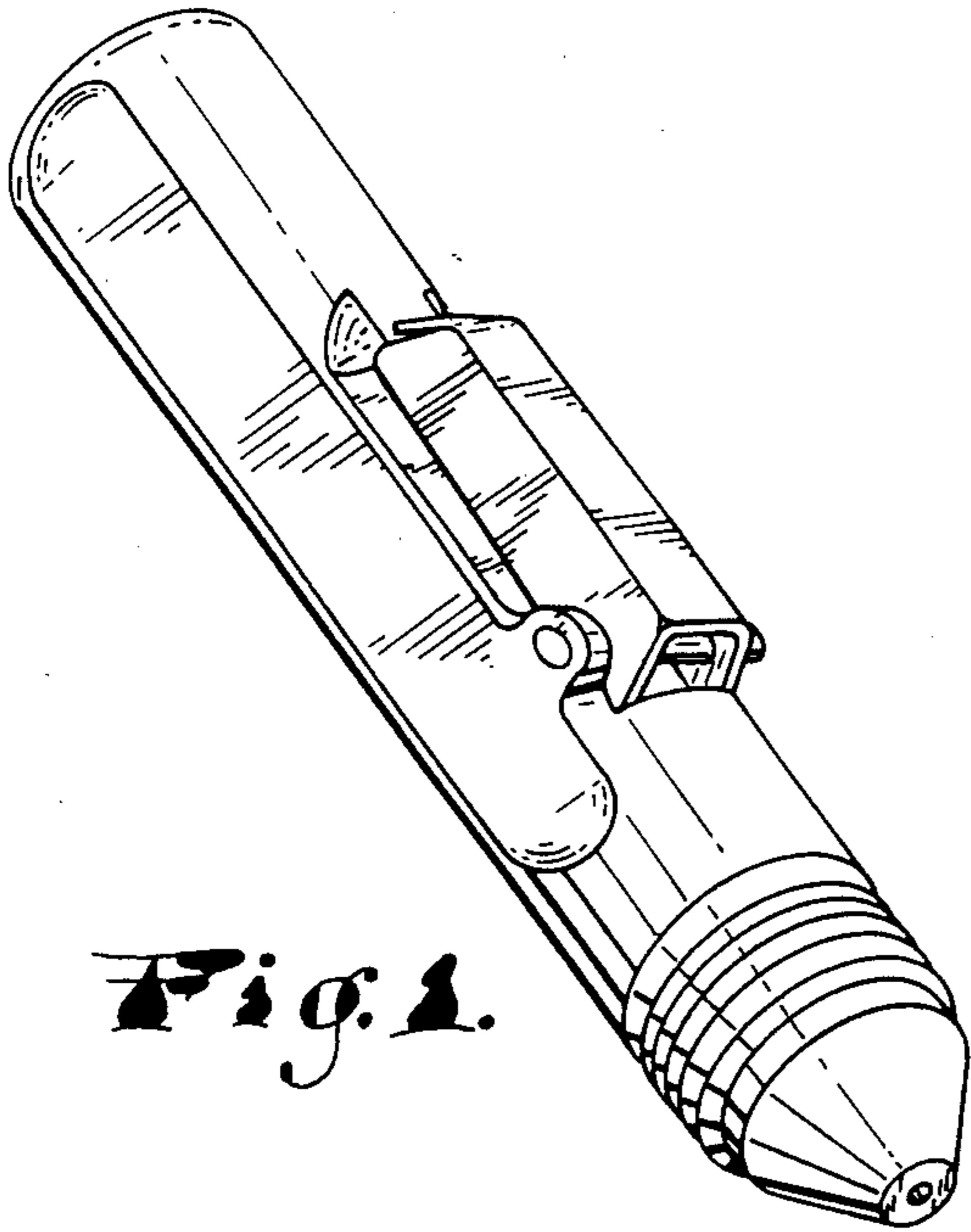
[57] **CLAIM**

The ornamental design for a animal watering valve, as shown and described.

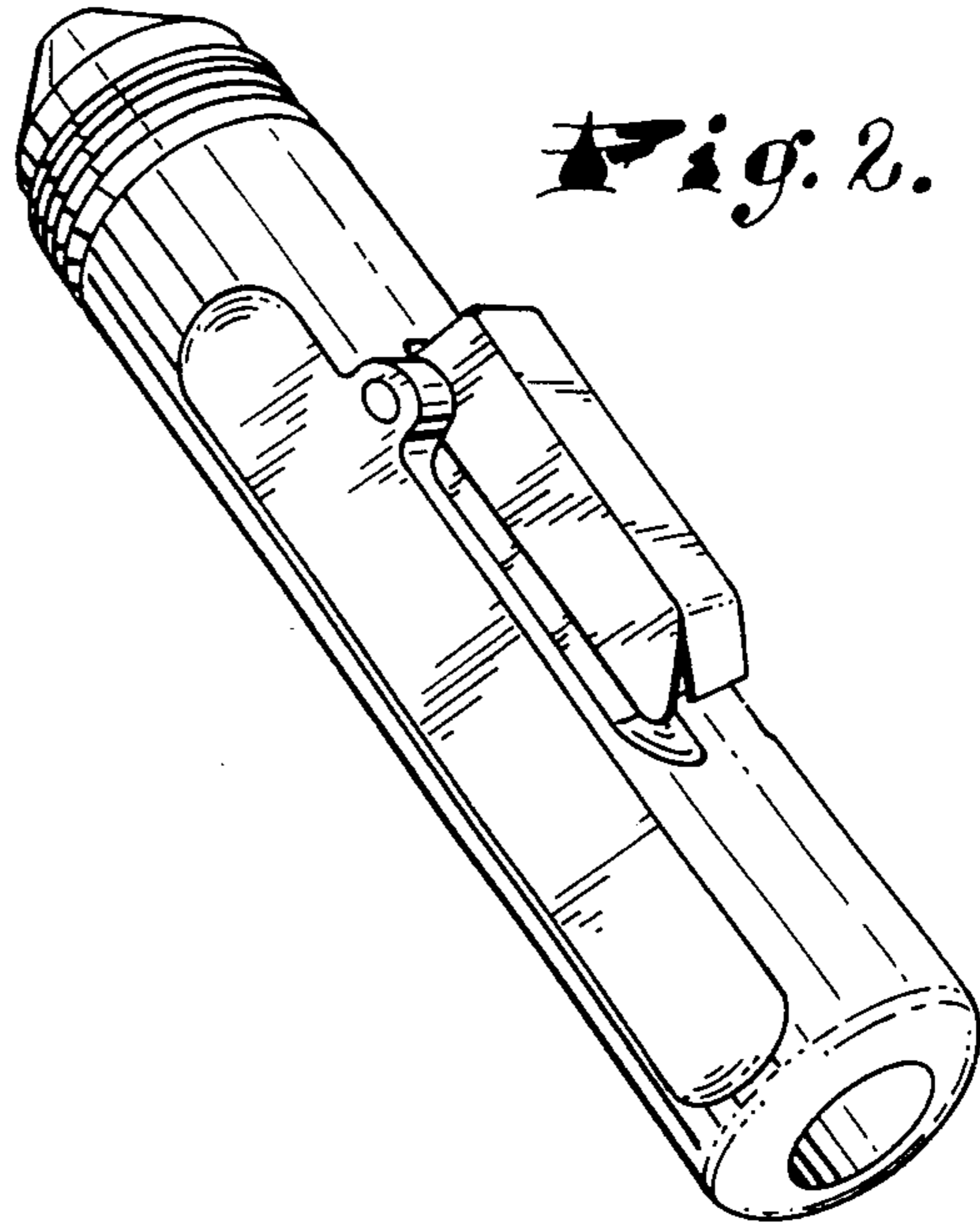
### DESCRIPTION

FIG. 1 is a left, rear perspective view of an animal watering valve showing my new design;  
FIG. 2 is a right, front perspective view thereof;  
FIG. 3 is a left, rear perspective view thereof showing the switch cover in an open position; and,  
FIG. 4 is a right, front perspective view thereof showing the switch cover in an open position.

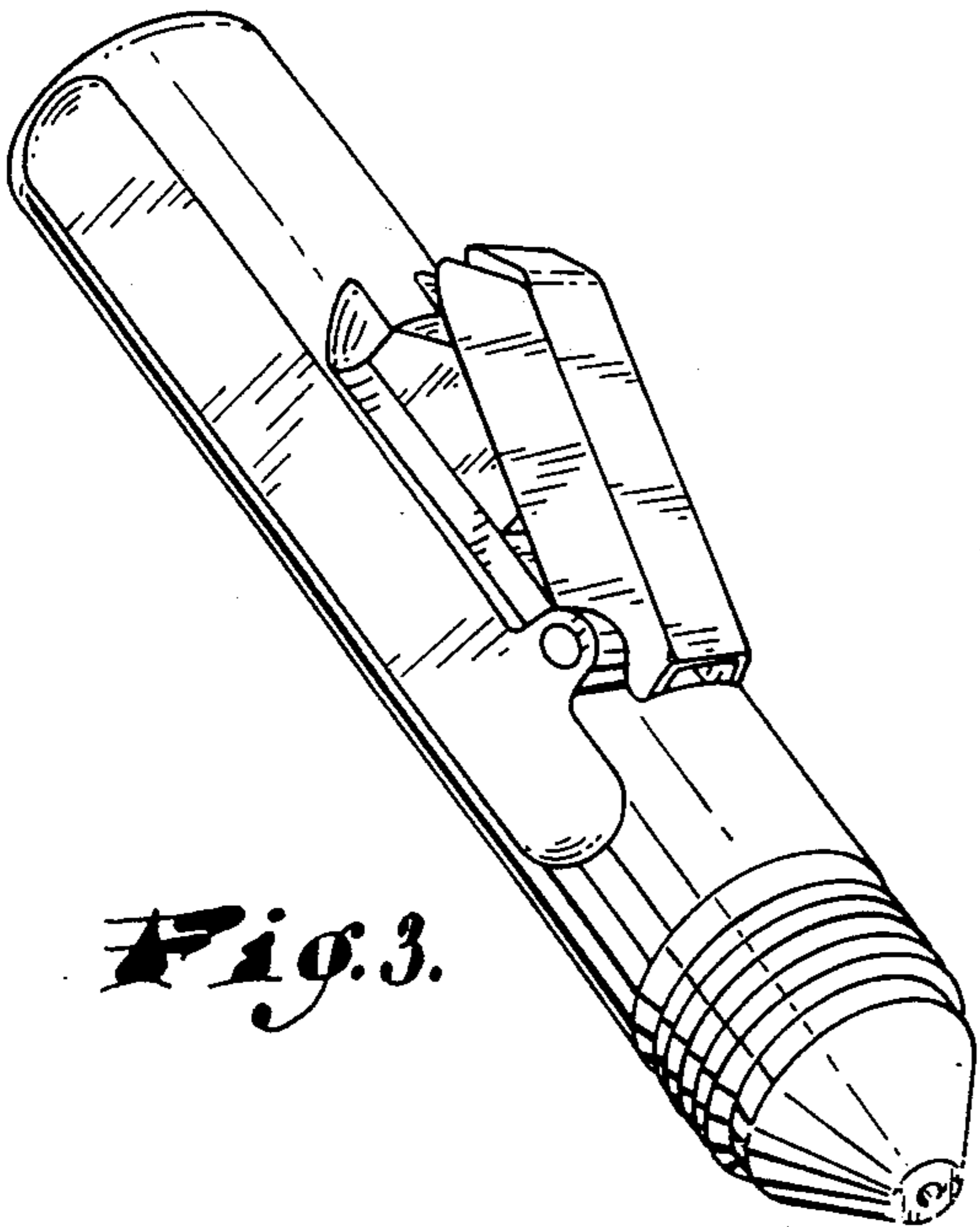




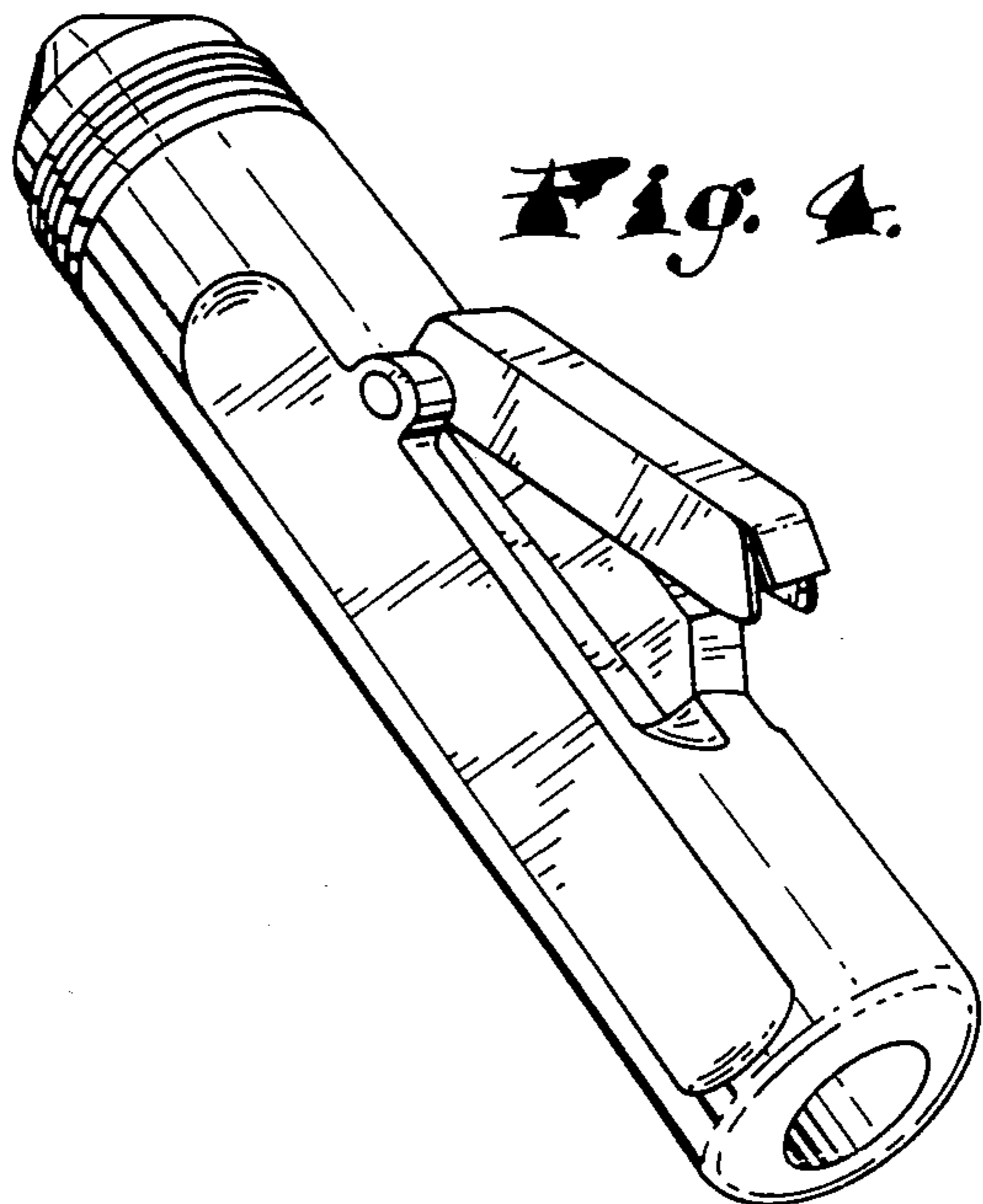
*Fig. 1.*



*Fig. 2.*



*Fig. 3.*



*Fig. 4.*