



US00D333012S

United States Patent [19]

[11] Patent Number: **Des. 333,012**

Fleming

[45] Date of Patent: **** Feb. 2, 1993**

[54] **FLASHLIGHT HOLDER**

2,644,383 7/1953 Meditz 248/229 X
4,214,688 7/1980 Griffin, Jr. 362/296 X

[76] Inventor: **James Fleming, 140 Sherry La.,
Kalispell, Mont. 59901**

Primary Examiner—Susan J. Lucas
Attorney, Agent, or Firm—Wells, St. John, Roberts,
Gregory & Matkin

[**] Term: **14 Years**

[21] Appl. No.: **448,824**

[57] **CLAIM**

[22] Filed: **Dec. 12, 1989**

The ornamental design of a flashlight holder, as shown
and described.

[52] U.S. Cl. **D26/138; D8/349**

[58] Field of Search **D26/138, 140; D8/395,
D8/396, 394, 354, 355, 349, 363, 373, 380, 381;
362/396, 191, 190, 397, 398; 24/545, 546, 547,
561, 562, 563, 564, 565; 248/206.5, 231.2, 231.4,
316.1, 316.7, 313, 309.1**

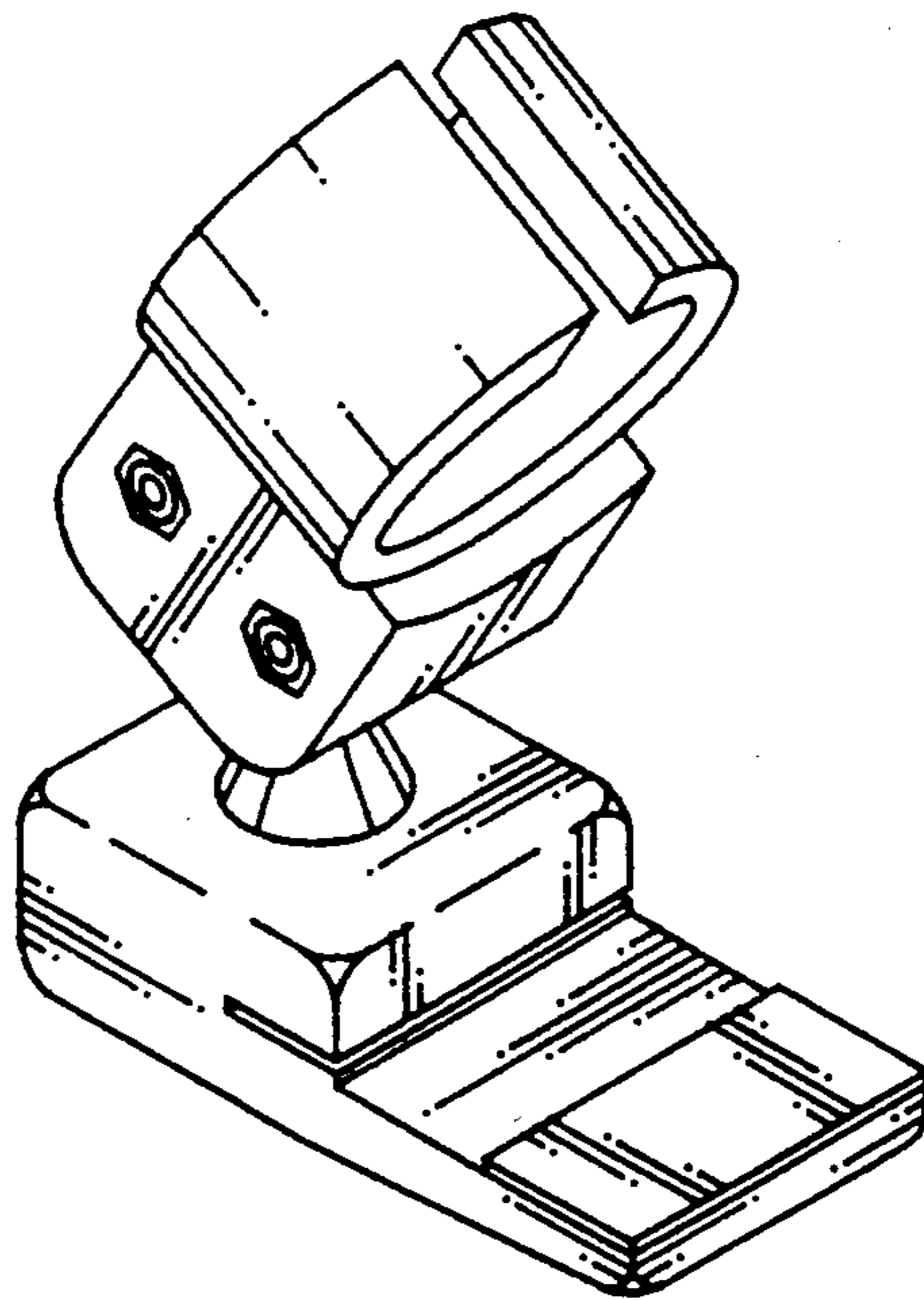
DESCRIPTION

FIG. 1 is a top, rear, right side perspective view of a
flashlight holder showing my design;
FIG. 2 is a right side elevational view thereof;
FIG. 3 is a front end elevational view thereof;
FIG. 4 is a rear end elevational view thereof;
FIG. 5 is a left side elevational view thereof;
FIG. 6 is a top plan view thereof; and,
FIG. 7 is a bottom plan view thereof.

[56] **References Cited**

U.S. PATENT DOCUMENTS

D. 219,573 12/1970 Weiss D8/363



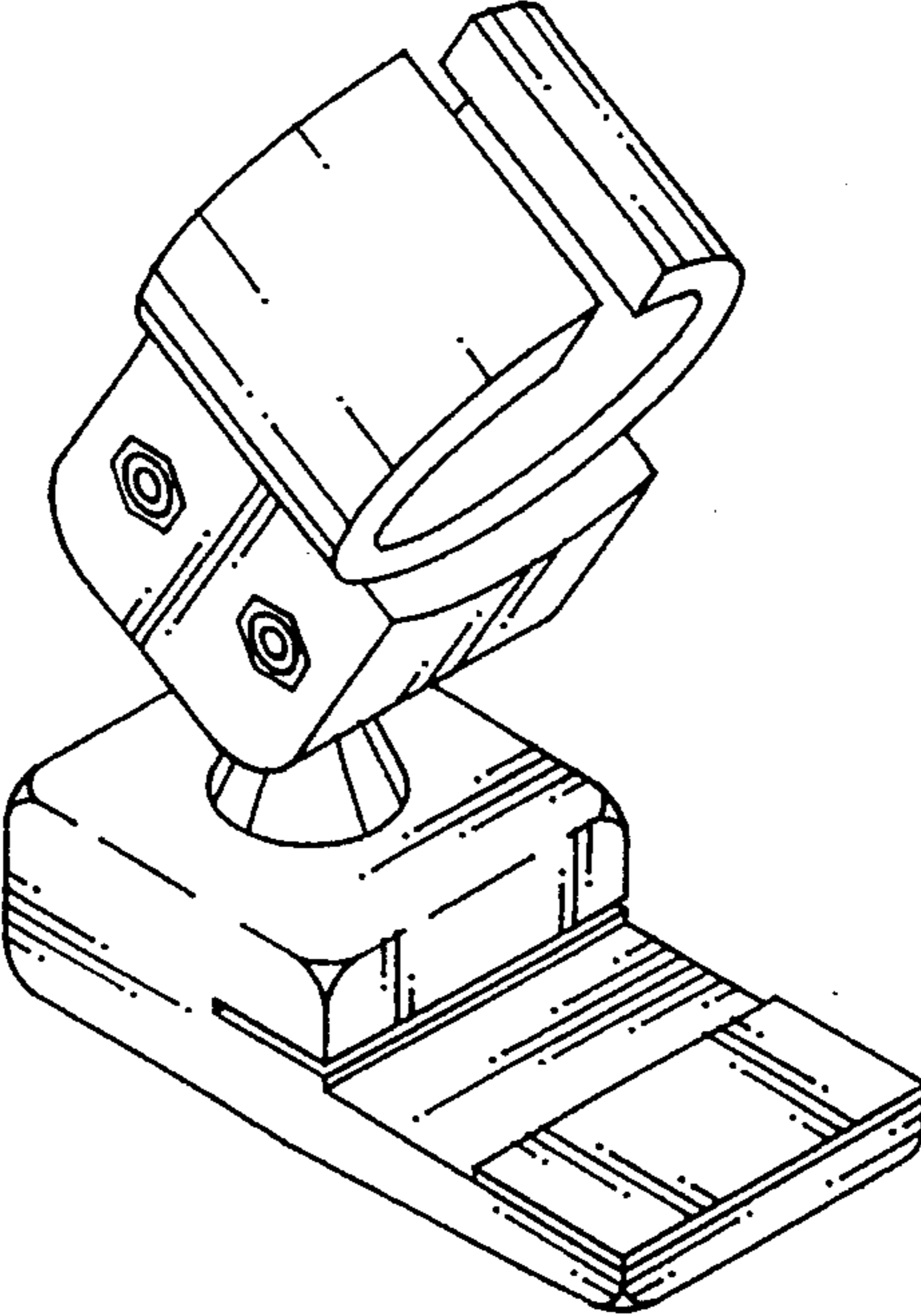


Fig. 1

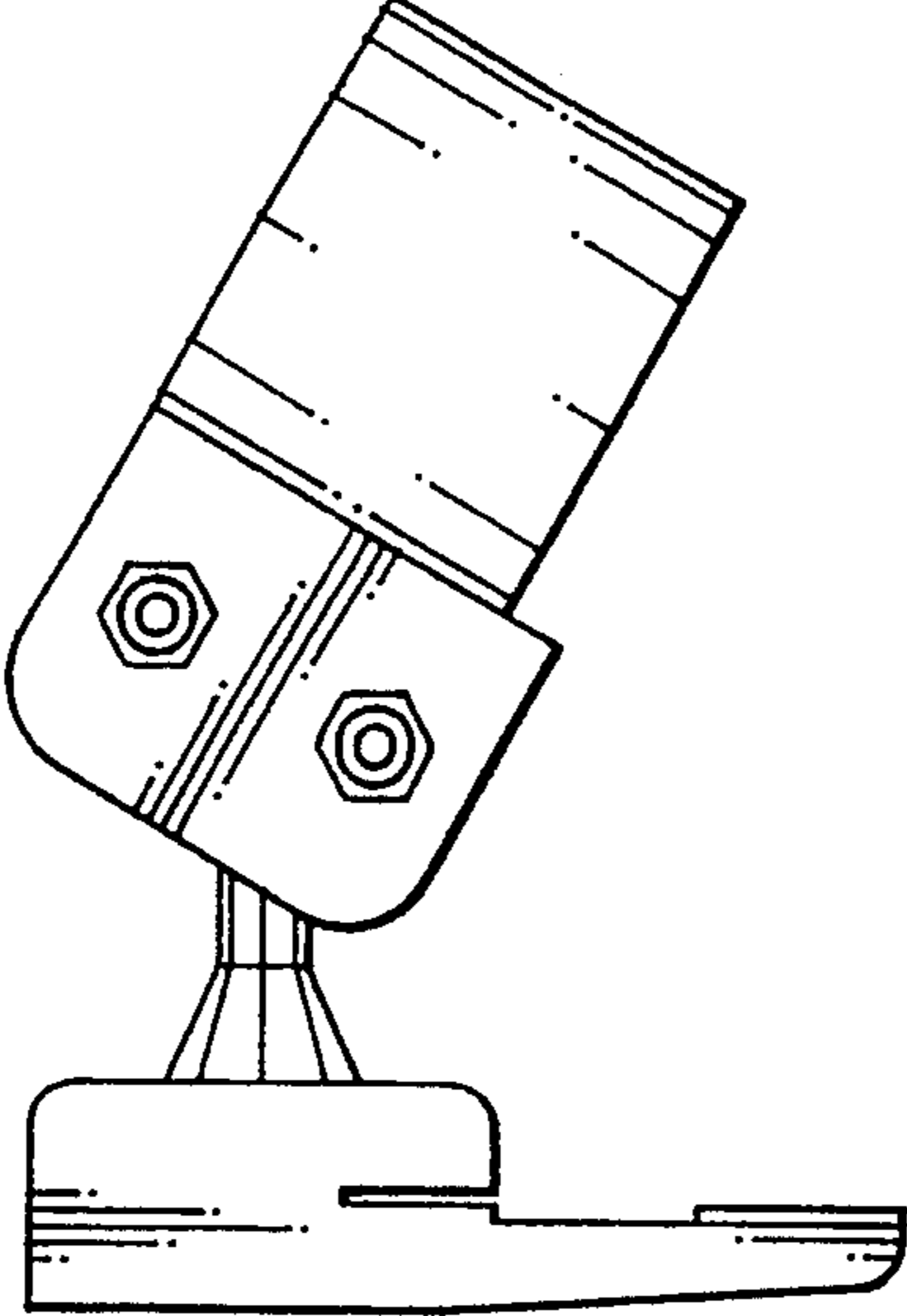
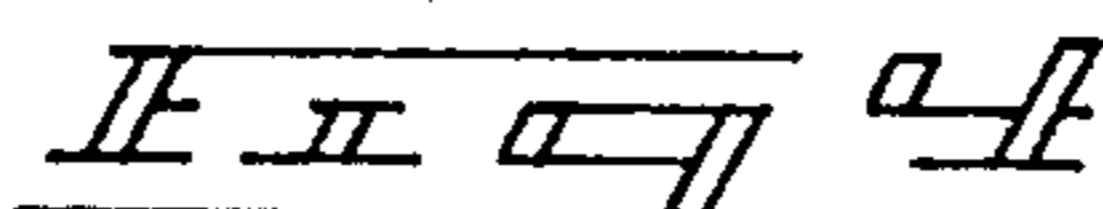
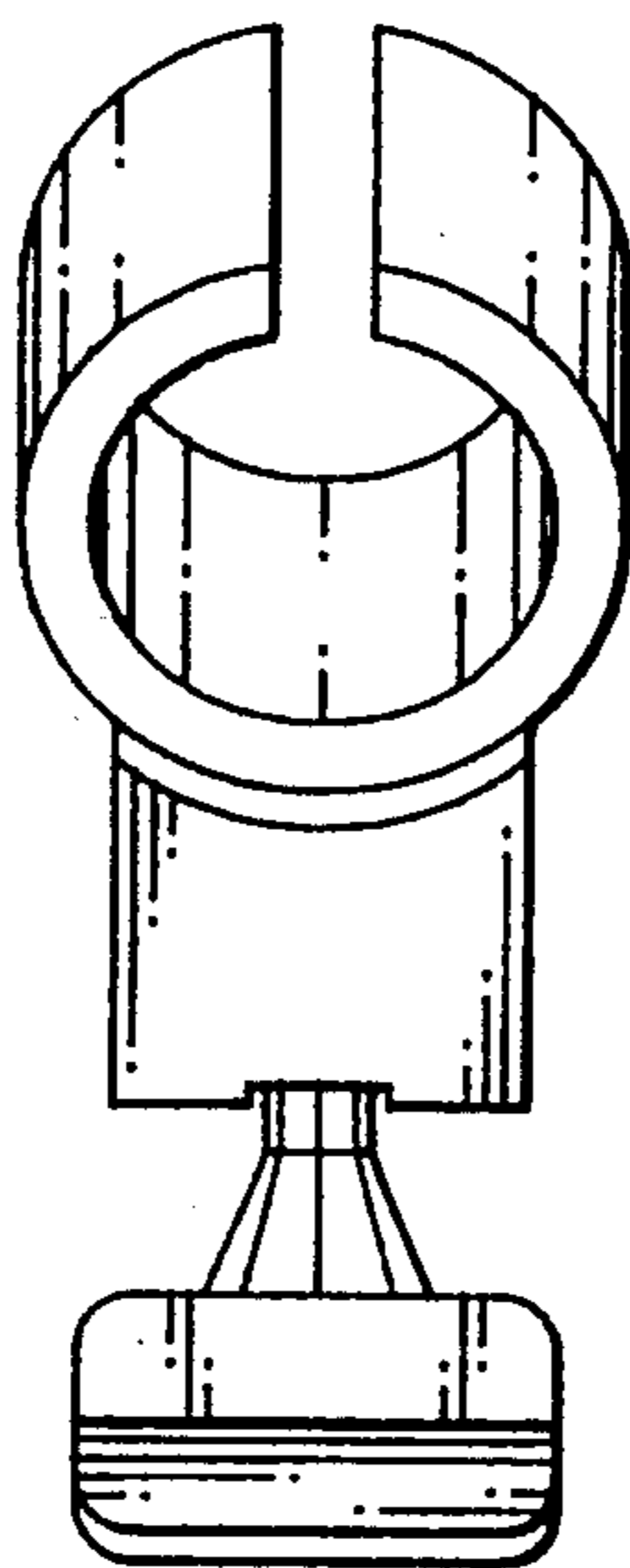
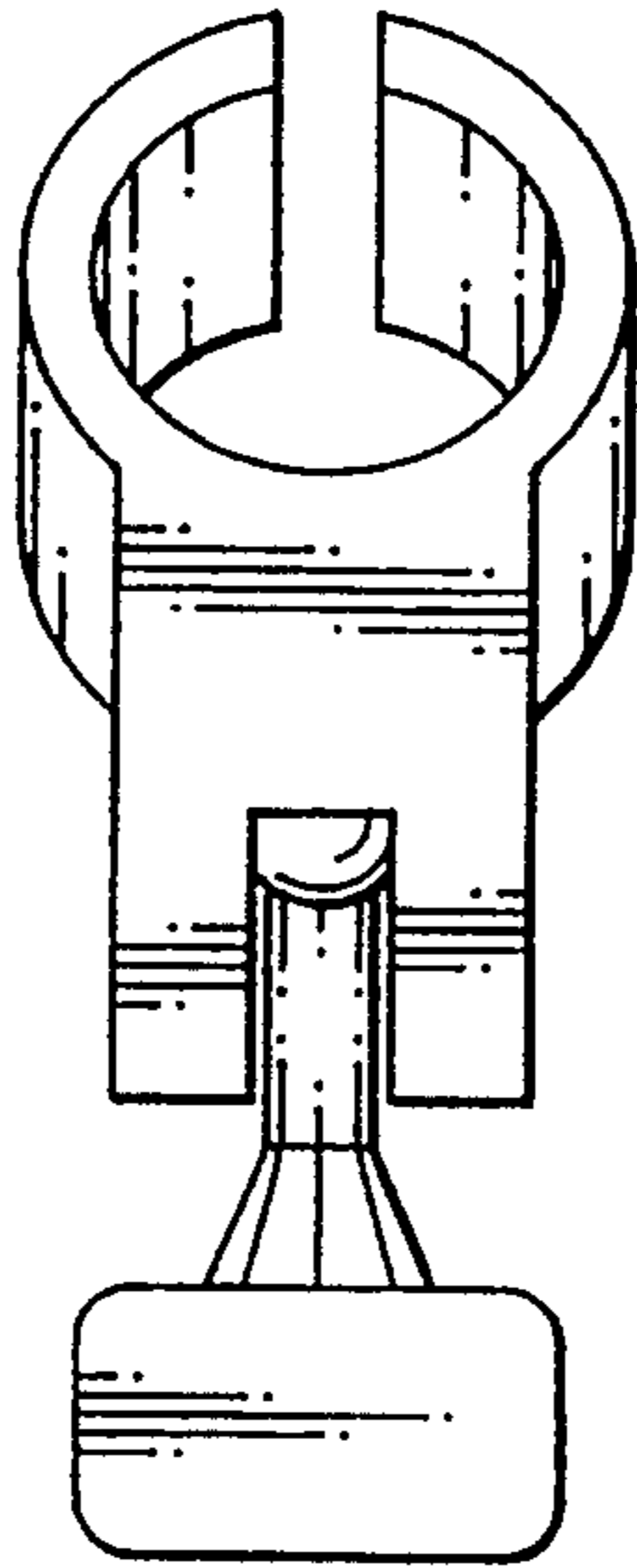
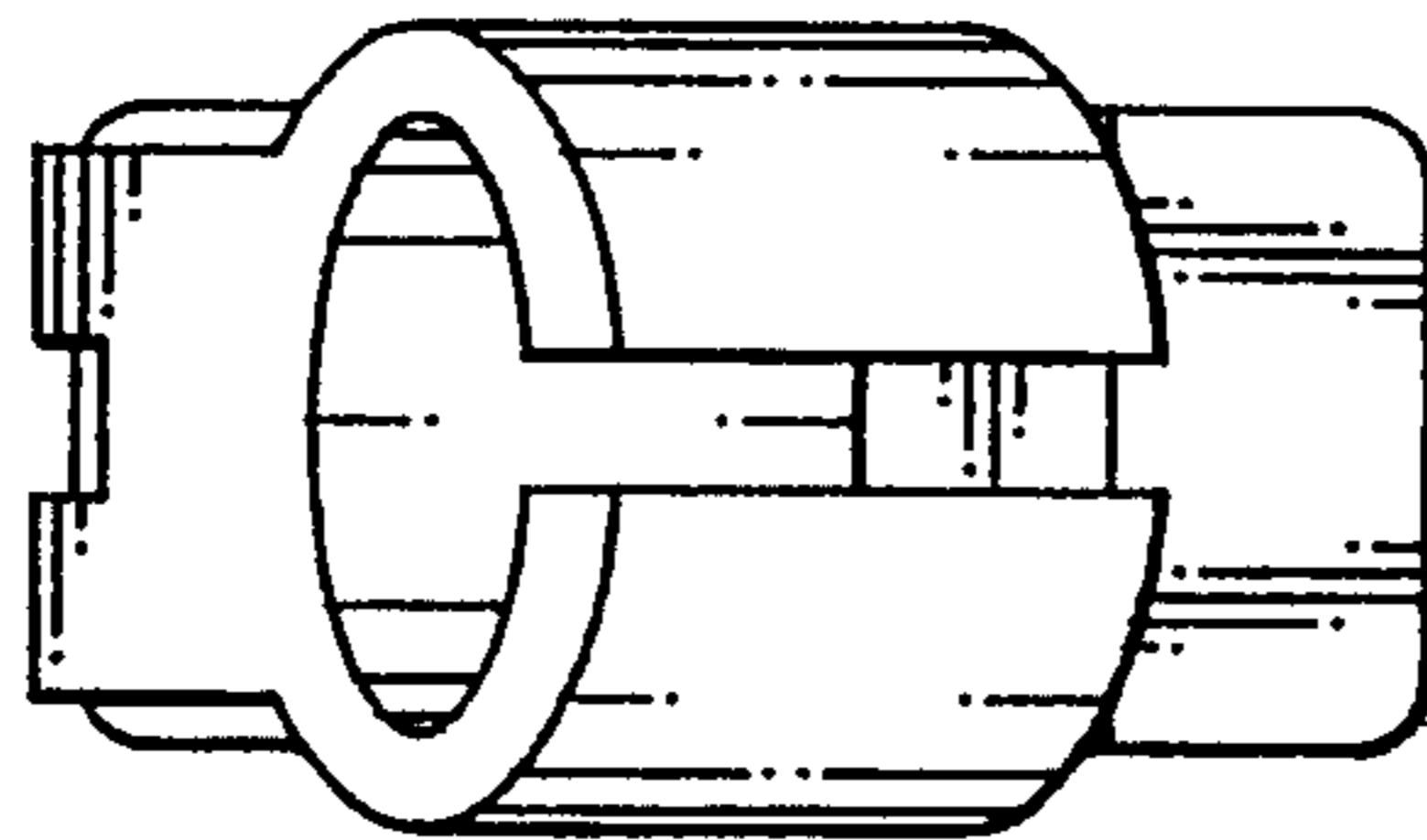
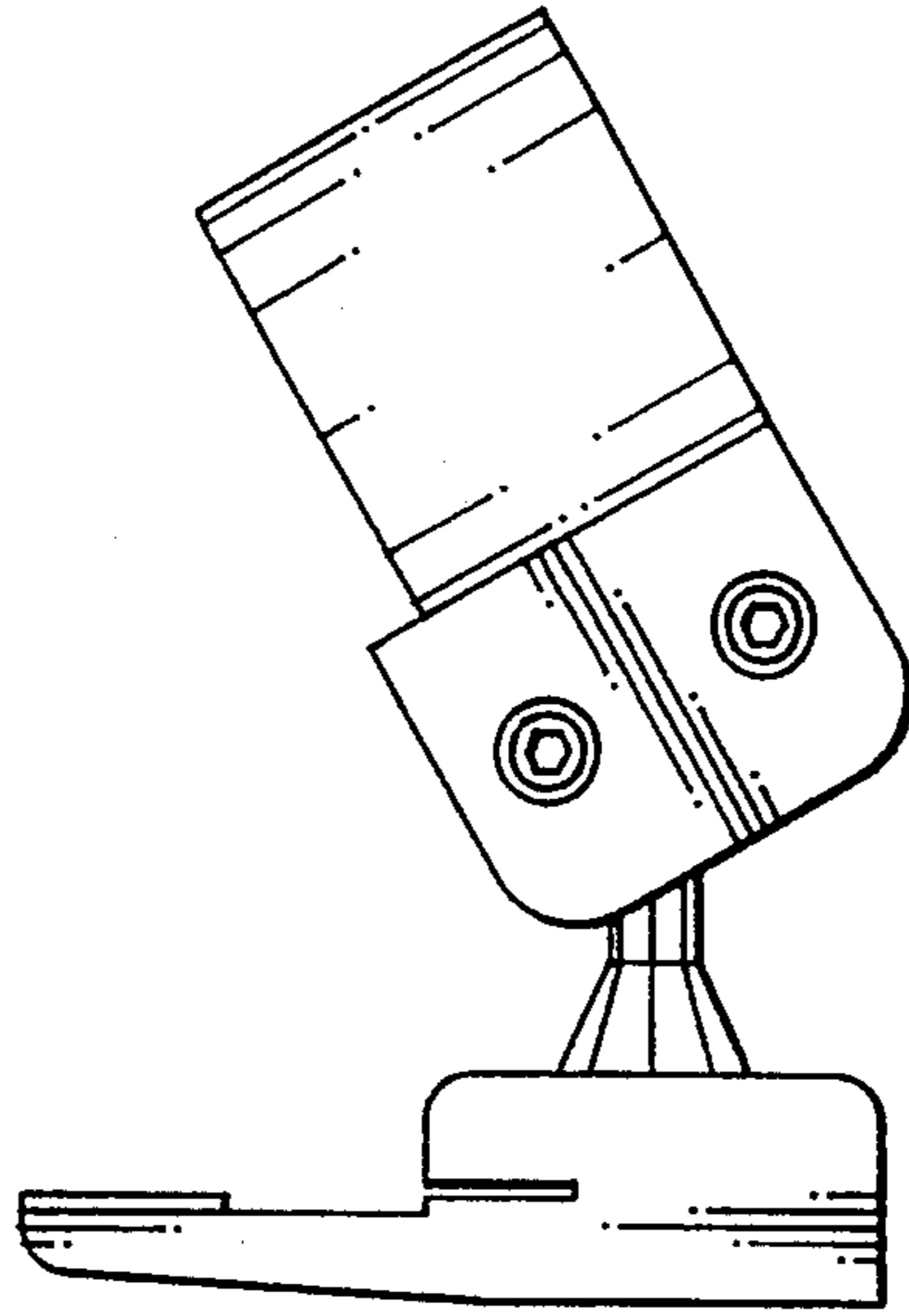


Fig. 2





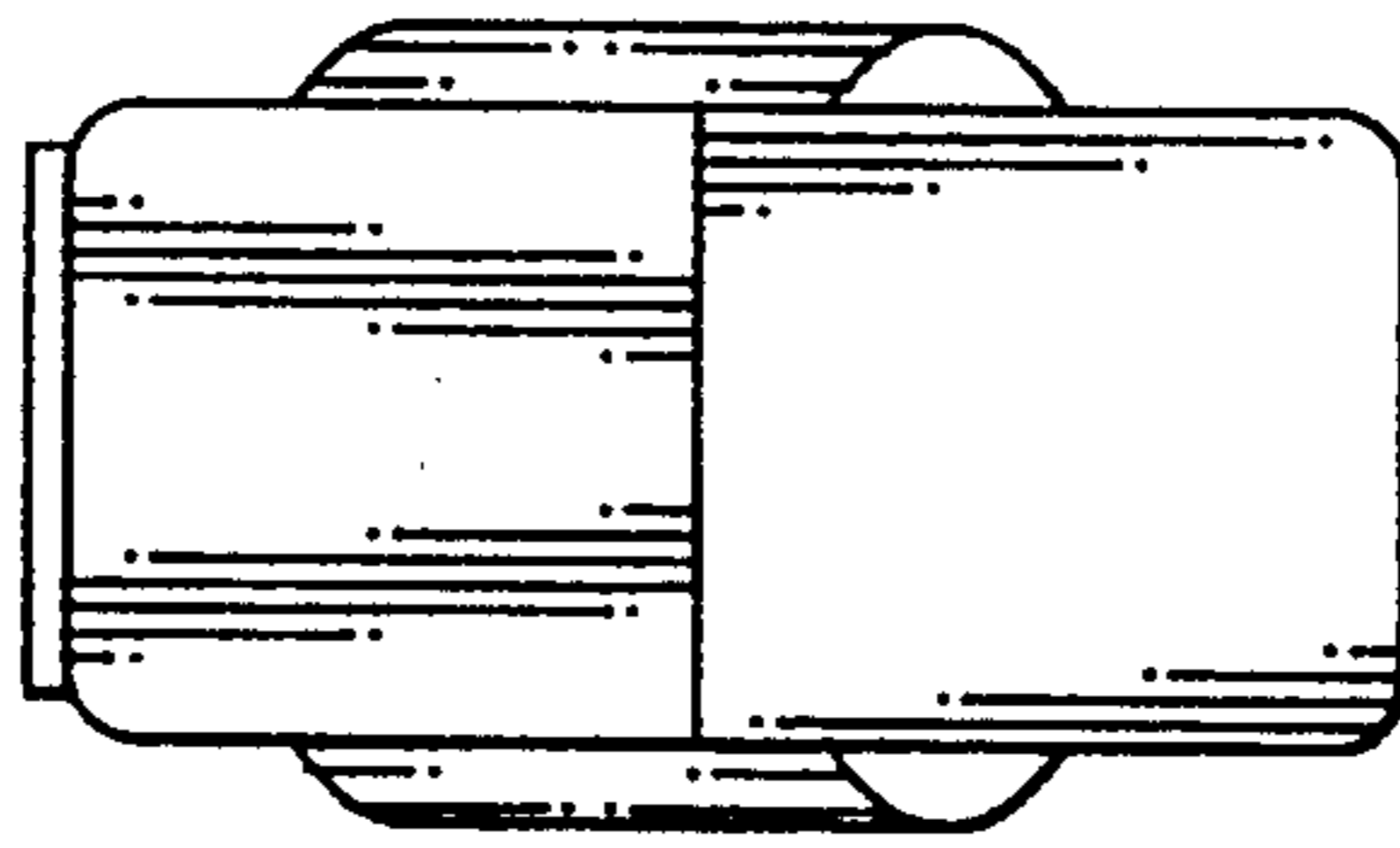


Fig. 4