



US00D333010S

United States Patent [19]

[11] Patent Number: Des. 333,010

Lowe, Sr.

[45] Date of Patent: ** Feb. 2, 1993

[54] **DOORJAMB LIGHT**

Attorney, Agent, or Firm—B. Craig Killough

[76] Inventor: Robert I. Lowe, Sr., Rte. 1, Box 73-C, Islandton, S.C. 29929

[57] **CLAIM**

The ornamental design for a doorjamb light, as shown and described.

[**] Term: 14 Years

DESCRIPTION

[21] Appl. No.: 366,402

[22] Filed: Jun. 15, 1989

[52] U.S. Cl. D26/72; D26/37; D26/85

[58] Field of Search D26/72, 80-92, D26/24, 37-50; 362/147, 362, 432, 154, 155, 156, 86, 87, 88, 100, 157, 158, 183-208

FIG. 1 is a top, front, right side perspective view of a doorjamb light showing my new design;

FIG. 2 is a top, front, left side perspective view thereof on an enlarged scale;

FIG. 3 is a bottom, front, right side perspective view thereof on an enlarged scale;

FIG. 4 is a front elevational view thereof on an enlarged scale;

FIG. 5 is a right side elevational view thereof on an enlarged scale, the left side being a mirror image;

FIG. 6 is a top plan view thereof on an enlarged scale;

FIG. 7 is a bottom plan view thereof on an enlarged scale; and,

FIG. 8 is a bottom, front left side perspective view of a second embodiment of my new design, the second embodiment differing from the first embodiment only in the translucency of the lens.

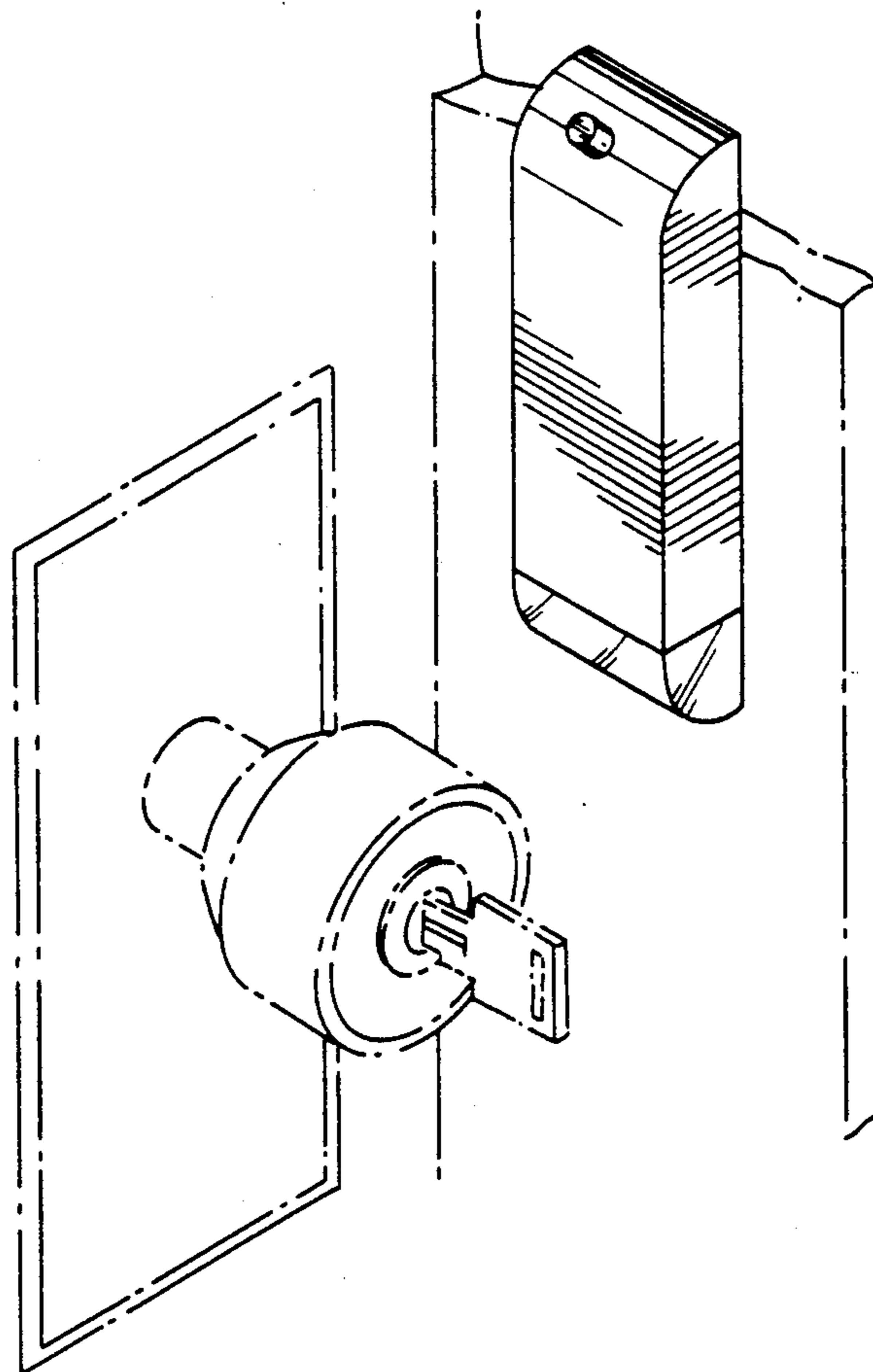
The doorjamb, door, and knob in FIG. 1 and the light bulb in FIGS. 3 and 7 are shown in broken lines for illustrative purposes only.

[56] **References Cited**

U.S. PATENT DOCUMENTS

D. 81,508	7/1930	Trautmann	D26/87 X
D. 162,323	3/1951	Lightfoot	D26/72
D. 173,729	12/1954	Helms	D26/85 X
D. 288,724	3/1987	Yakubek	D26/46
D. 298,658	11/1988	Roberts et al.	D26/37
D. 298,860	12/1988	Witte	D26/46
2,007,101	7/1935	Vonderembse	362/200
2,480,223	8/1949	Costanzo	362/196
2,904,671	9/1959	Johnston	362/100

Primary Examiner—Susan J. Lucas



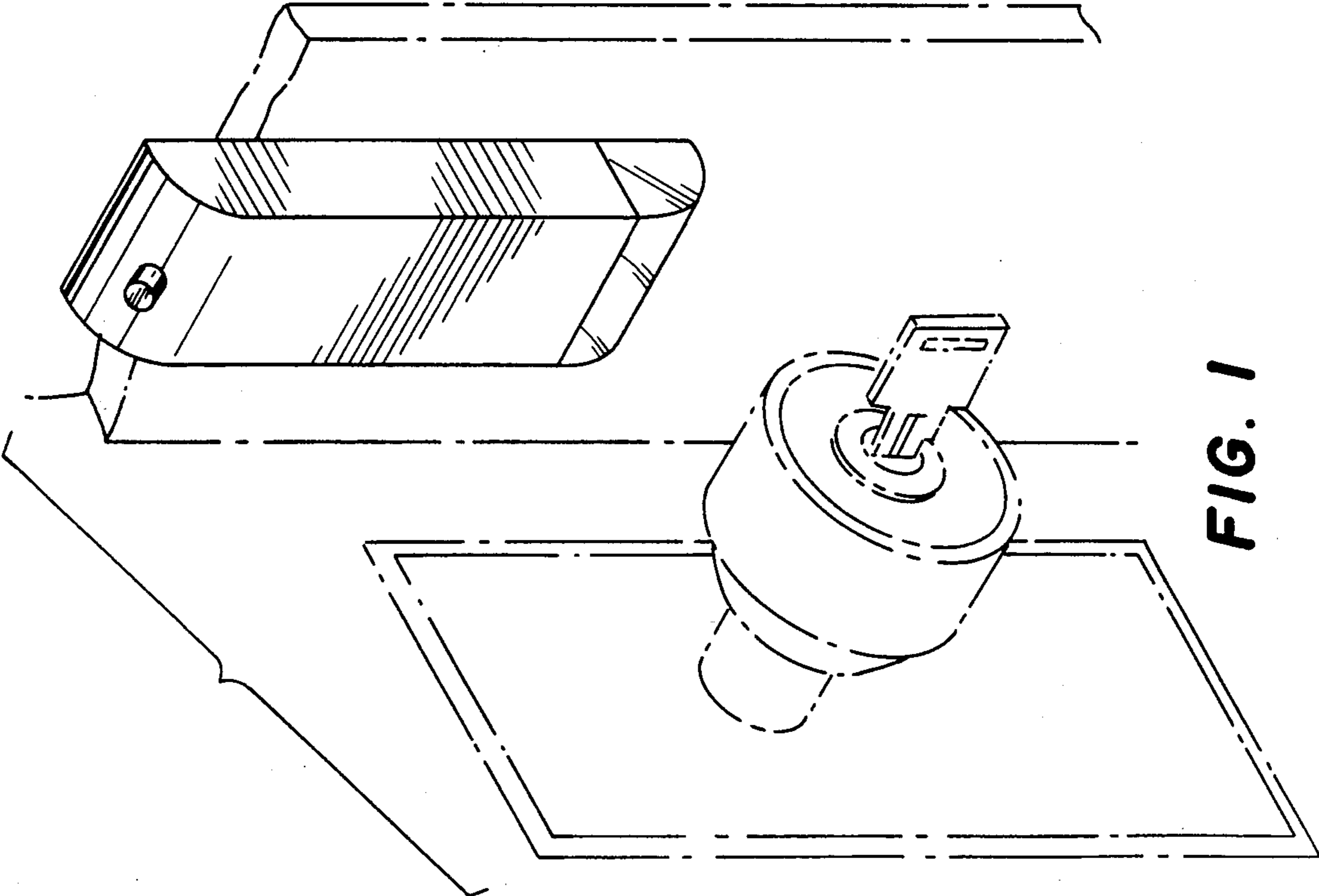


FIG. 1

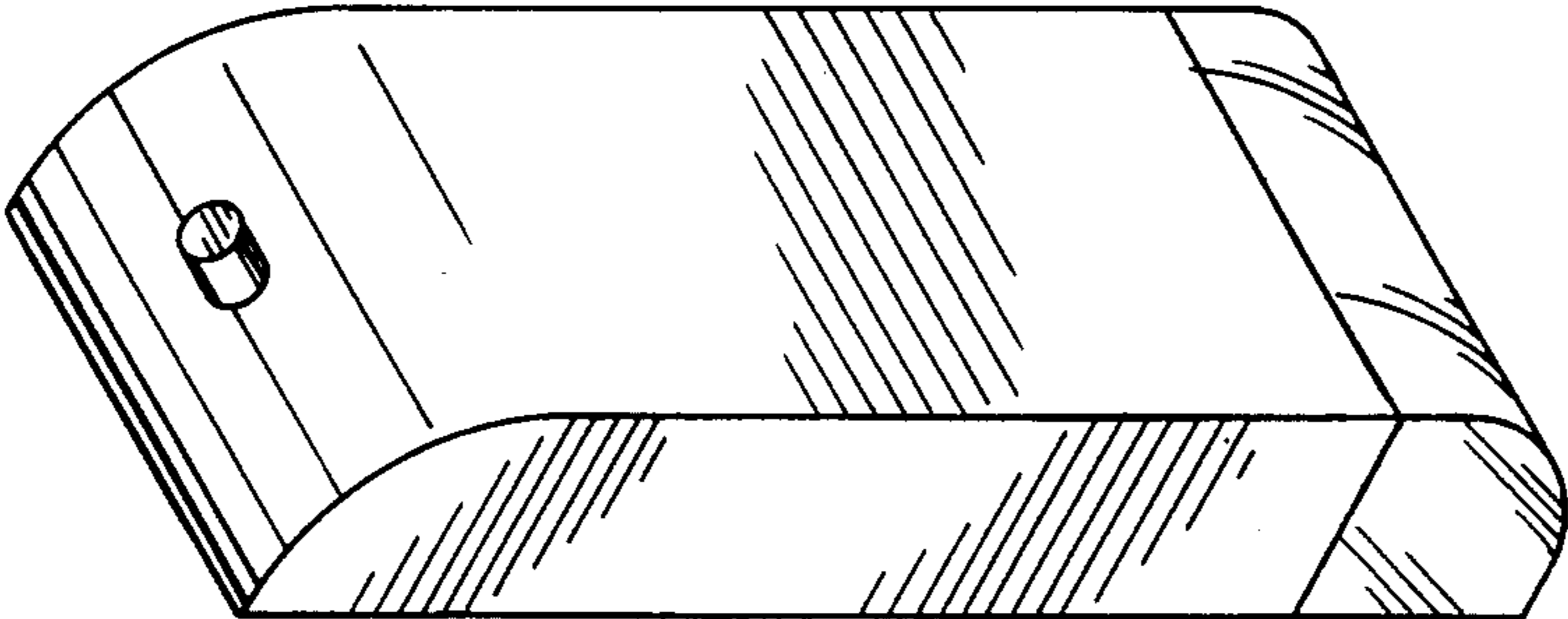


FIG. 2

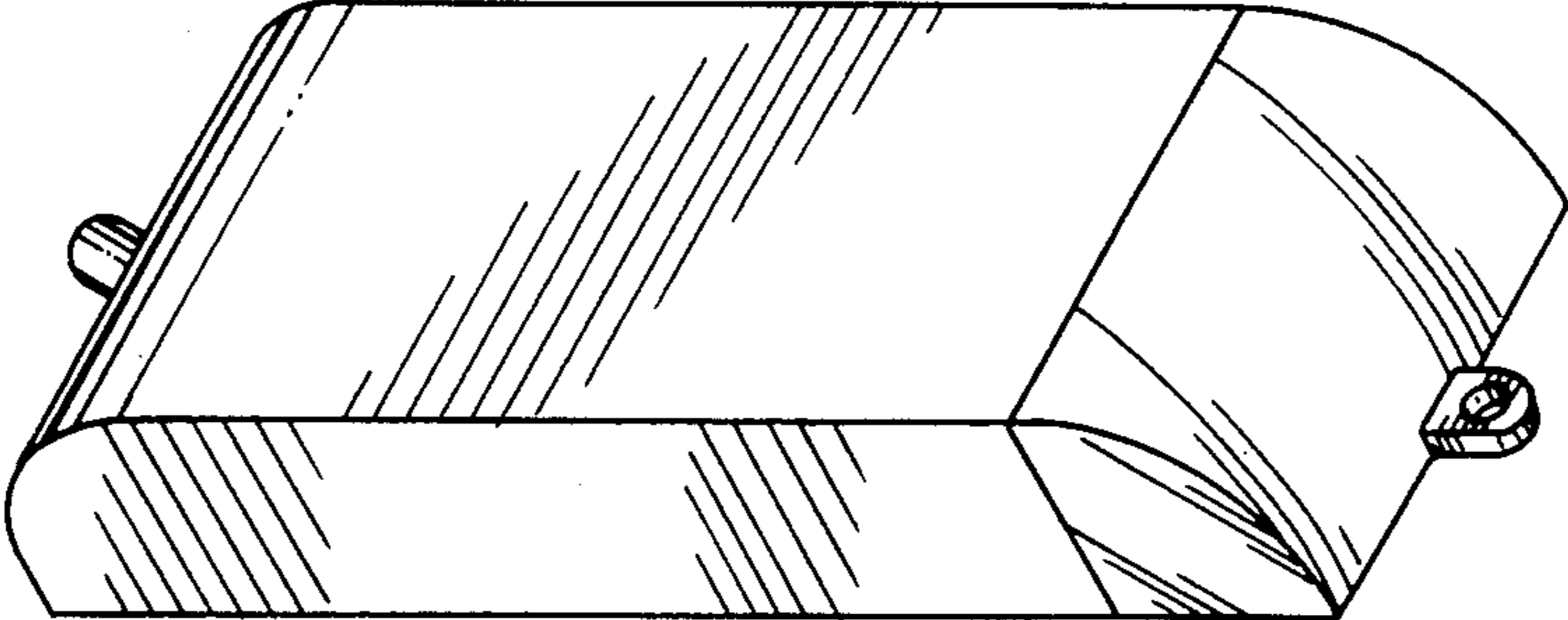


FIG. 3

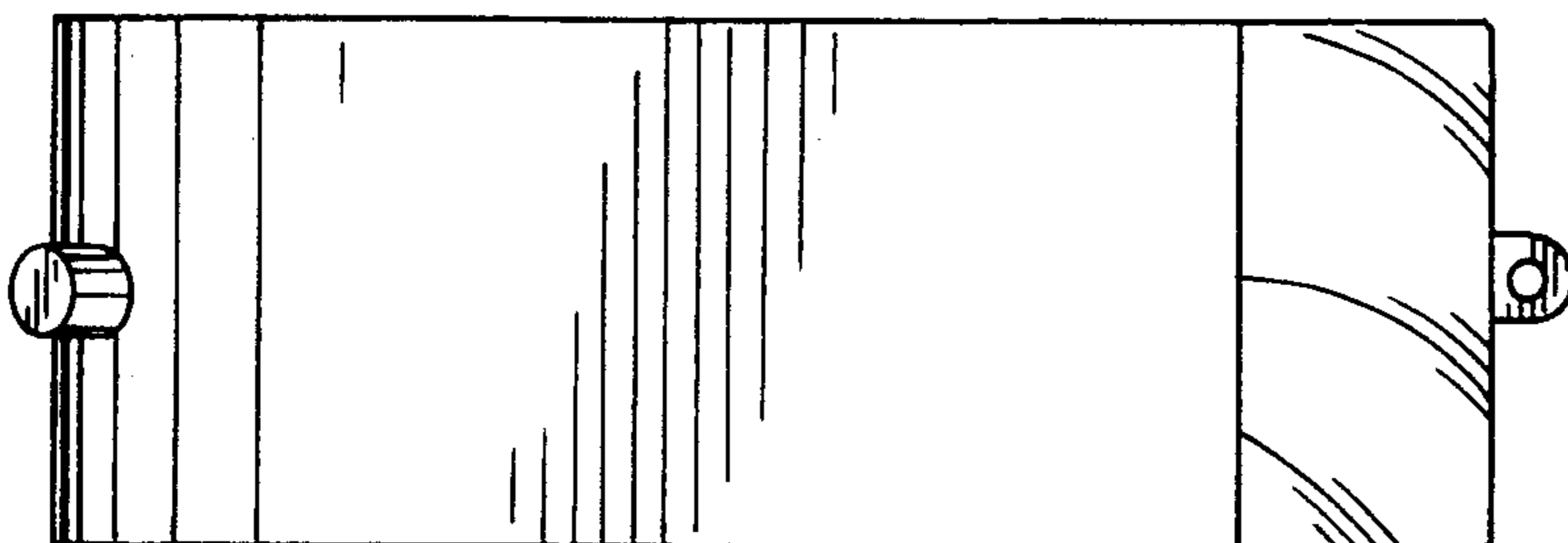


FIG. 4

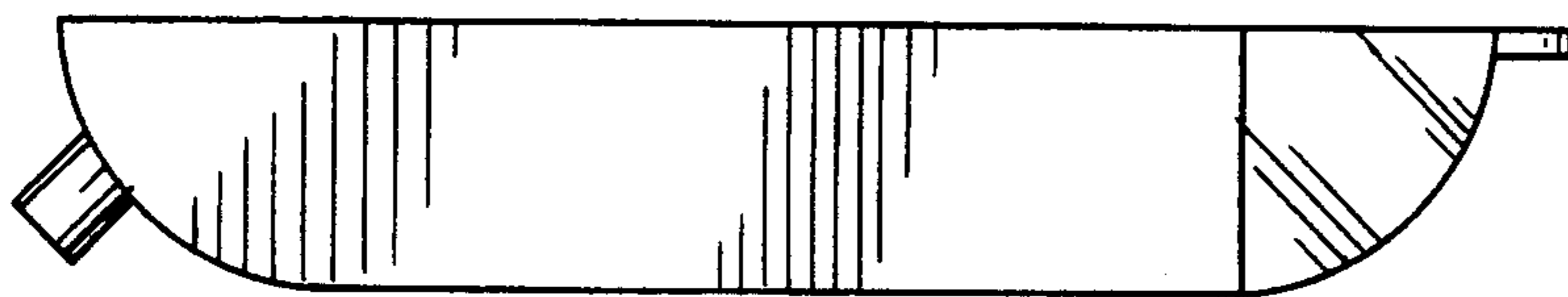


FIG. 5

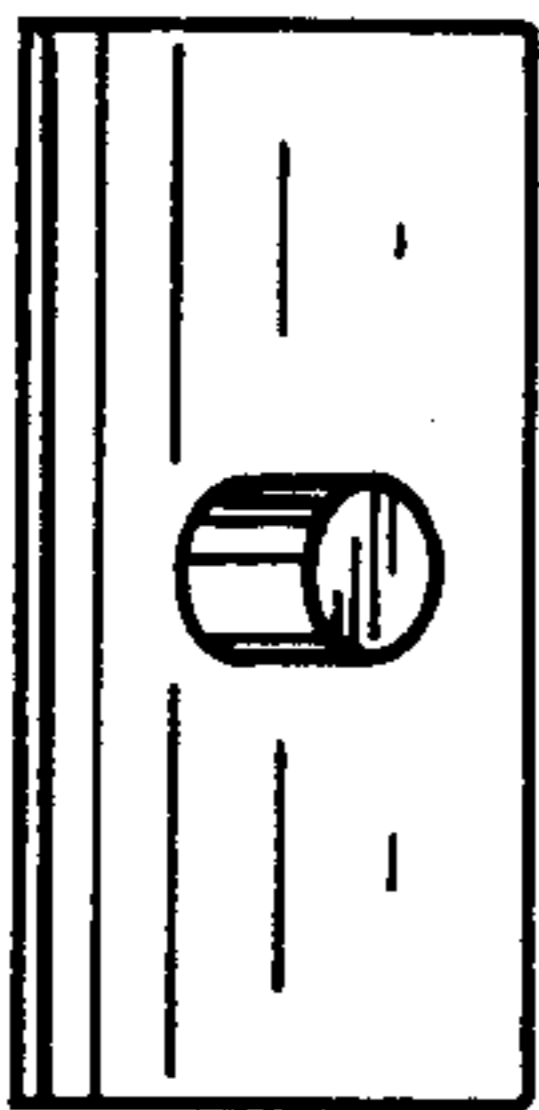


FIG. 6

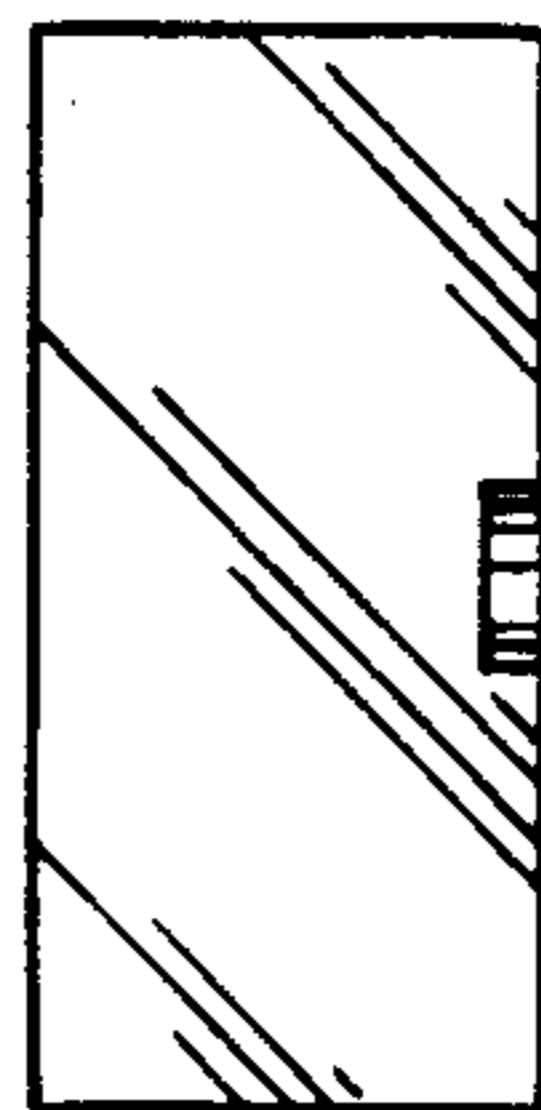


FIG. 7

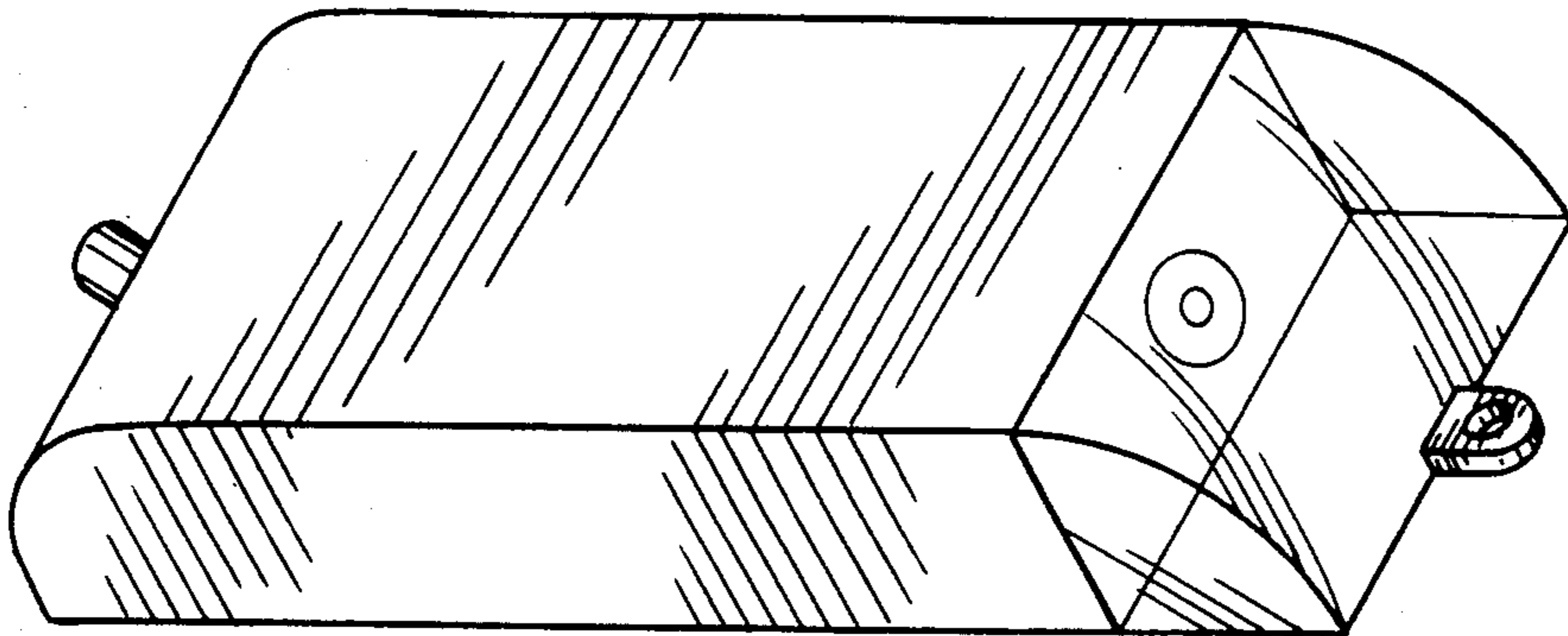


FIG. 8