



US00D333007S

# United States Patent [19]

[11] Patent Number: **Des. 333,007**

**LaBarbera**

[45] Date of Patent: **\*\* Feb. 2, 1993**

[54] **CLINICAL ANALYZER**

[75] Inventor: **Angelo LaBarbera, Honeoye, N.Y.**

[73] Assignee: **Eastman Kodak Company, Rochester, N.Y.**

[\*\*] Term: **14 Years**

[21] Appl. No.: **628,755**

[22] Filed: **Dec. 17, 1990**

[52] U.S. Cl. .... **D24/232; D24/231; D24/216; D10/81**

[58] Field of Search ..... **D24/216, 231, 232; D10/81; 422/63, 64, 66, 67, 68, 100, 99, 65; 436/43; 356/244, 246**

[56] **References Cited**

**U.S. PATENT DOCUMENTS**

- D. 264,873 6/1982 Olson et al. .... D10/81
- D. 282,203 1/1986 Leonard et al. .... D10/81
- D. 298,854 12/1988 Kame et al. .... D24/186
- D. 319,307 8/1991 Sakagami et al. .... D24/232

- D. 320,443 10/1991 Yokoyama et al. .... D24/231
- 4,625,731 12/1986 Quedens et al. .... D24/160 X

*Primary Examiner—Stella Reid  
Assistant Examiner—Ian Simmons  
Attorney, Agent, or Firm—Mark Z. Dudley; Dennis R. Arndt*

[57] **CLAIM**

The ornamental design for a clinical analyzer, as shown and described.

**DESCRIPTION**

FIG. 1 is a front elevational view of a clinical analyzer, showing my new design;

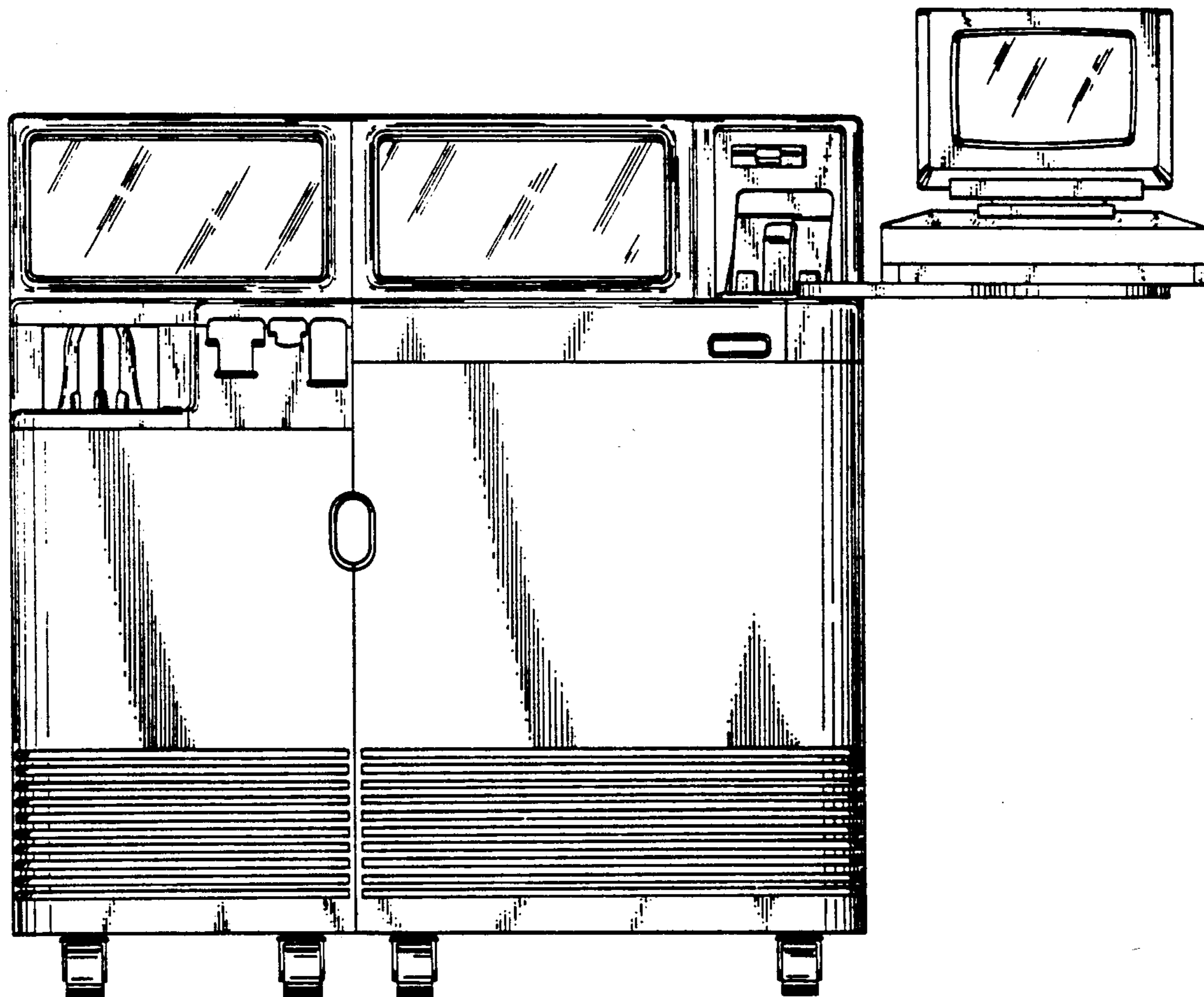
FIG. 2 is a top plan view thereof the bottom plan view being plain and unornamented;

FIG. 3 is a right side elevational view thereof;

FIG. 4 is a left side elevational view thereof; and,

FIG. 5 is a rear elevational view thereof.

The broken line showing of the details in FIG. 2 is for illustrative purposes only and forms no part of the claimed design.



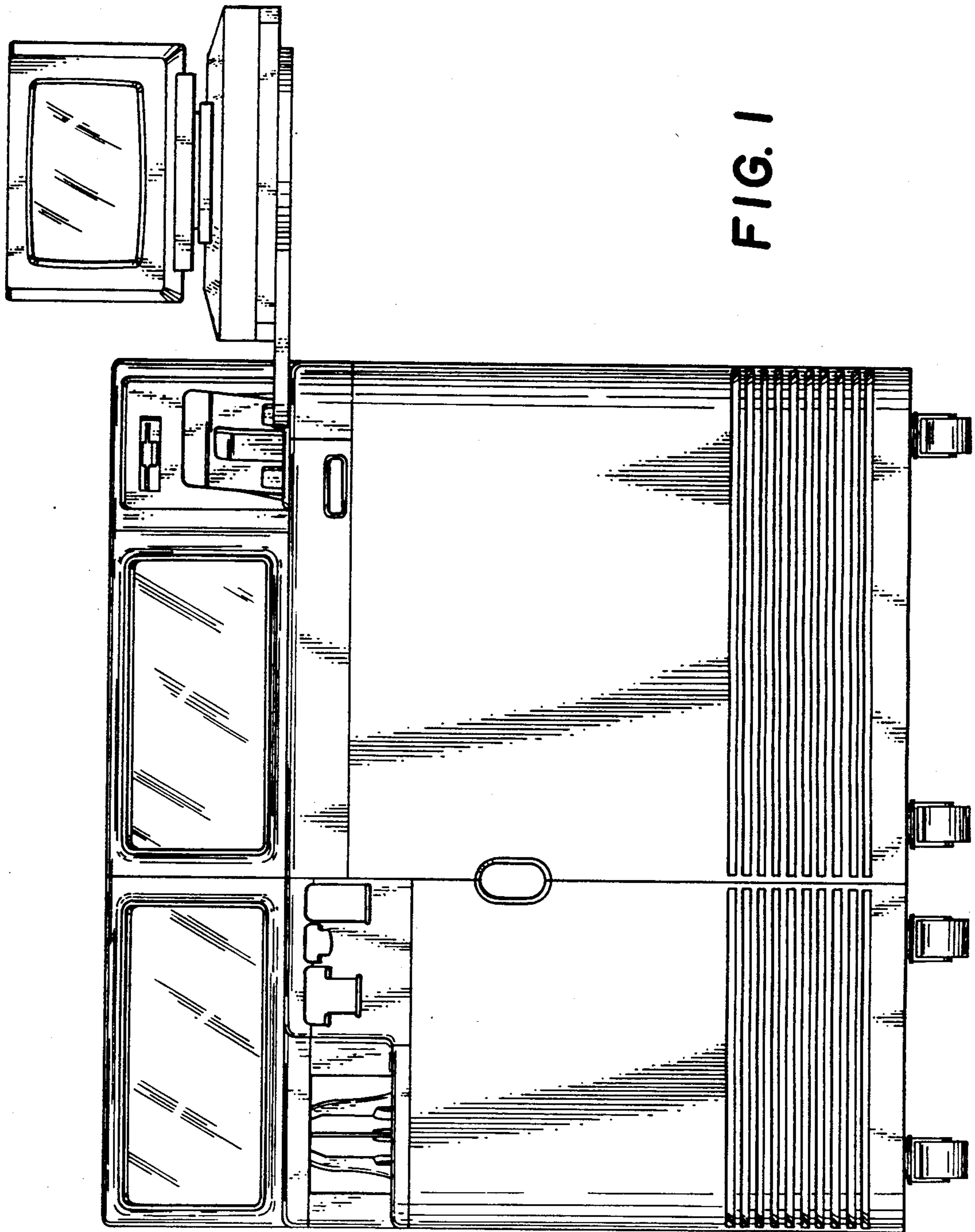


FIG. 1

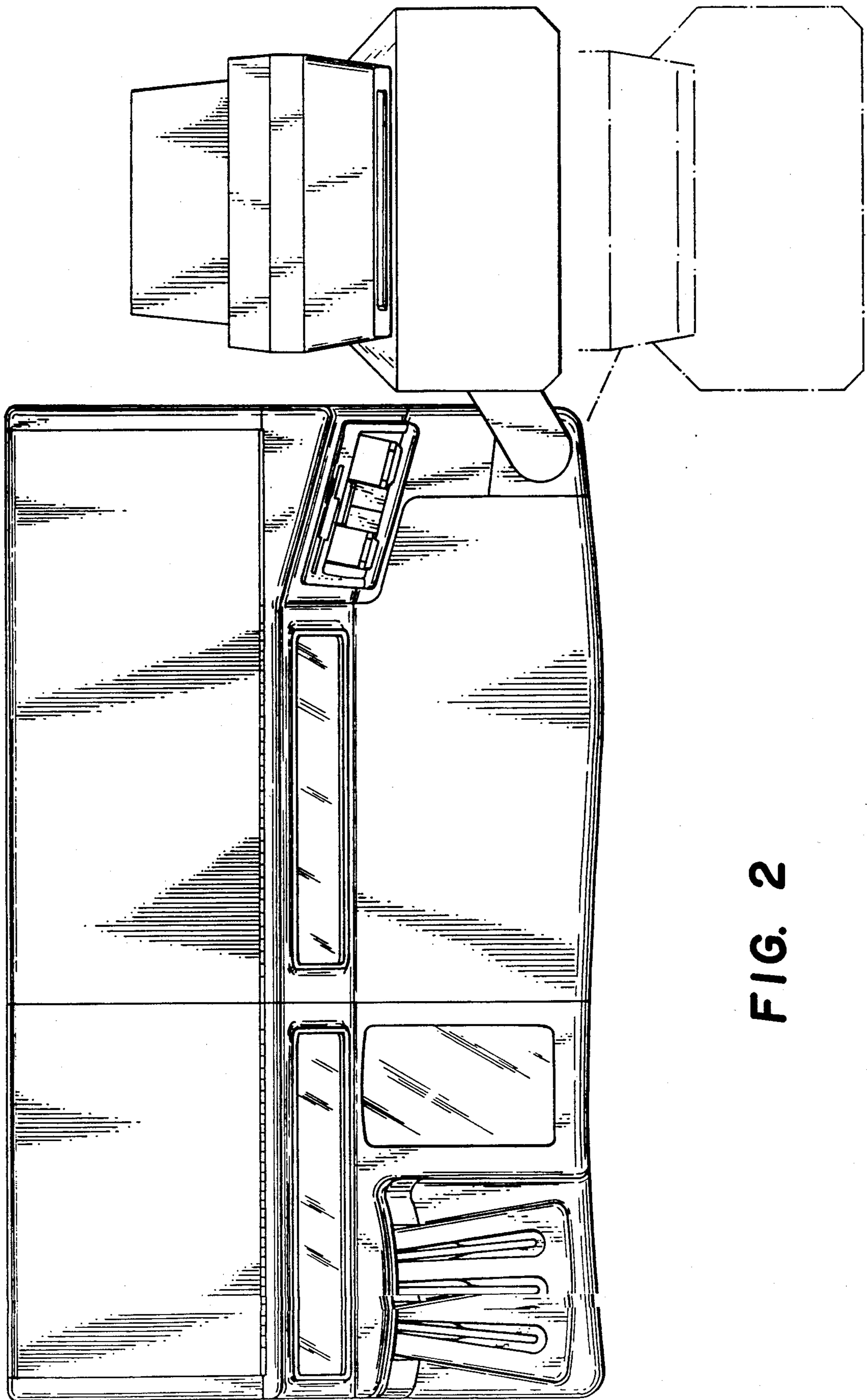


FIG. 2

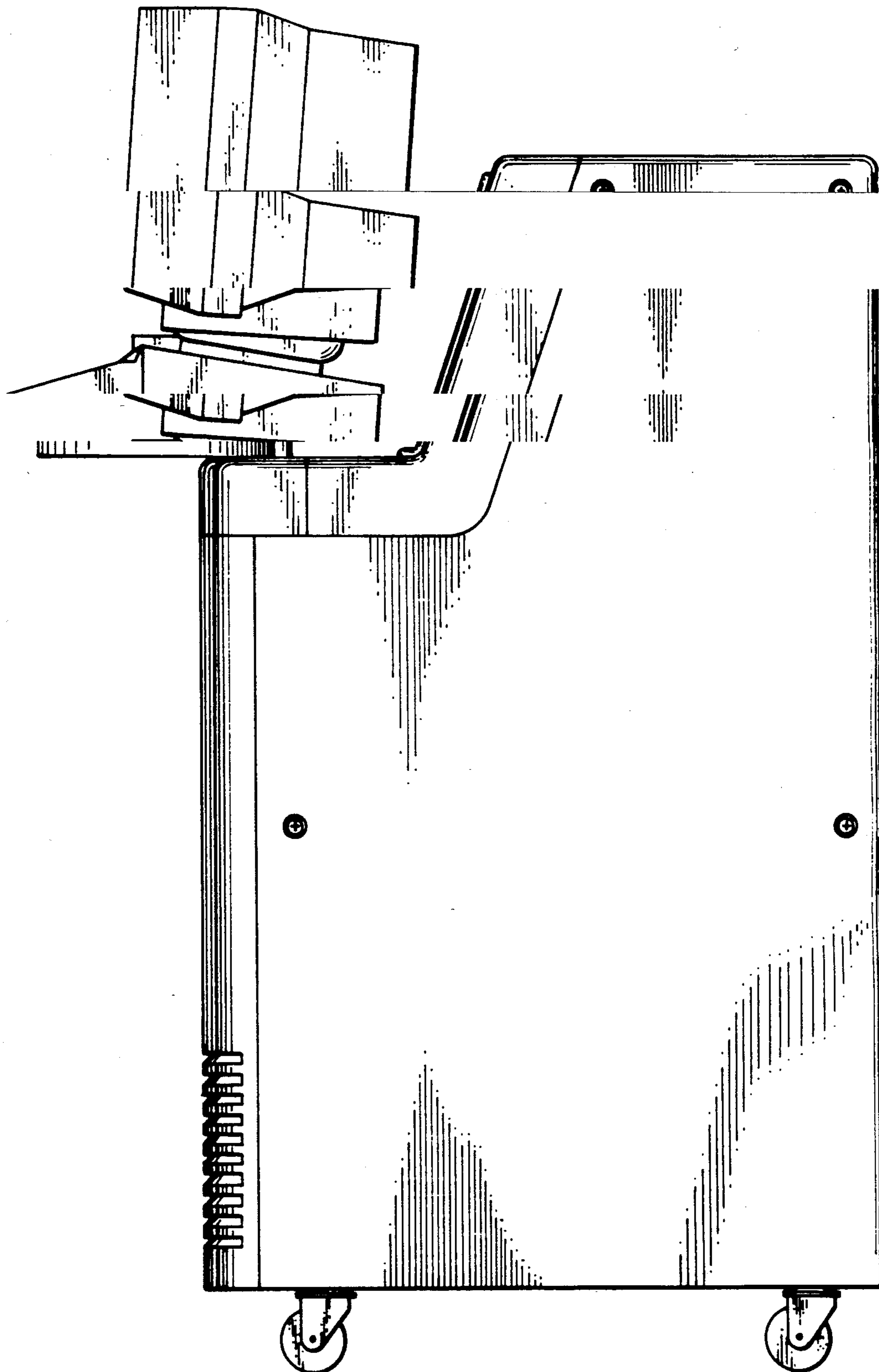


FIG. 3

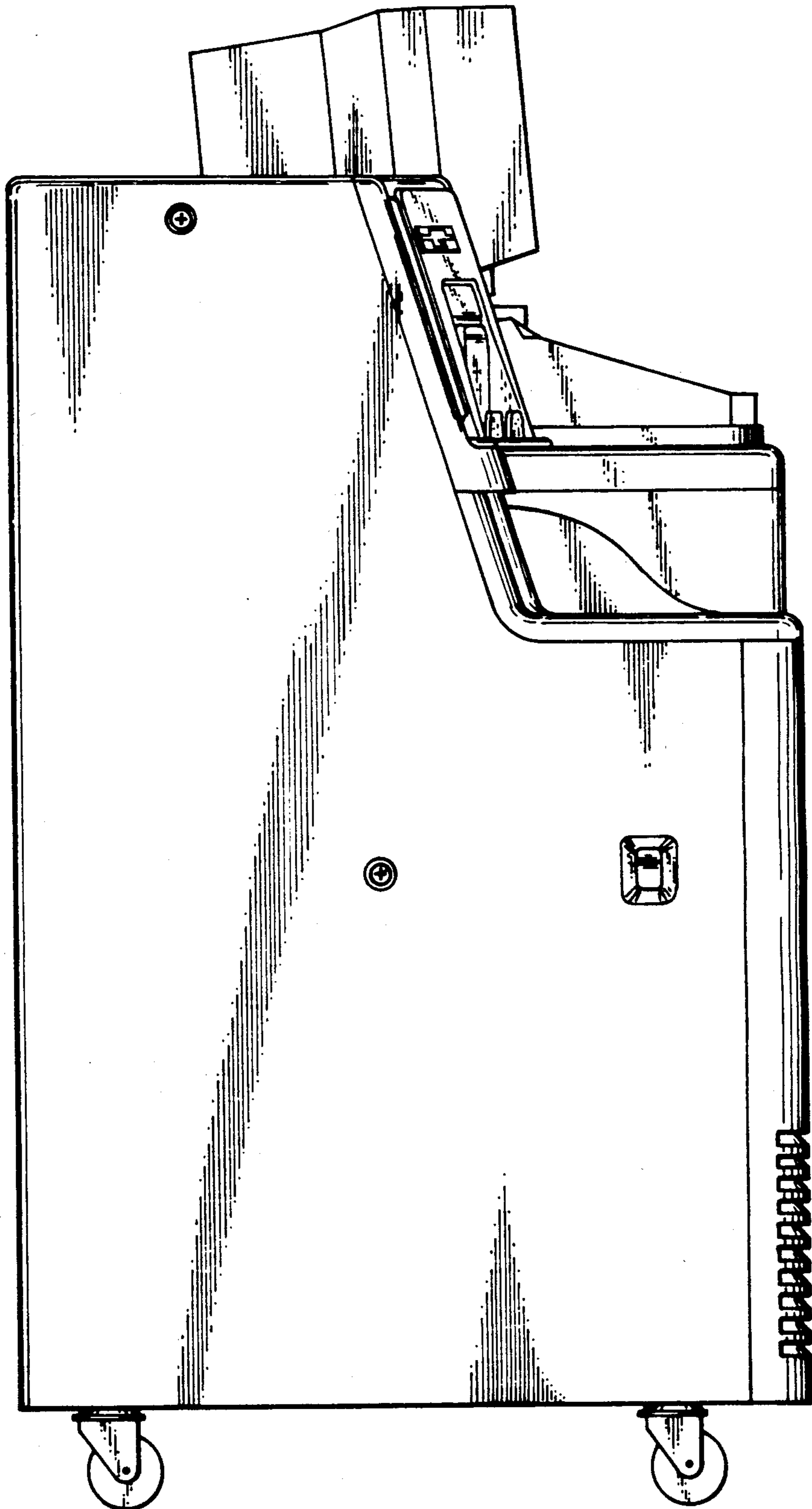


FIG. 4

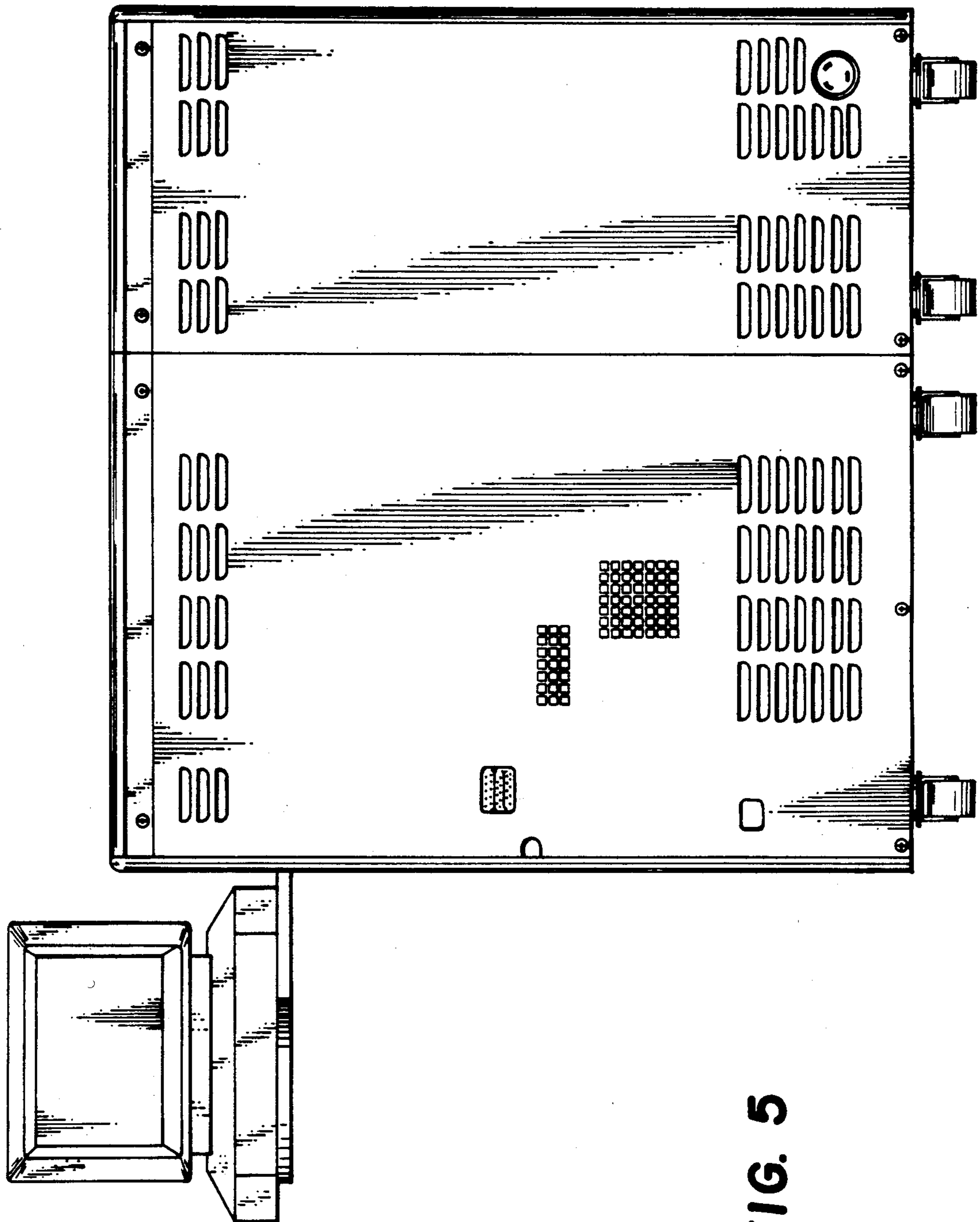


FIG. 5