



US00D333003S

**United States Patent** [19]  
**Chettleburgh**

[11] **Patent Number: Des. 333,003**

[45] **Date of Patent: \*\* Feb. 2, 1993**

[54] **NEEDLE HEAD FOR A BIOPSY CANNULA**

[75] **Inventor: Kenneth E. Chettleburgh, Sparta, Mich.**

[73] **Assignee: DLP, Inc., Grand Rapids, Mich.**

[\*\*] **Term: 14 Years**

[21] **Appl. No.: 560,327**

[22] **Filed: Jul. 31, 1990**

[52] **U.S. Cl. .... D24/146; D24/112; D24/130**

[58] **Field of Search ..... D24/146, 147, 133, 112, D24/130; 128/753, 754; 606/184, 158**

[56] **References Cited**

**U.S. PATENT DOCUMENTS**

D. 306,070	2/1990	Akerfeldt	.....	D24/147
D. 309,014	7/1990	Akerfeldt	.....	D24/146
2,850,007	5/1956	Lingley	.....	128/754
3,454,006	1/1966	Langdon	.....	D24/112 X
4,609,370	9/1986	Morrison	.....	128/754 X
4,699,154	7/1986	Lindgren	.....	128/754
4,721,506	1/1988	Teves	.....	128/158 X
5,121,751	6/1992	Panalletta	.....	128/754

**FOREIGN PATENT DOCUMENTS**

1175889 11/1958 France ..... D24/112

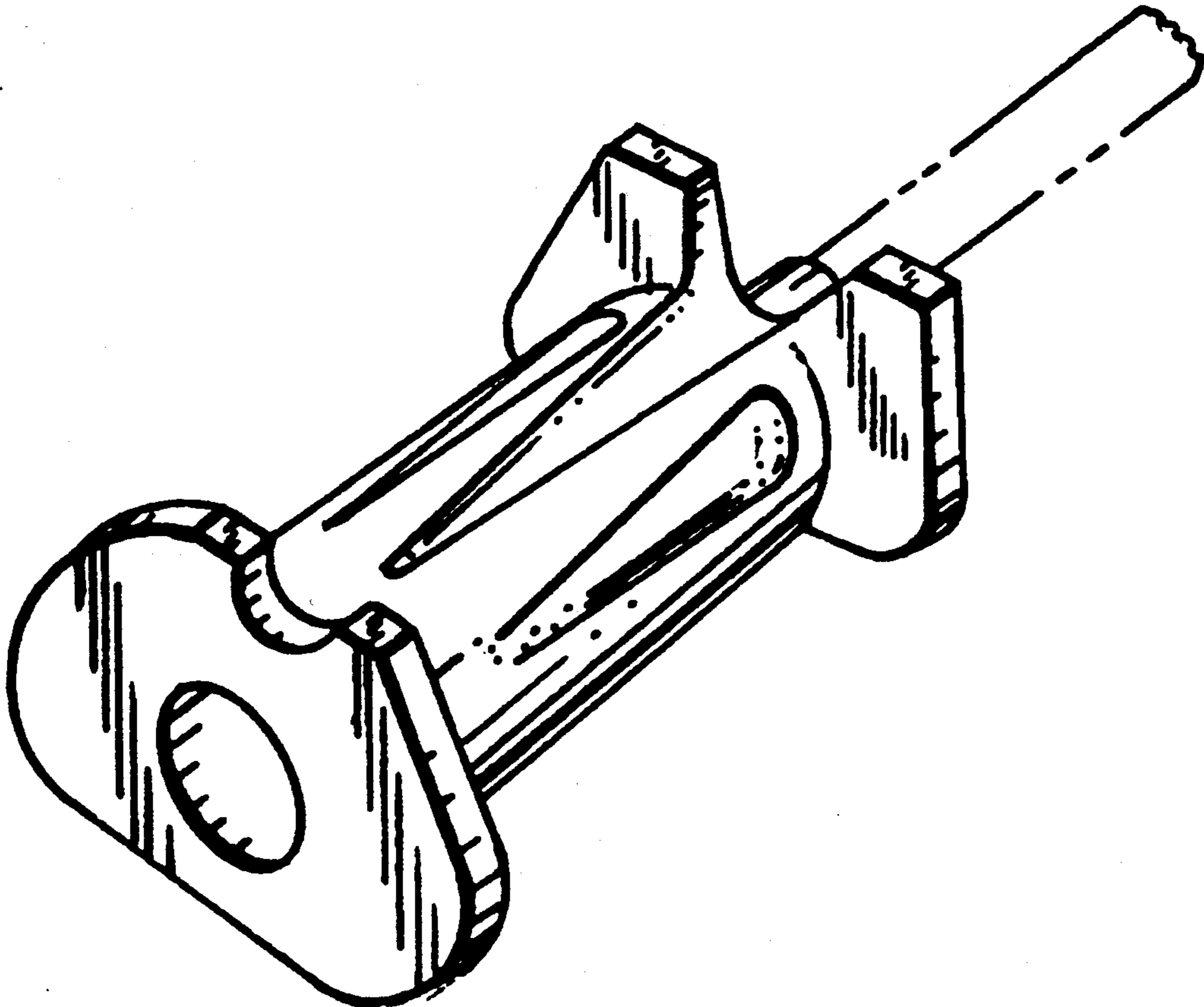
*Primary Examiner*—Stella Reid  
*Assistant Examiner*—I. Simmons  
*Attorney, Agent, or Firm*—Barnes, Kisselle, Raisch, Choate, Whittemore & Hulbert

[57] **CLAIM**

The ornamental design for a needle head for a biopsy cannula, as shown and described.

**DESCRIPTION**

FIG. 1 is a perspective view of a needle head for a biopsy cannula showing my new design; FIG. 2 is a top plan view thereof; FIG. 3 is a side elevational view thereof, the opposite side elevational view being identical thereto; FIG. 4 is a bottom plan view thereof; FIG. 5 is an end elevational view thereof; and, FIG. 6 is an end elevational view thereof, opposite that shown in FIG. 5. The broken line showing of the cannula in FIGS. 1-4 is for illustrative purposes only and forms no part of the claimed design.



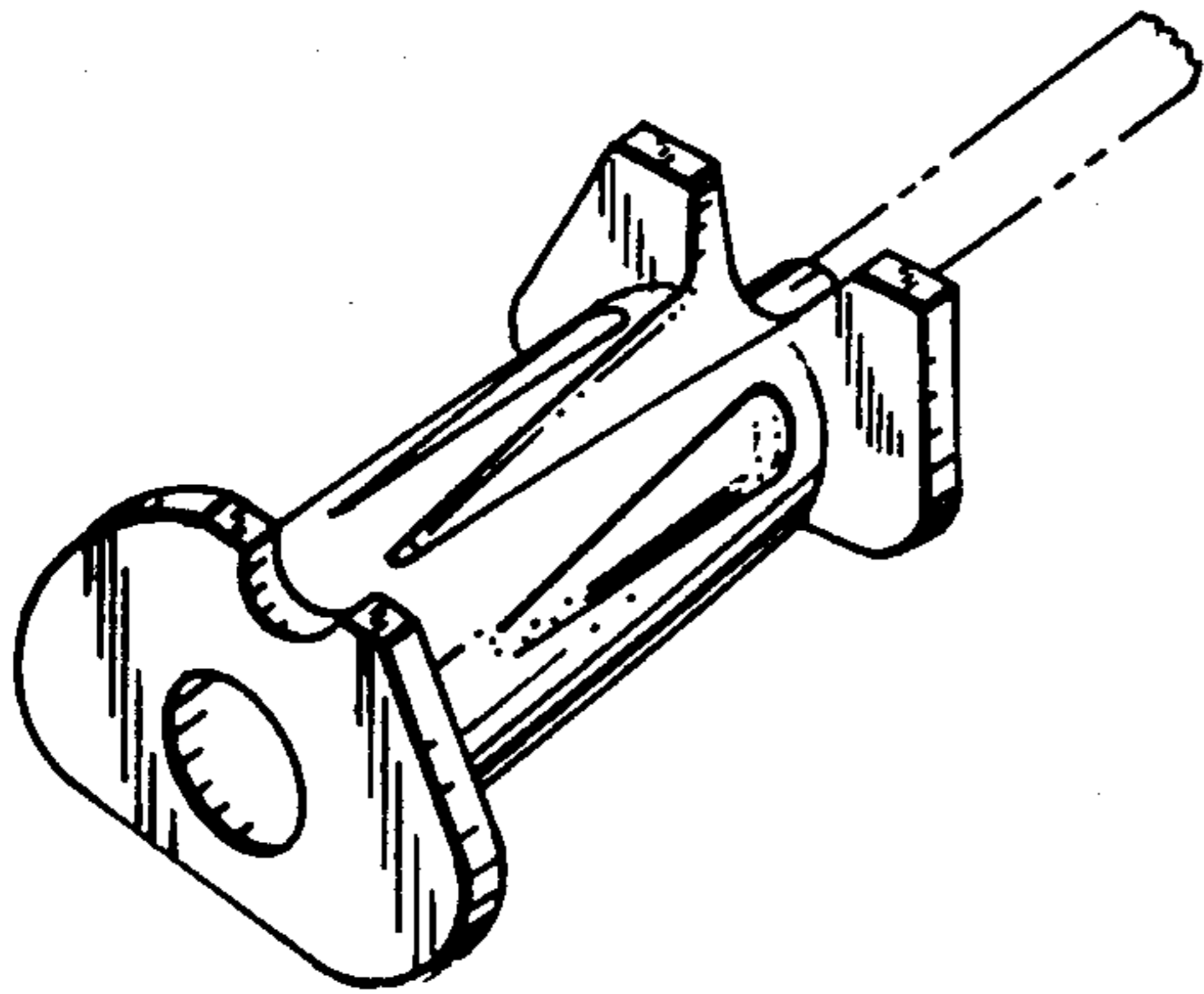


FIG. 1

FIG. 2

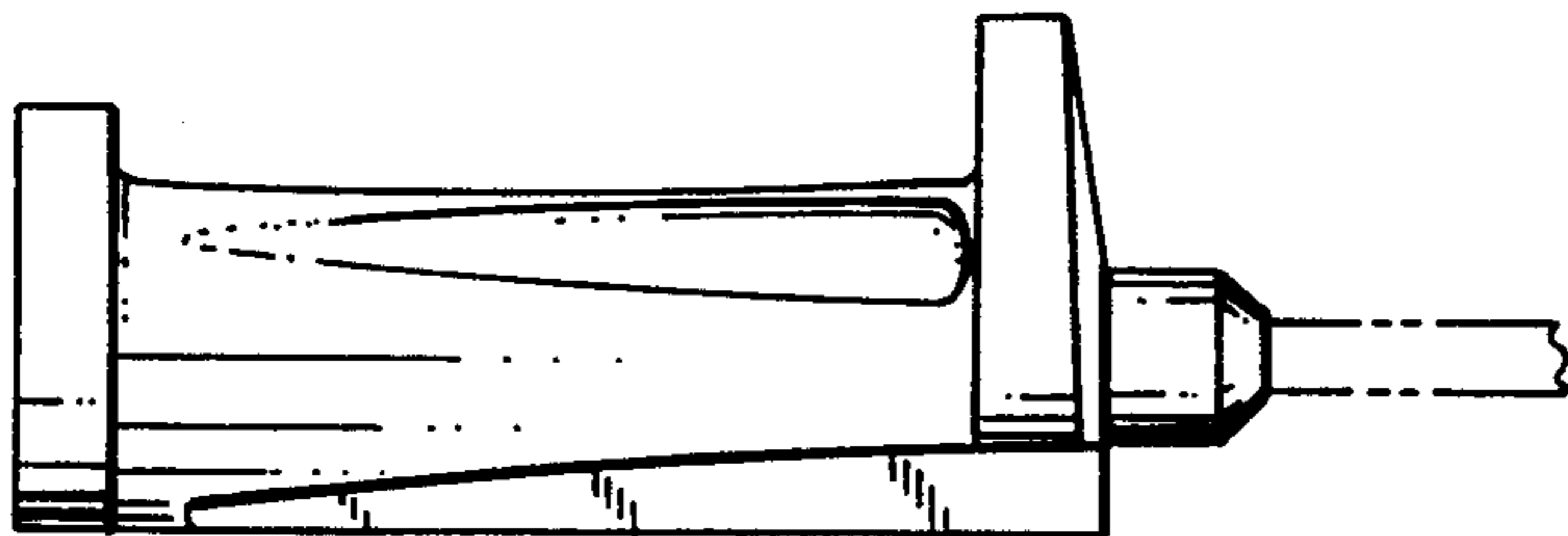
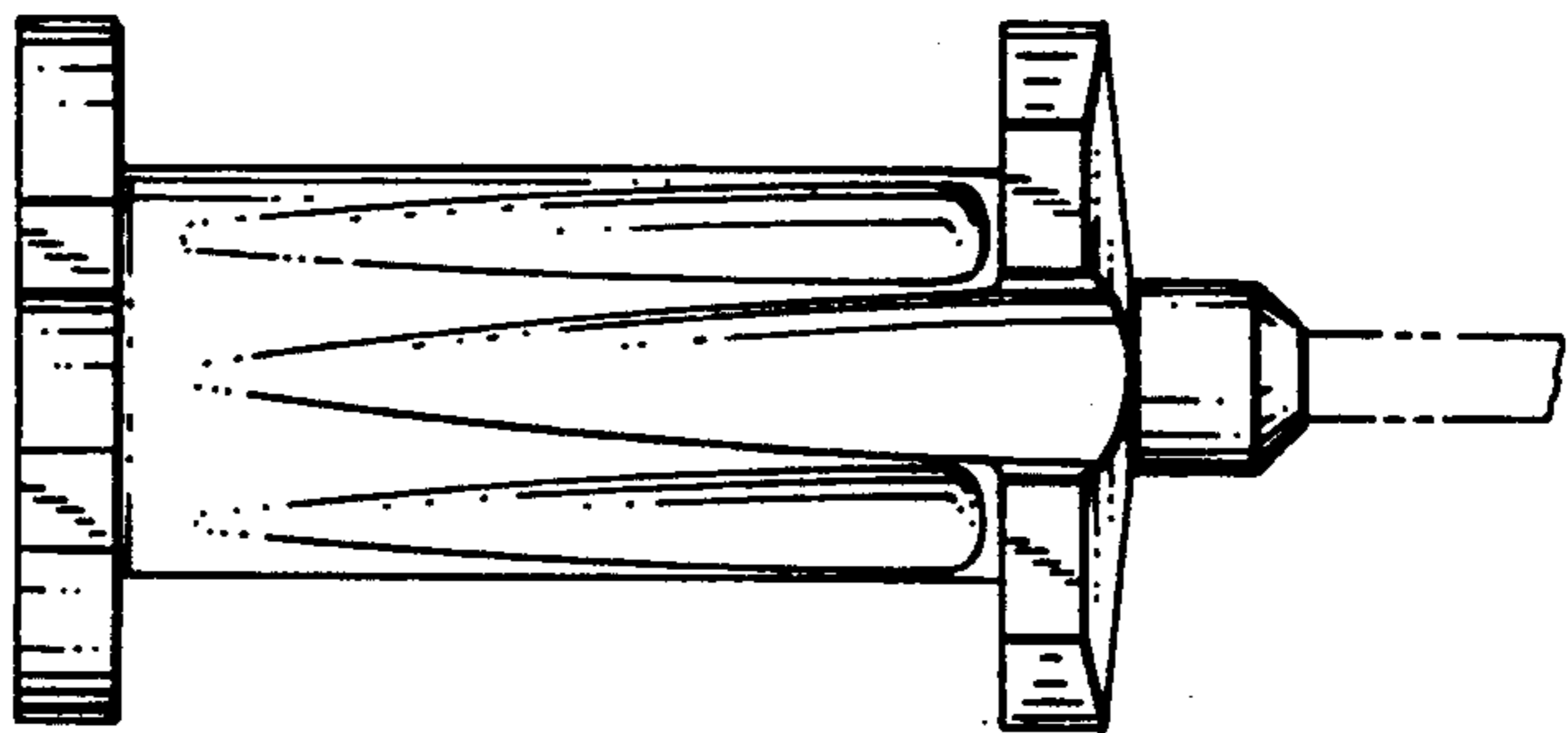


FIG. 3

FIG. 4

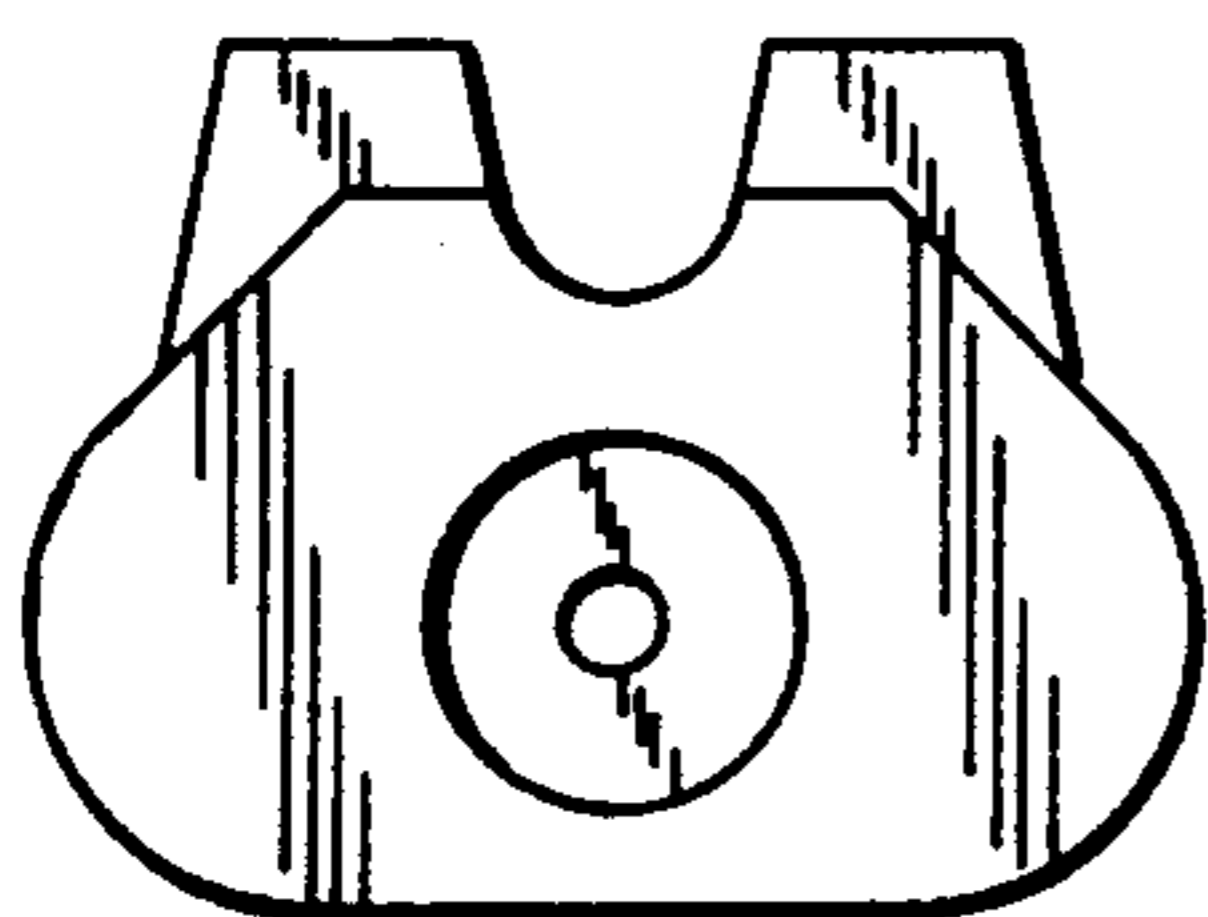
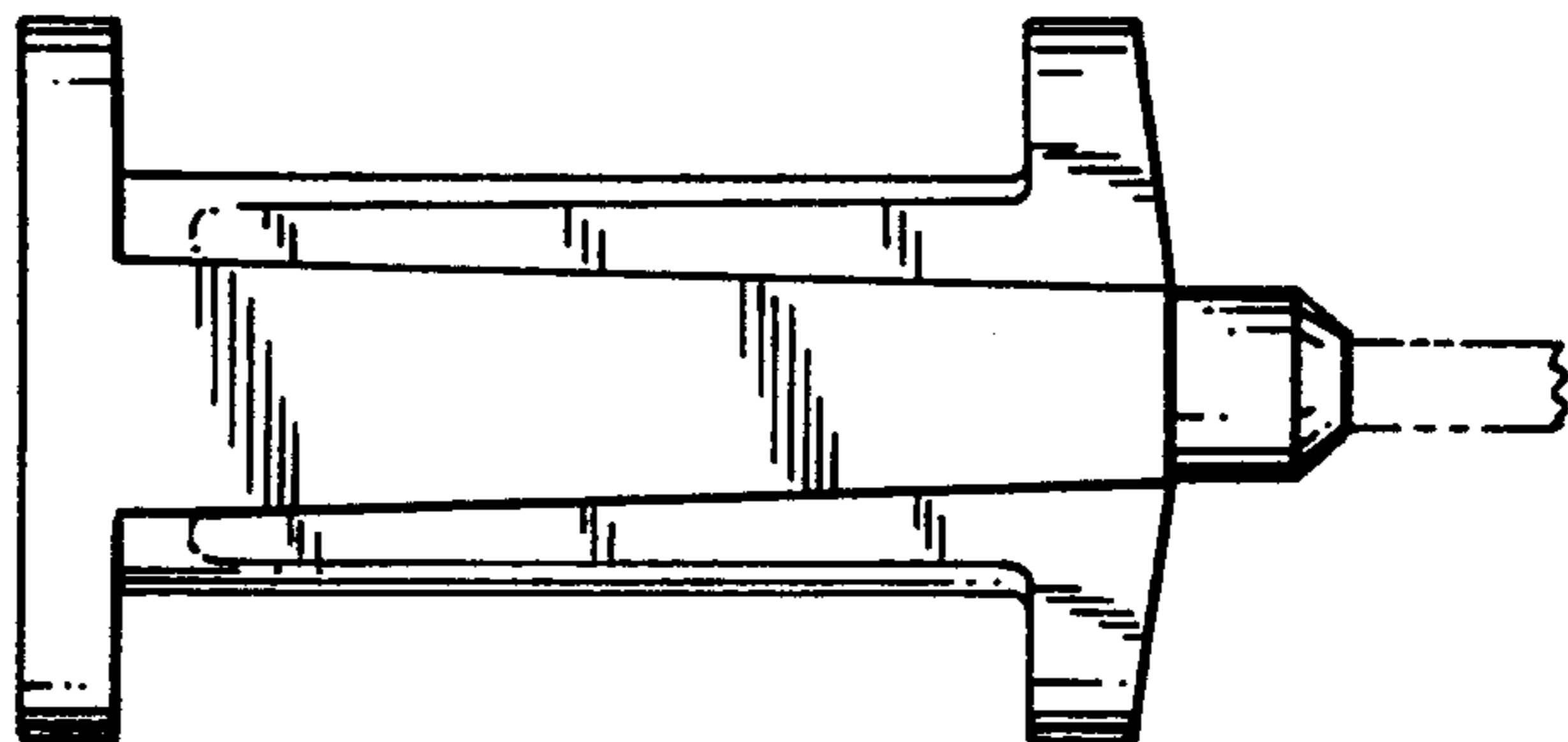


FIG. 5

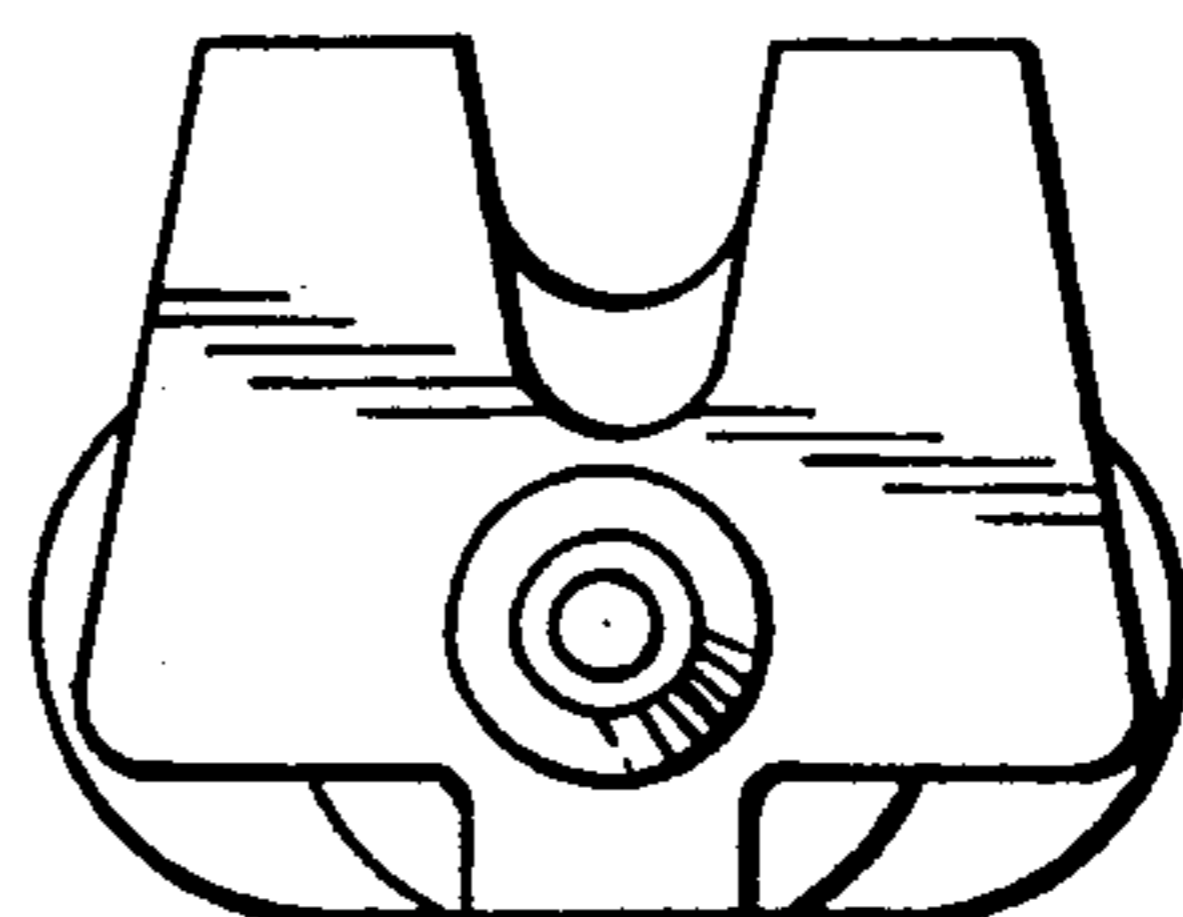


FIG. 6