



US00D333000S

United States Patent [19]

[11] Patent Number: Des. 333,000

Good et al.

[45] Date of Patent: ** Feb. 2, 1993

[54] DISPOSABLE MEDICAL ATOMIZER FOR WOUND IRRIGATION

[56] References Cited

U.S. PATENT DOCUMENTS

D. 199,109	9/1964	Osborne	D24/113
D. 315,496	3/1991	Pettengill	D9/526
3,647,143	3/1972	Gauthier	239/346 X
4,033,511	7/1977	Chamberlin	239/346

[75] Inventors: Gregory W. Good, Fairhope; Matthew D. Smith, Berlin, both of Pa.

Primary Examiner—Stella Reid
Assistant Examiner—I. Simmons
Attorney, Agent, or Firm—MacMillan, Sobanski & Todd

[73] Assignee: DeVilbiss Health Care, Inc., Somerset, Pa.

[57] CLAIM

[**] Term: 14 Years

The ornamental design for a disposable medical atomizer for wound irrigation, as shown and described.

[21] Appl. No.: 611,345

DESCRIPTION

[22] Filed: Nov. 6, 1990

FIG. 1 is a right side elevational view of a disposable medical atomizer for wound irrigation showing our new design;

[52] U.S. Cl. D24/108; D24/110; D24/111

FIG. 2 is a front elevational view thereof;

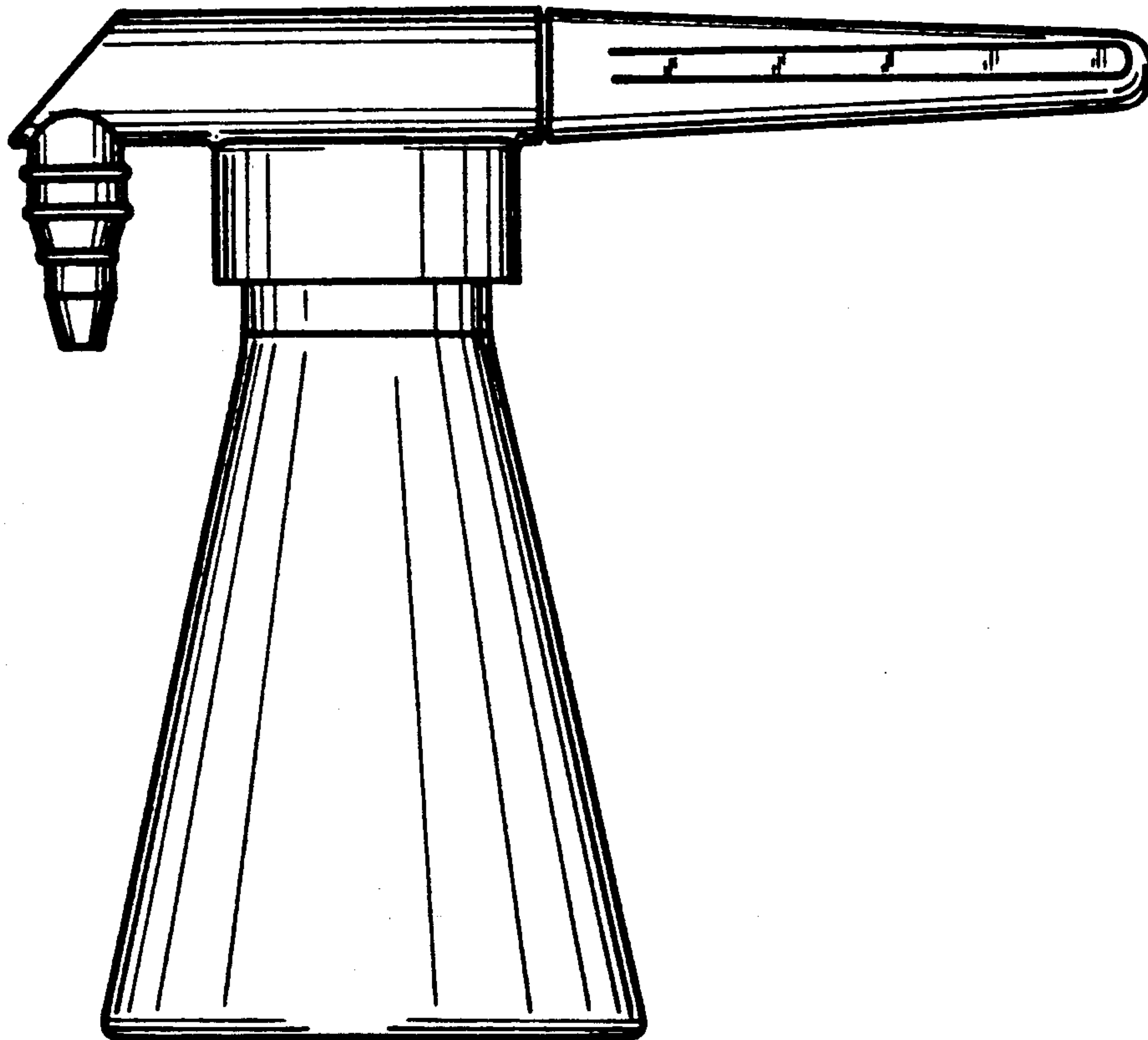
[58] Field of Search D24/113, 110, 111; 128/200.14, 200.18, 200.21, 200.22, 200.23; 239/346, 347, 341; 604/73

FIG. 3 is a left side elevational view thereof;

FIG. 4 is a rear elevational view thereof;

FIG. 5 is a top plan view thereof; and,

FIG. 6 is a bottom plan view thereof.



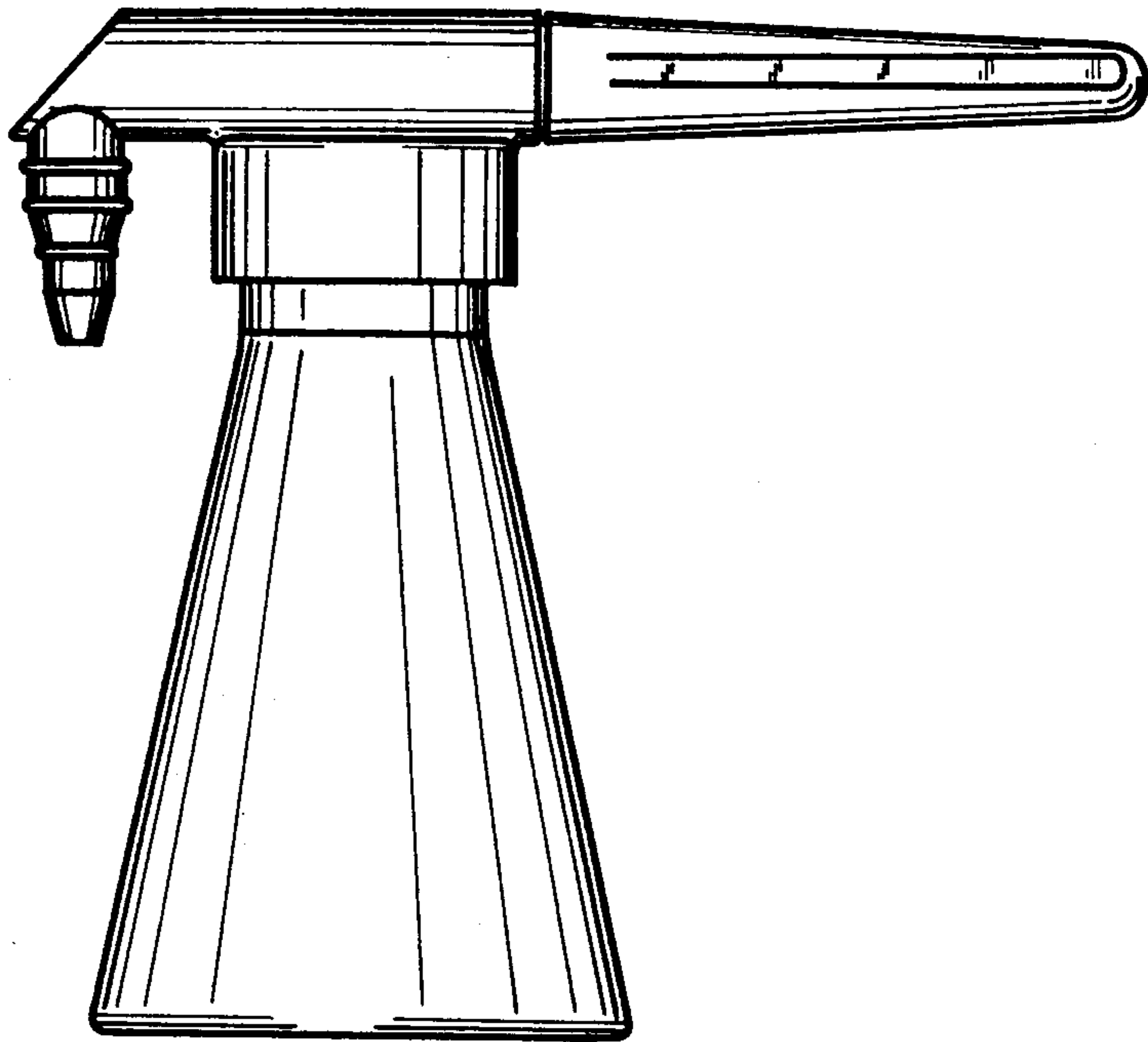


FIG. 1

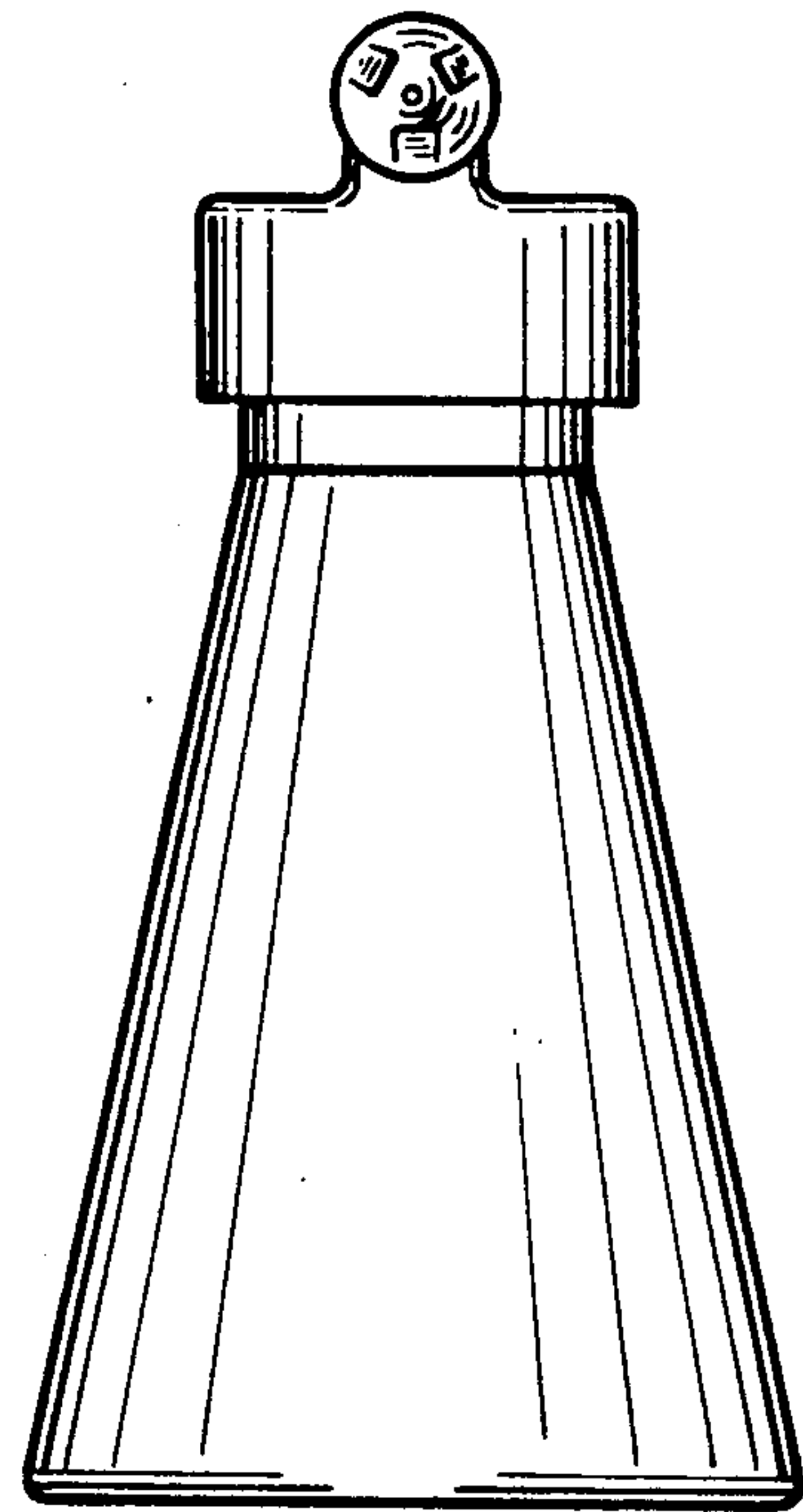


FIG. 2

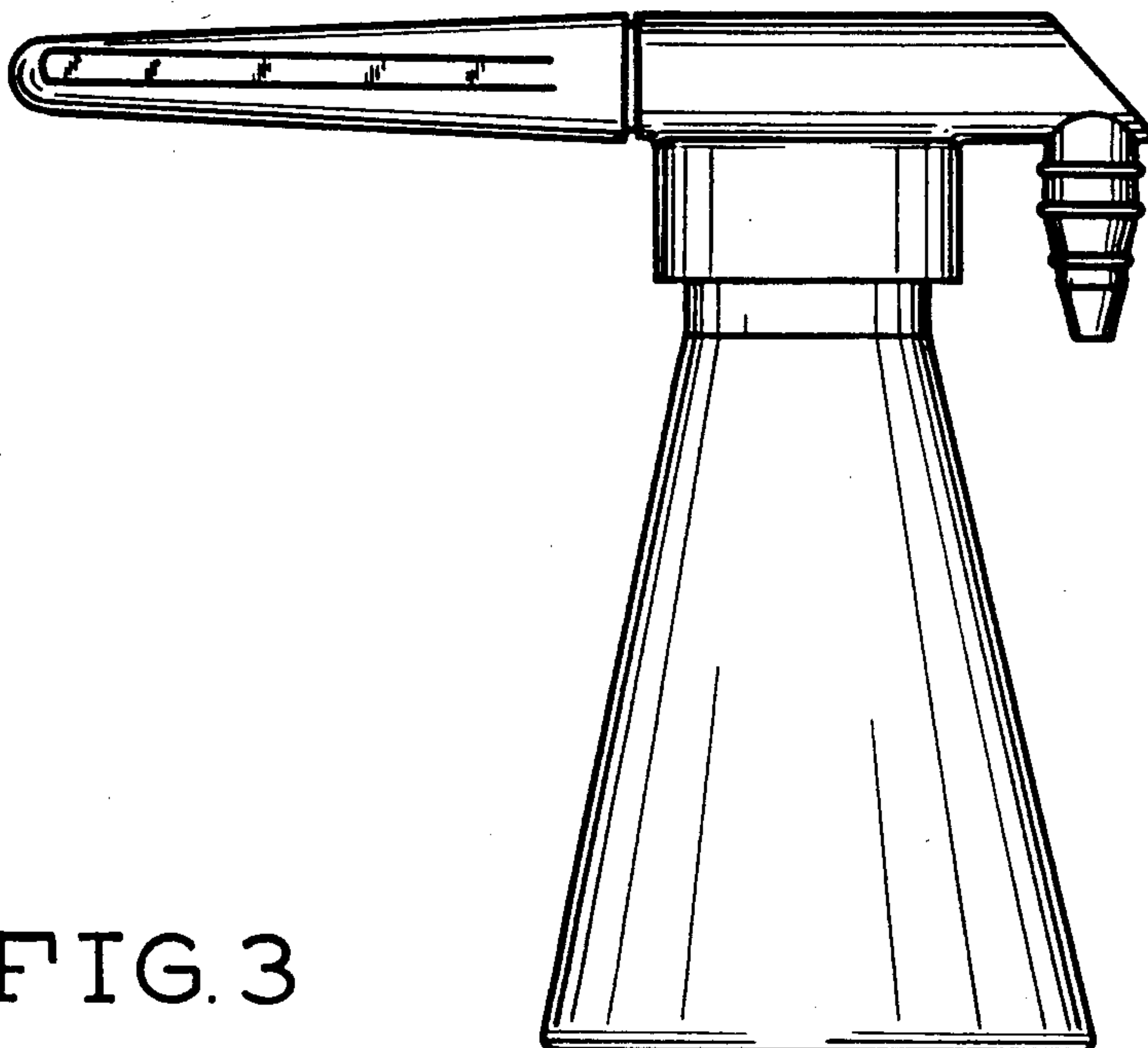


FIG. 3

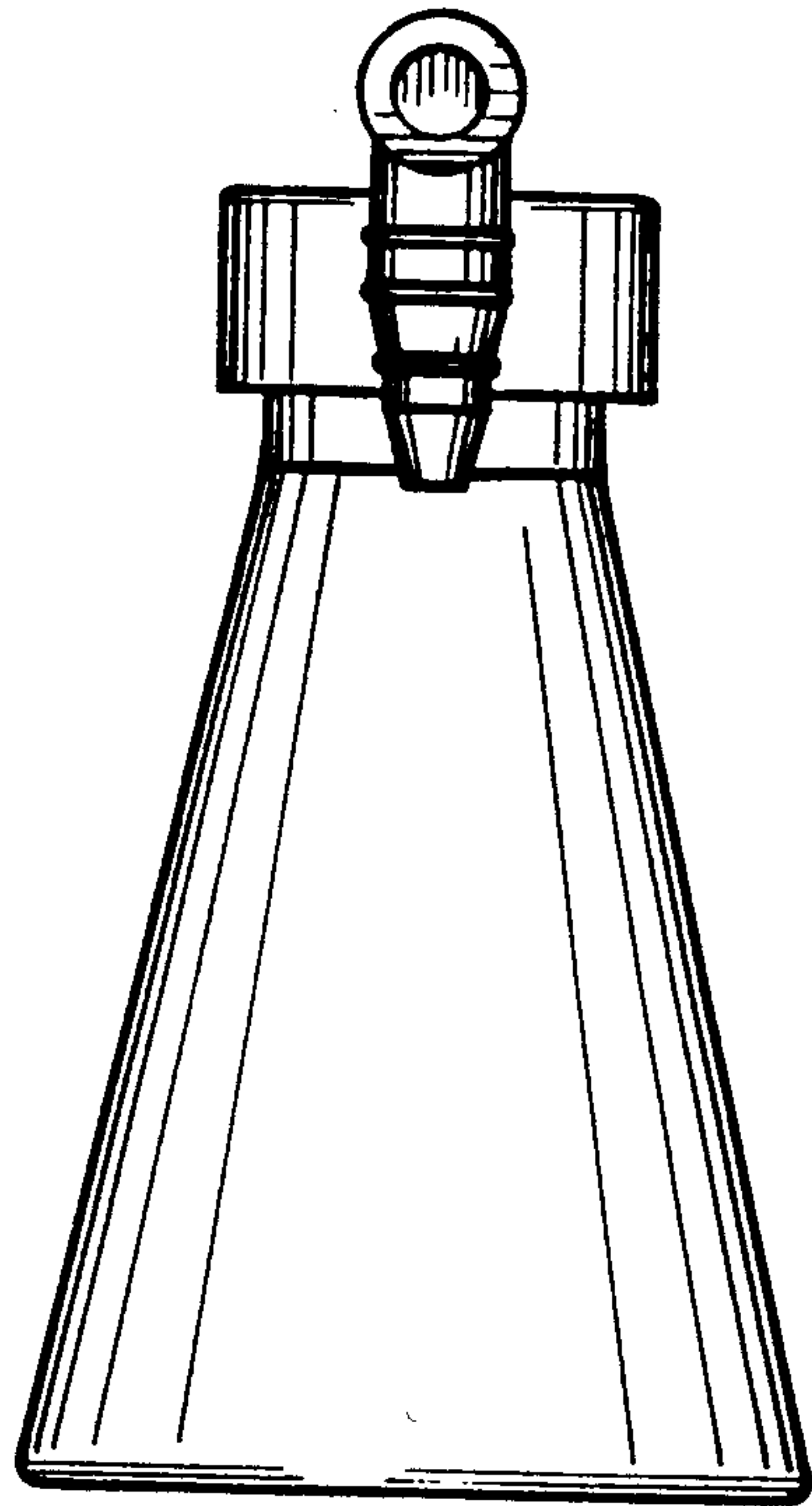


FIG. 4

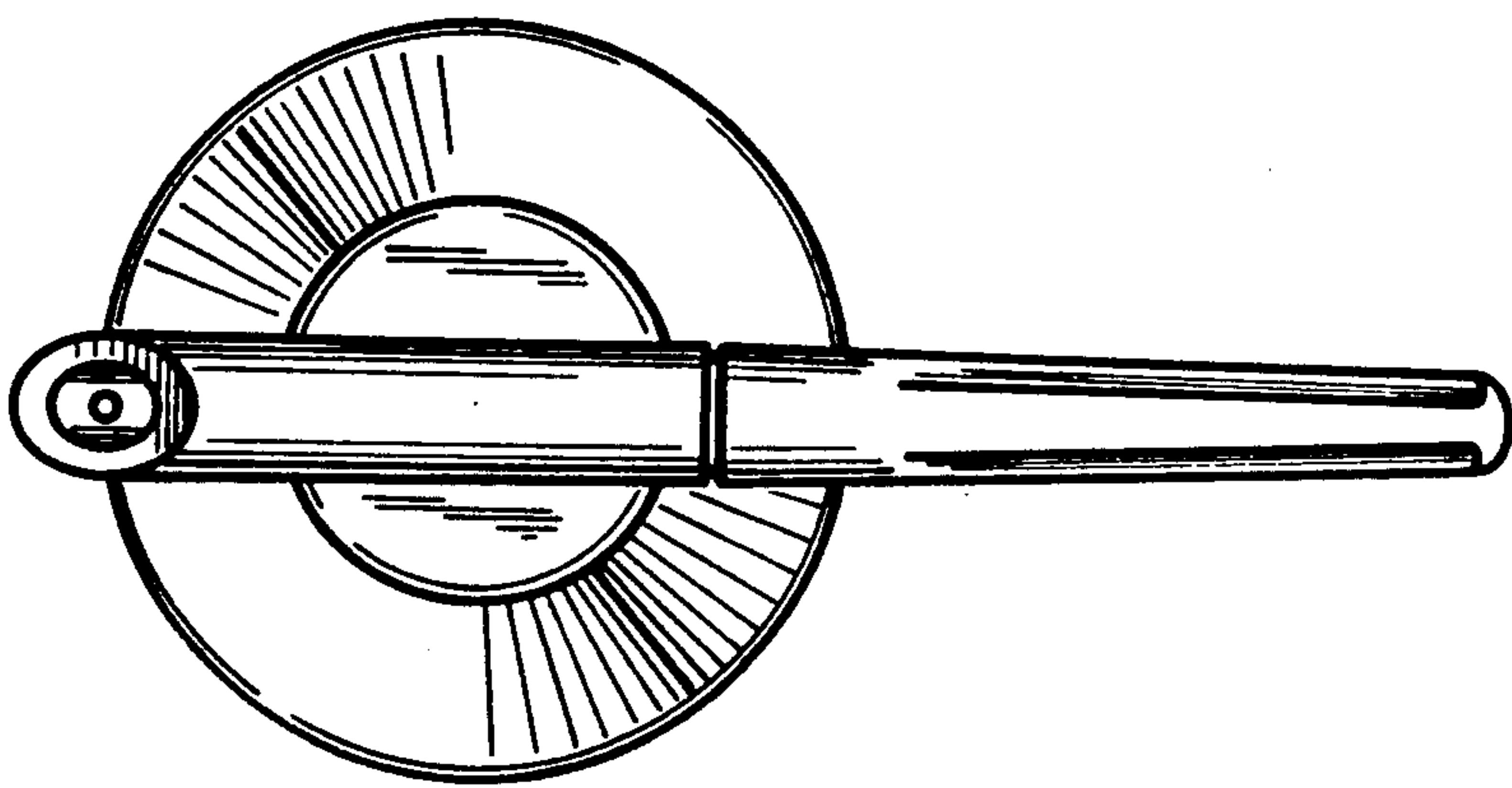


FIG. 5

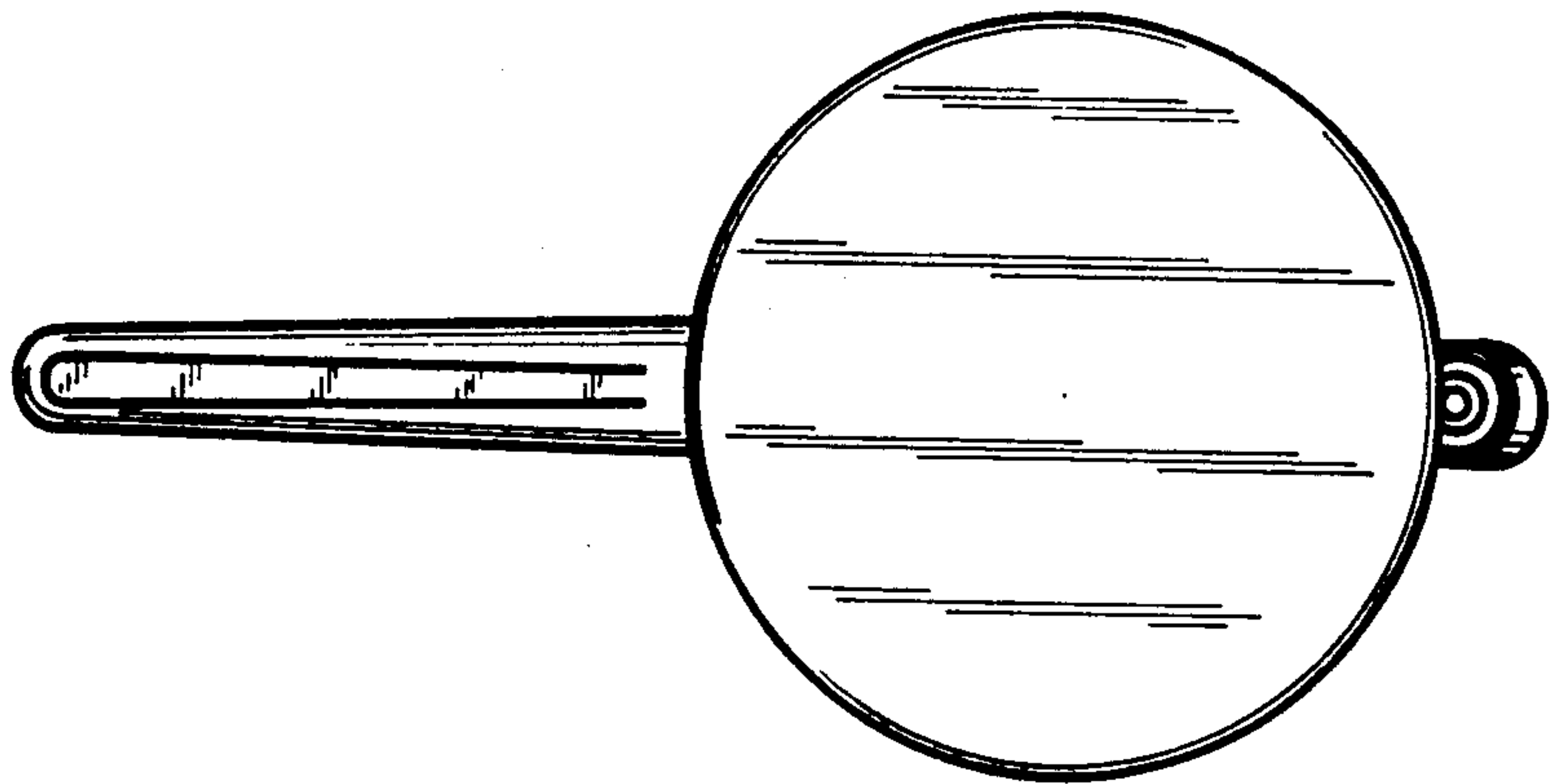


FIG. 6