



US00D332995S

United States Patent [19]

[11] Patent Number: **Des. 332,995**

Dworetzky

[45] Date of Patent: **** Feb. 2, 1993**

[54] **COMBINED BATHTUB AND SHOWER STALL**

[76] Inventor: **Alan B. Dworetzky, 1108 Redgate Ave., Norfolk, Va. 23507**

[**] Term: **14 Years**

[21] Appl. No.: **515,272**

[22] Filed: **Apr. 27, 1990**

[52] U.S. Cl. **D23/275**

[58] Field of Search **D23/270, 271, 273, 275-283, D23/303-307; D24/201-205; 4/538, 539, 546, 552, 553, 571-573, 578, 579, 589-591, 664, 665**

[56] **References Cited**

U.S. PATENT DOCUMENTS

- D. 237,182 10/1975 Rosenhaus D23/281
- D. 237,184 10/1975 Rosenhaus D23/277

- D. 241,441 9/1976 Rosenhaus D23/277
- D. 243,691 3/1977 Grubor D23/277
- D. 265,678 8/1982 Ballard D23/281
- D. 319,093 8/1991 Dannenberg et al. D23/275
- 1,664,491 4/1928 Siegol 4/557
- 2,198,605 4/1940 Faber 4/546 X
- 2,394,667 2/1946 Dailey 4/552
- 3,955,219 5/1976 Finch et al. 4/552
- 4,928,329 5/1990 Palmeri 4/584

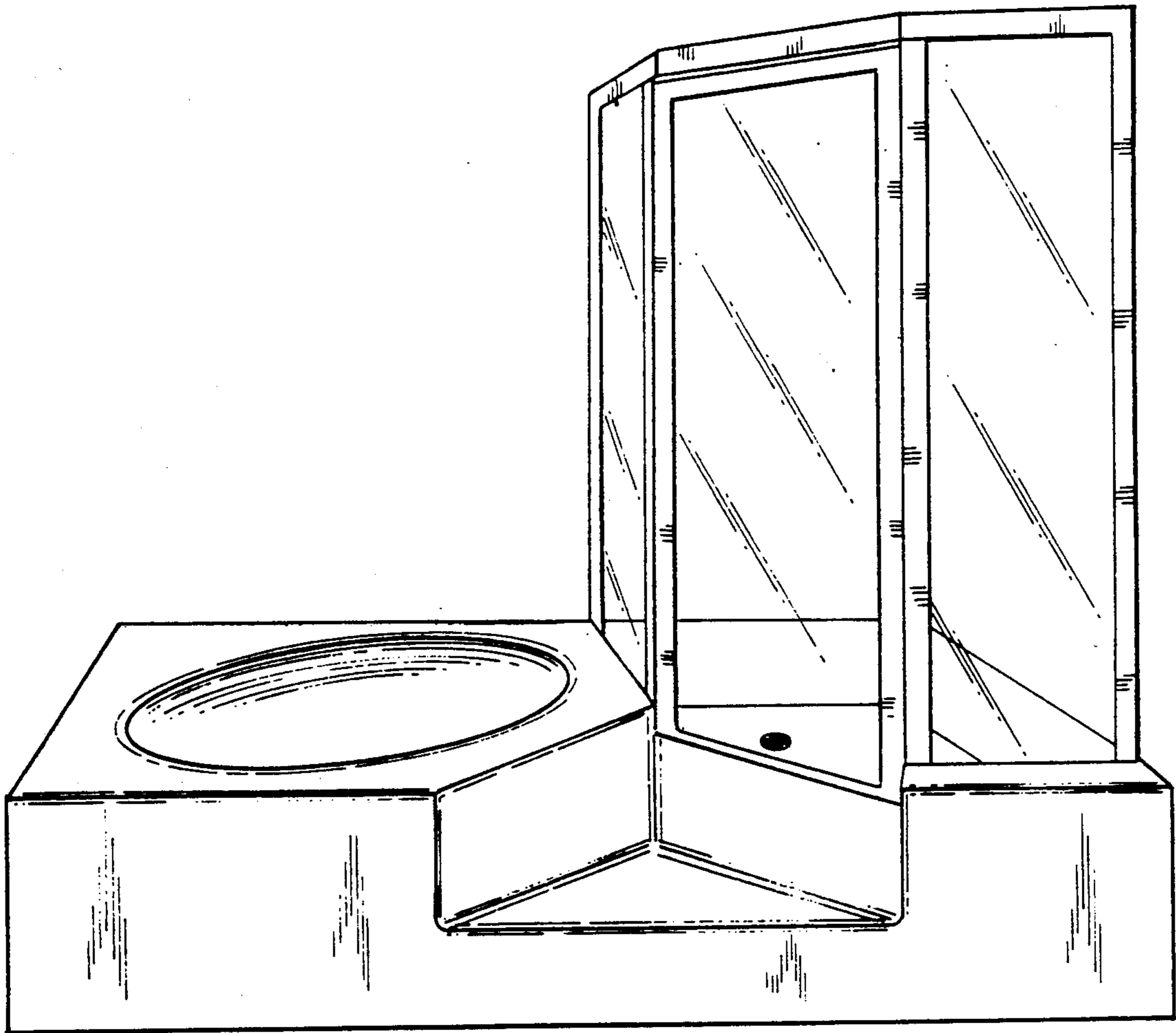
Primary Examiner—James R. Largen

[57] **CLAIM**

The ornamental design for a combined bathtub and shower stall, as shown and described.

DESCRIPTION

FIG. 1 is a top front perspective view of a combined bathtub and shower stall showing my new design; FIG. 2 is a top plan view thereof; and, FIG. 3 is a front elevational view thereof.



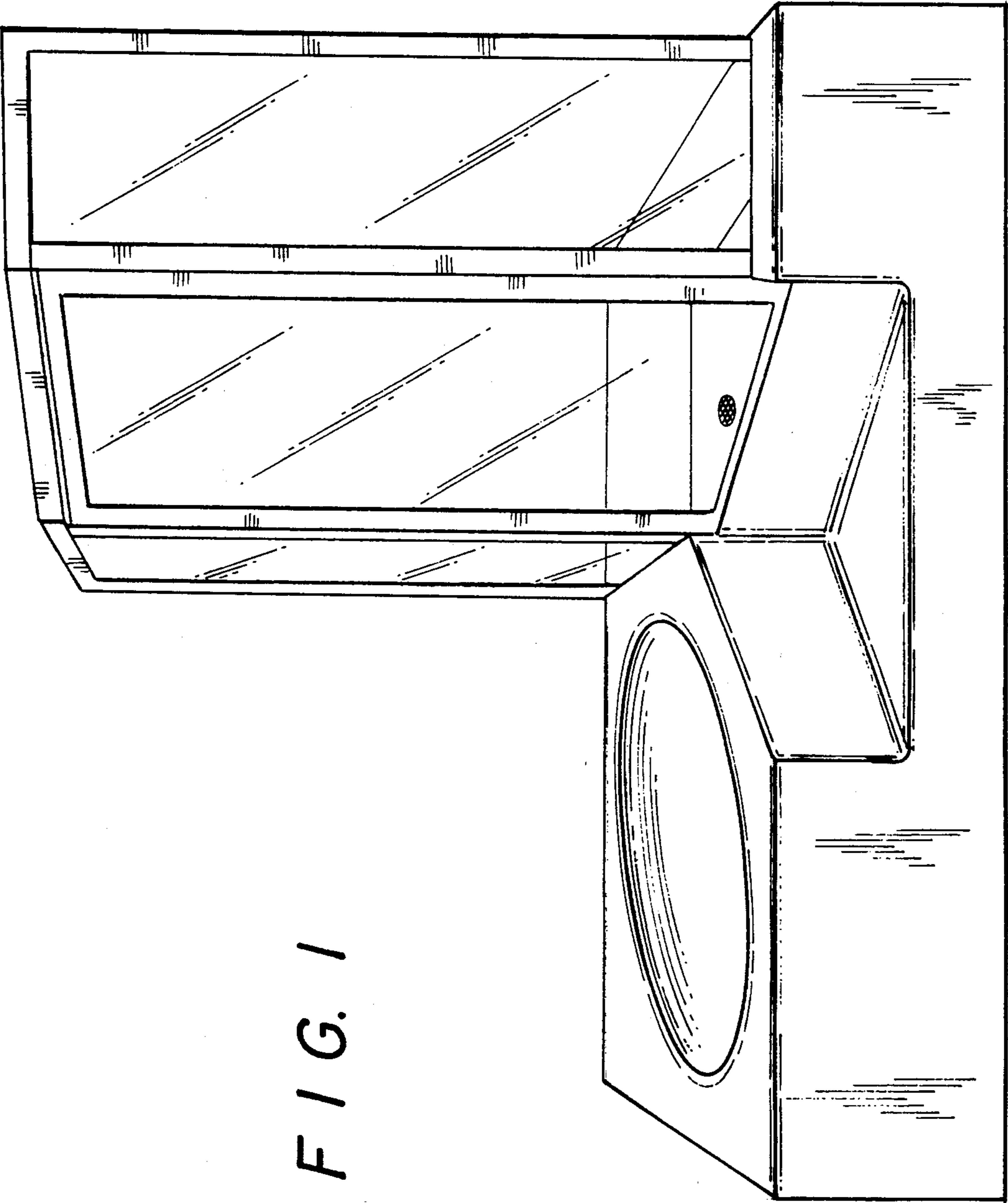


FIG. 1

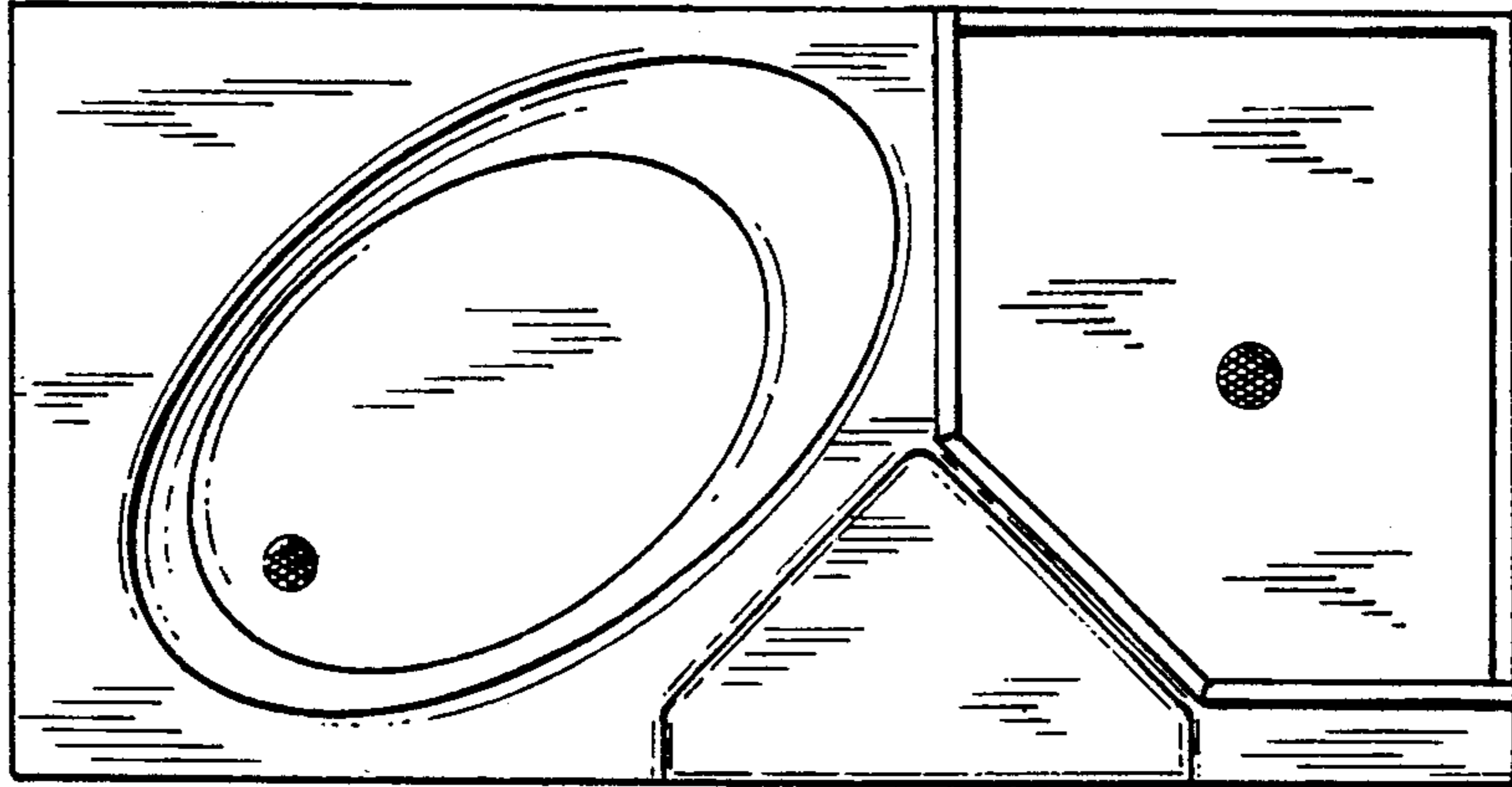


FIG. 2

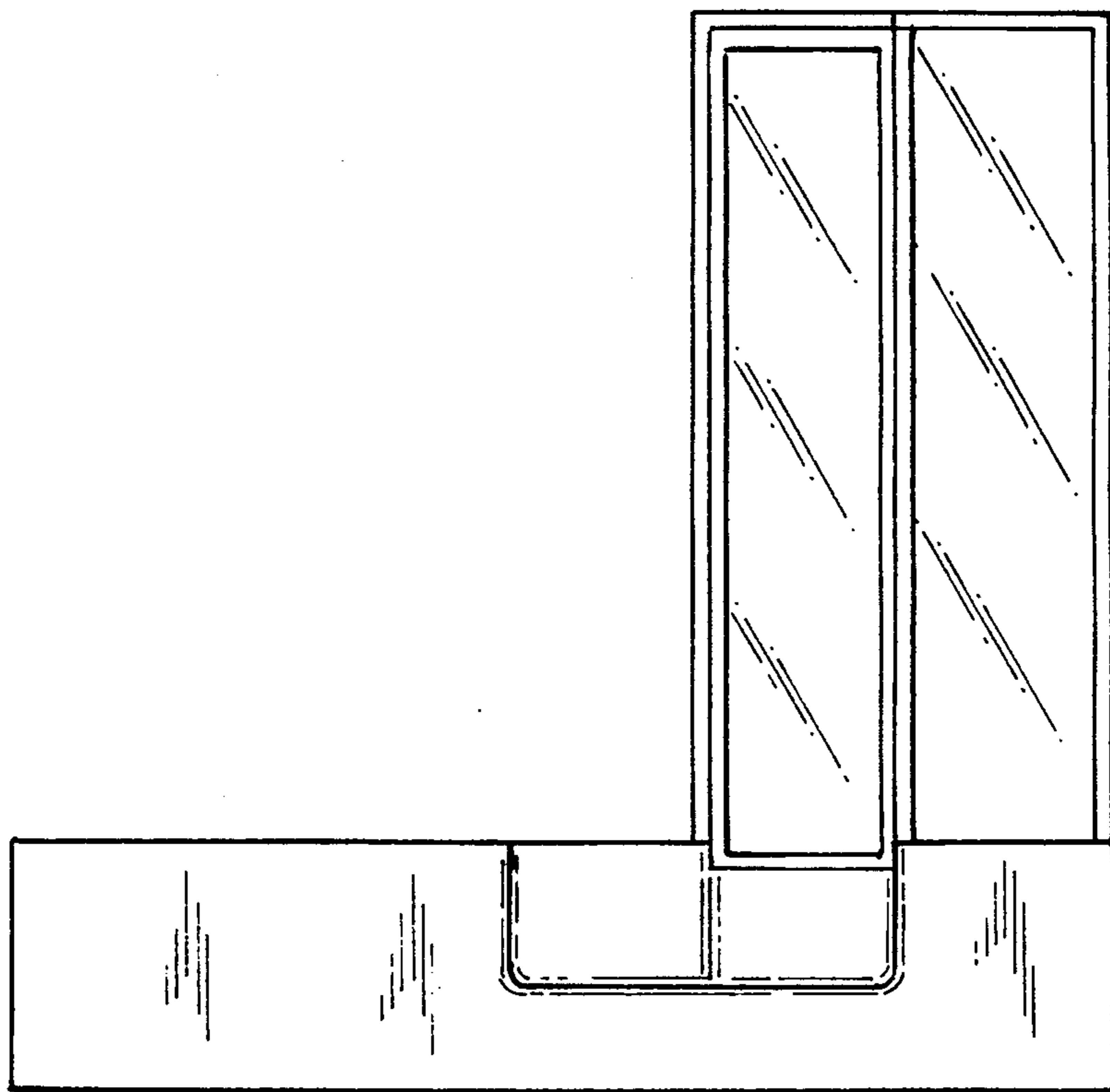


FIG. 3