



US00D332993S

United States Patent [19]

[11] Patent Number: **Des. 332,993**

Dea et al.

[45] Date of Patent: **** Feb. 2, 1993**

[54] **ANTIFREEZE RECYCLER**

[75] Inventors: **William S. Dea**, Bloomington; **Curt A. Deiner**, Prior Lake; **James G. Nyberg**, Minneapolis, all of Minn.

[73] Assignee: **Century Mfg. Co.**, Minneapolis, Minn.

[**] Term: **14 Years**

[21] Appl. No.: **605,771**

[22] Filed: **Oct. 30, 1990**

[52] U.S. Cl. **D23/207**

[58] Field of Search **D23/200, 207-209; 210/295-296, 323.1, 195.2, 195.3, 758-759, 767; 206/569**

[56] **References Cited**

U.S. PATENT DOCUMENTS

- D. 292,429 10/1987 Spink D23/209
- D. 306,339 2/1990 Slovak D23/207

- D. 314,607 2/1991 Kapie et al. D23/209
- D. 328,777 8/1992 Thalmann et al. D23/209
- 5,091,081 2/1992 Hilgren 210/195.3 X

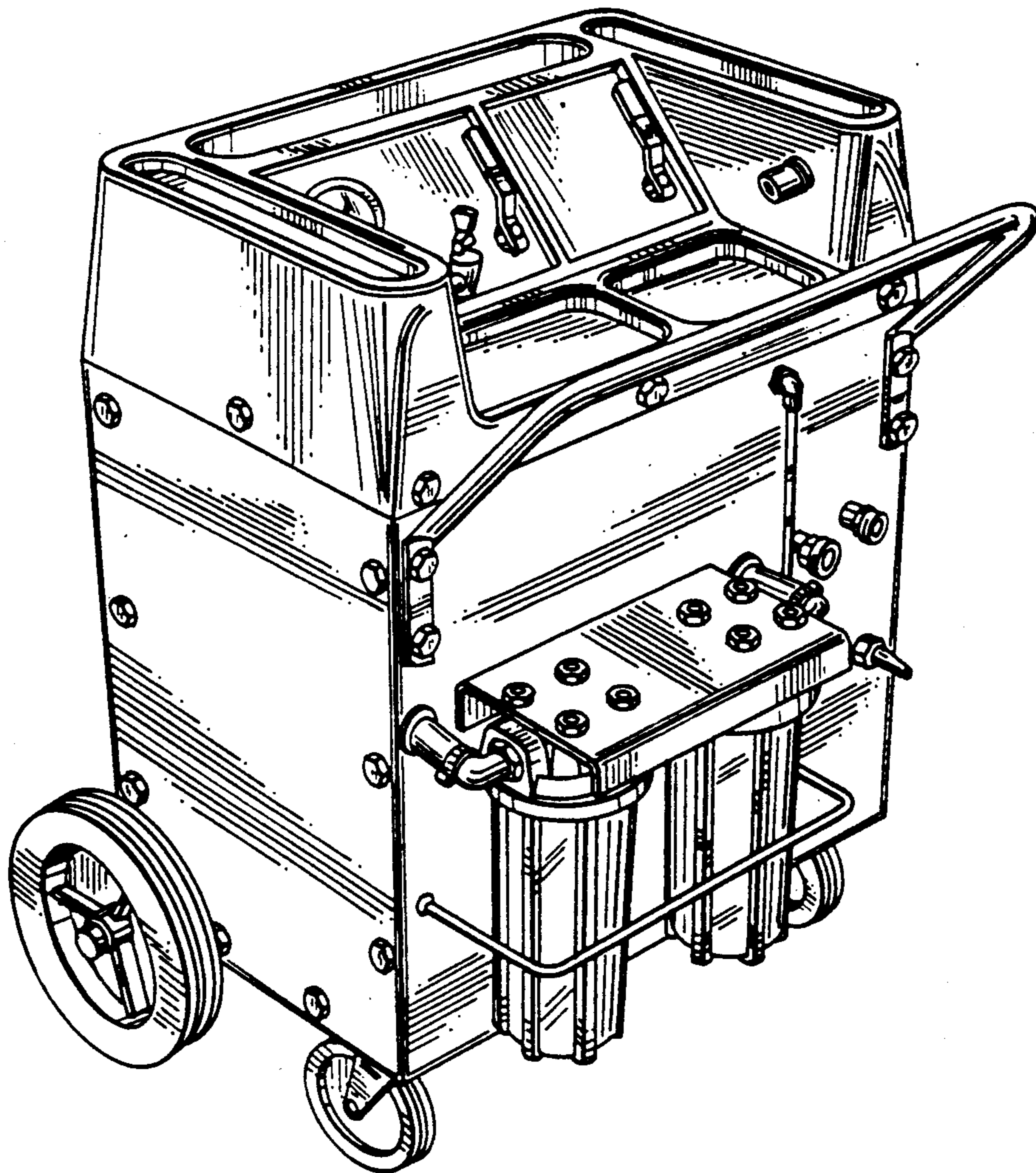
Primary Examiner—Wallace R. Burke
Assistant Examiner—M. H. Tung
Attorney, Agent, or Firm—Dorsey & Whitney

[57] **CLAIM**

The ornamental design for a antifreeze recycler, as shown.

DESCRIPTION

FIG. 1 is a right side rear perspective view of an anti-freeze recycler showing our new design; FIG. 2 is a left side, front perspective view thereof; FIG. 3 is a front elevational view thereof; FIG. 4 is a rear elevational view thereof; FIG. 5 is a right side elevational view thereof; FIG. 6 is a top plan view thereof; FIG. 7 is a left side elevational view thereof; and, FIG. 8 is a bottom plan view thereof.



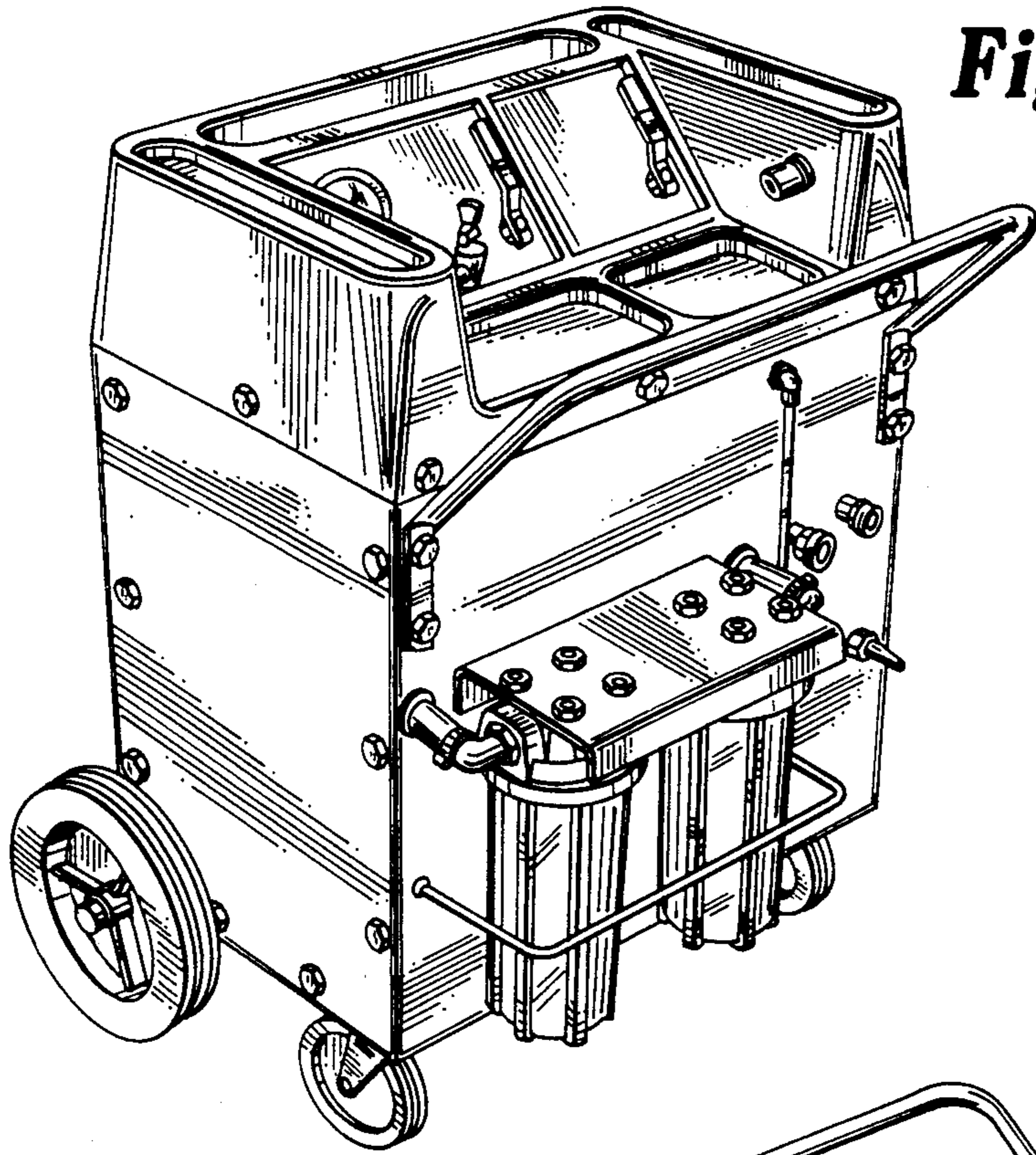


Fig. 1

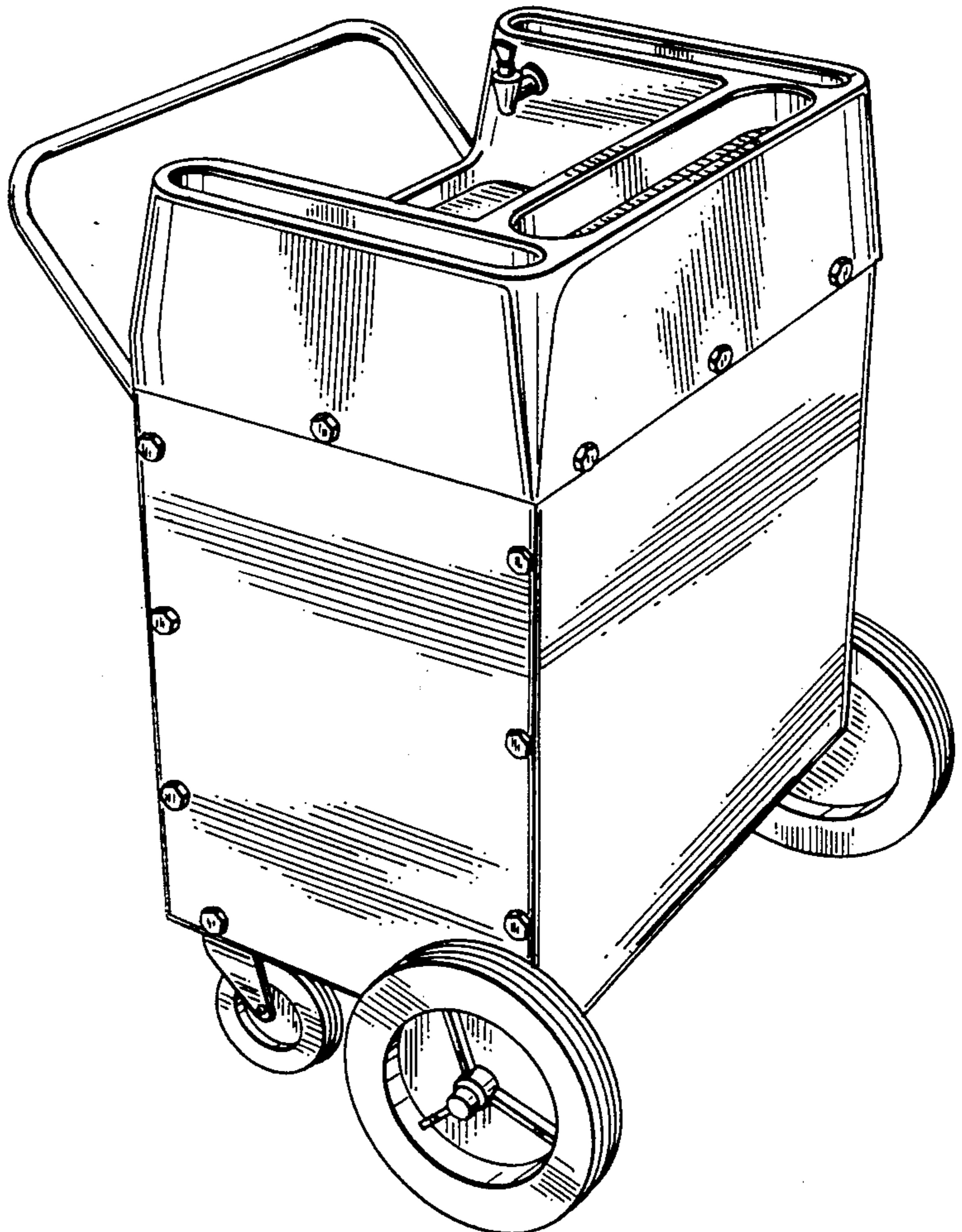


Fig. 2

Fig. 3

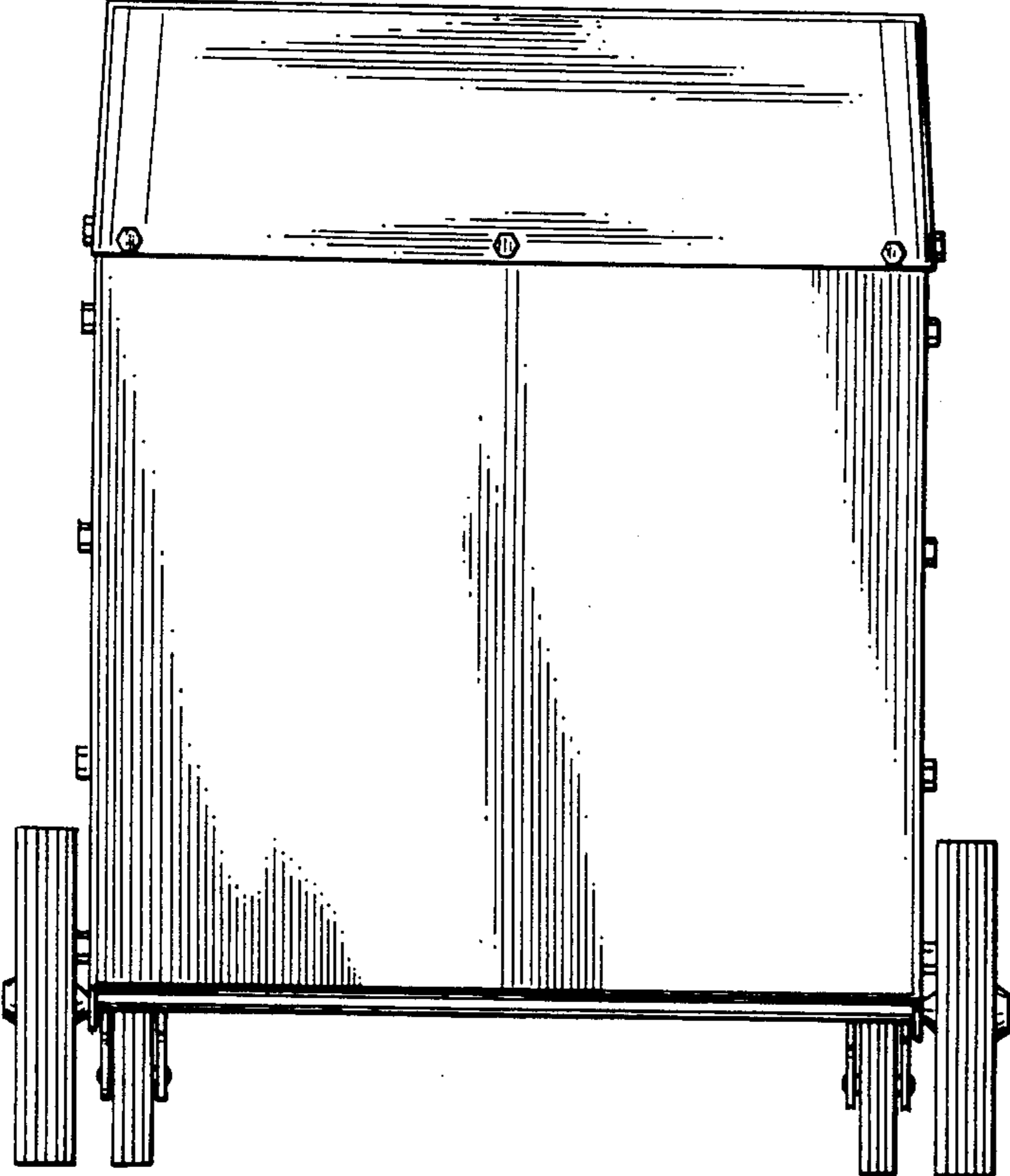


Fig. 4

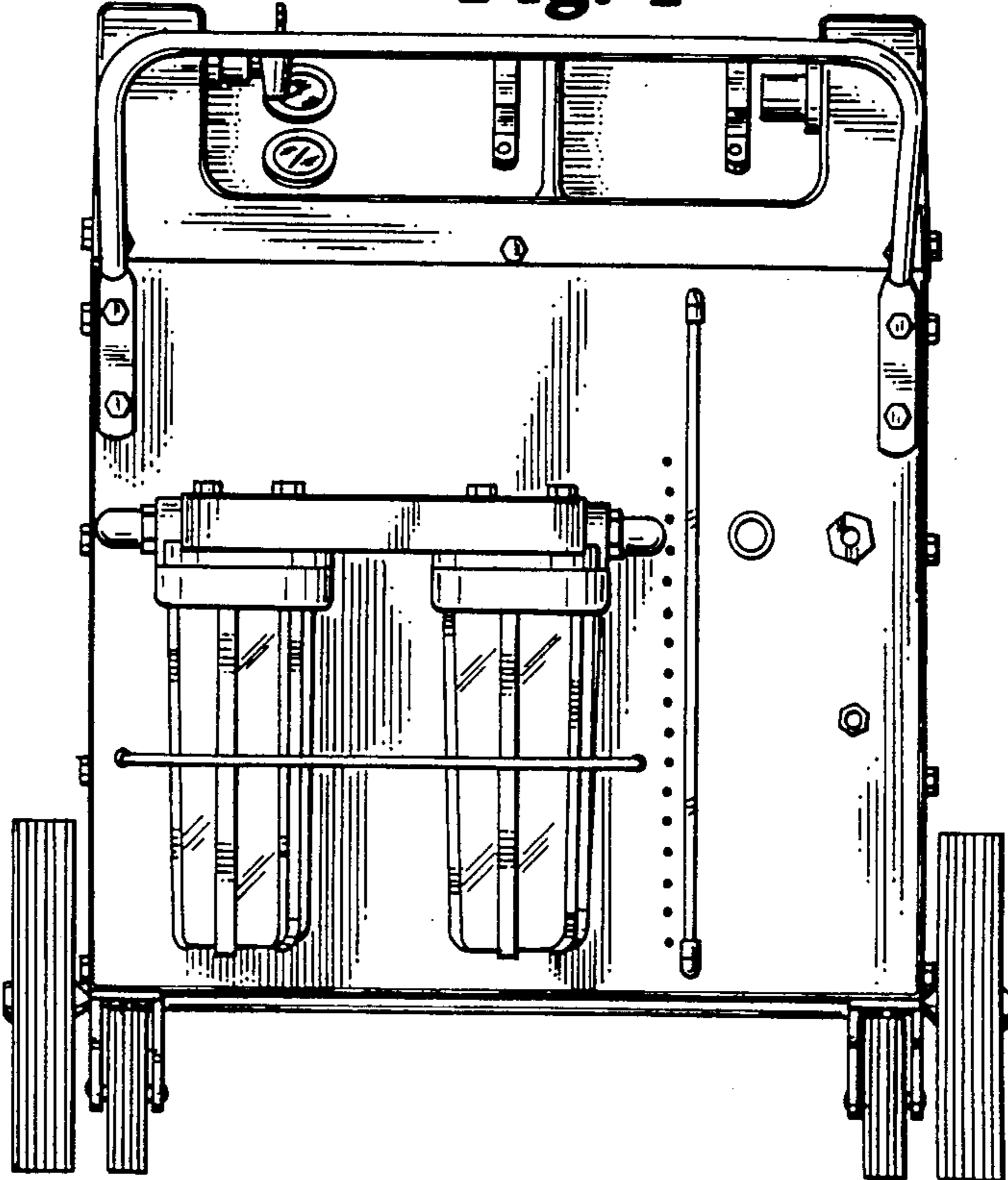


Fig. 5

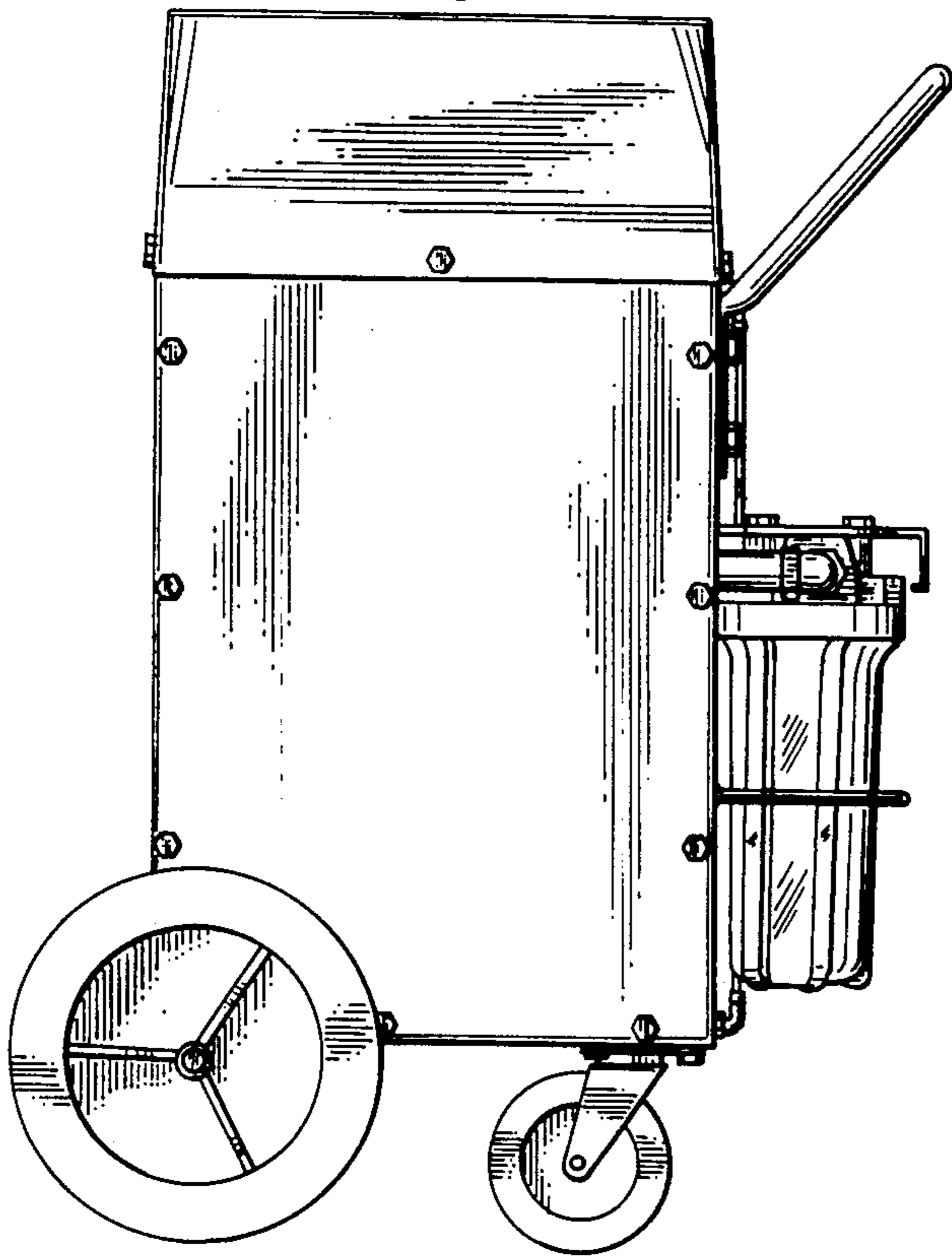
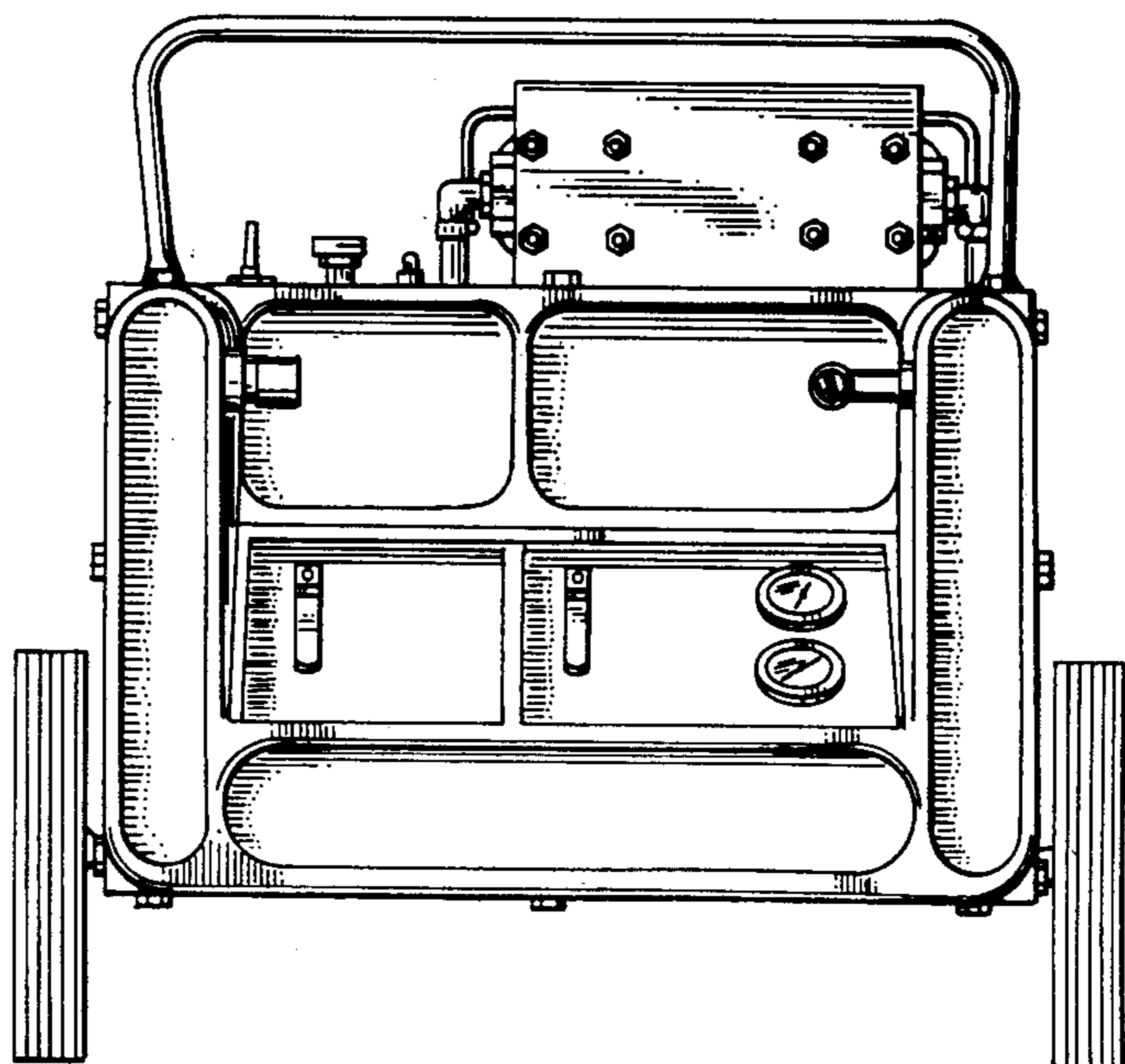


Fig. 6



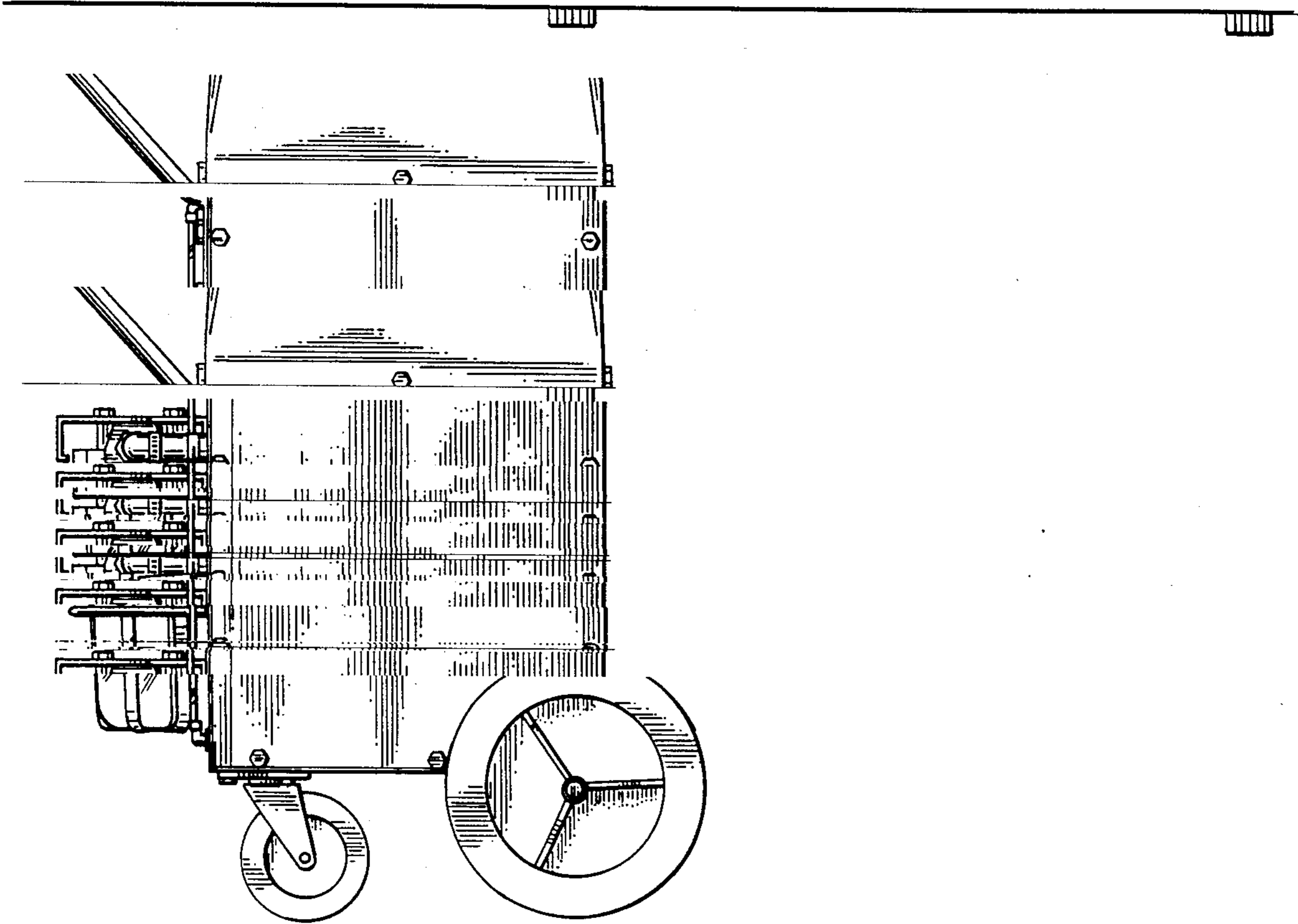


Fig. 8

