



US00D332992S

United States Patent [19]

[11] Patent Number: **Des. 332,992**

Mintz

[45] Date of Patent: **** Feb. 2, 1993**

[54] **AUTOMATIC HOOK SETTING FISH REEL**

4,399,631	8/1983	Smith	43/17
4,541,195	9/1985	Delaney	43/17
4,625,446	12/1986	Morimoto	43/17

[76] Inventor: **Wayne E. Mintz**, 4898 Enser Rd., Eden, N.Y. 14057

OTHER PUBLICATIONS

[**] Term: **14 Years**

Pflueger Fishing Tackle, p. 12, ©1940, Nobby Fishing Reel.

[21] Appl. No.: **564,299**

Primary Examiner—A. Hugo Word

[22] Filed: **Aug. 8, 1990**

Assistant Examiner—Doris V. Coles

[52] U.S. Cl. **D22/140; D22/137**

Attorney, Agent, or Firm—Terry M. Gernstein

[58] Field of Search **D22/137, 140; 43/15; 242/273, 283**

[57] **CLAIM**

[56] **References Cited**

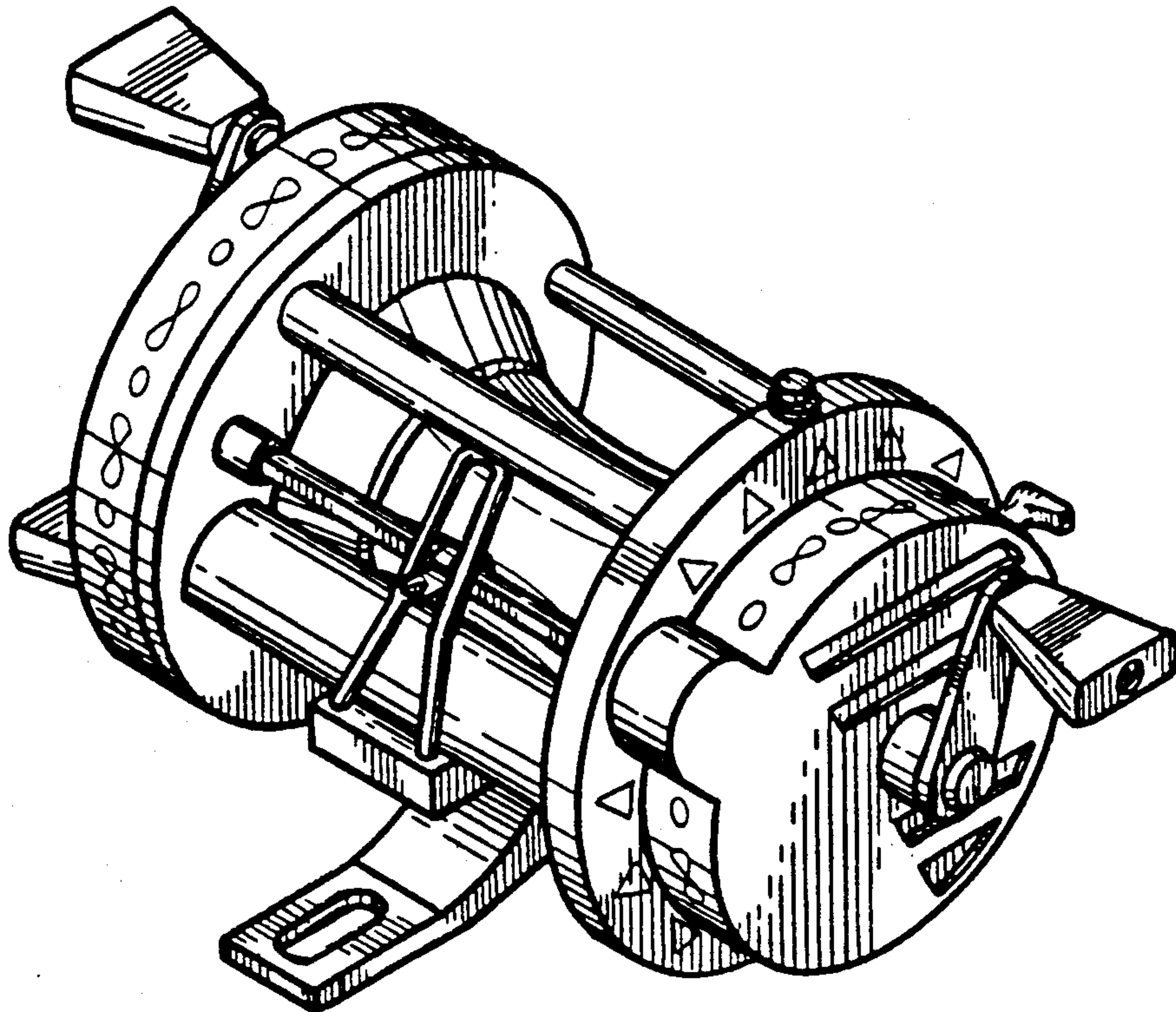
The ornamental design for an automatic hook setting fish reel, as shown and described.

U.S. PATENT DOCUMENTS

DESCRIPTION

D. 21,546	5/1892	Hendryx	D22/140
D. 73,047	7/1927	Pflueger	D22/140
D. 105,616	8/1937	Schafer	D22/140
D. 299,509	1/1989	Iinuma et al.	D22/140
3,787,994	1/1974	Love	43/15
4,159,589	7/1979	Pendgraft	43/15
4,382,346	5/1983	Gardner	43/15
4,391,059	7/1983	Cordova et al.	43/15
4,397,113	8/1983	Pinson	43/15

FIG. 1 is a perspective view of an automatic hook setting fishing reel showing my new design; FIG. 2 is a front elevational view thereof; FIG. 3 is a rear elevational view thereof; FIG. 4 is a left side elevational view thereof; FIG. 5 is a right side elevational view thereof; FIG. 6 is a top plan view thereof; and, FIG. 7 is a bottom plan thereof.



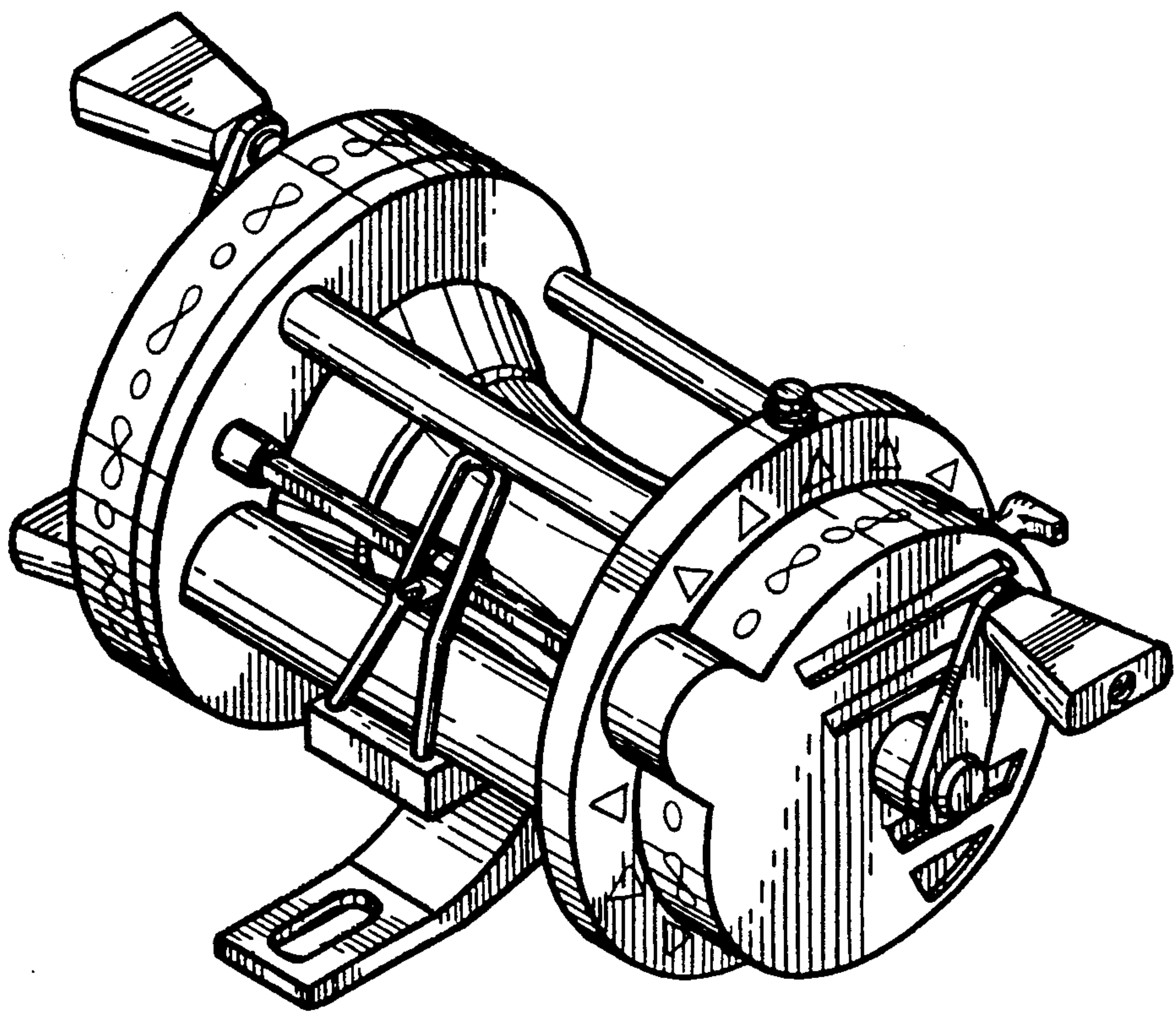


FIG. 1

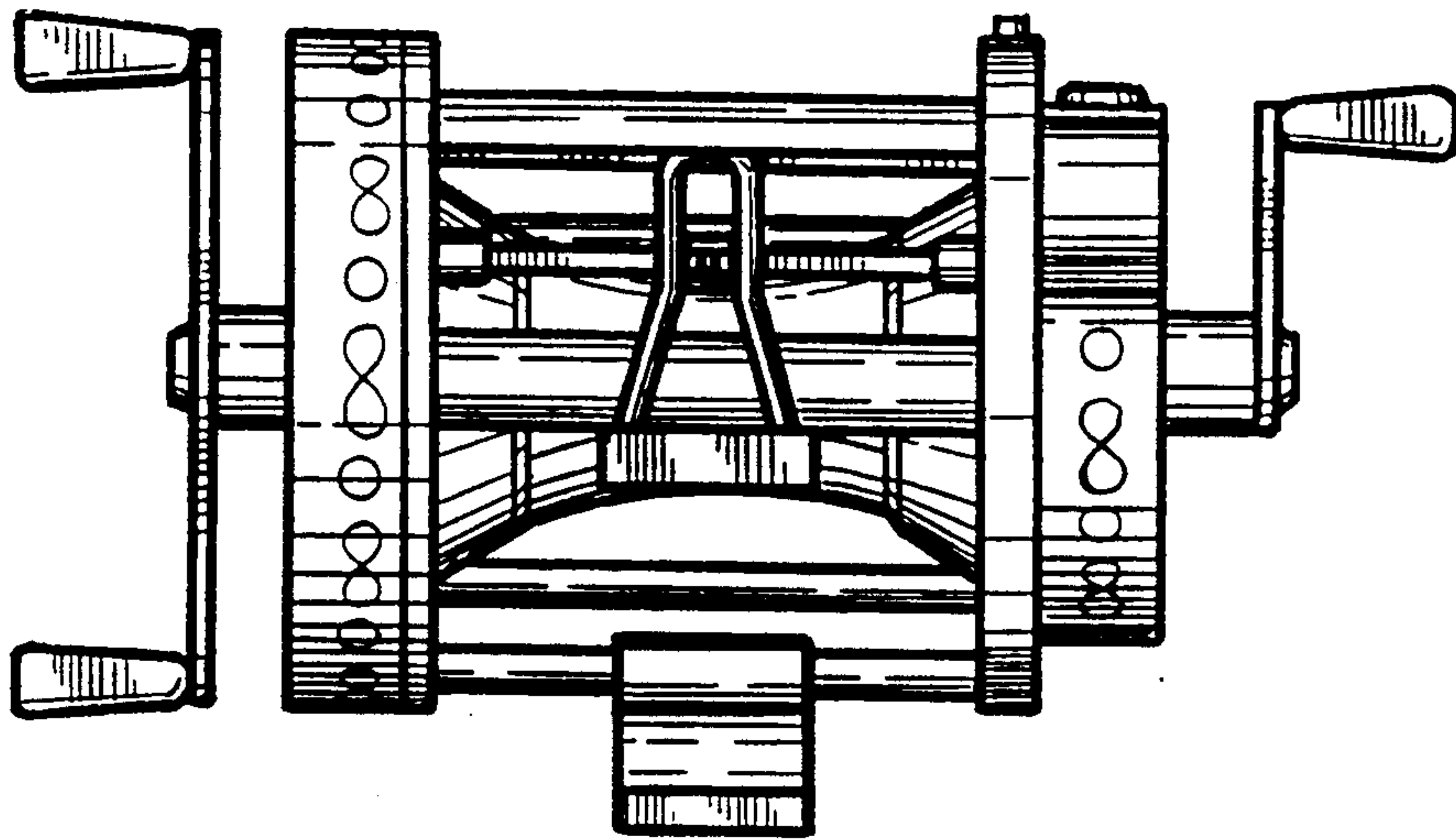


FIG. 2

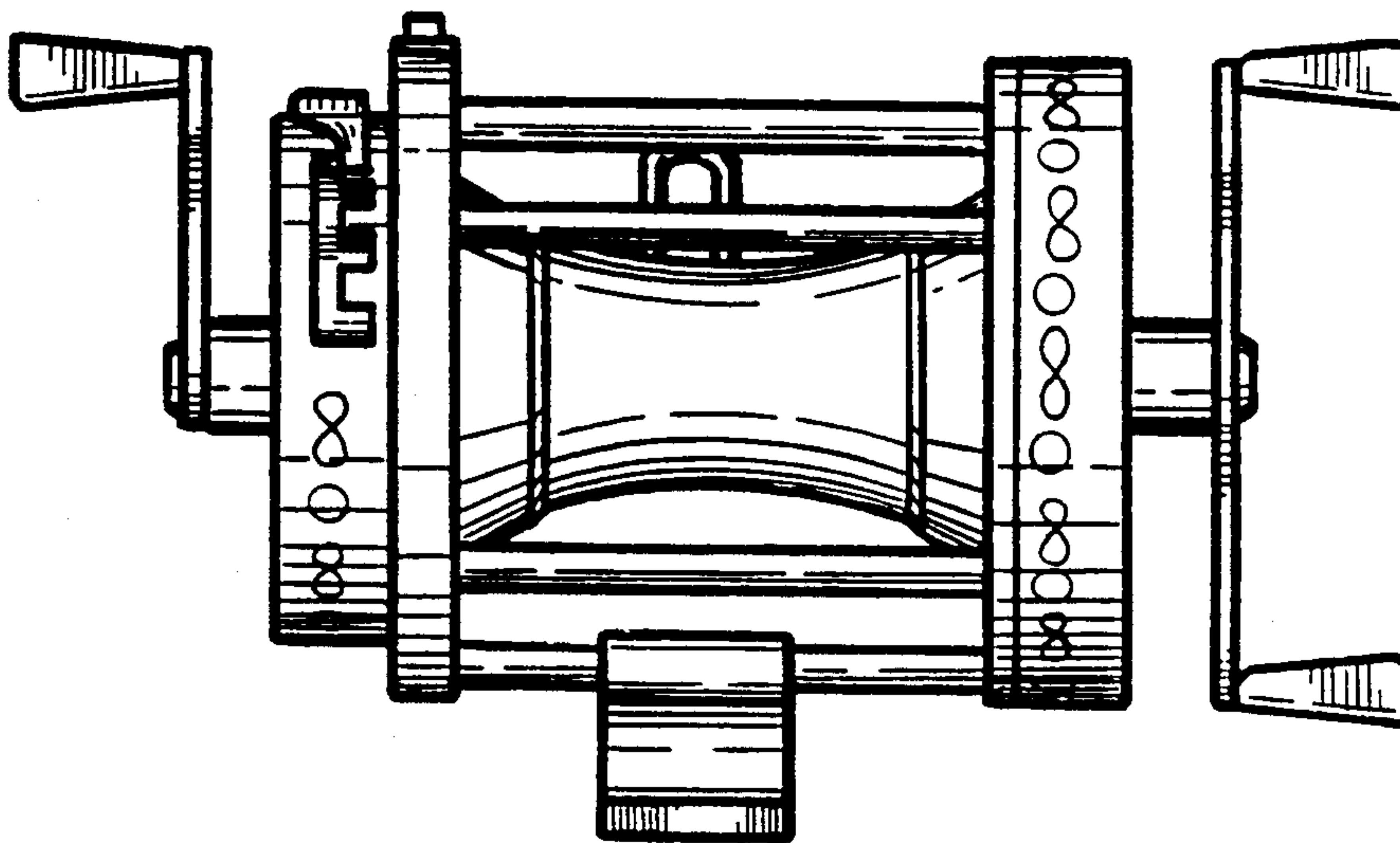


FIG. 3

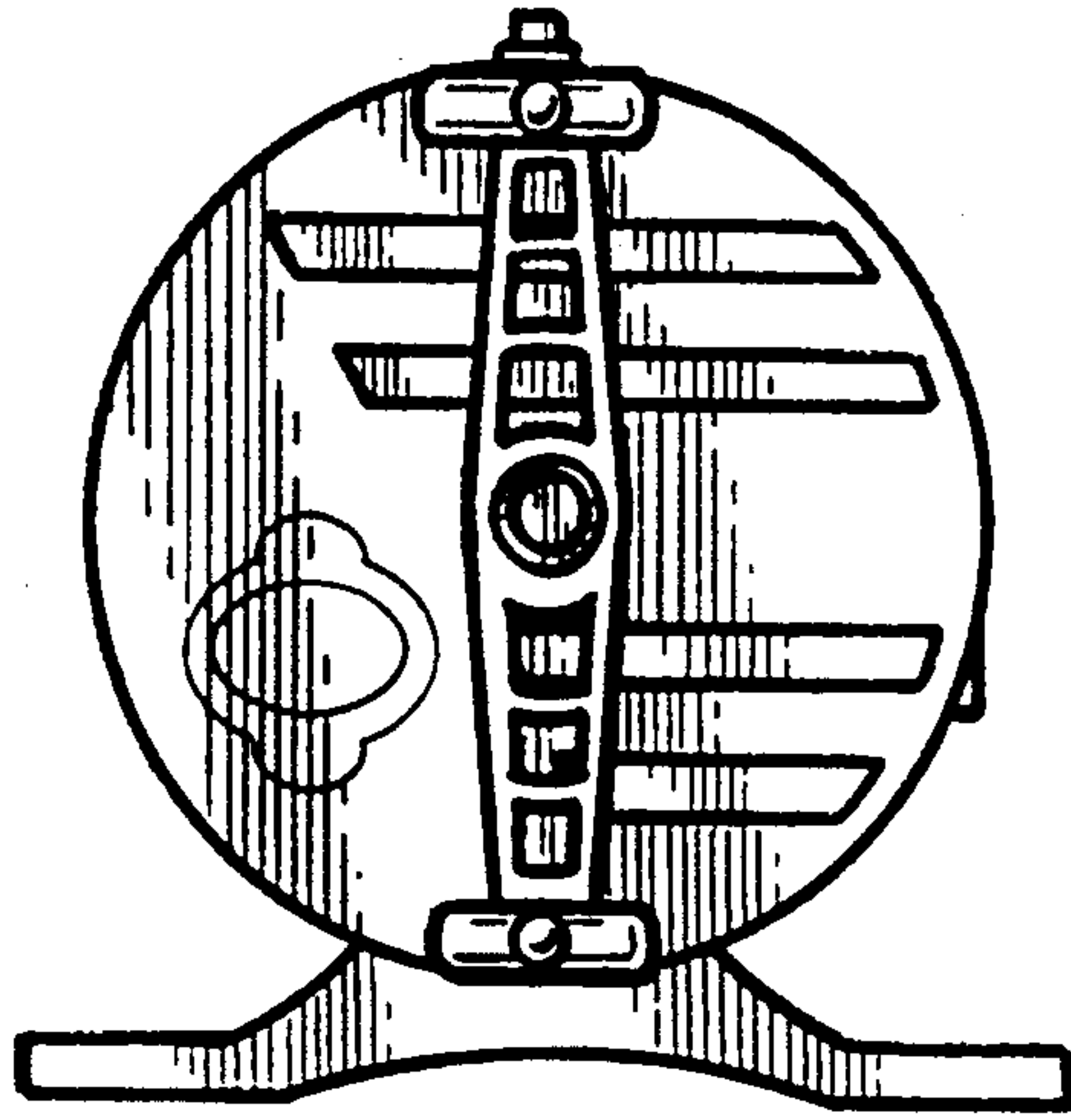


FIG. 4

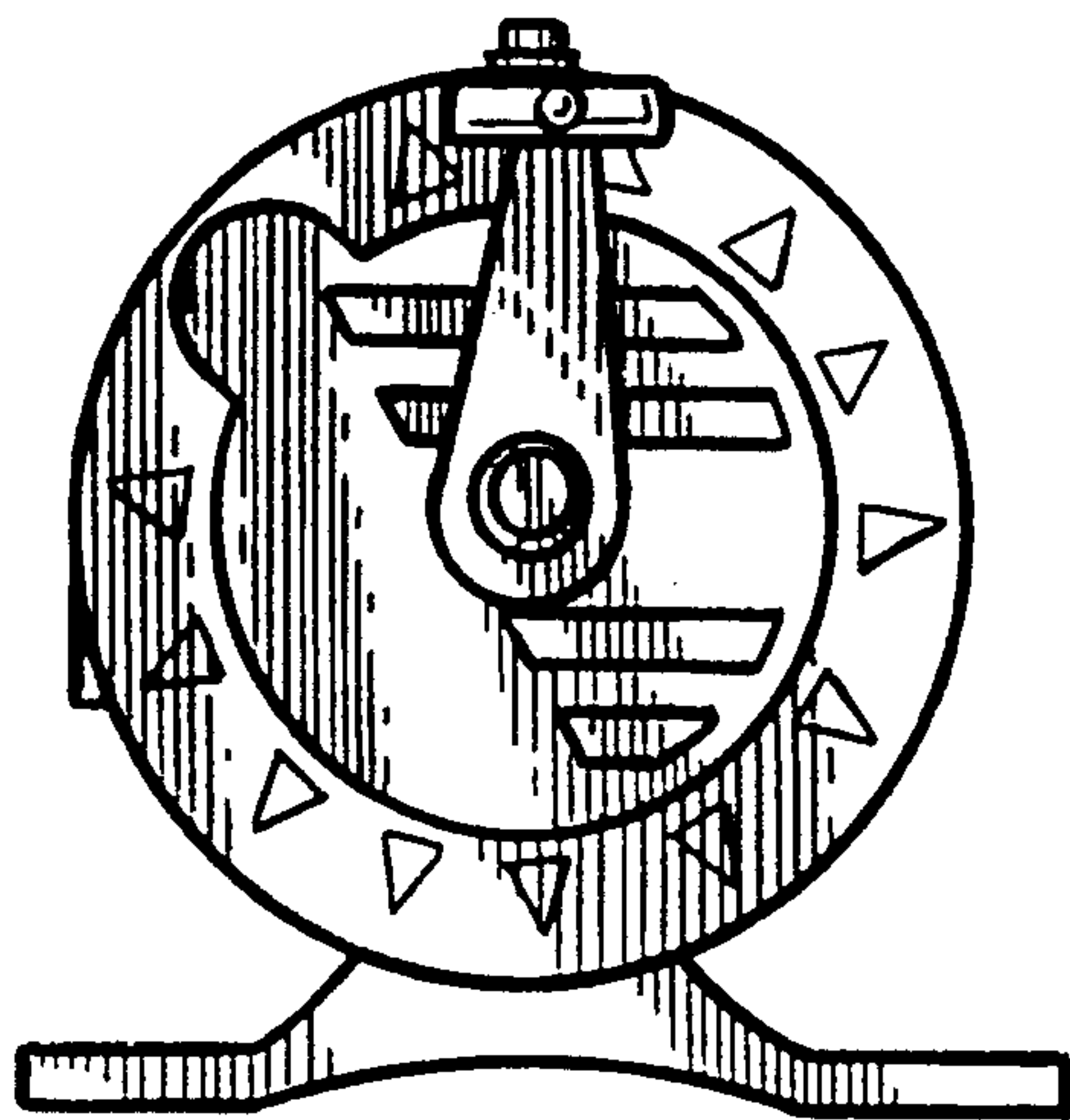


FIG. 5

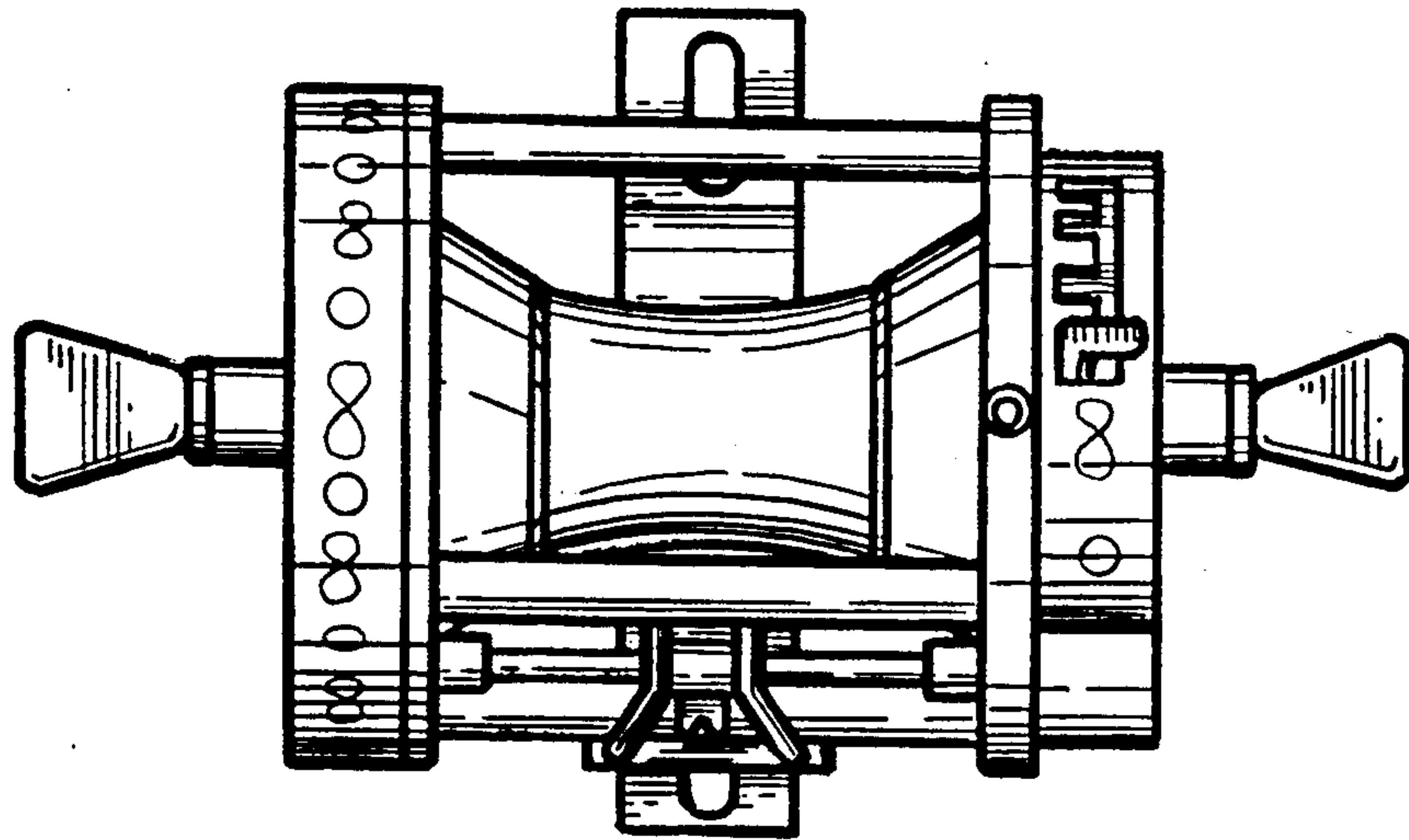


FIG. 6

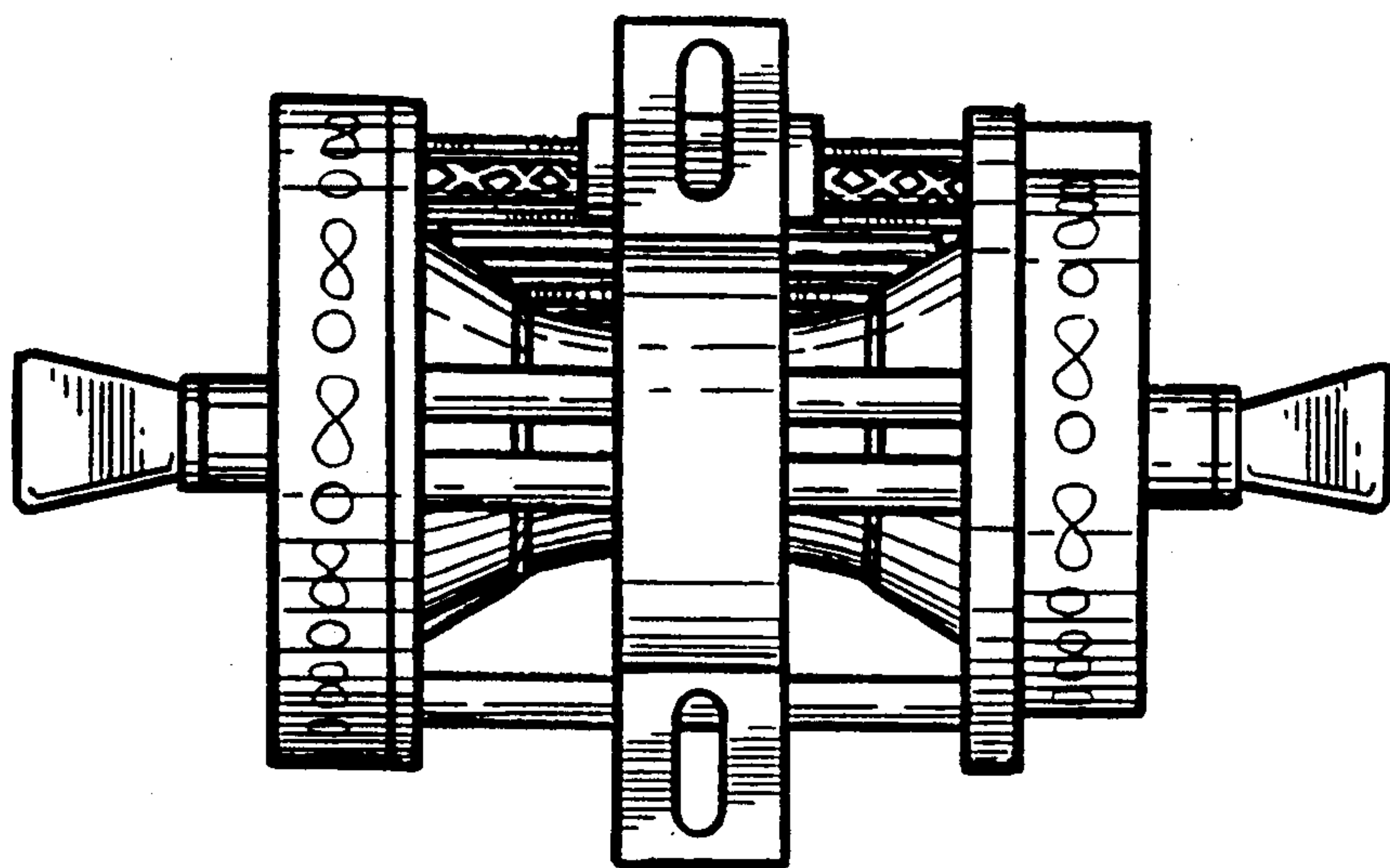


FIG. 7