



US00D332988S

United States Patent [19]

[11] Patent Number: **Des. 332,988**

Pacenti

[45] Date of Patent: **** Feb. 2, 1993**

[54] **ELECTRONIC TICK REMOVER**

[76] Inventor: **James R. Pacenti**, Little Creek Rd.,
Martins Creek, Pa. 18063

[**] Term: **14 Years**

[21] Appl. No.: **614,736**

[22] Filed: **Nov. 15, 1990**

[52] U.S. Cl. **D22/123; D22/122**

[58] Field of Search **D22/119, 122, 123;**
D24/144, 146; D8/14.1; 294/99.2, 100; 606/43,
44, 131, 211, 51, 52; 89/1.11; 43/98, 112, 121,
107, 110, 111, 134, 144

4,979,771 12/1990 Childs, III 606/51 X
 5,002,323 3/1991 Idsund 294/100
 5,078,729 1/1992 Eichhorn 294/99.2

FOREIGN PATENT DOCUMENTS

3824320 1/1990 Fed. Rep. of Germany 43/134

Primary Examiner—A. Hugo Word
Assistant Examiner—Doris V. Coles
Attorney, Agent, or Firm—Eckert Seamans Cherin &
 Mellott

[57] CLAIM

The ornamental design for an electronic tick remover, as shown and described.

[56] References Cited

U.S. PATENT DOCUMENTS

1,869,015	9/1889	Murakami et al.	43/98
2,931,680	4/1960	Kaspaul	294/100
3,971,292	7/1976	Paniagua	89/1.11
4,016,881	4/1977	Rioux et al.	606/51
4,213,460	7/1980	Weiner	606/131
4,442,837	4/1984	Keatley	606/131
4,938,764	7/1990	Glaberson	606/131

DESCRIPTION

FIG. 1 is a perspective view of an electronic tick remover, showing my new design;
 FIG. 2 is a top plan view thereof;
 FIG. 3 is a front elevational view thereof;
 FIG. 4 is a right side elevational view, the left side being a mirror image thereof;
 FIG. 5 is a bottom plan view thereof; and,
 FIG. 6 is a rear elevational view thereof.

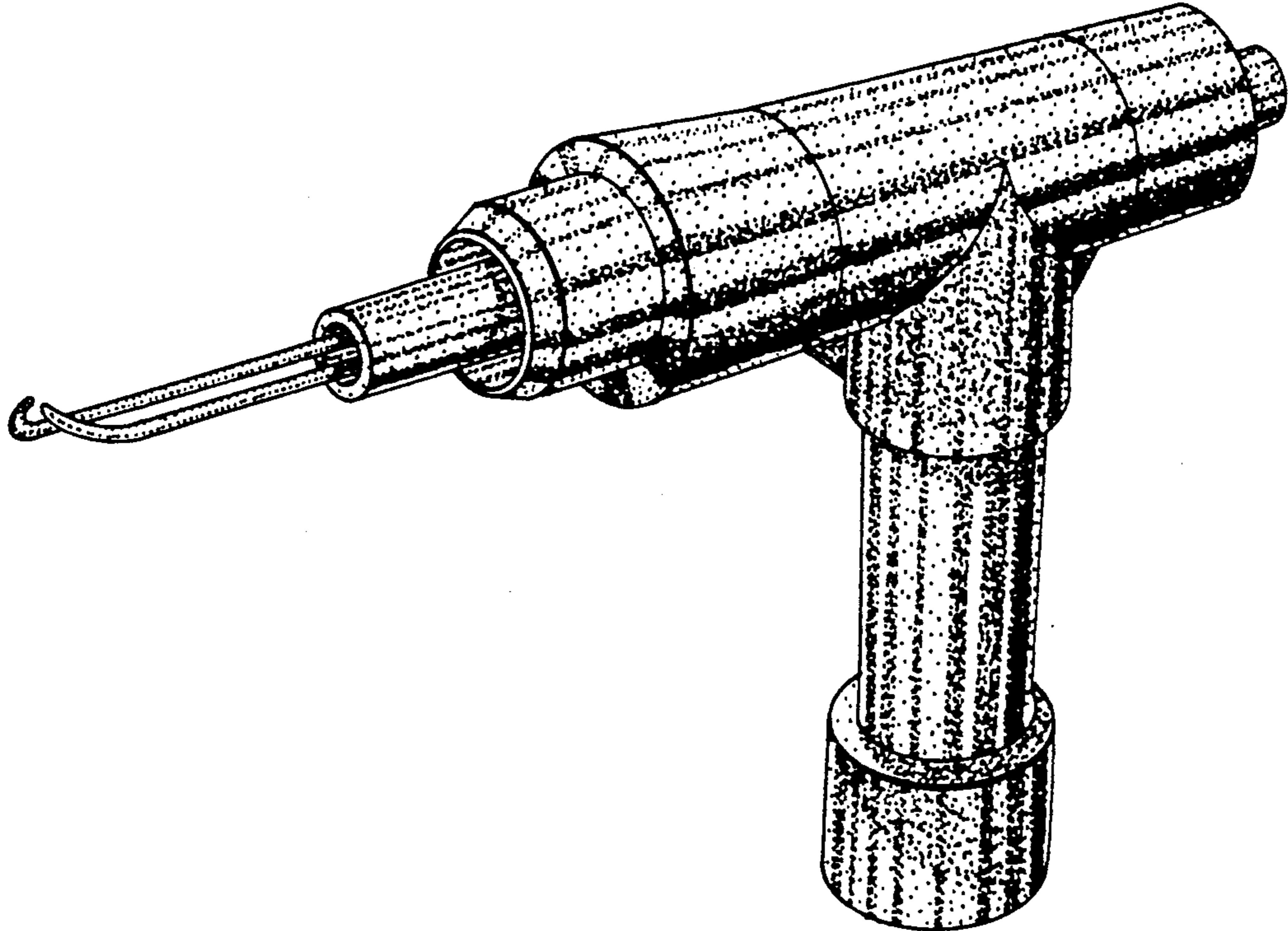


Fig. 1.

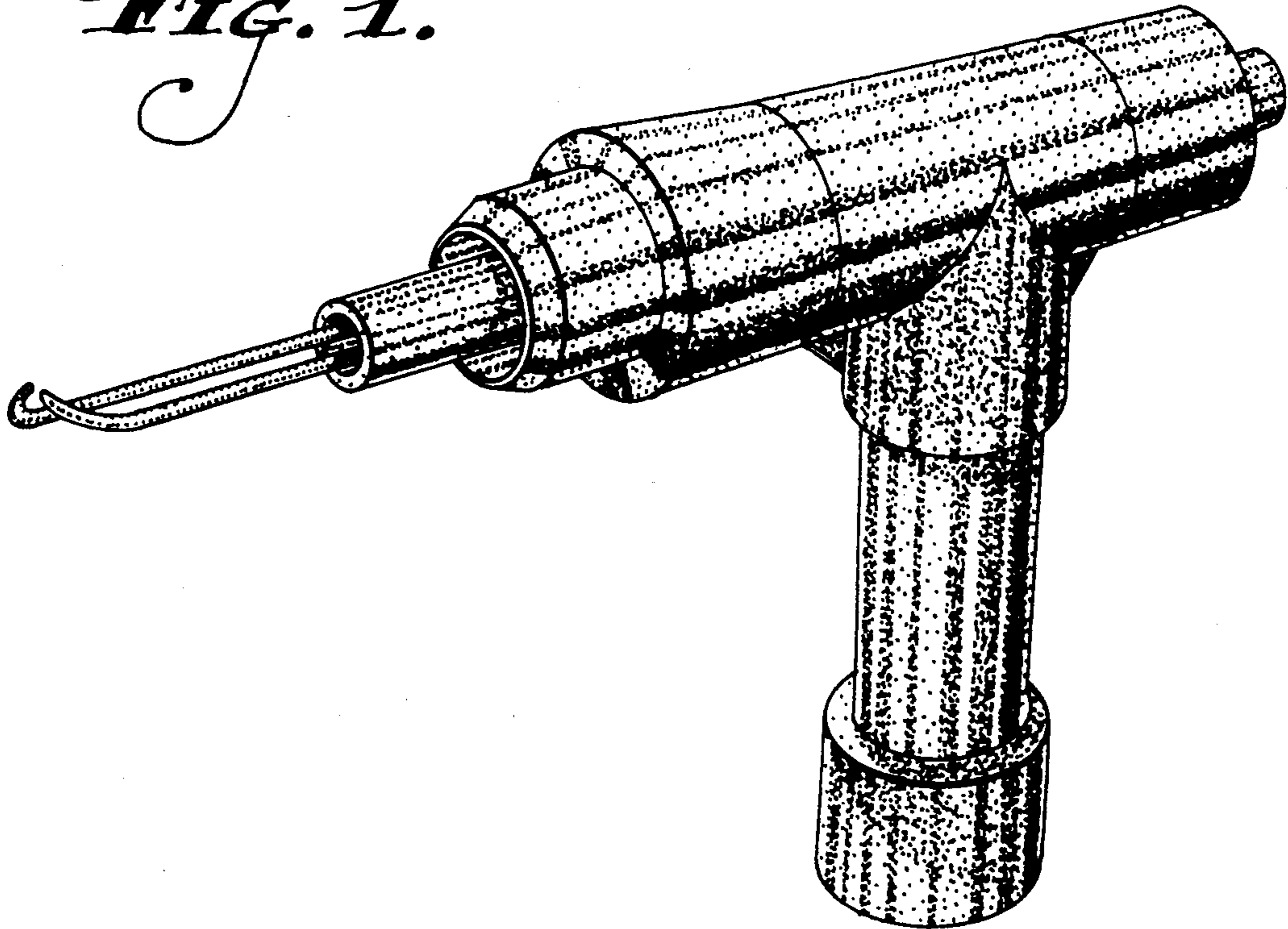


Fig. 2.

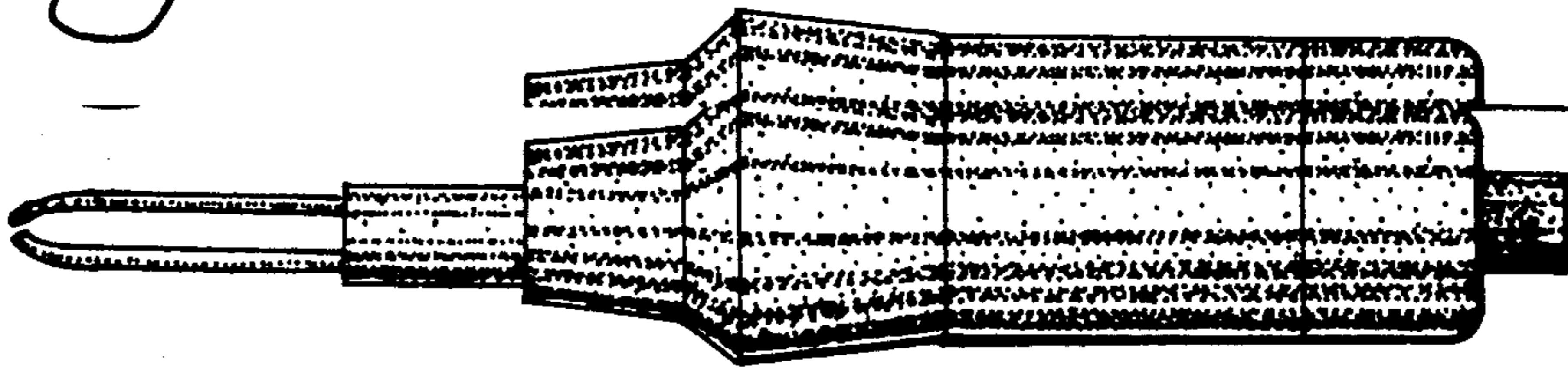


Fig. 3.

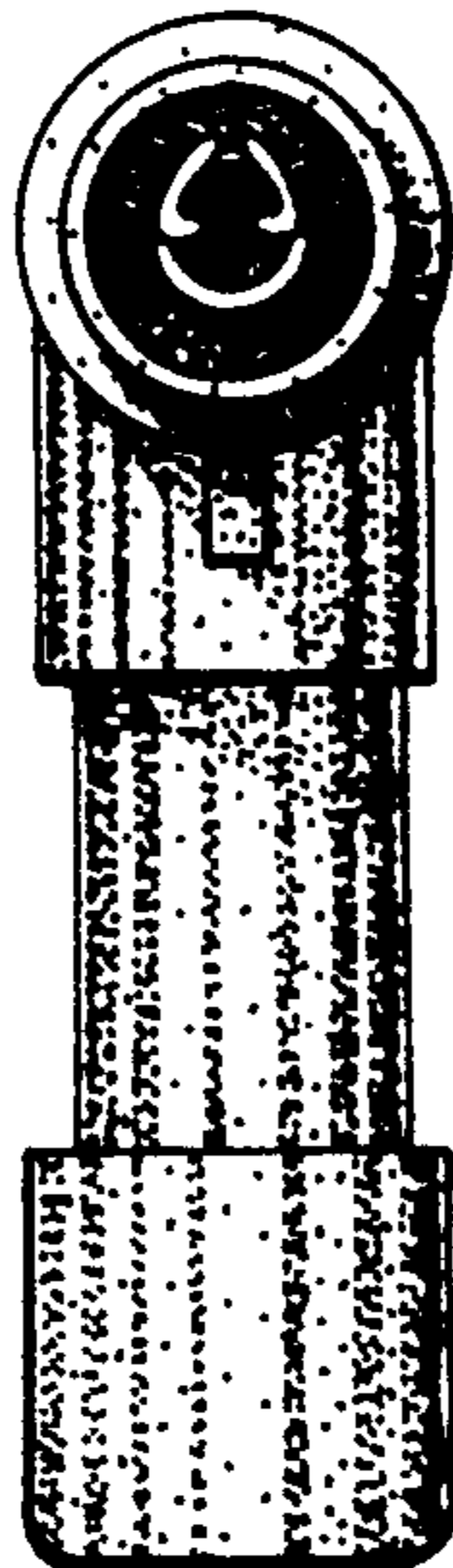


Fig. 4.

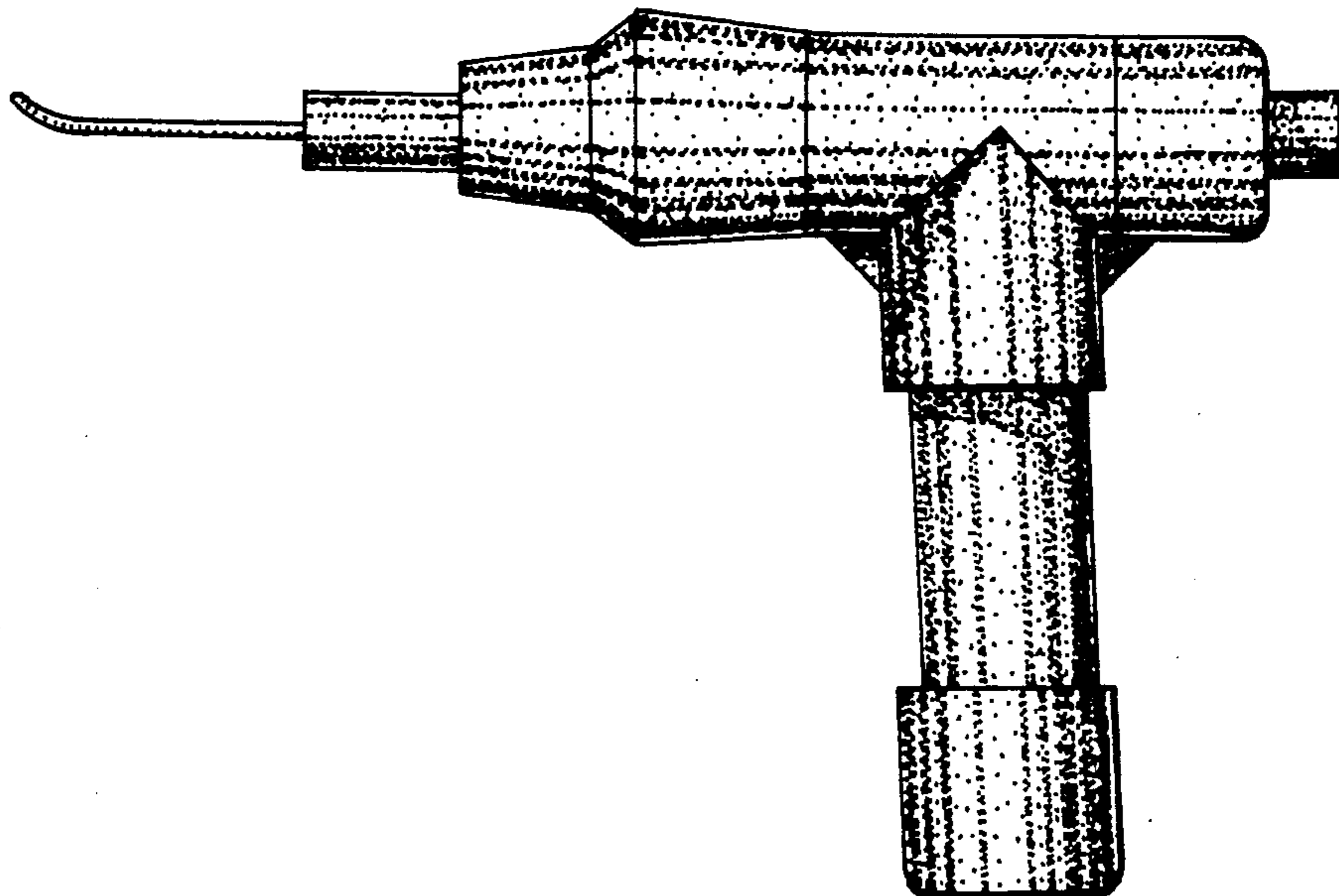


Fig. 5.

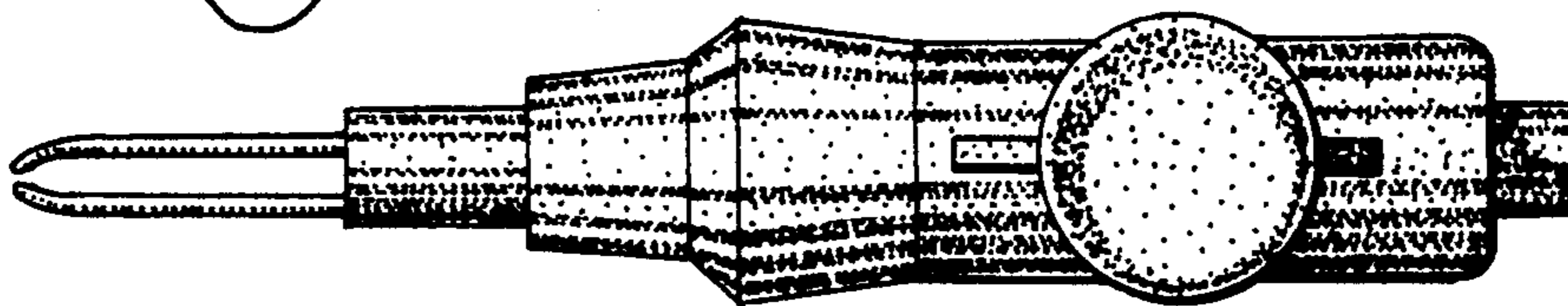


Fig. 6.

