



US00D332986S

United States Patent [19]

[11] Patent Number: **Des. 332,986**

Choi

[45] Date of Patent: **** Feb. 2, 1993**

[54] **TENT**

[75] Inventor: **Kye S. Choi, Seoul, Rep. of Korea**

[73] Assignee: **Banpo Corporation, Seoul, Rep. of Korea**

[**] Term: **14 Years**

[21] Appl. No.: **648,399**

[22] Filed: **Jan. 30, 1991**

[52] U.S. Cl. **D21/253**

[58] Field of Search **D21/253, 254; 135/90, 135/102, 104, 105, 98, 99; D25/16, 56**

[56] **References Cited**

U.S. PATENT DOCUMENTS

D. 229,241	11/1973	Pohl	D21/253
3,168,101	2/1965	Porter	135/105
3,834,410	9/1974	Leibel	135/105
3,951,159	4/1976	Robinson	135/104
4,827,958	5/1989	Cantwell	135/104

OTHER PUBLICATIONS

Coleman Canvas Products catalog 1983, p. 2 "bottom of page".

Camel for '83 catalog p. 9, top of page.

Primary Examiner—Bernard Ansher

Assistant Examiner—R. Barkai

Attorney, Agent, or Firm—Jerry Cohen; Harvey Kaye

[57] **CLAIM**

The ornamental design for a tent, as shown and described.

DESCRIPTION

FIG. 1 is a perspective view of a tent showing my new design;

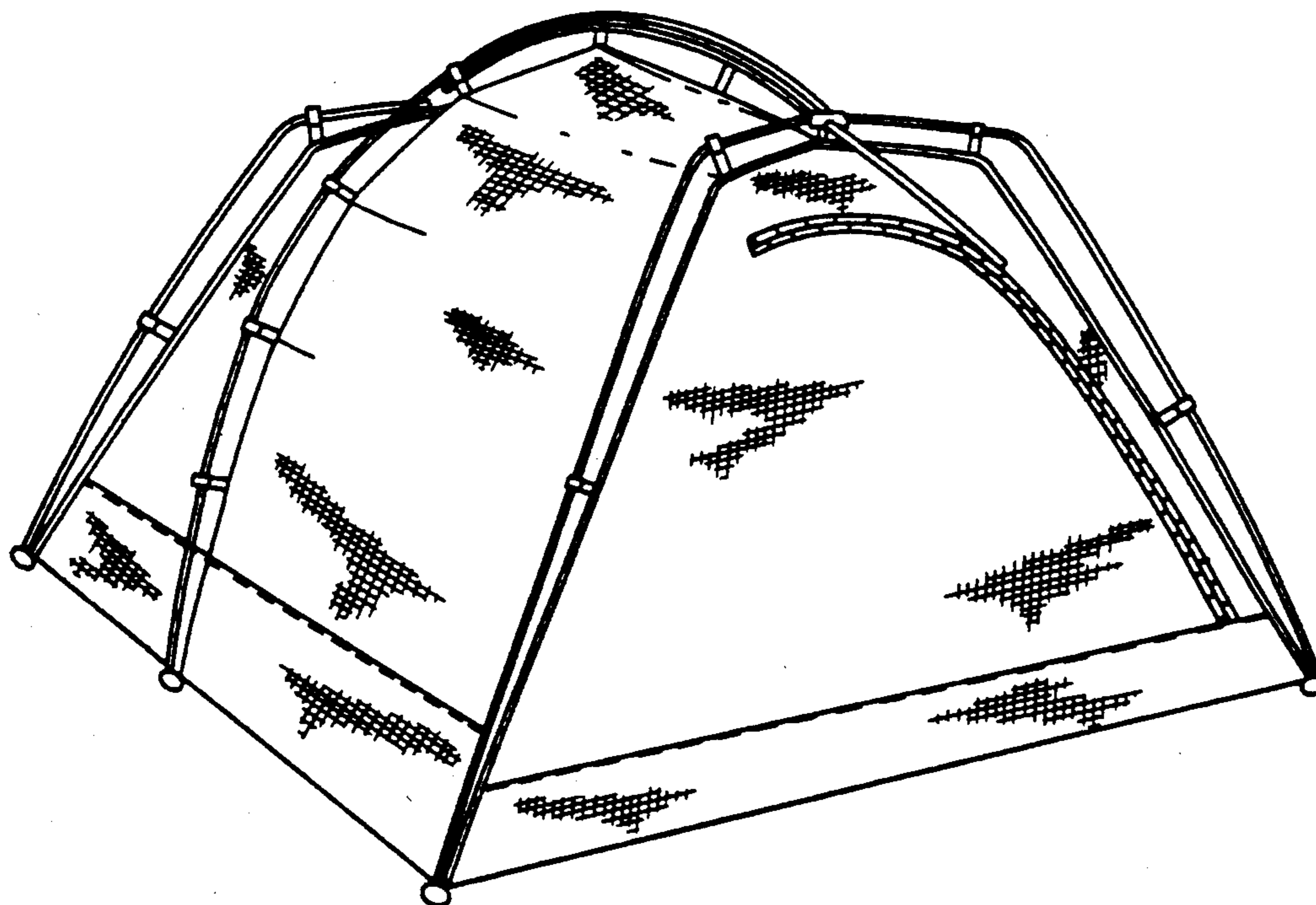
FIG. 2 is a top plan view thereof;

FIG. 3 is a front elevational view thereof;

FIG. 4 is a bottom plan view thereof;

FIG. 5 is a right side elevational view thereof, the side opposite being a mirror image thereof; and,

FIG. 6 is a sectional view thereof taken along the line 6—6 of FIG. 2.



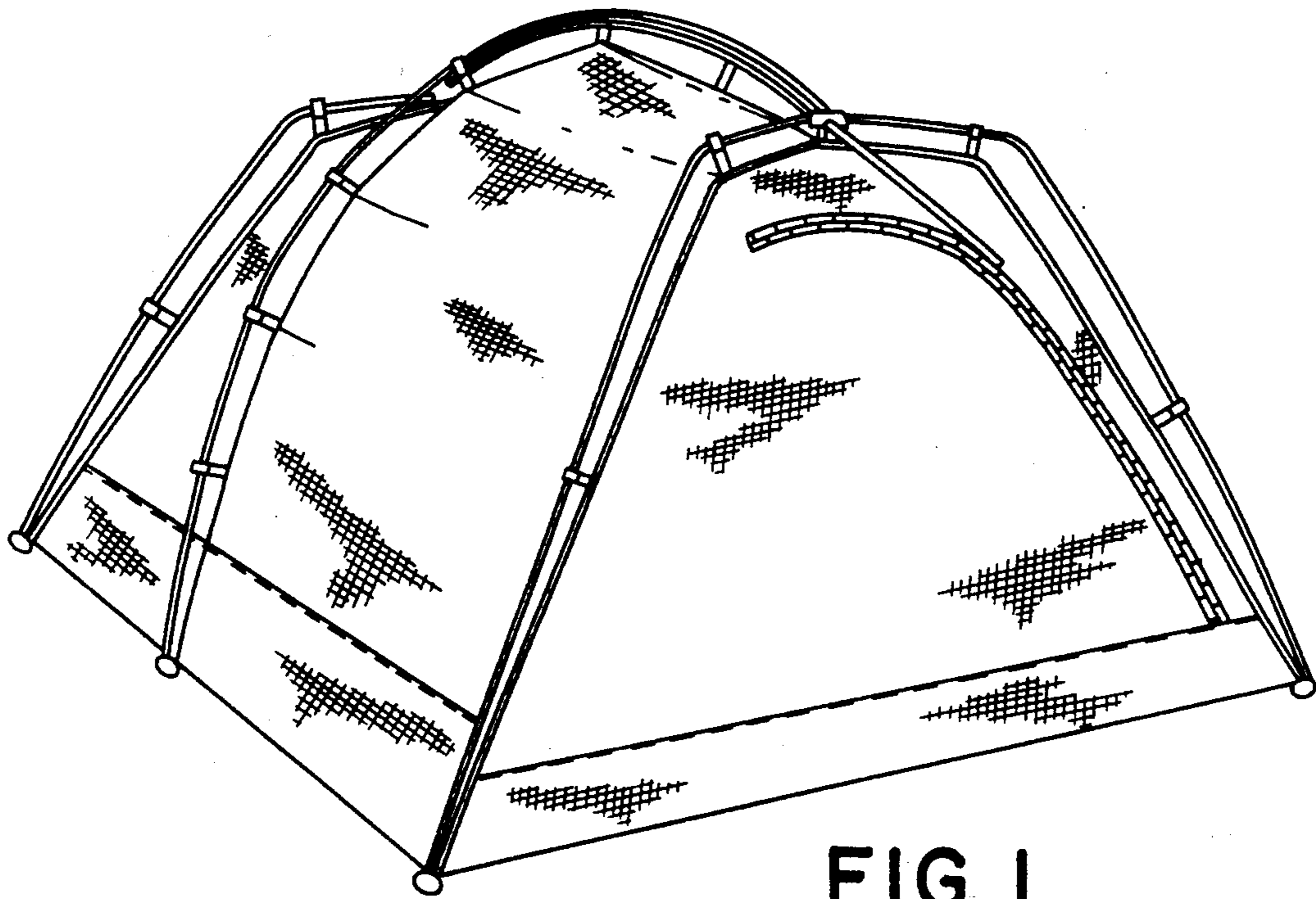
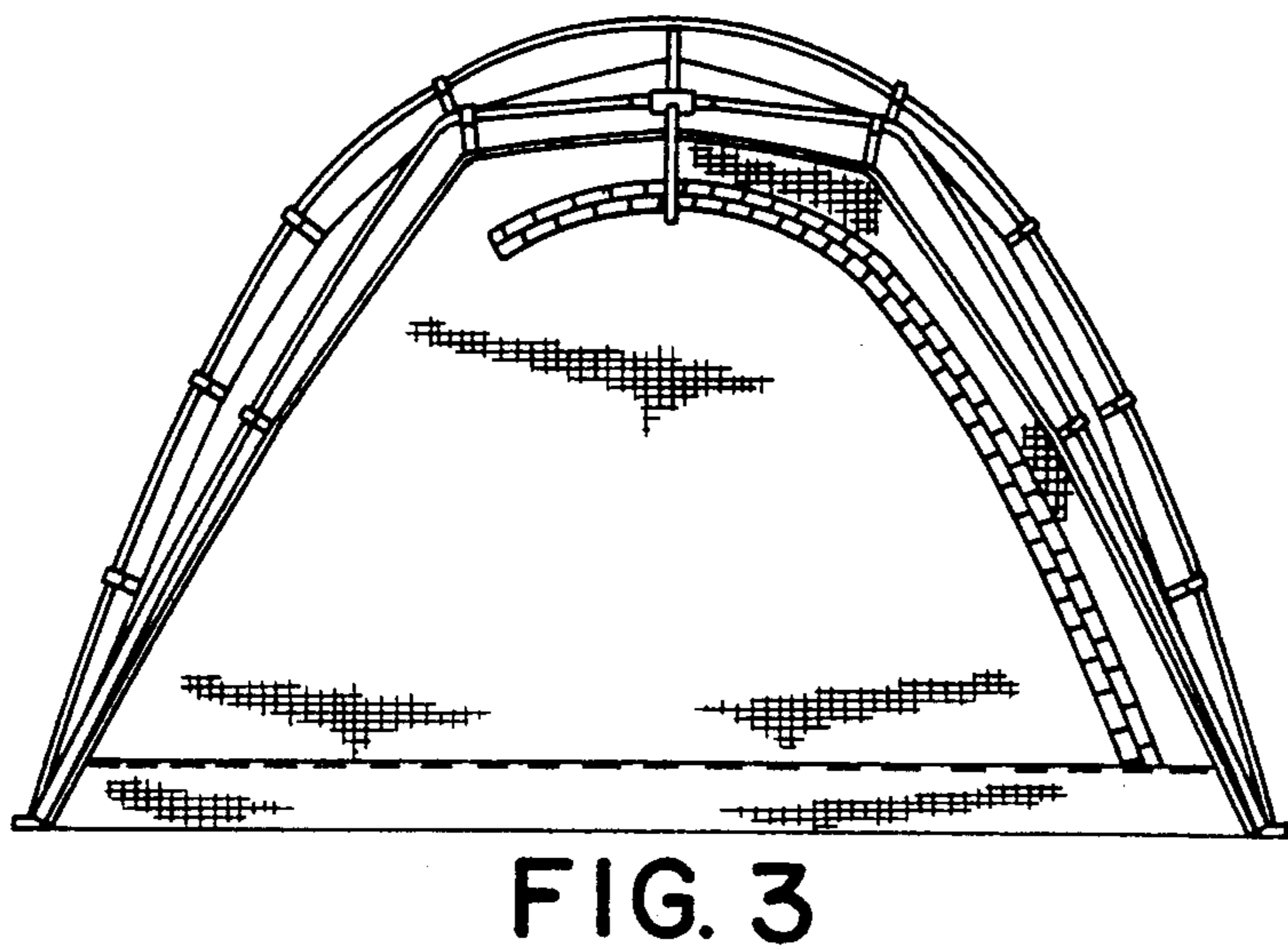
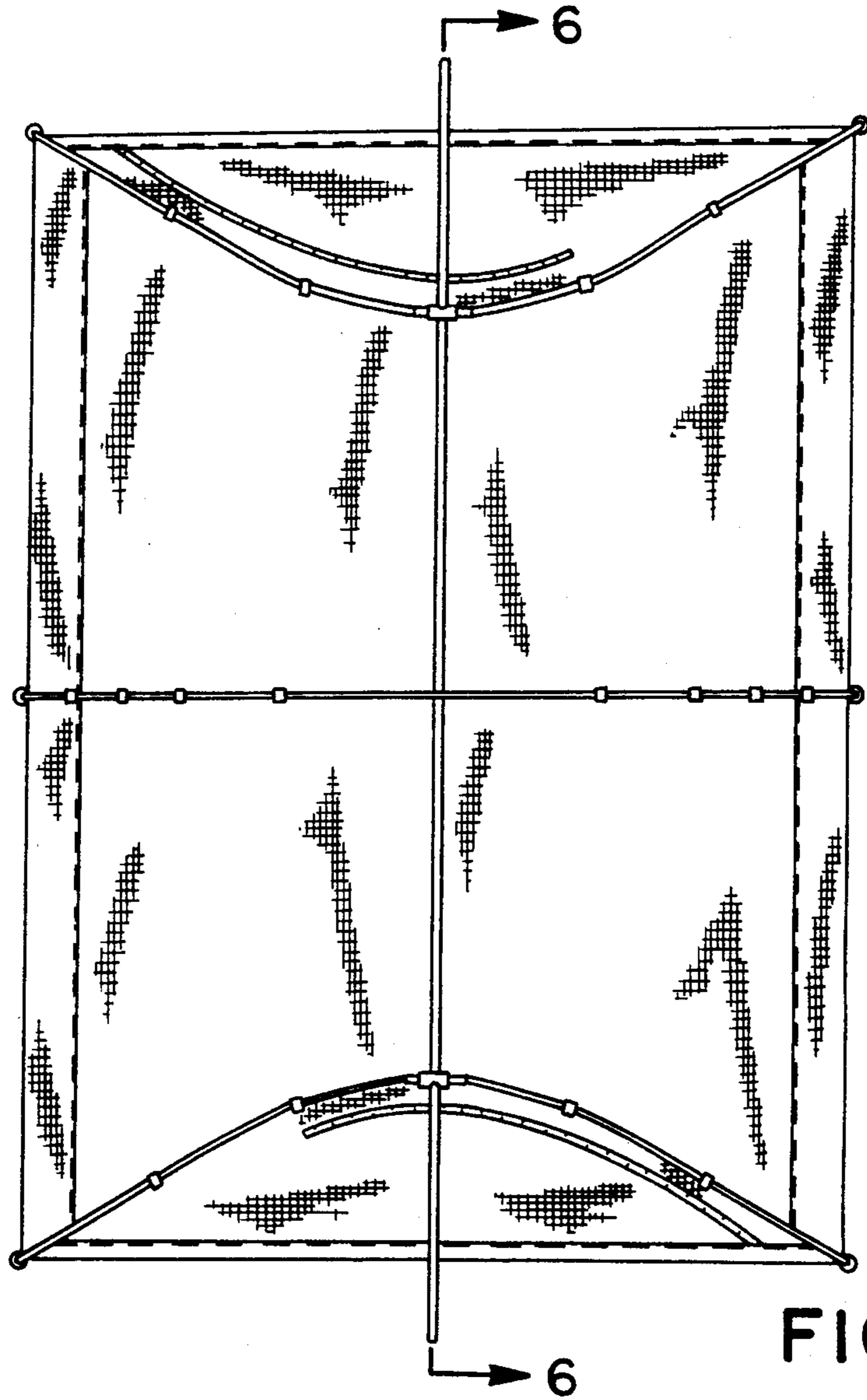


FIG. 1



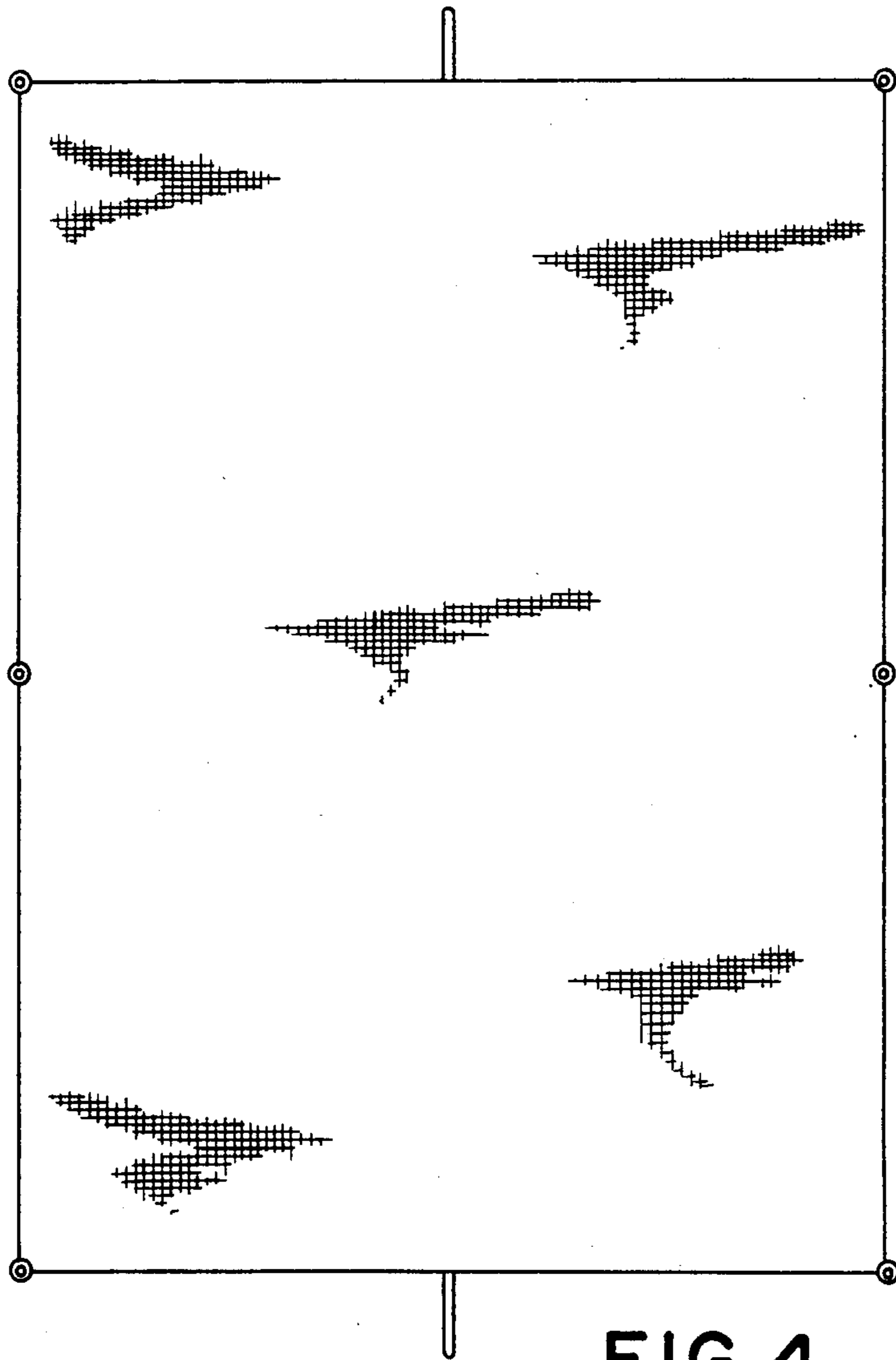


FIG. 4

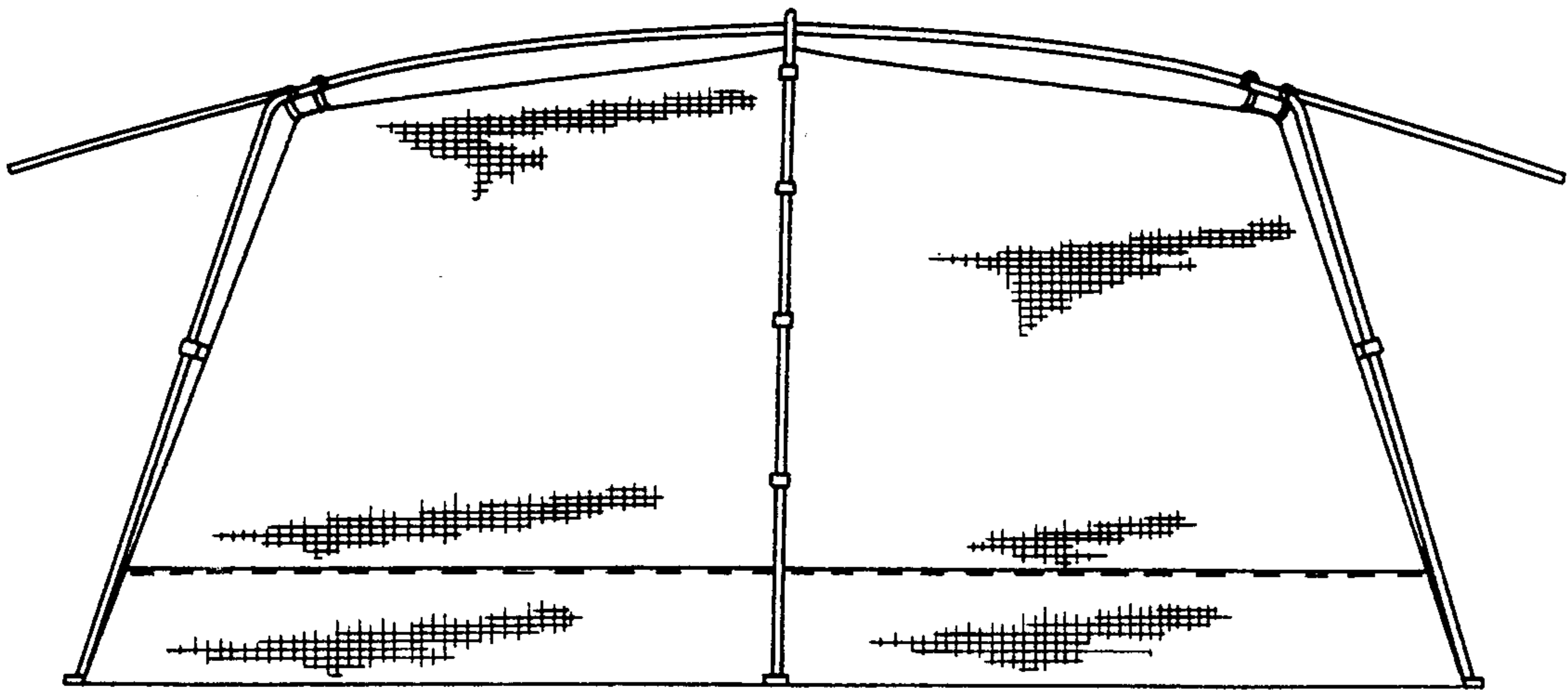


FIG. 5

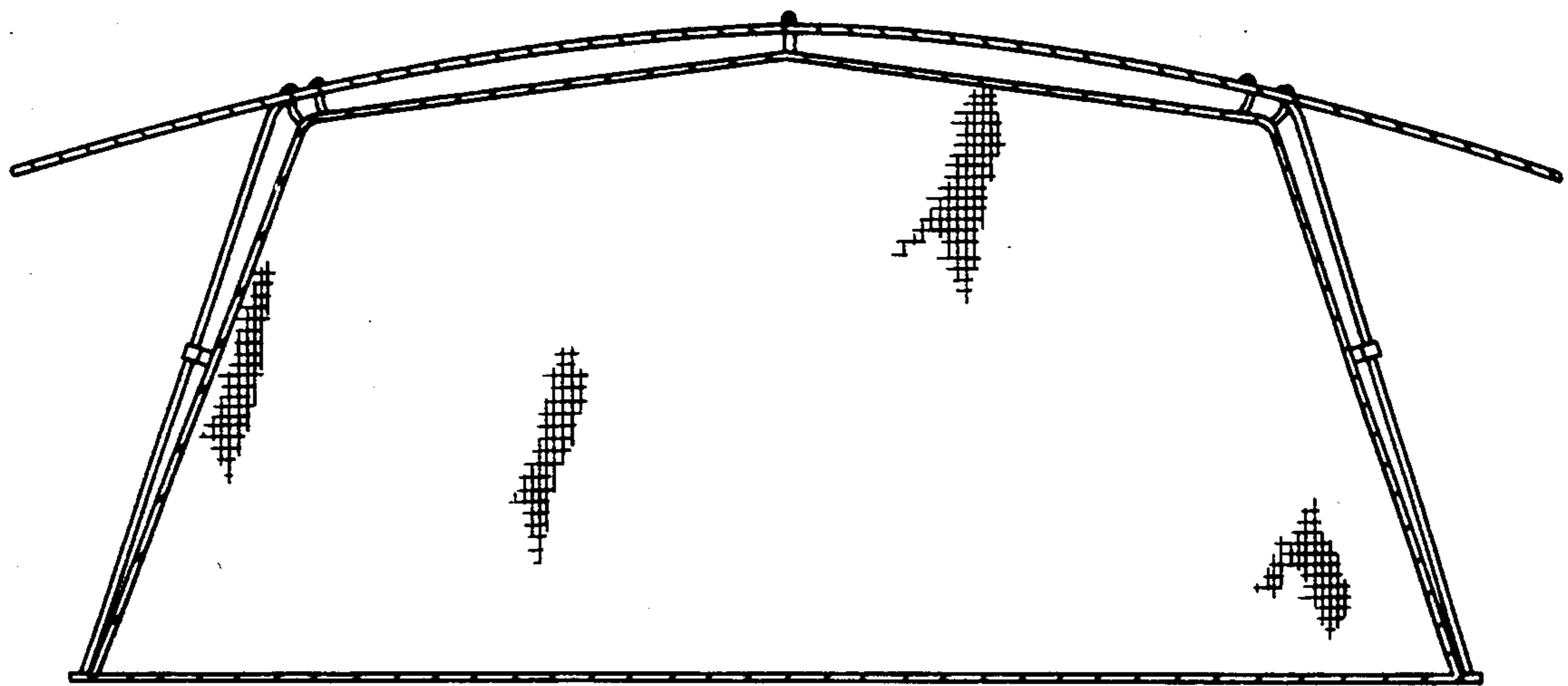


FIG. 6