



US00D332981S

United States Patent [19] Poli

[11] Patent Number: **Des. 332,981**
[45] Date of Patent: **** Feb. 2, 1993**

[54] **PUSHUP STAND**
[76] Inventor: **James R. Poli, 629 Beatty Rd.,
Monroeville, Pa. 15146**
[**] Term: **14 Years**
[21] Appl. No.: **570,704**
[22] Filed: **Aug. 22, 1990**
[52] U.S. Cl. **D21/198**
[58] Field of Search **D21/191, 198, 107, 108;
482/141**

4,621,806 11/1986 Wheeler 482/141
4,854,573 8/1989 Johansson et al. 482/141
4,892,305 1/1990 Lynch 482/141

Primary Examiner—Bernard Ansher
Assistant Examiner—P. Hyden
Attorney, Agent, or Firm—Terry M. Gernstein

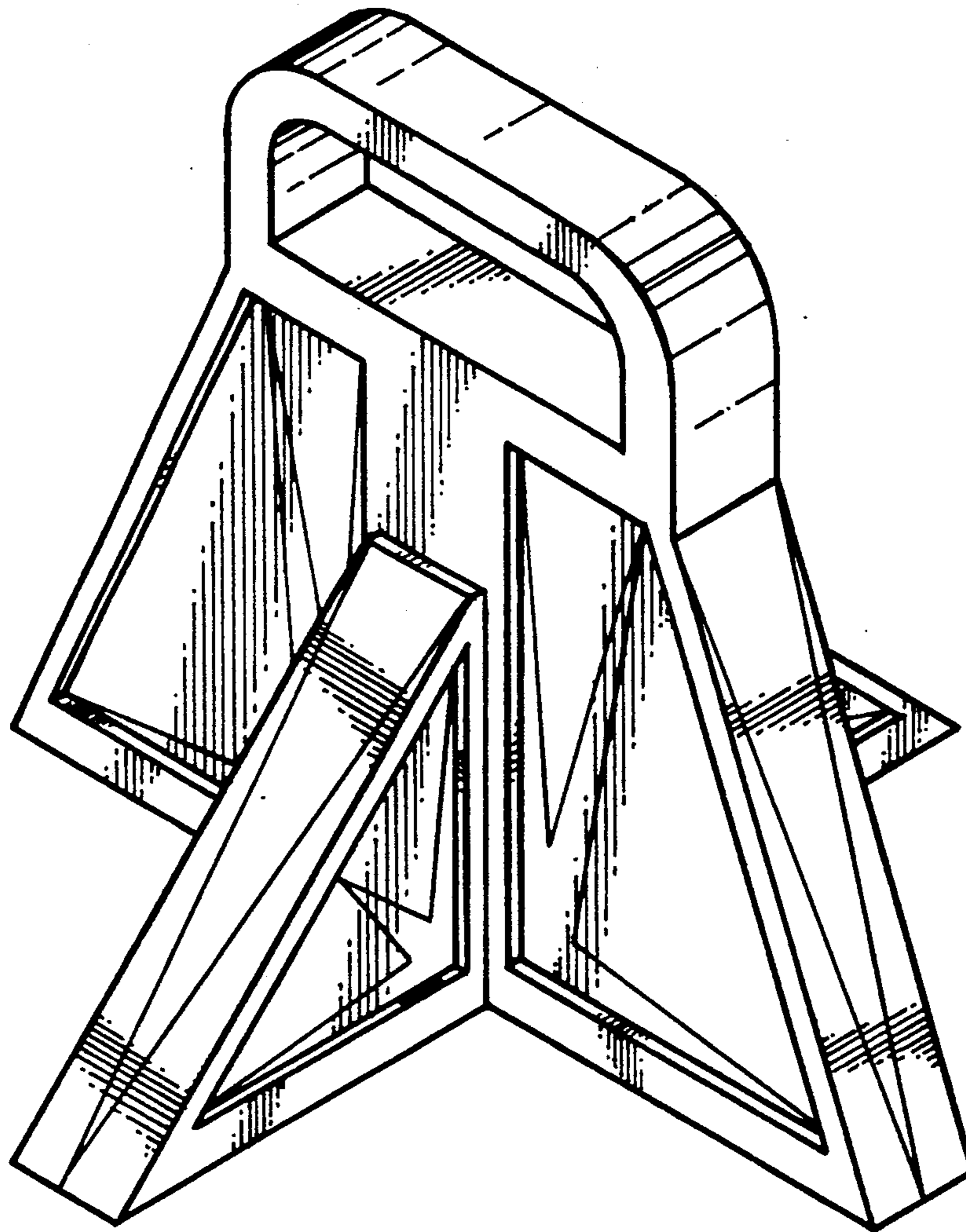
[57] CLAIM

The ornamental design for pushup stand, as shown and described.

DESCRIPTION

FIG. 1 is a perspective view of a pushup stand showing my new design, shown exploded for clarity of illustration;
FIG. 2 is a perspective view thereof, shown in an assembled state;
FIG. 3 is a front elevational view of FIG. 2, the rear view being a mirror image;
FIG. 4 is side elevational view of FIG. 2;
FIG. 5 is a top plan view of FIG. 2; and,
FIG. 6 is a bottom plan view of FIG. 2.

[56] **References Cited**
U.S. PATENT DOCUMENTS
D. 269,691 7/1983 Ornstein et al. D21/191
3,115,338 12/1963 Acs et al. 482/141
4,232,863 11/1980 Roach 482/141
4,327,907 5/1982 DeVries 482/141
4,351,525 9/1982 Rozenblad 482/141
4,358,106 11/1982 Shadford 482/141
4,610,448 9/1986 Hill 482/141



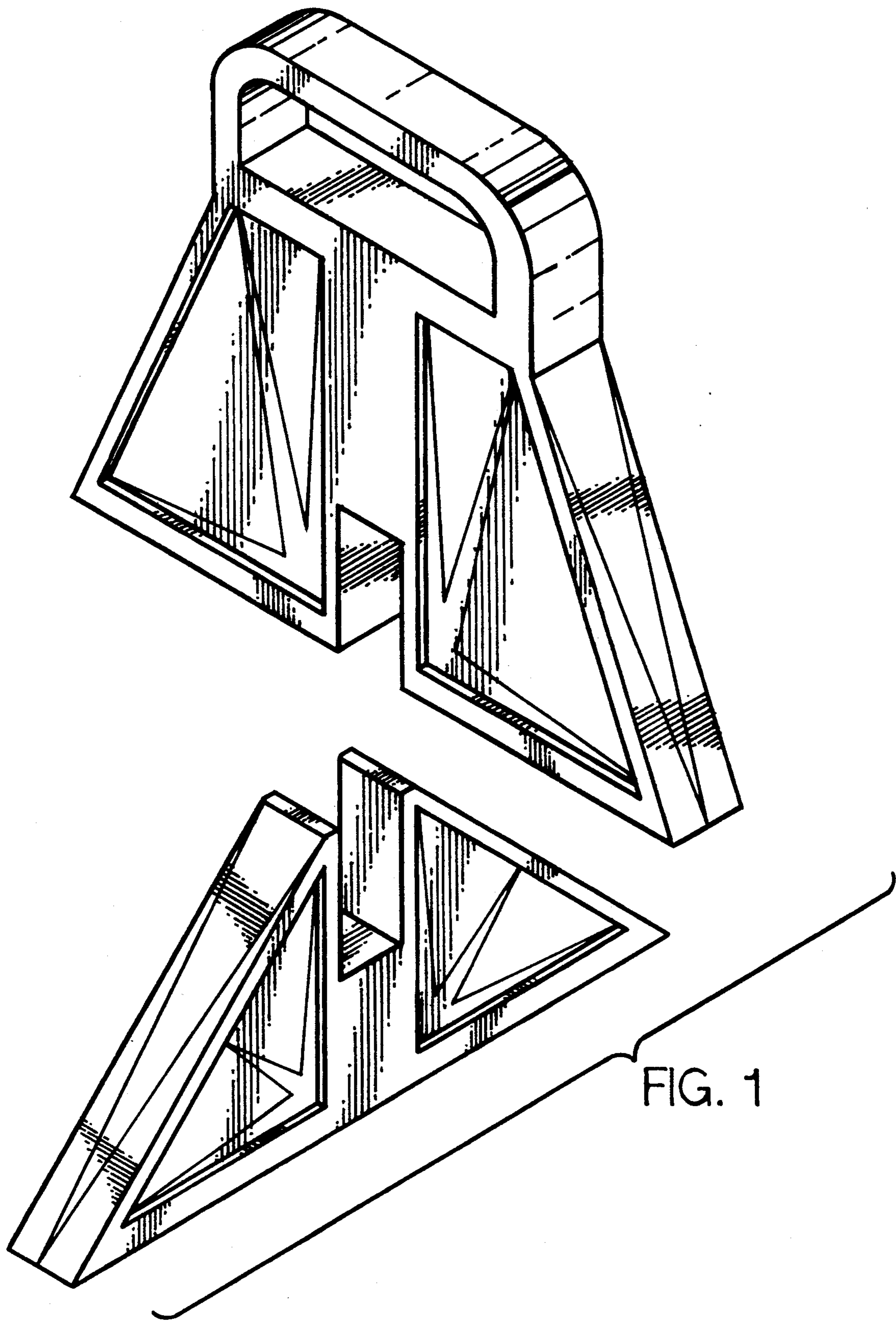


FIG. 1

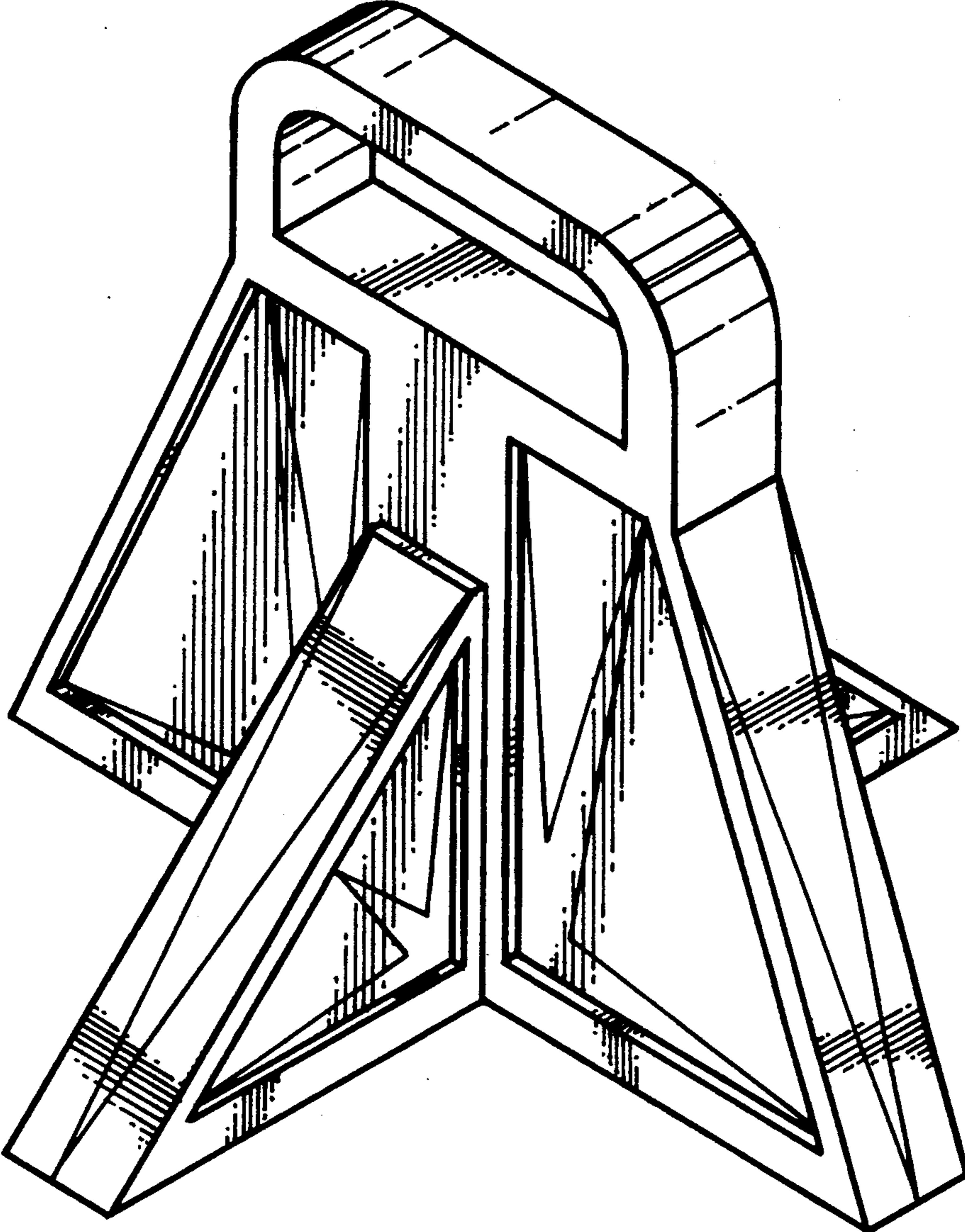


FIG. 2

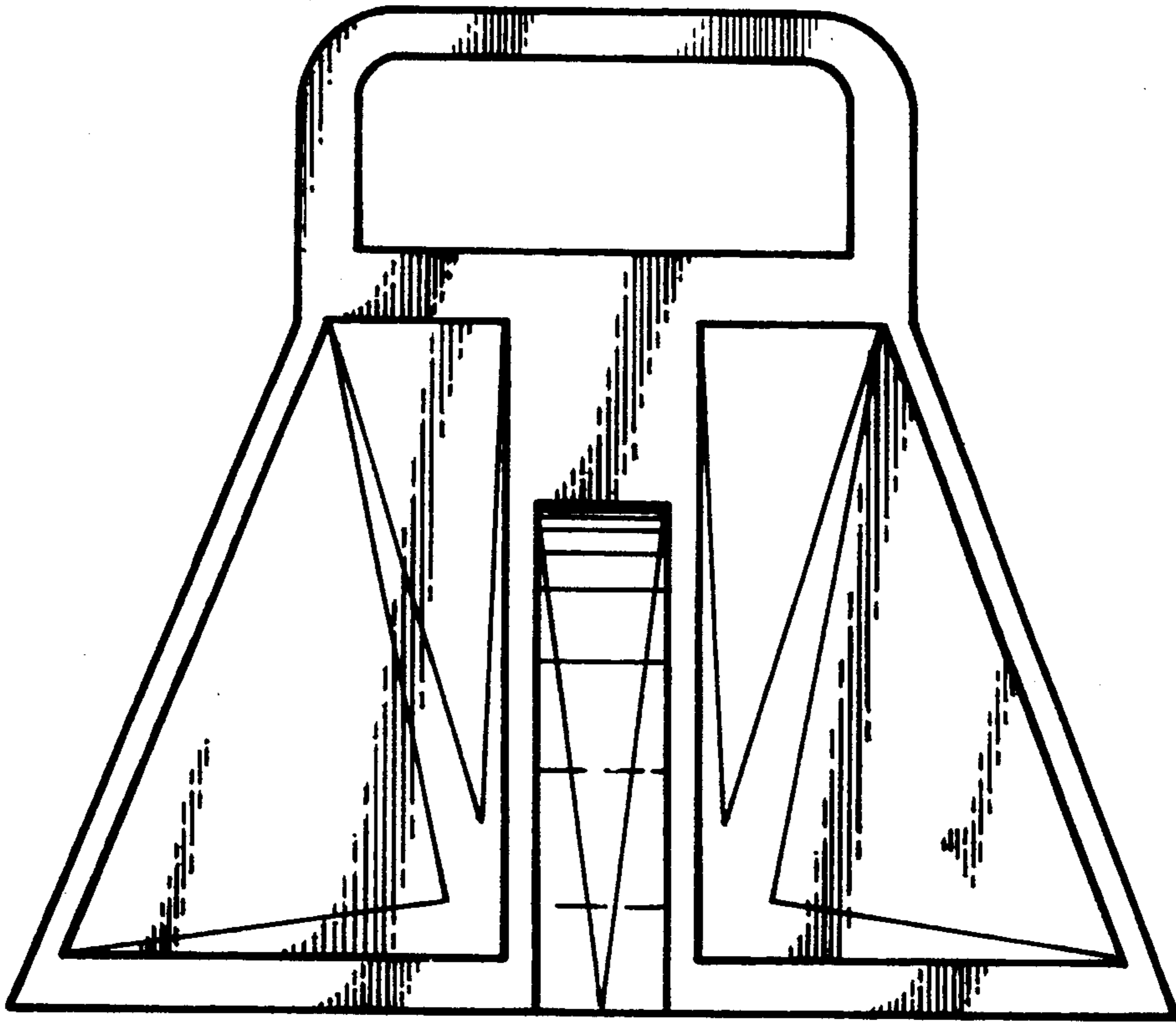


FIG. 3

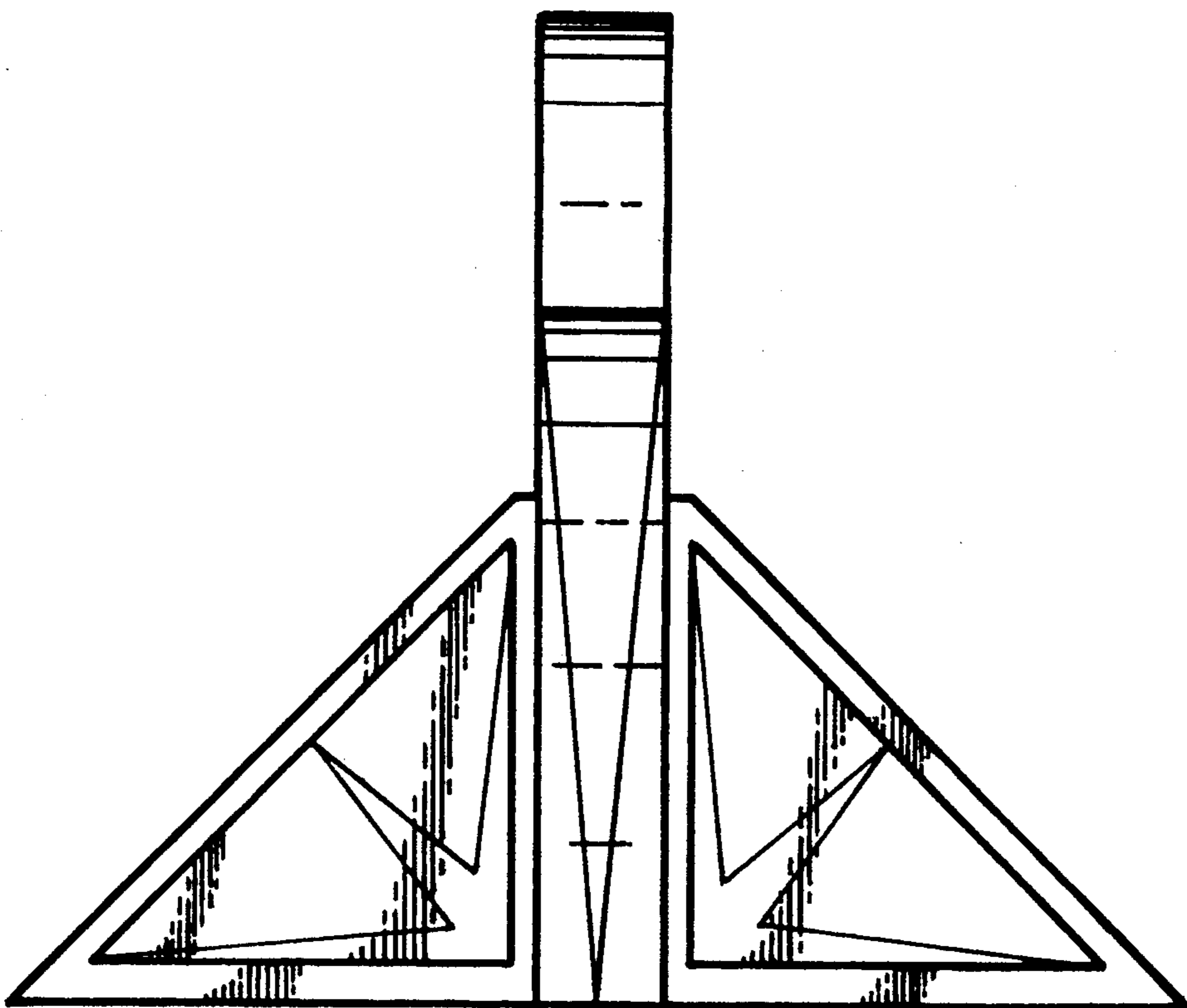


FIG. 4

