



US00D332980S

United States Patent [19]

[11] Patent Number: **Des. 332,980**

Wilson et al.

[45] Date of Patent: **** Feb. 2, 1993**

[54] **RESISTANCE STRAP FOR AN EXERCISE MACHINE**

D. 315,934 4/1991 Wilson et al. D21/191
D. 315,935 4/1991 Wilson et al. D21/191
D. 315,936 4/1991 Wilson et al. D21/191

[75] Inventors: **Jerry L. Wilson; Jon R. Schneider,**
both of Hillsboro; **Frederick E. Collins,**
Creswell, all of Oreg.

Primary Examiner—Bernard Ansher
Assistant Examiner—P. Hyder
Attorney, Agent, or Firm—Chernoff, Vilhauer

[73] Assignee: **Jerry L. Wilson,** Hillsboro, Oreg.

[57] **CLAIM**

[**] Term: **14 Years**

The ornamental design for a resistance strap for an exercise machine, as shown and described.

[21] Appl. No.: **716,322**

DESCRIPTION

[22] Filed: **Jun. 17, 1991**

[52] U.S. Cl. **D21/191**

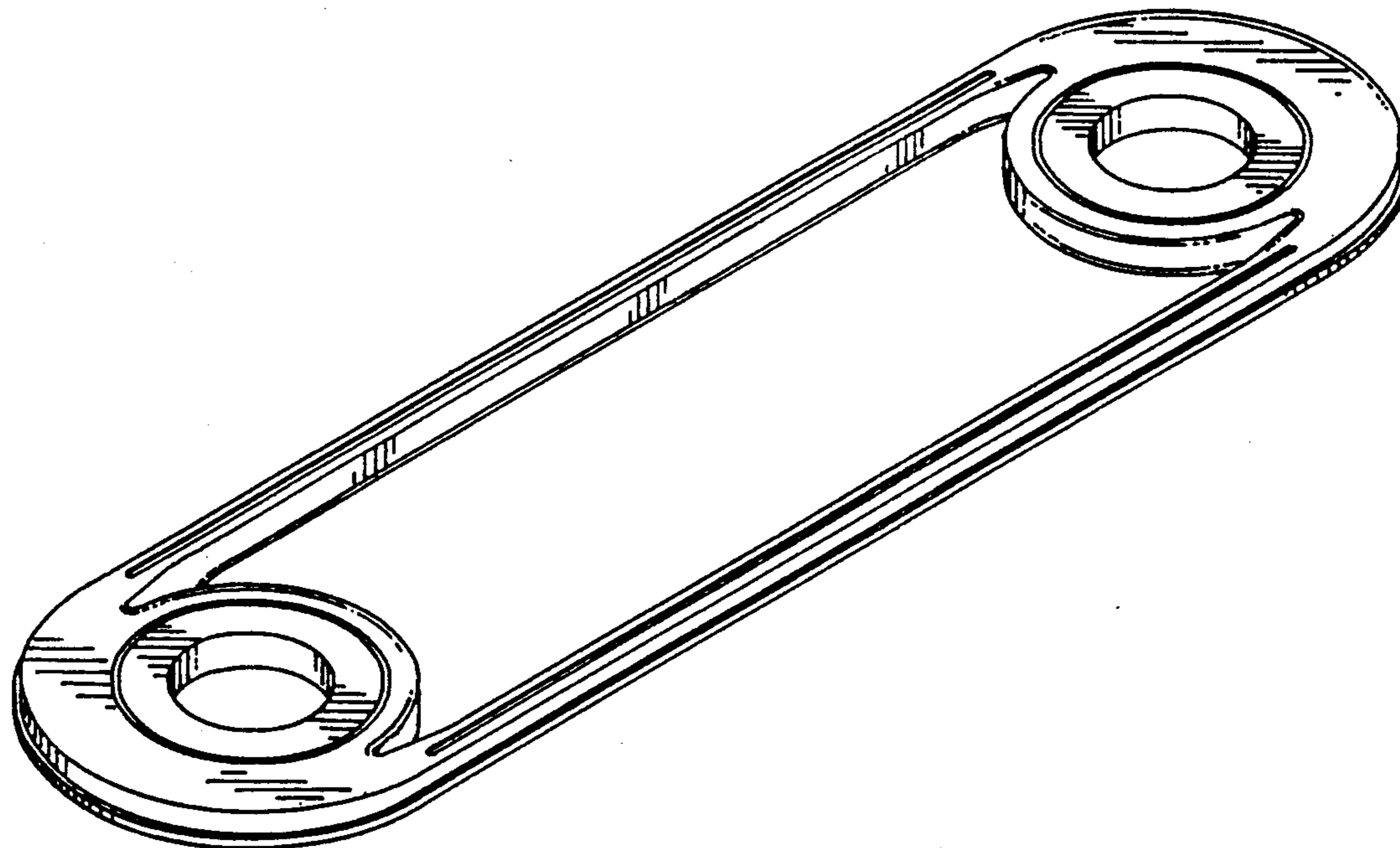
[58] Field of Search **D21/191; 384/125, 220,**
384/296, 297; 482/92, 93, 94, 95, 96, 97, 98;
D12/127

FIG. 1 is a perspective view of the resistance strap for an exercise machine showing our new design;
FIG. 2 is a top plan view thereof, the bottom plan view being a mirror image;
FIG. 3 is a right side elevational view thereof, the left side being a mirror image;
FIG. 4 is a front elevational view thereof, the rear being a mirror image; and,
FIG. 5 is a cross sectional view taken along 5—5 of FIG. 2, shown on an enlarged scale.

[56] **References Cited**

U.S. PATENT DOCUMENTS

D. 27,921 11/1897 Sturges D12/127
D. 280,224 8/1985 Wilson D21/191



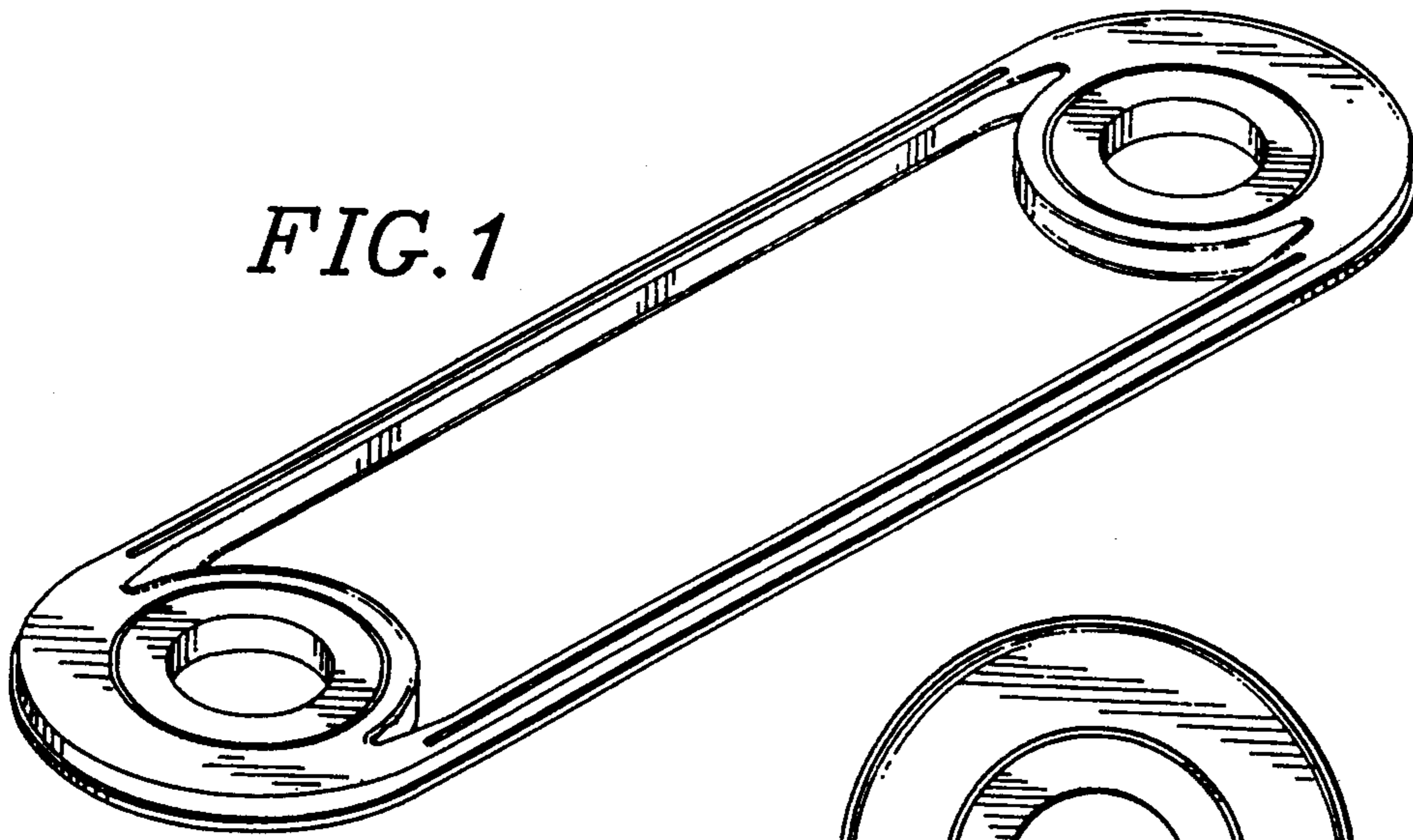


FIG. 1

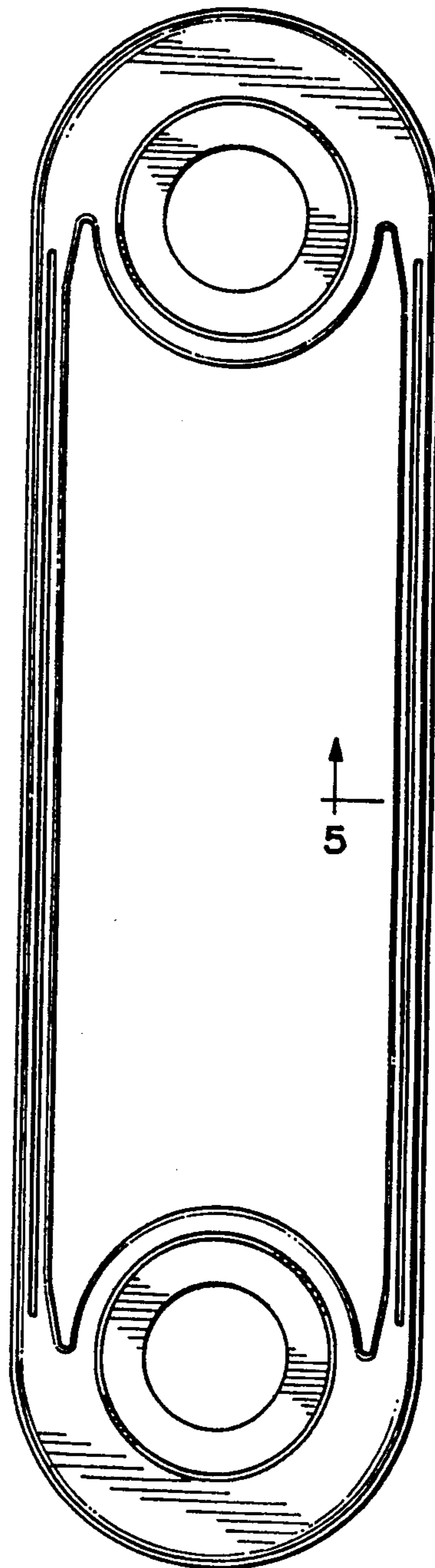


FIG. 2



FIG. 3

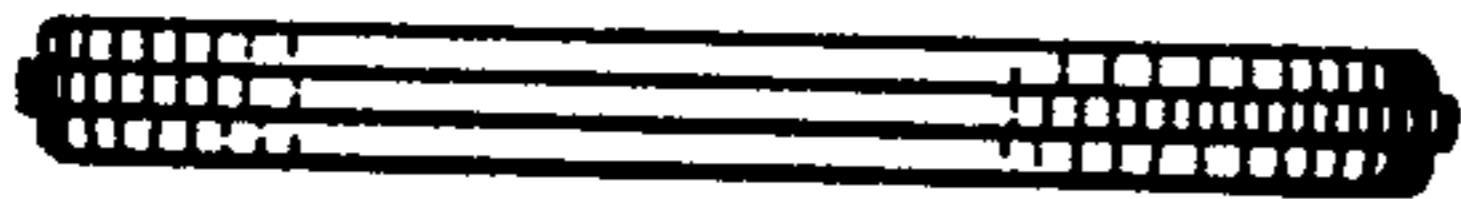


FIG. 4

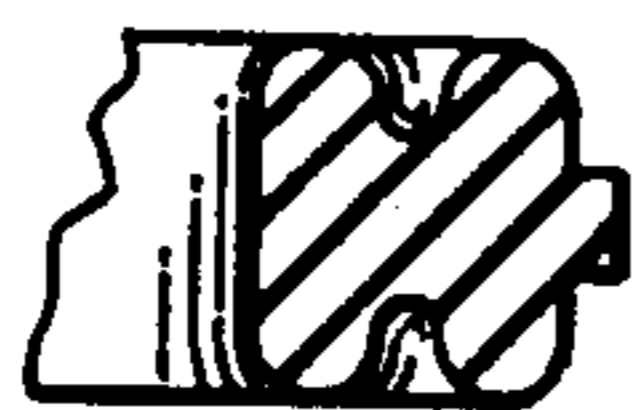


FIG. 5