



US00D332973S

# United States Patent [19]

[11] Patent Number: **Des. 332,973**

Jenkins et al.

[45] Date of Patent: **\*\* Feb. 2, 1993**

[54] SIGN

5,086,391 2/1992 Chambers ..... 340/373

[76] Inventors: **James M. Jenkins; Jerry D. Jenkins**,  
both of Rte. 2. Box 214-B, Ellerbe,  
N.C. 28338

### FOREIGN PATENT DOCUMENTS

719977 12/1932 France .  
676826 3/1949 United Kingdom .

[\*\*] Term: **14 Years**

*Primary Examiner*—Wallace R. Burke  
*Assistant Examiner*—Marcus Jackson  
*Attorney, Agent, or Firm*—Terry M. Gernstein

[21] Appl. No.: **670,616**

[22] Filed: **Mar. 18, 1991**

### [57] CLAIM

[52] U.S. Cl. .... **D20/10**

The ornamental design for a sign, as shown and described.

[58] Field of Search ..... **D20/10, 39, 40, 41,**  
**D20/42; 40/584, 591, 592, 593, 606, 607, 617,**  
**538, 540, 541, 542, 544; 362/811, 812; D10/109;**  
**340/573**

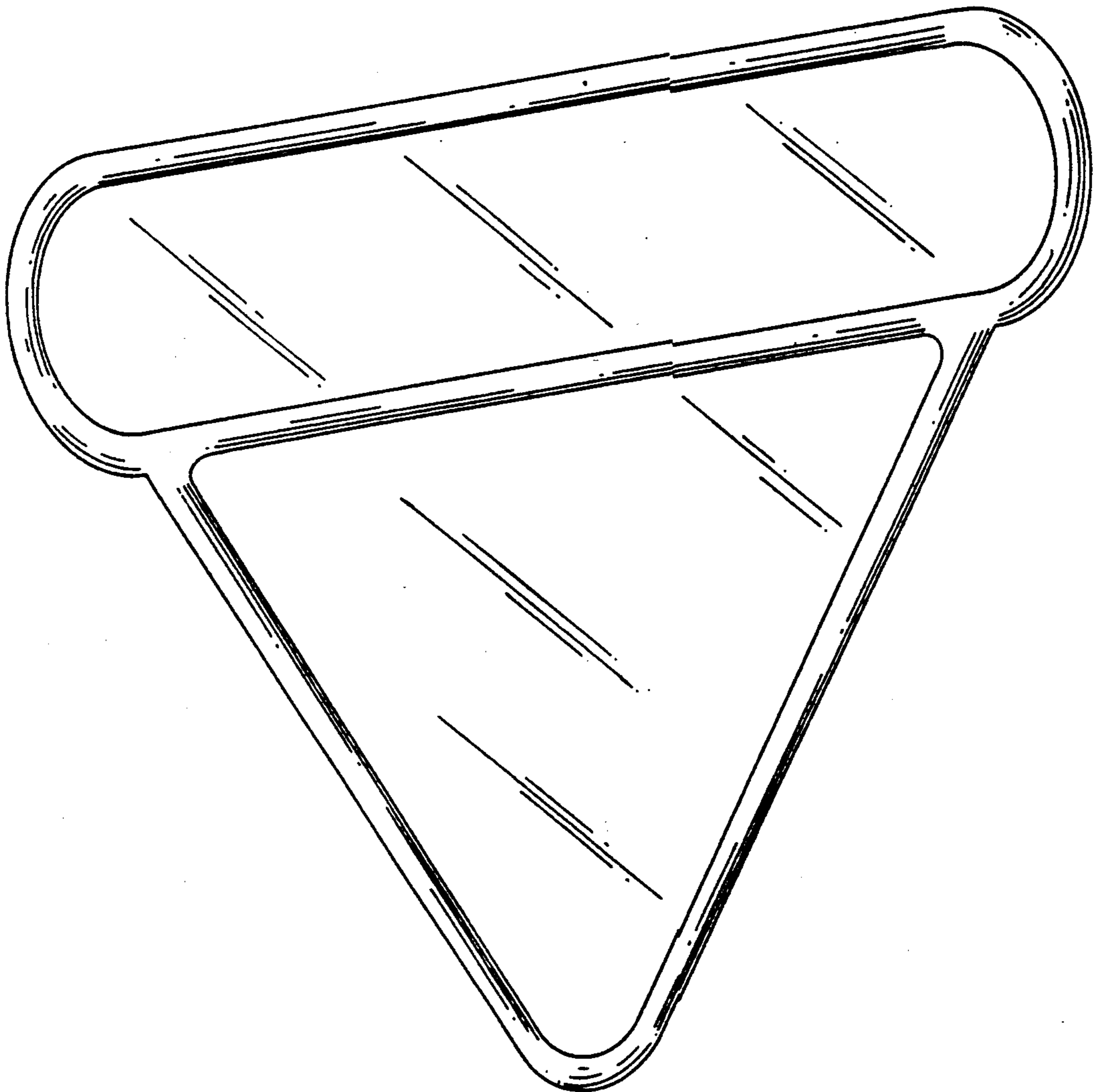
### DESCRIPTION

### [56] References Cited

#### U.S. PATENT DOCUMENTS

D. 314,161 1/1991 Kondo ..... D10/109  
4,138,668 2/1979 Latta .  
4,339,744 7/1982 Latta .  
4,766,103 8/1988 Cobb .

FIG. 1 is a perspective view of a sign showing our new design;  
FIG. 2 is a front elevational view thereof;  
FIG. 3 is a rear elevational view thereof;  
FIG. 4 is a right side elevational view thereof, with the opposite side being a mirror image;  
FIG. 5 is a top plan view thereof; and,  
FIG. 6 is a bottom plan view thereof.



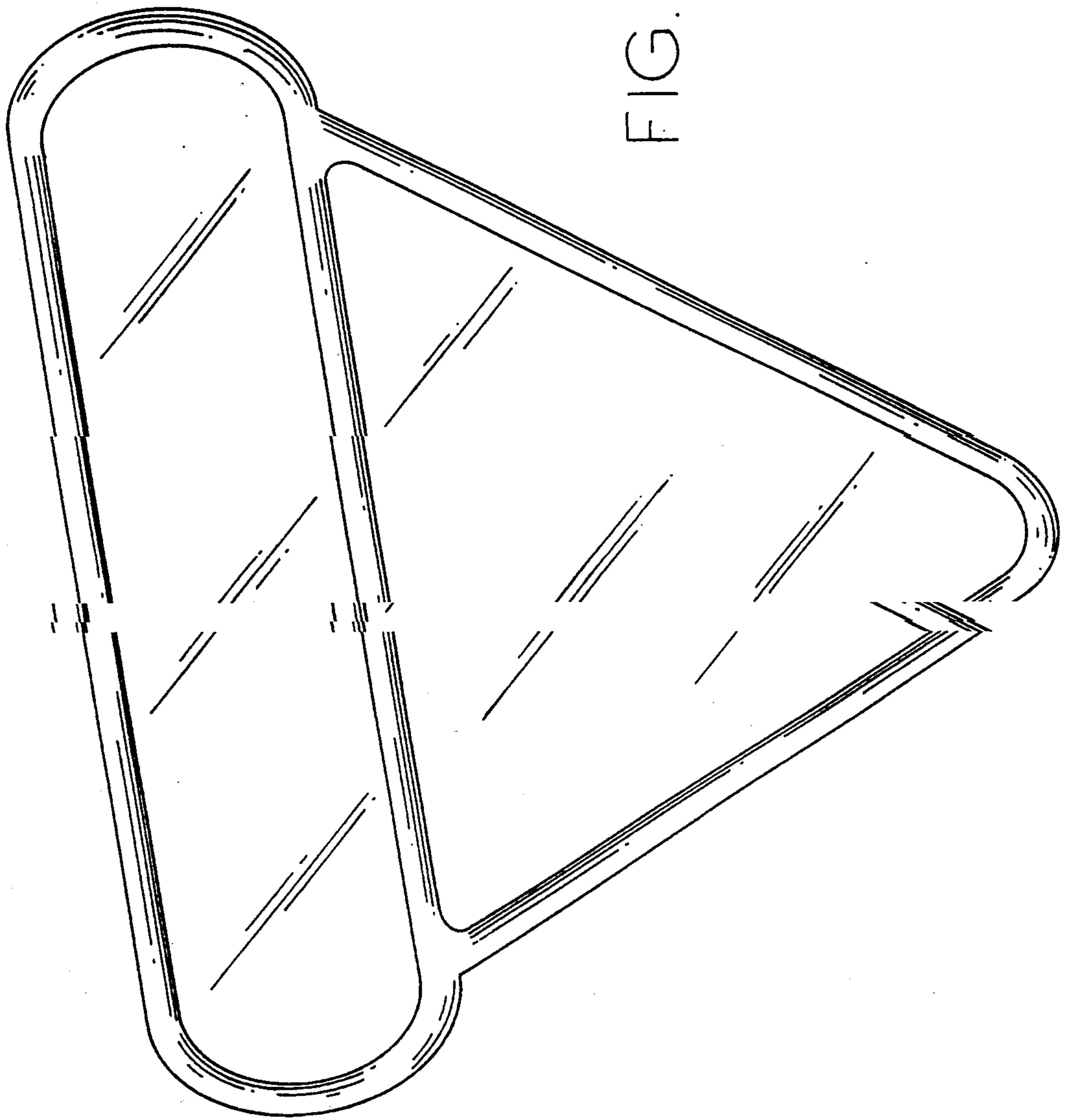


FIG. 1.

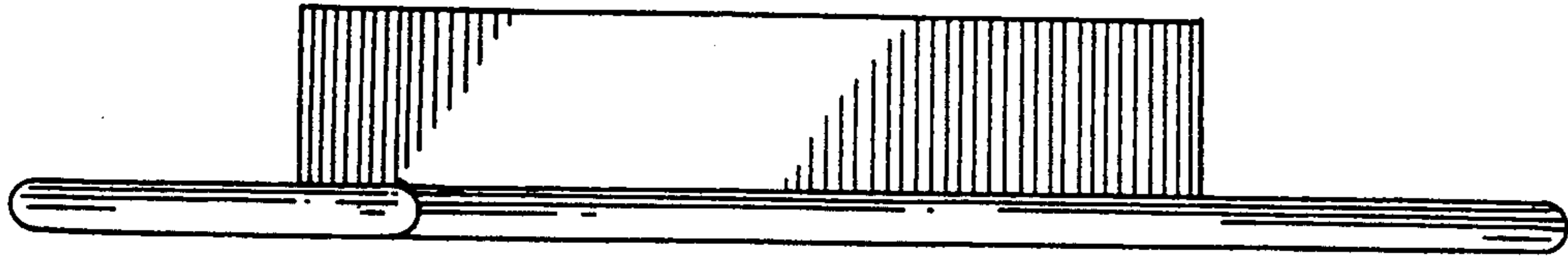


FIG. 4.

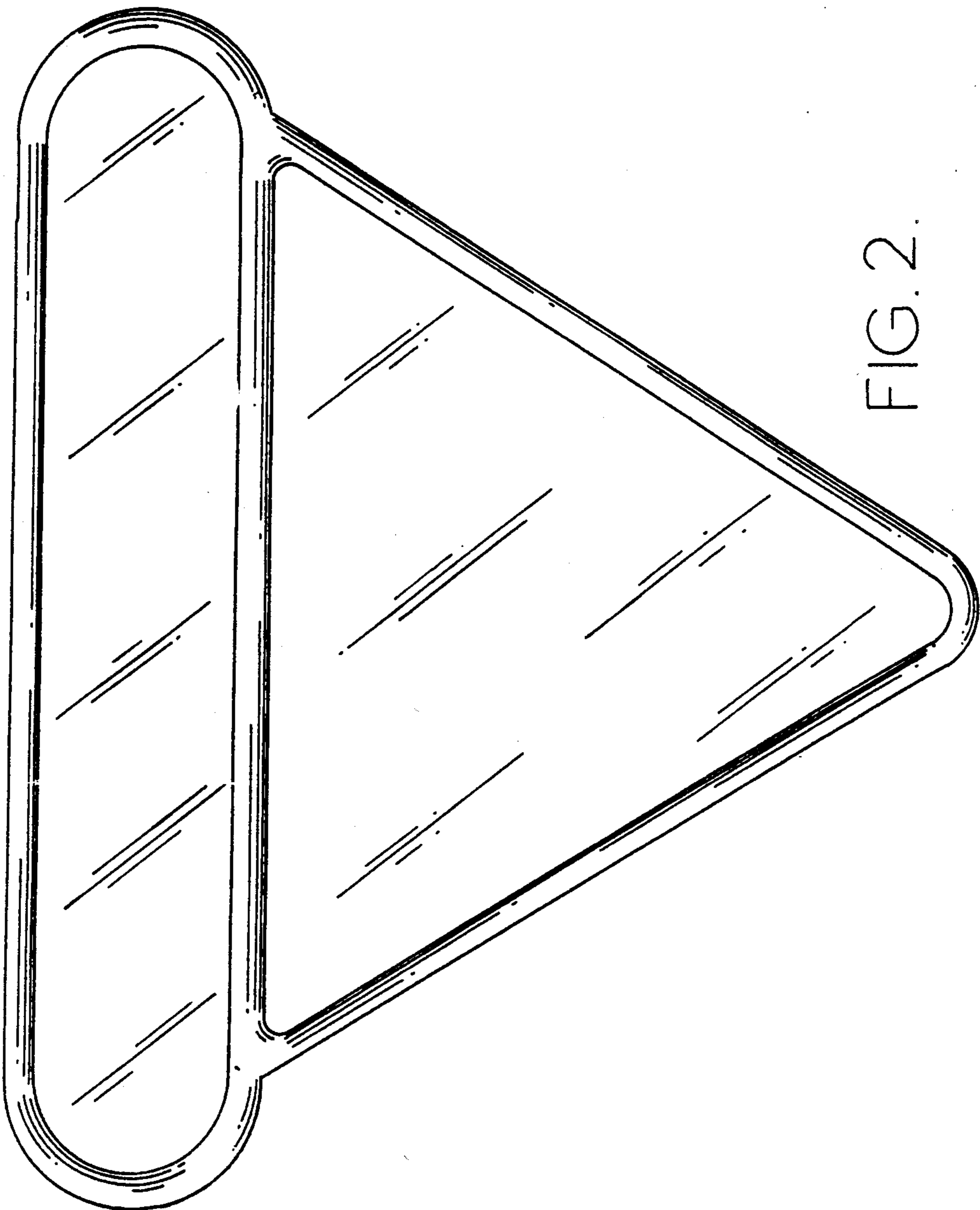


FIG. 2.

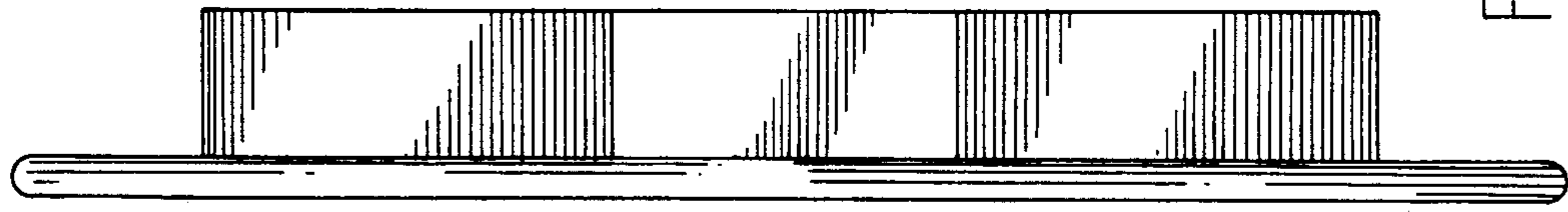


FIG. 6.

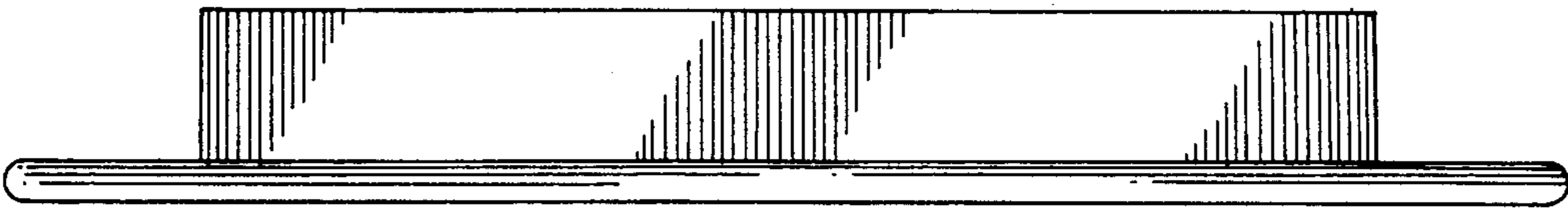


FIG. 5.

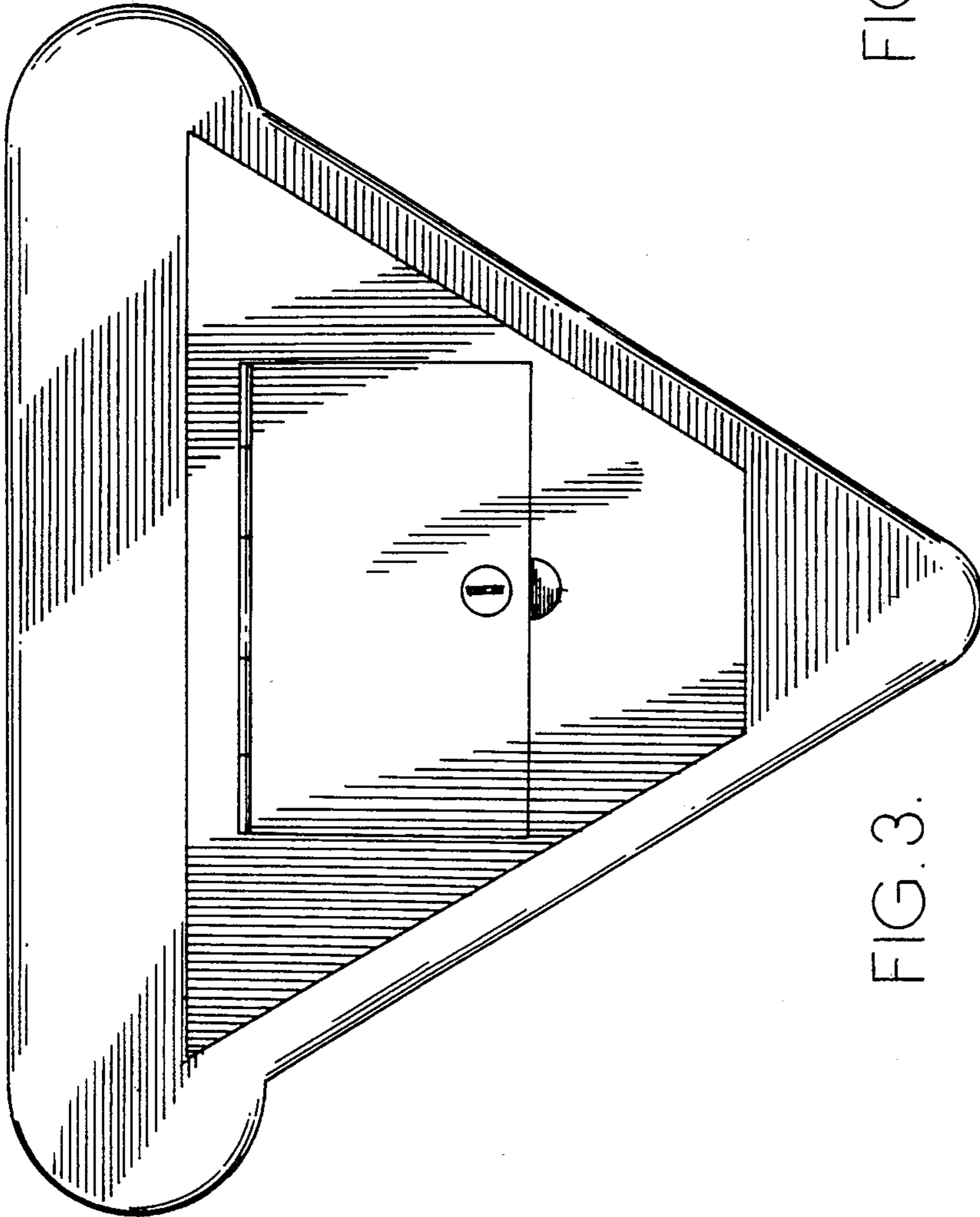


FIG. 3.