



US00D332972S

# United States Patent [19]

[11] Patent Number: **Des. 332,972**

Lott

[45] Date of Patent: **\*\* Feb. 2, 1993**

[54] **GRAPHICS DISPLAY SUPPORT STAND**

4,685,400 3/1987 Unander-Scharin ..... 108/111  
4,977,698 12/1990 Seggerson ..... 40/618

[76] Inventor: **Richard G. Lott, 4238 Dumfries Street, Vancouver, British Columbia, Canada, V5N 3T2**

**OTHER PUBLICATIONS**

Uniweb Catalog, 1985/1986, system 88, section conditions.

[\*\*] Term: **14 Years**

*Primary Examiner*—Nelson C. Holtje  
*Assistant Examiner*—Jeffrey Asch  
*Attorney, Agent, or Firm*—John R. Uren

[21] Appl. No.: **520,227**

[22] Filed: **May 7, 1990**

[57] **CLAIM**

The ornamental design for a graphics display support stand, as shown and described.

[30] **Foreign Application Priority Data**

Nov. 7, 1989 [CA] Canada ..... 0711895

[52] U.S. Cl. .... **D20/10; D6/479; D6/569**

**DESCRIPTION**

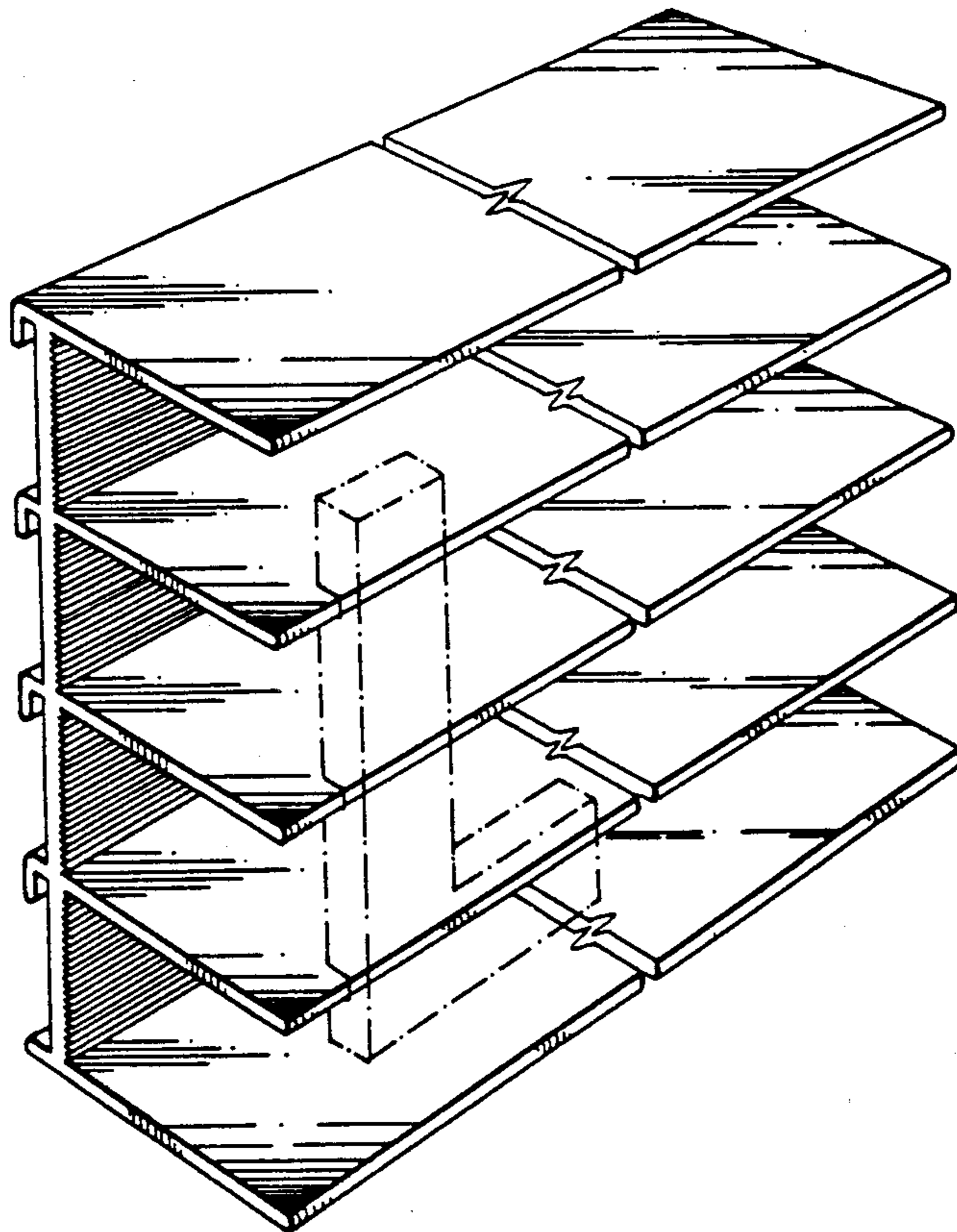
[58] **Field of Search** ..... D20/10, 34, 40, 41, D20/42; D6/477-479, 569-571, 473, 474; 108/106-108, 111; 40/584, 617, 618, 624

FIG. 1 is a perspective view of a graphics display support stand showing my new design;  
FIG. 2 is a top plan view;  
FIG. 3 is a front elevational view;  
FIG. 4 is a rear elevational view;  
FIG. 5 is a bottom plan view;  
FIG. 6 is a left side elevational view;  
FIG. 7 is a second embodiment of that shown in FIG. 1; and,  
FIG. 8 is a third embodiment of that shown in FIG. 1. The broken line showing of a letter in FIG. 1 and of a support bracket in FIG. 6 are for illustrative purposes only.  
FIGS. 1-5 have been shown broken away to indicate indeterminate length.

[56] **References Cited**

**U.S. PATENT DOCUMENTS**

D. 150,030	6/1948	Ressinger	.....	D6/473
D. 216,716	3/1970	Krikker	.....	D6/474
D. 257,993	1/1981	DeMars	.....	D20/42
661,266	11/1900	Heinemann	.....	40/584
1,887,591	11/1932	Fugita	.....	40/618
2,224,069	12/1940	Wagner	.....	40/618
2,966,754	1/1961	Orkin	.....	40/618
3,722,120	3/1973	Finkel	.....	40/618
4,671,002	6/1987	Fast	.....	40/584 X



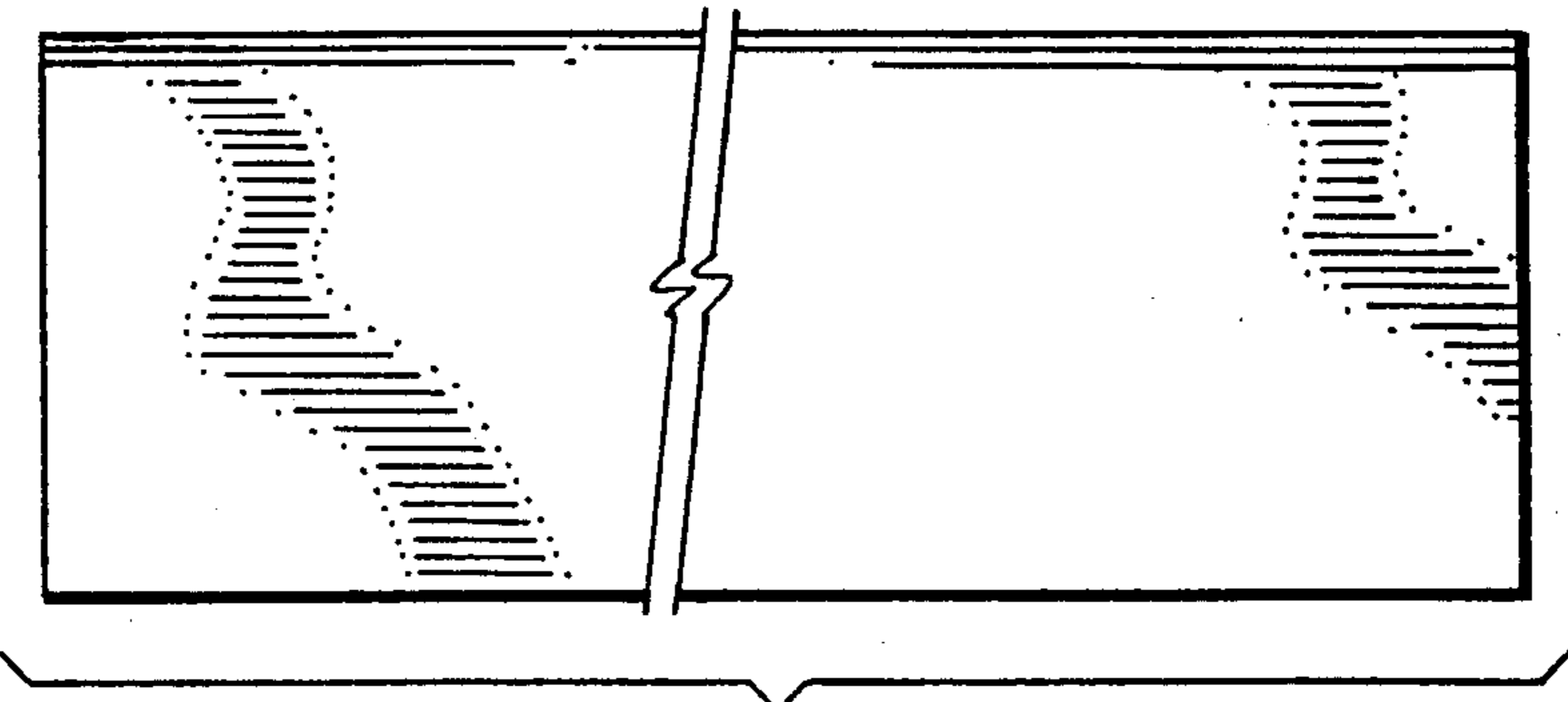
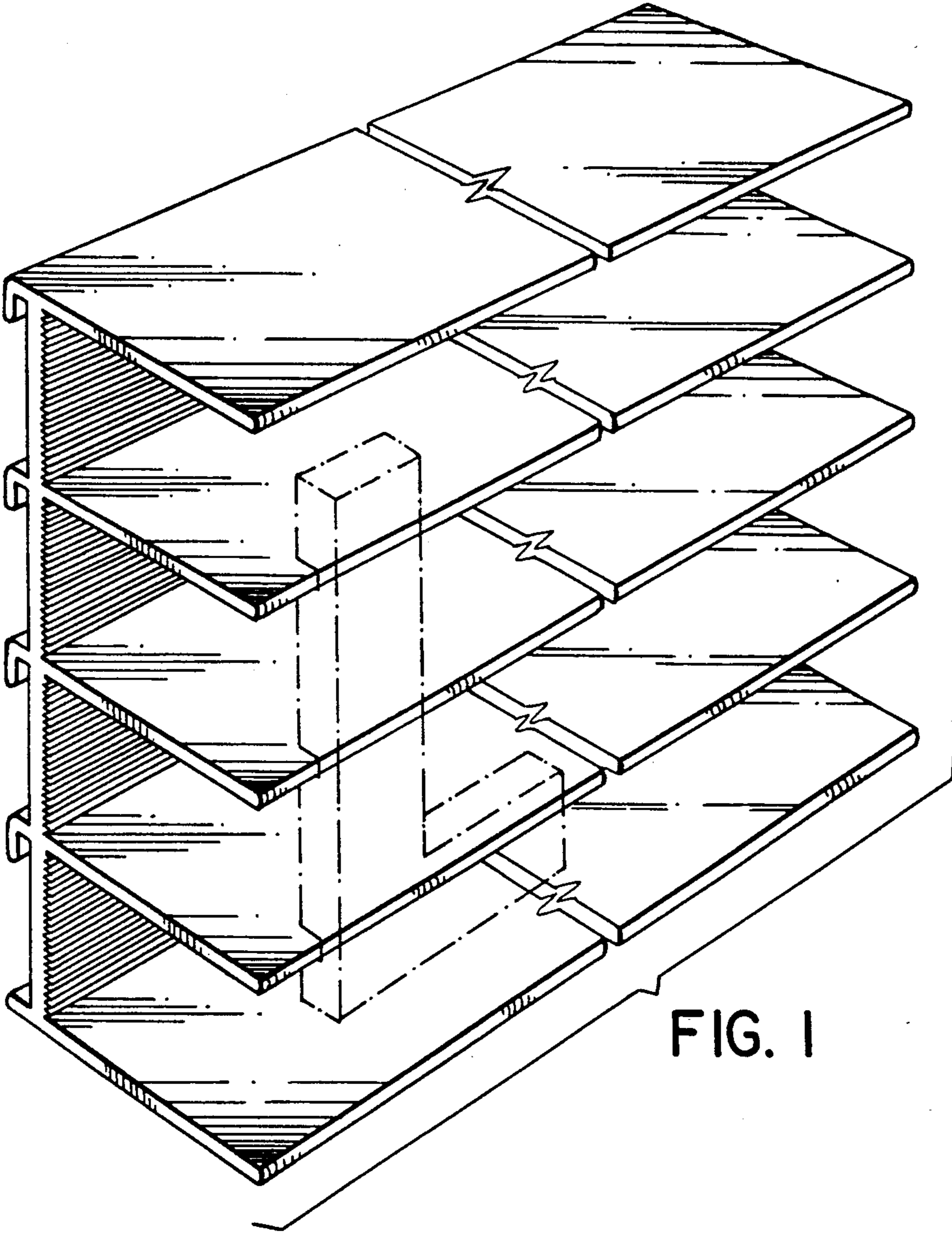


FIG. 2

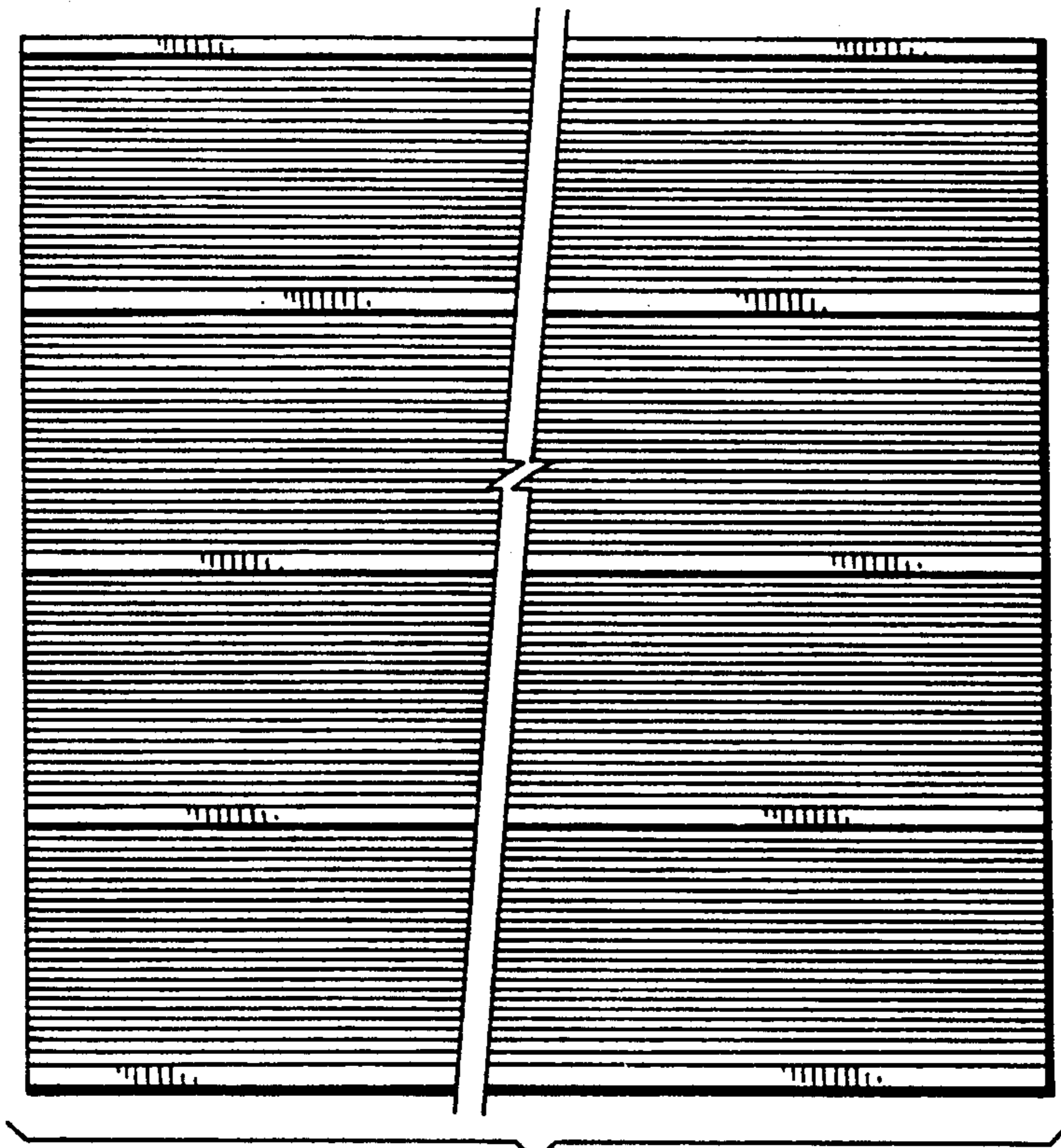


FIG. 3

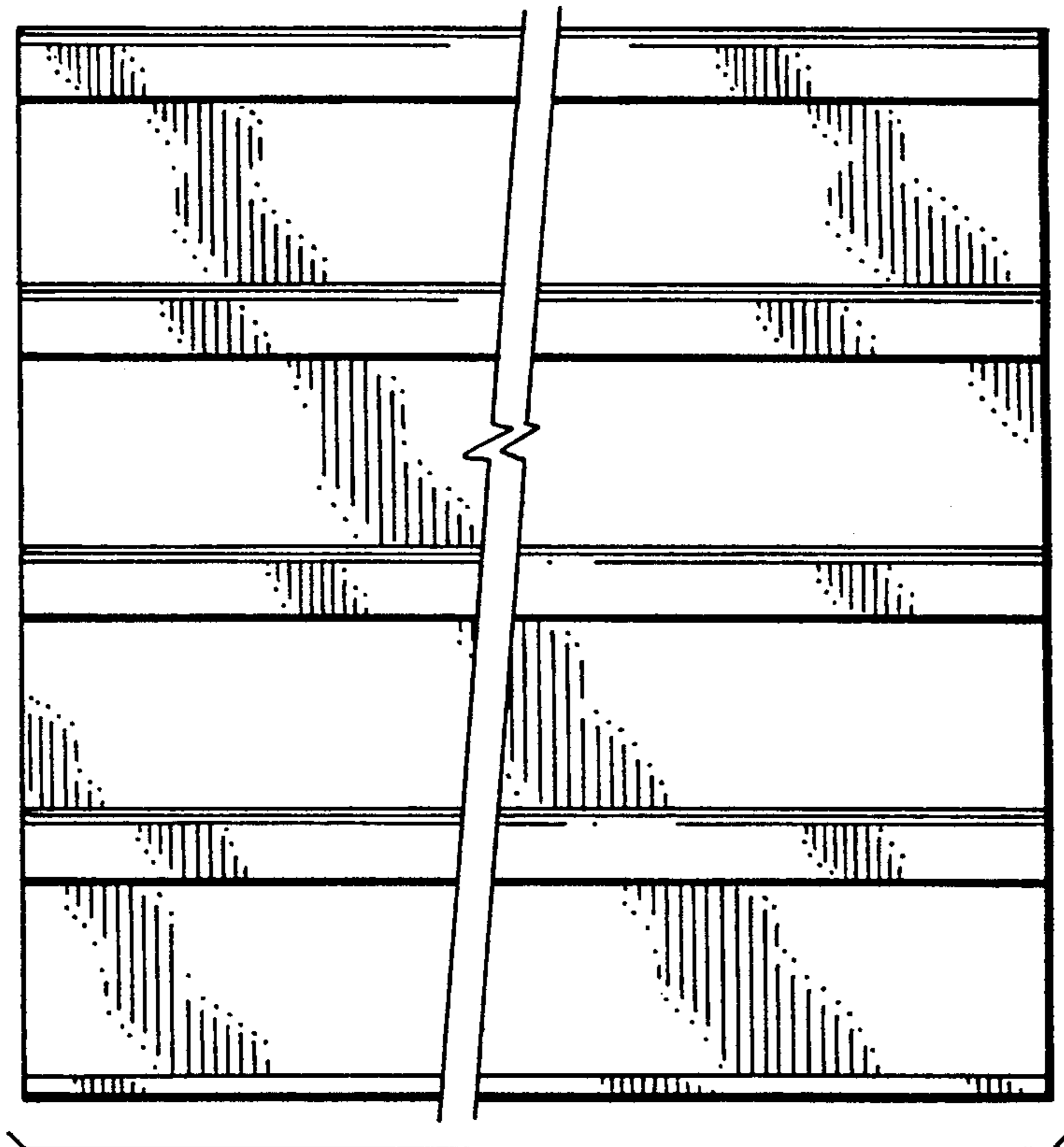


FIG. 4

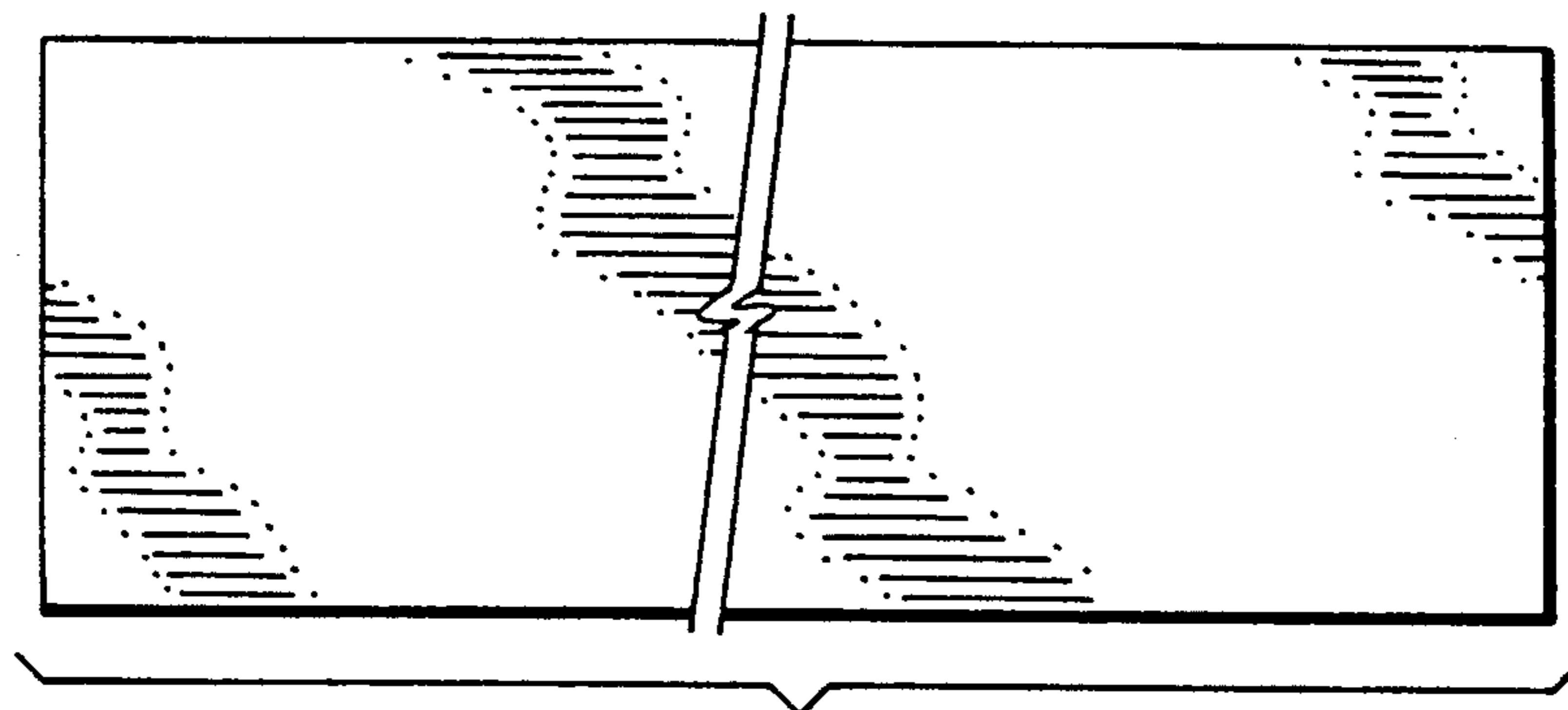


FIG. 5

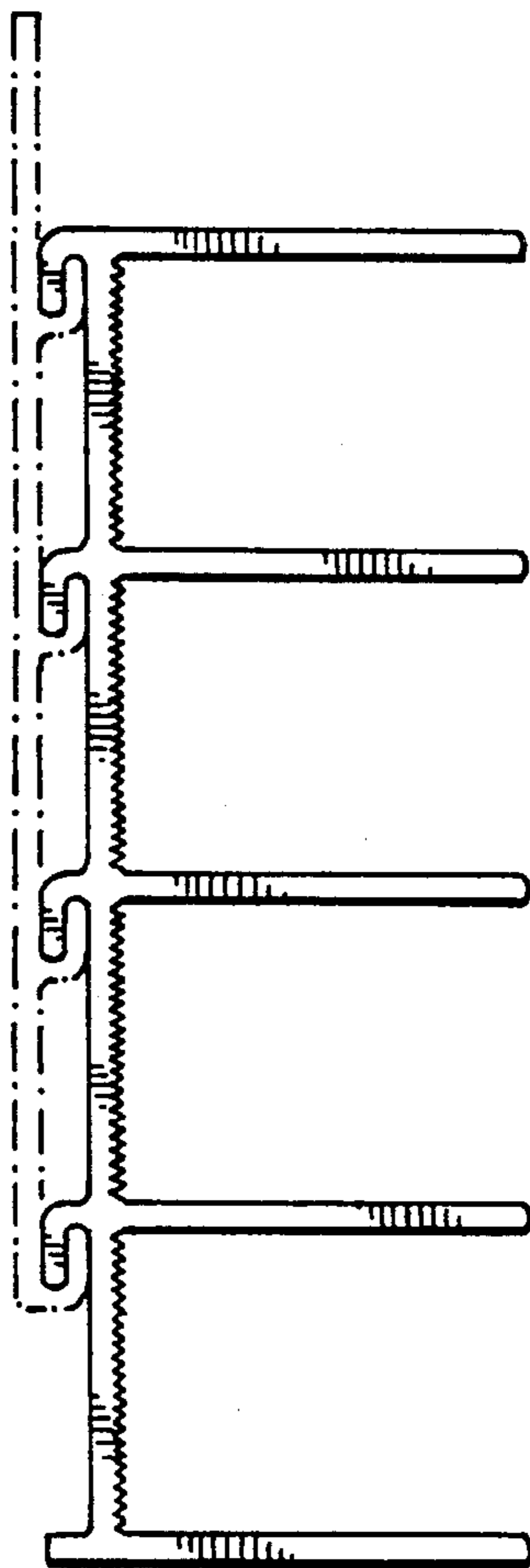


FIG. 6

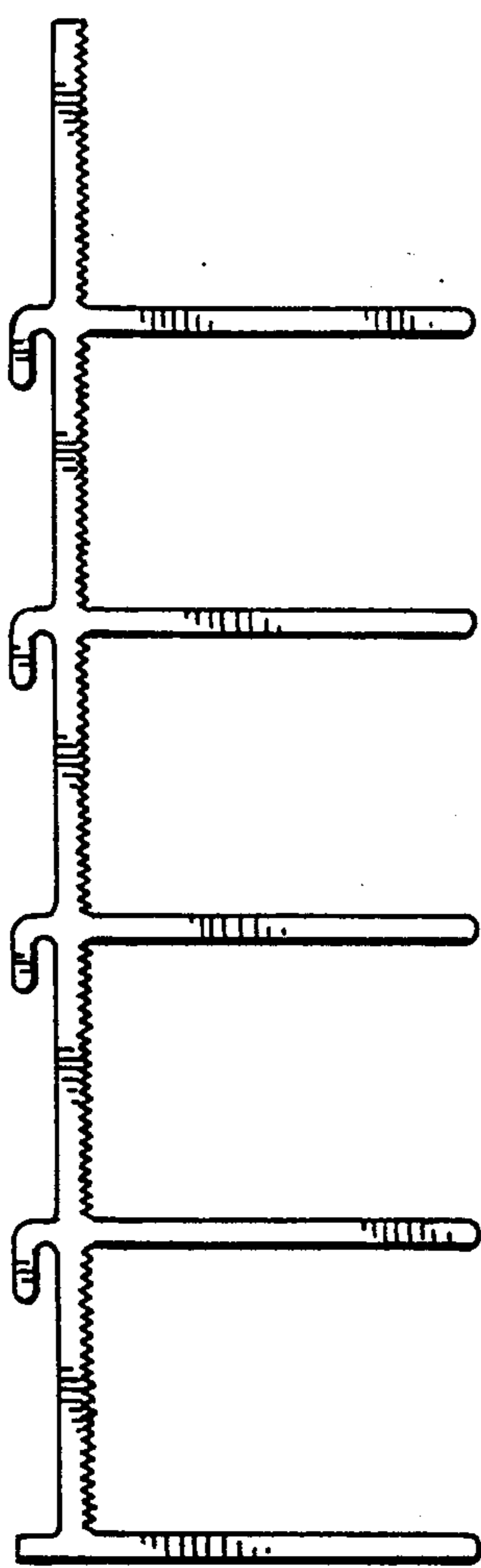


FIG. 7

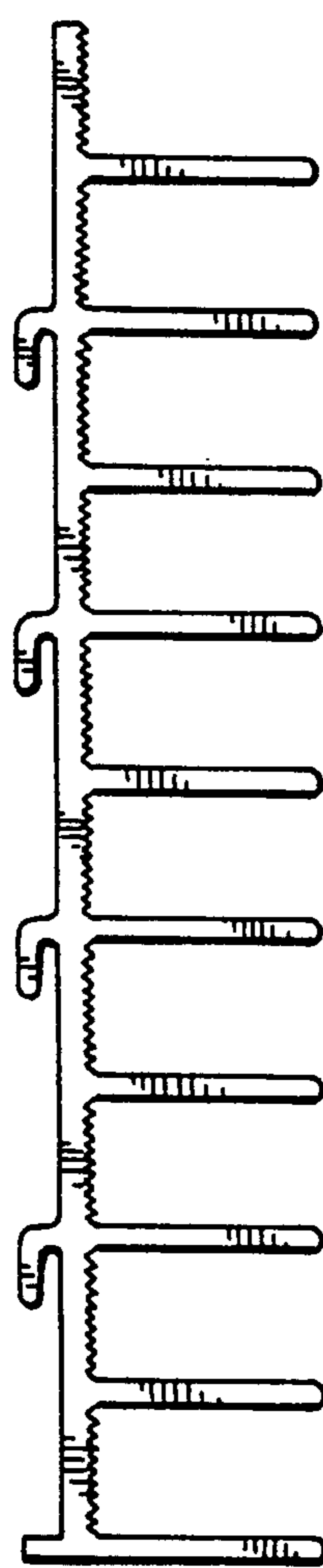


FIG. 8