



US00D332970S

United States Patent [19]
Myers

[11] **Patent Number: Des. 332,970**
[45] **Date of Patent: ** Feb. 2, 1993**

[54] **COMBINED THIGH-MOUNTABLE
WRITING SURFACE AND WRITING
INSTRUMENT**

3,593,340 7/1971 Powell 2/24
4,120,052 10/1978 Butter 2/24 X
4,247,101 1/1981 Gallmeyer D29/20 X
4,903,932 2/1990 Stewart, Jr. 281/45 X
4,906,025 3/1990 Schreindl 281/45

[75] **Inventor: Chad A. Myers, Fort Collins, Colo.**

[73] **Assignees: Monty Fritts; Darren Myers, Ottawa,
Kans.**

[**] **Term: 14 Years**

[21] **Appl. No.: 719,526**

[22] **Filed: Jun. 24, 1991**

[52] **U.S. Cl. D19/78; D3/100;
D19/81; D19/83; D19/88**

[58] **Field of Search D3/100, 102, 104, 105;
D19/36, 65, 75, 77, 78, 81-85, 86, 99, 100;
D29/20; 211/69.1-69.9; 206/214, 371; 281/45;
248/444, 458, 451-453**

[56] **References Cited**

U.S. PATENT DOCUMENTS

Re. 28,289 10/1974 Calkins 211/69.1 X
D. 76,777 11/1928 Clark et al. D19/78
D. 236,387 8/1975 Katzman D29/20 X
D. 314,866 2/1991 Scott D3/100
753,457 3/1904 Weissbrod 248/444
1,577,272 3/1926 Treadaway 248/444
1,701,888 2/1929 Hofferberth 248/444

Primary Examiner—Nelson C. Holtje
Assistant Examiner—Martha Thompson
Attorney, Agent, or Firm—Litman, McMahon & Brown

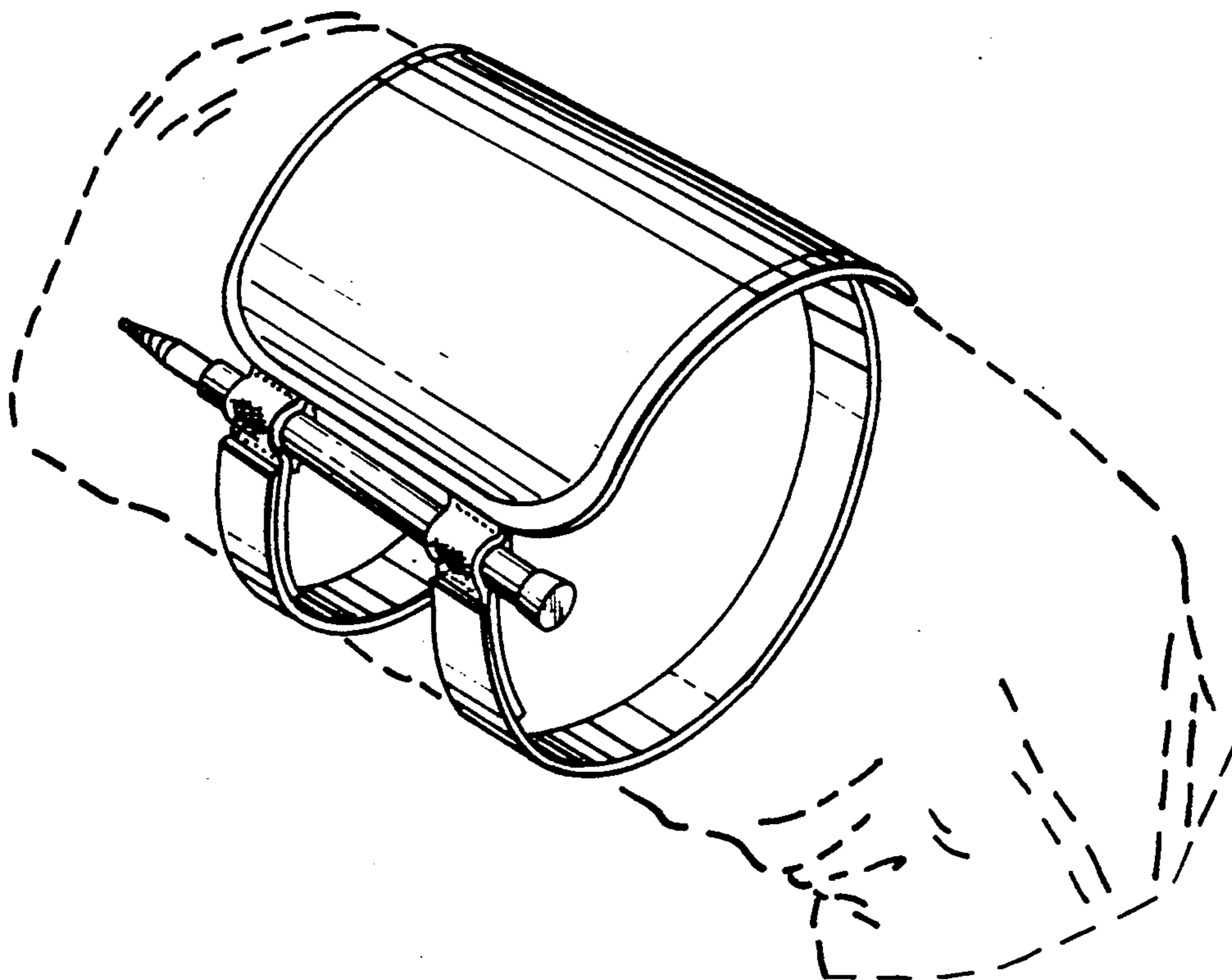
[57] **CLAIM**

The ornamental design for a combined thigh-mountable writing surface and writing instrument as shown and described.

DESCRIPTION

FIG. 1 is a top, right front perspective view of a combined thigh-mountable writing surface and writing instrument showing my new design; FIG. 2 is a top plan view thereof; FIG. 3 is a bottom plan view thereof; FIG. 4 is a right side elevational view thereof; FIG. 5 is a left side elevational view thereof; FIG. 6 is a front elevational view thereof; and FIG. 7 is a rear elevational view thereof.

FIGS. 2 through 7 have been drawn to a reduced scale with respect to FIG. 1. The fragmentary leg which has been depicted by means of broken lines in FIG. 1 has been shown for illustrative purposes only and forms no part of the claimed design.



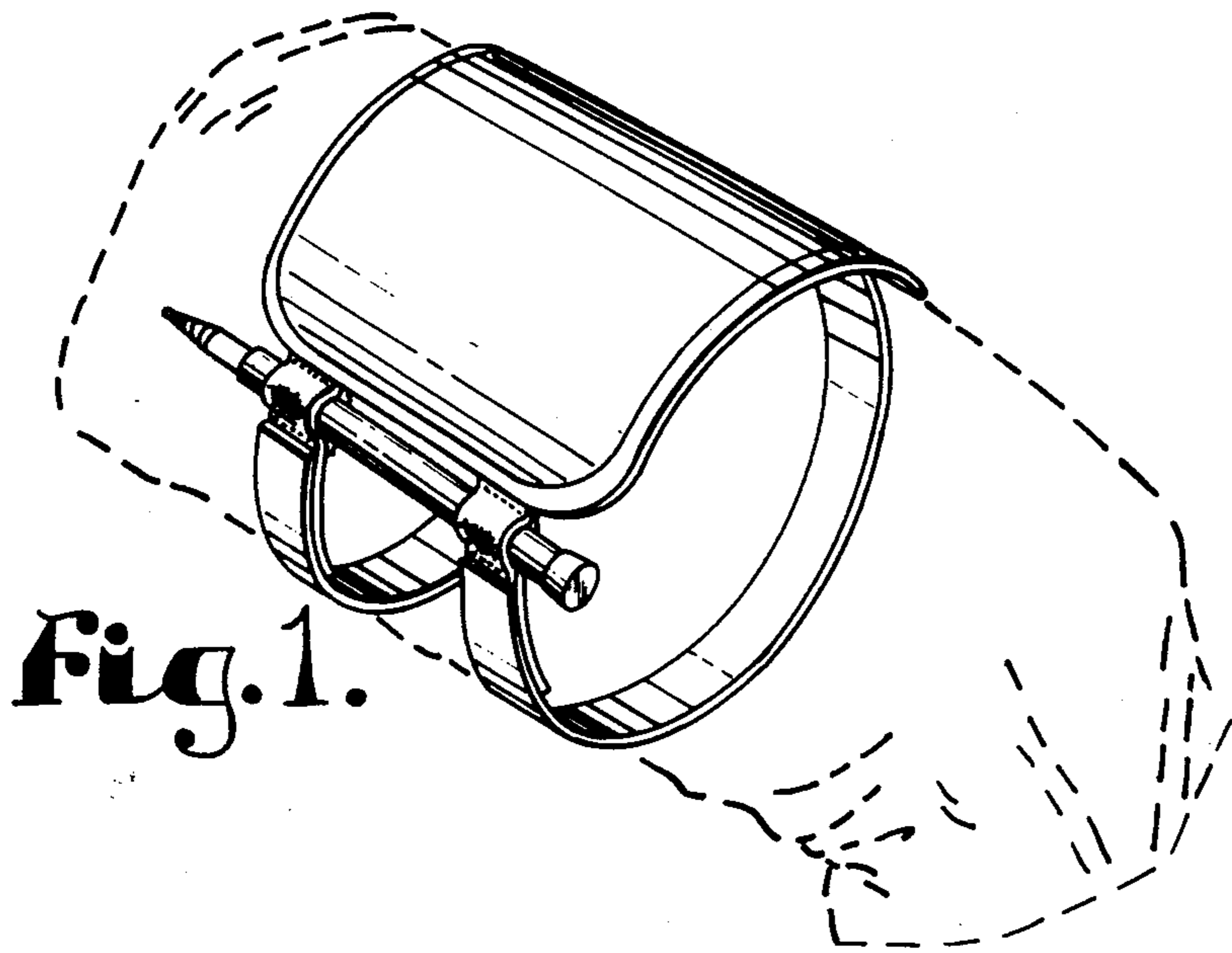


Fig. 1.

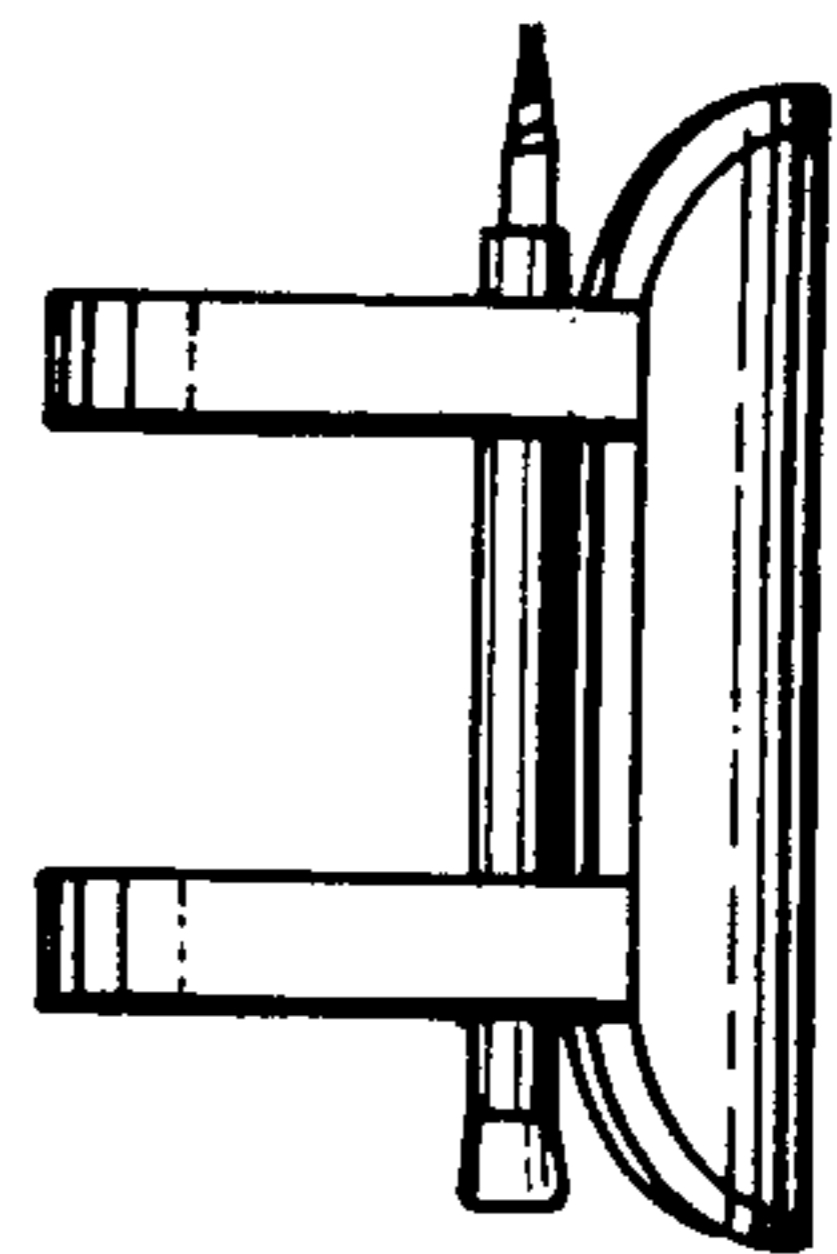


Fig. 7.

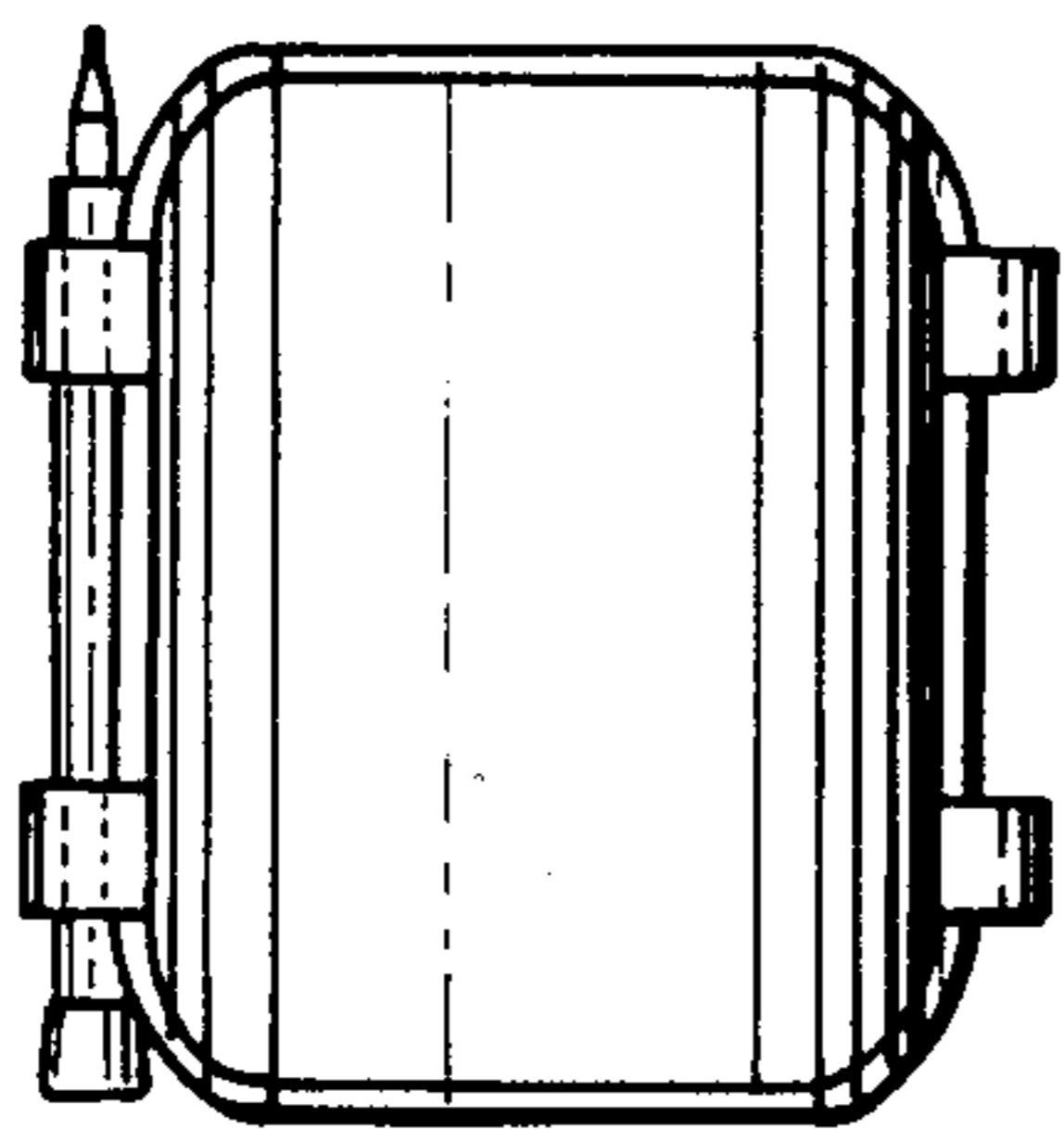


Fig. 2.

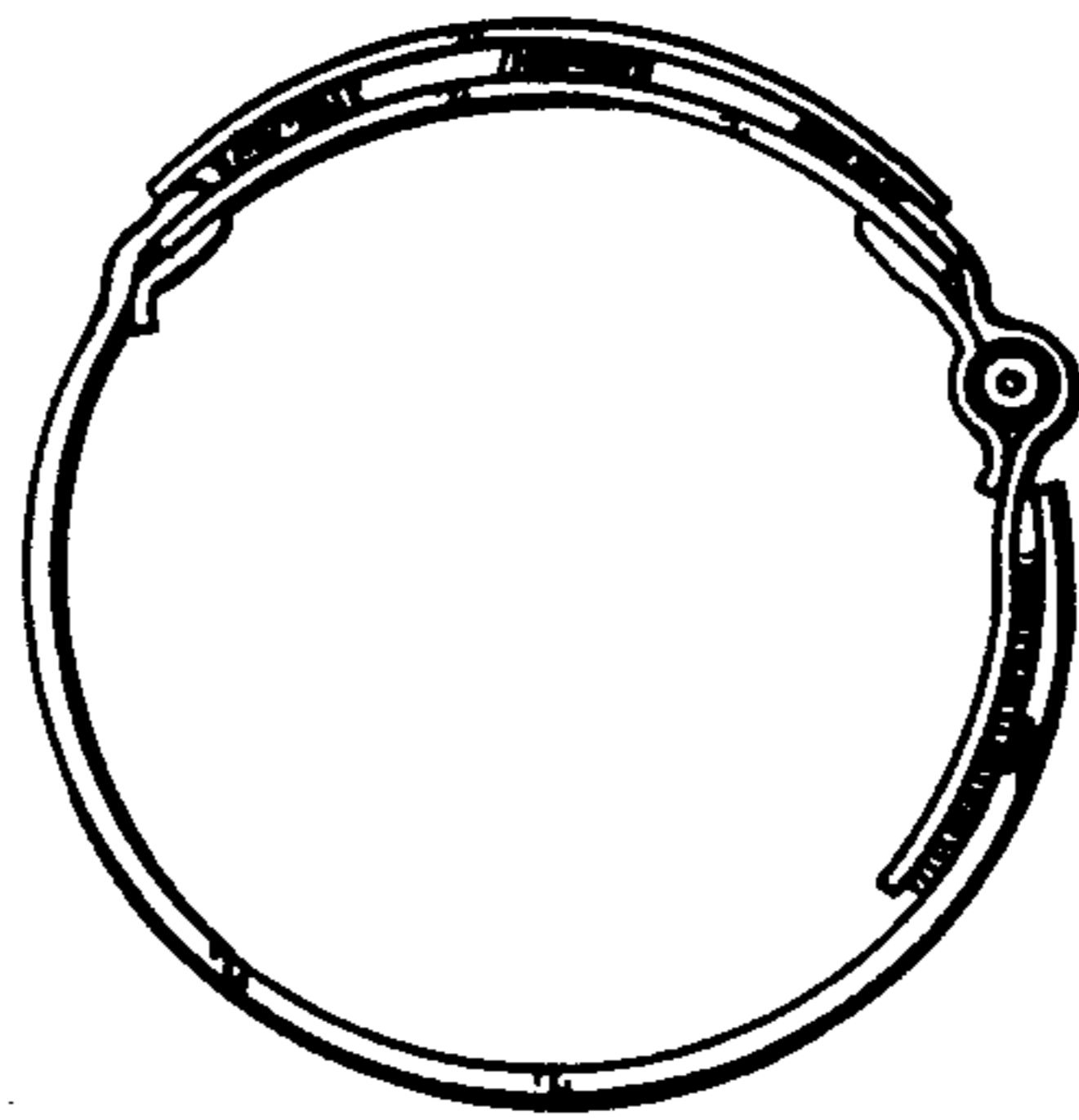


Fig. 6.

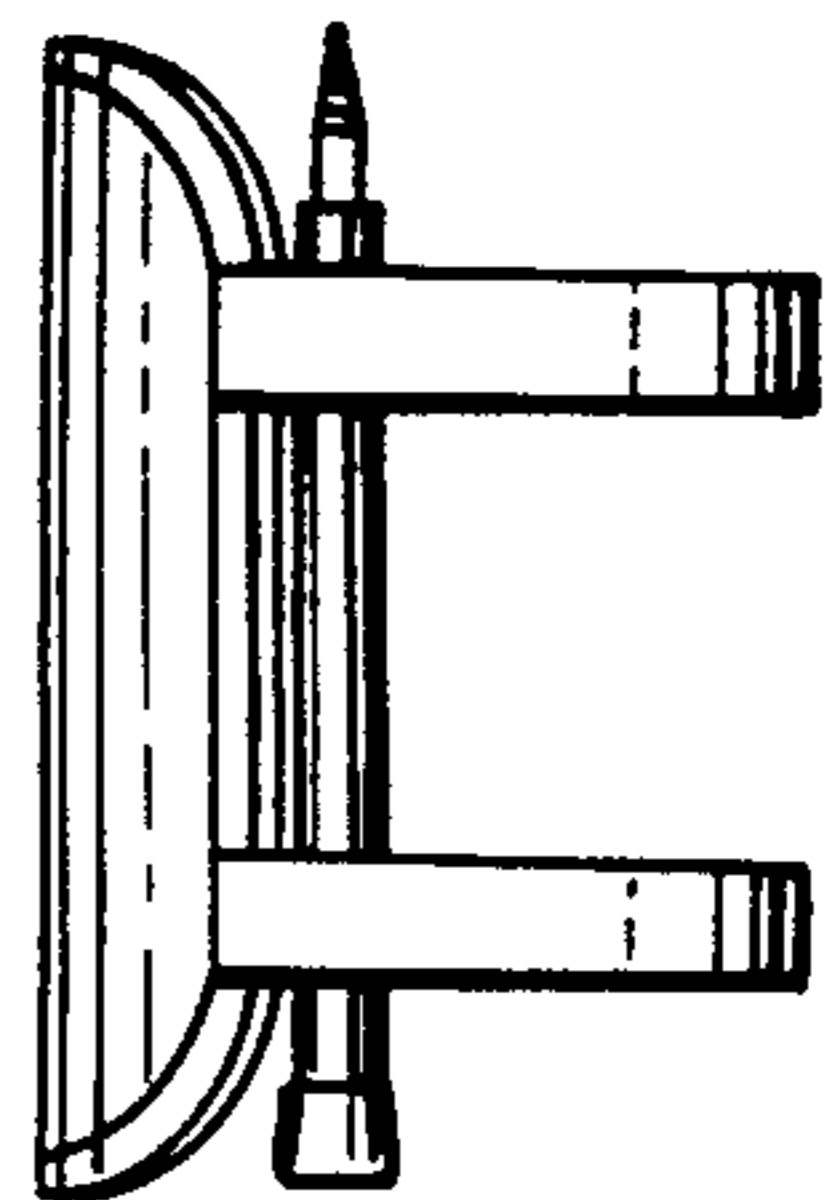


Fig. 3.

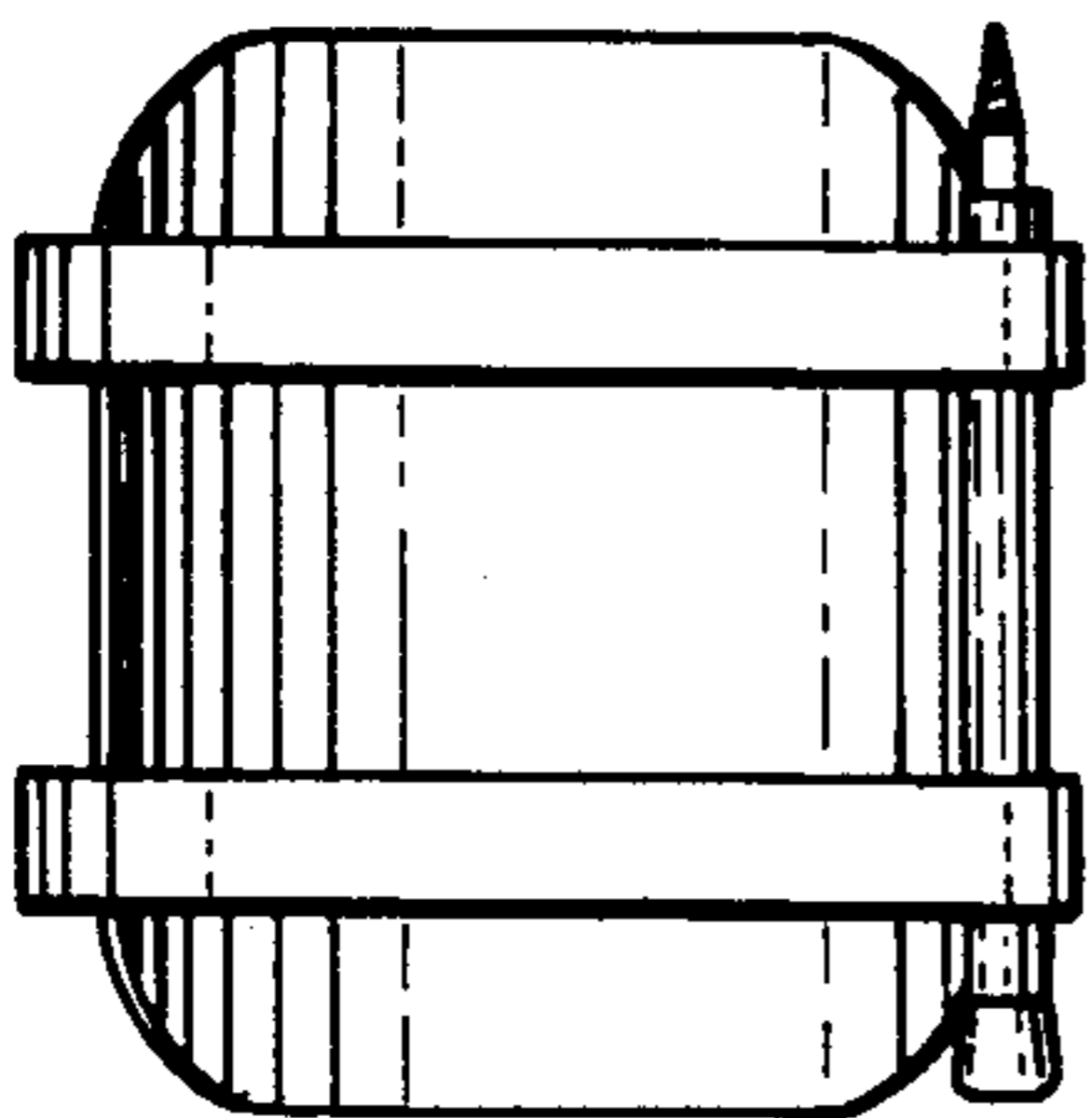


Fig. 4.

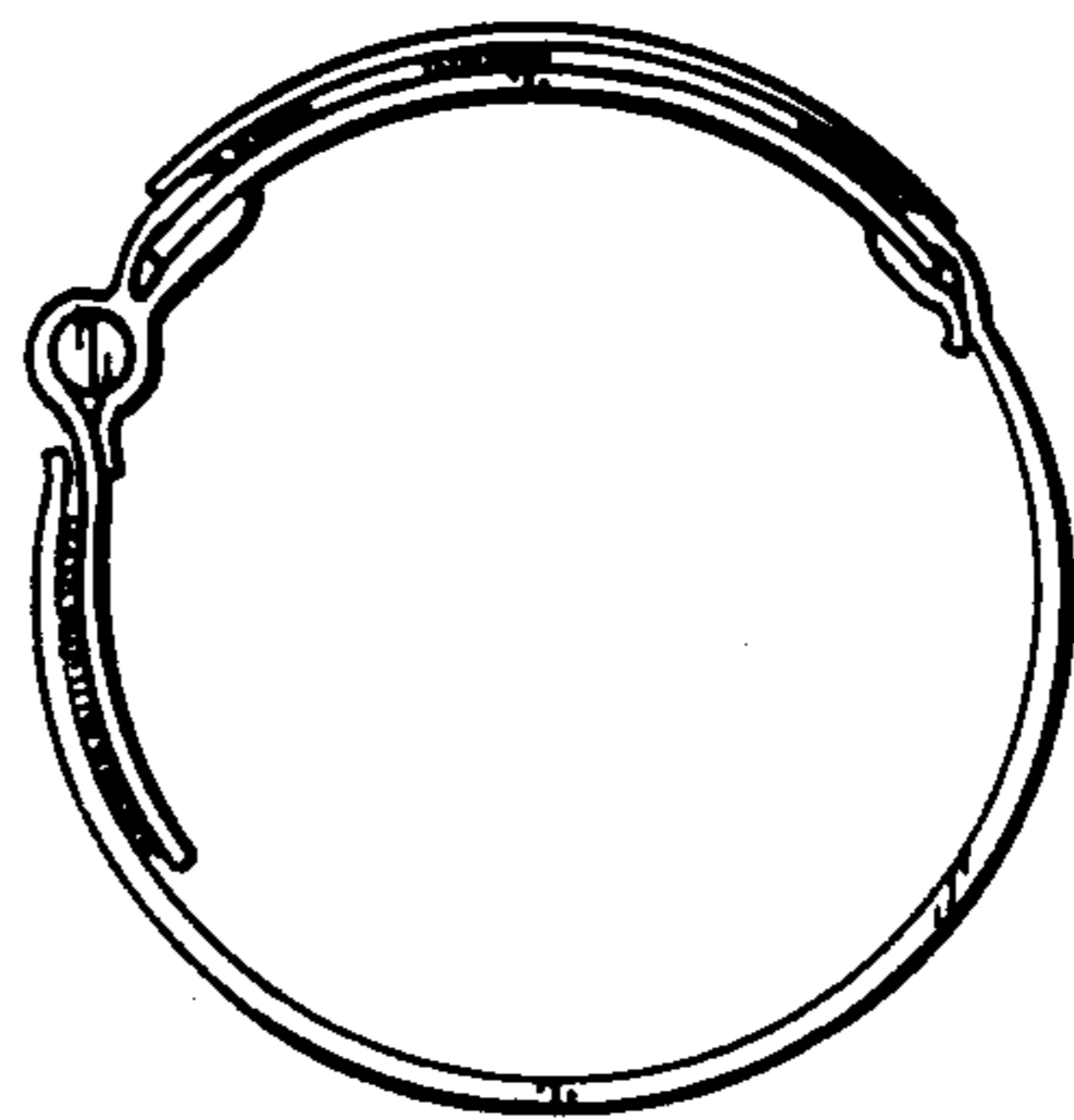


Fig. 5.