



US00D332969S

# United States Patent [19]

[11] Patent Number: **Des. 332,969**

Ancona et al.

[45] Date of Patent: **\*\* Feb. 2, 1993**

[54] **OFFICE GADGET ORGANIZER**

[75] Inventors: **Bruce Ancona; Jane Ancona**, both of New York, N.Y.

[73] Assignee: **M. Kamenstein, Inc.**, White Plains, N.Y.

[\*\*] Term: **14 Years**

[21] Appl. No.: **735,121**

[22] Filed: **Jul. 29, 1991**

[52] U.S. Cl. .... **D19/77; D19/65; D19/75; D19/85; D3/74**

[58] Field of Search ..... **D3/30.1, 74; D19/65, D19/75, 77, 78, 86, 81-85, 90, 92, 95, 99, 100; 206/214, 224, 350, 371; 211/69.1-69.9**

[56] **References Cited**

**U.S. PATENT DOCUMENTS**

D. 242,039	10/1976	Macowski .....	D19/85
D. 250,643	12/1978	Tiedemann .....	D19/75 X
D. 277,556	2/1985	Pappas .....	D19/75 X
D. 303,552	9/1989	Ancona et al. ....	D19/77
D. 311,213	10/1990	Ancona et al. ....	D19/77
D. 312,662	12/1990	Ancona et al. ....	D19/77

D. 328,100	7/1992	Liaw .....	D19/77
2,630,362	3/1953	Bass .....	D3/74 X
3,327,688	6/1967	Smith .....	206/214

**FOREIGN PATENT DOCUMENTS**

521002	2/1930	Fed. Rep. of Germany .....	206/214
2238297	5/1991	United Kingdom .....	206/350

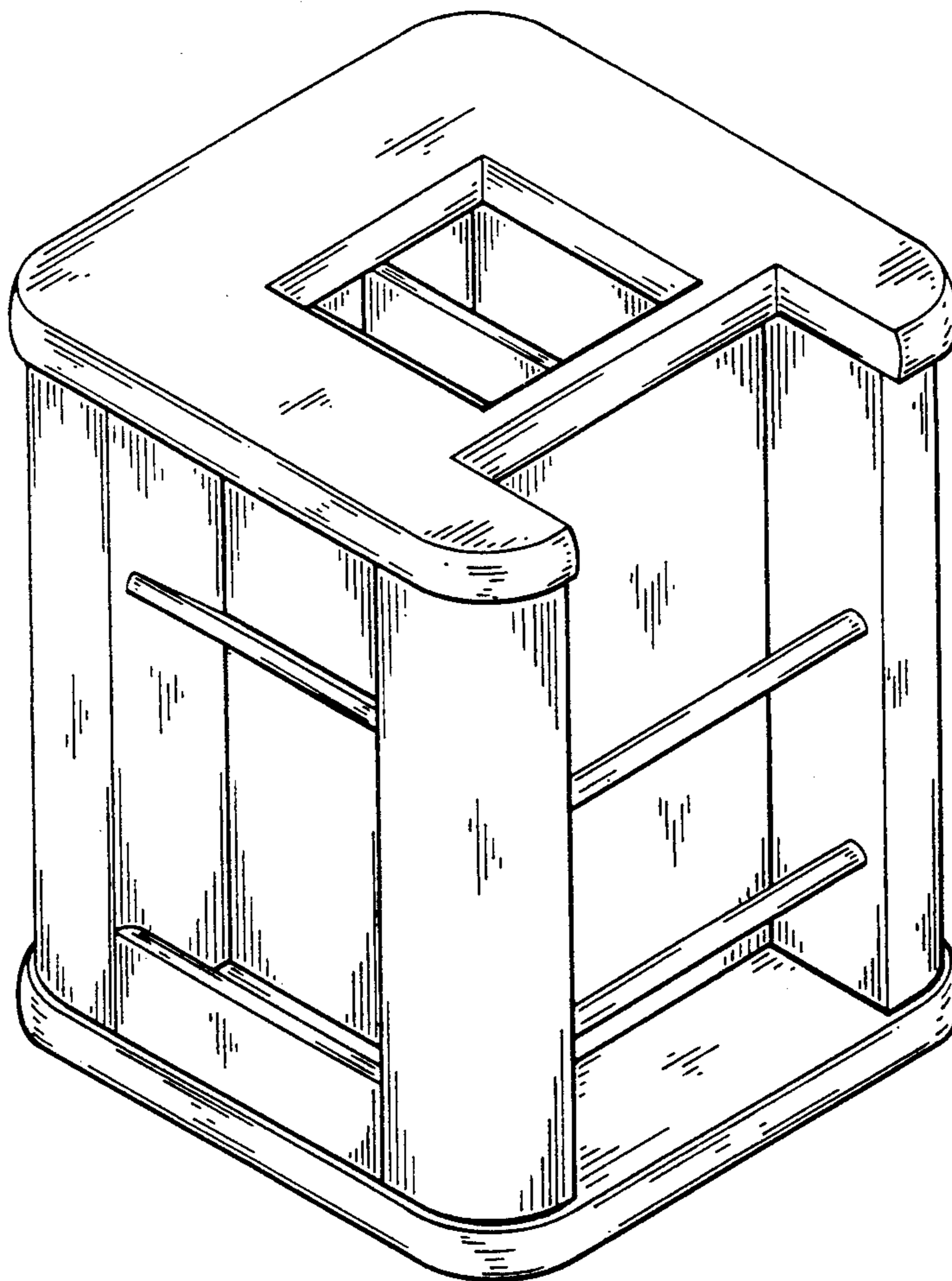
*Primary Examiner*—Nelson C. Holtje  
*Assistant Examiner*—Martha Thompson  
*Attorney, Agent, or Firm*—James A. Drobile; Robert A. Koons, Jr.; Robert E. Rosenthal

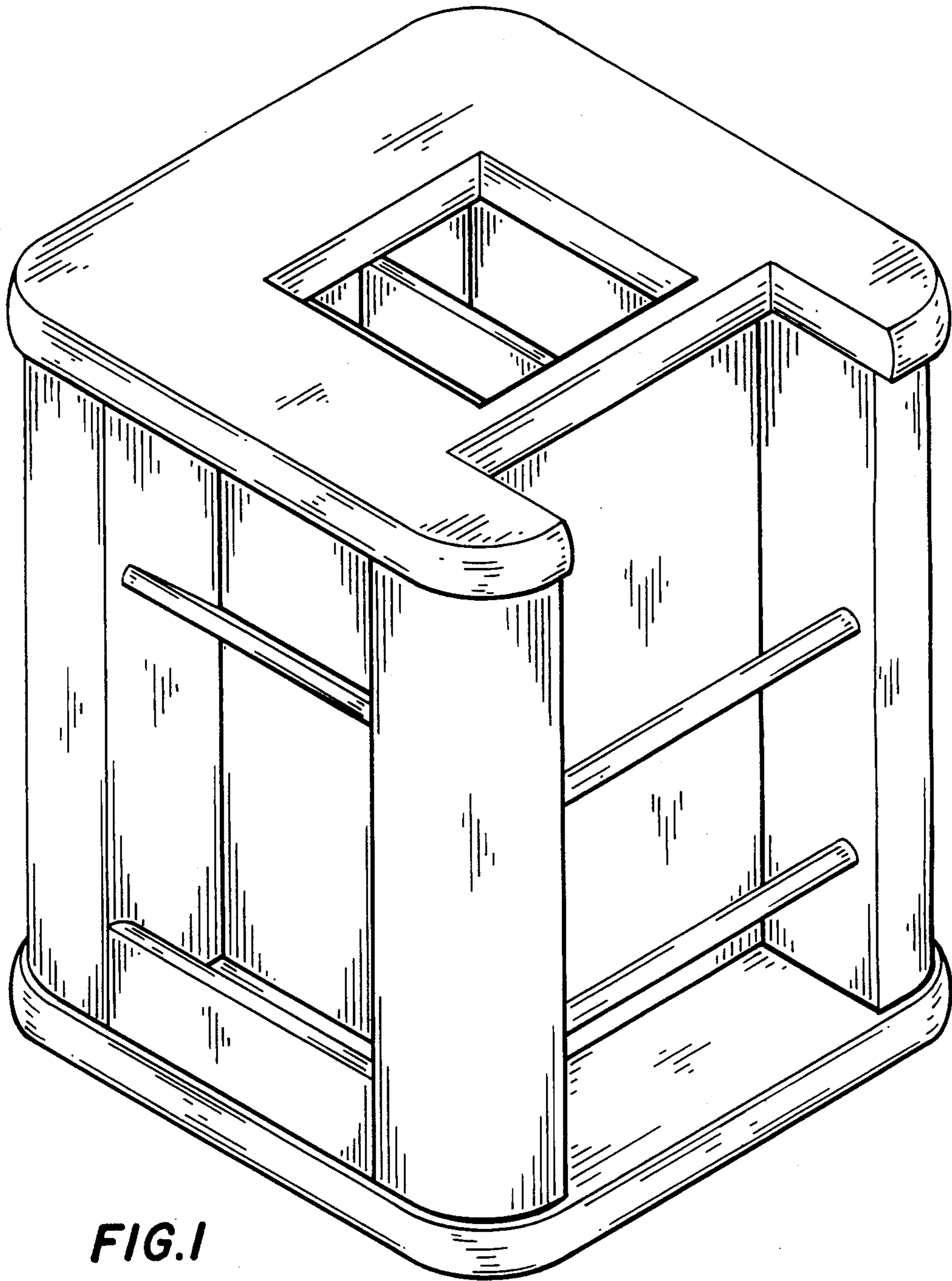
[57] **CLAIM**

The ornamental design for an office gadget organizer, as shown and described.

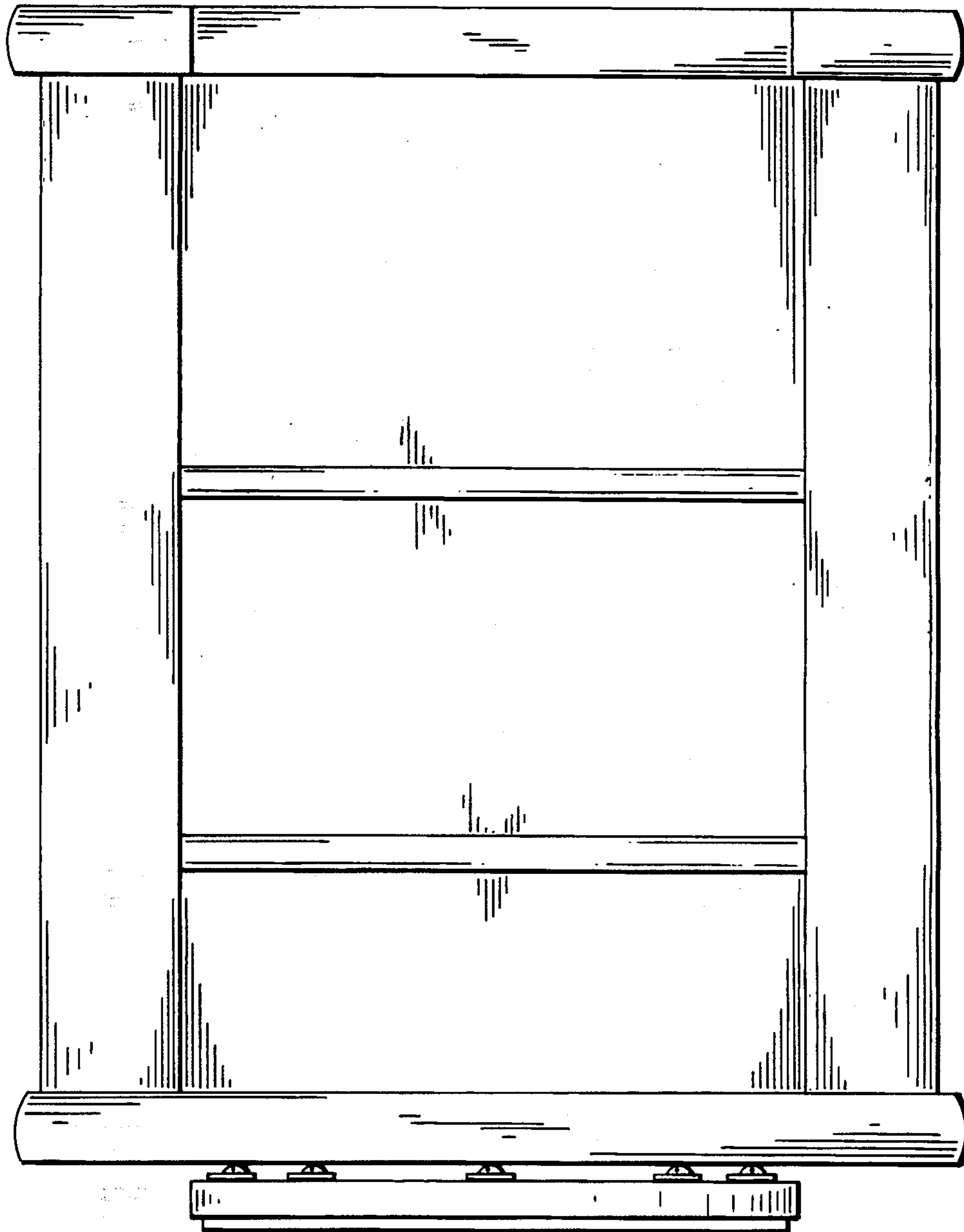
**DESCRIPTION**

FIG. 1 is a top, right front perspective view of an office gadget organizer showing our new design; FIG. 2 is a right side elevational view; FIG. 3 is a left side elevational view; FIG. 4 is a top plan view; FIG. 5 is a bottom plan view; and, FIG. 6 is a front elevational view, the rear view being identical thereto.

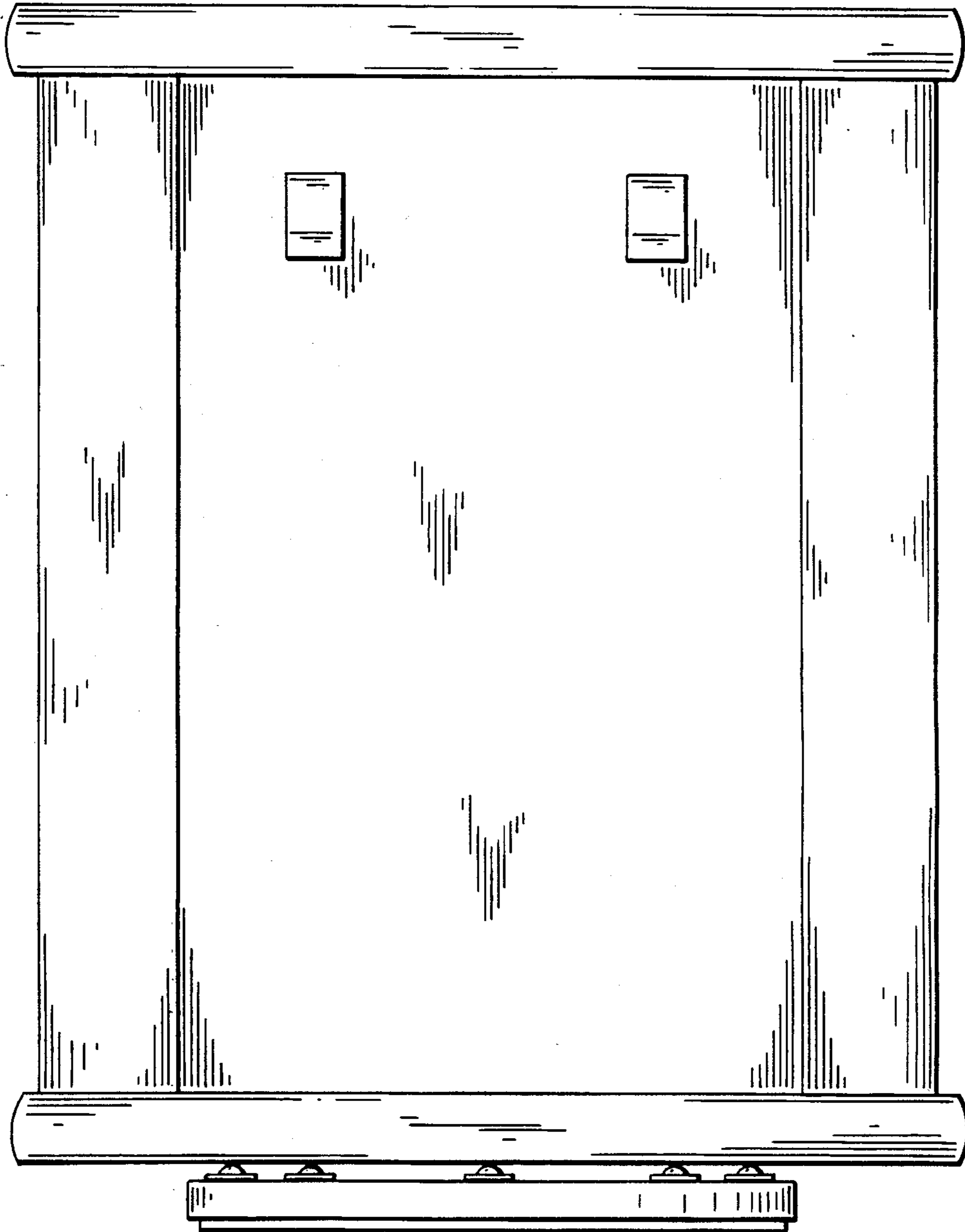




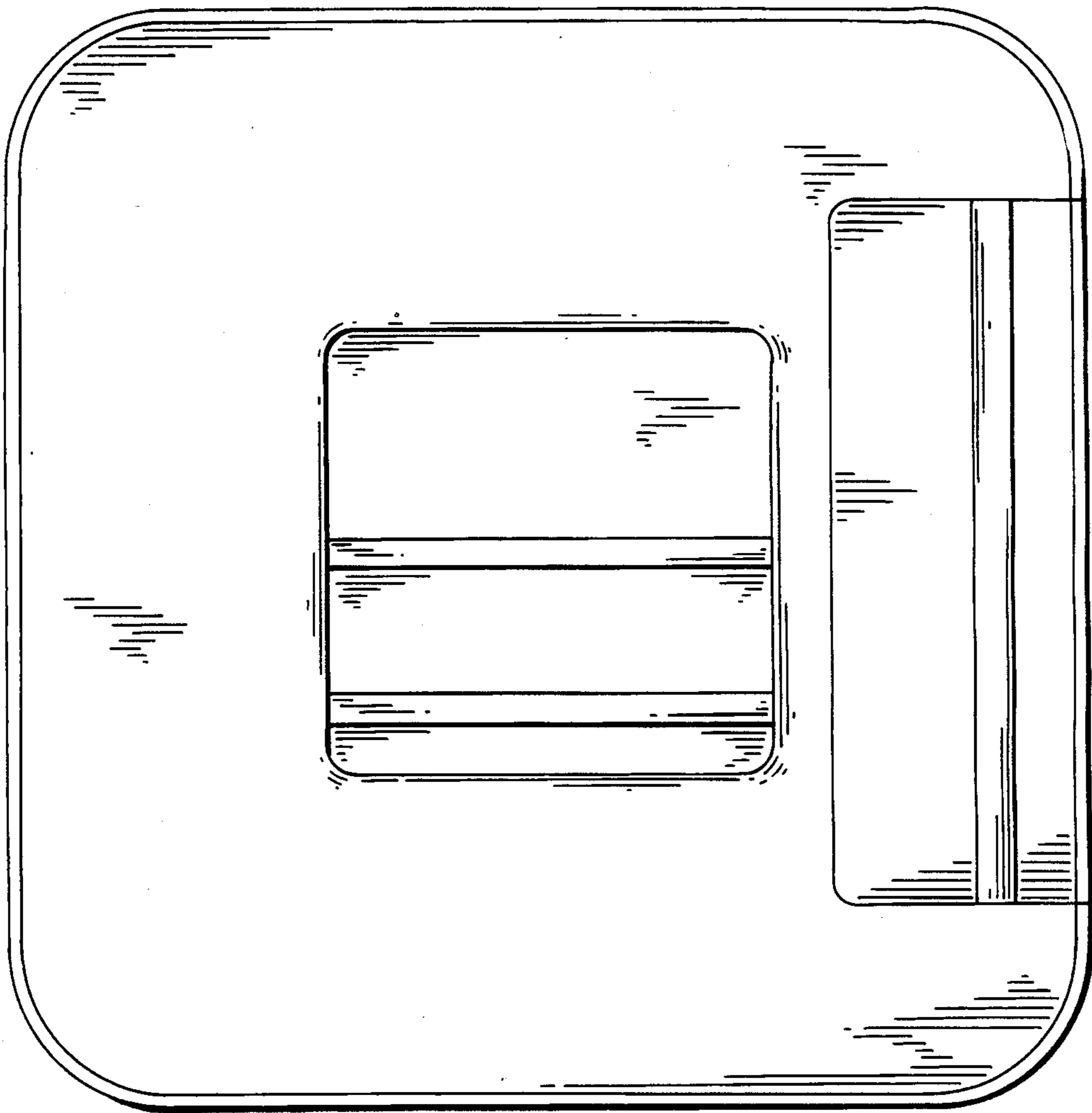
**FIG. 1**



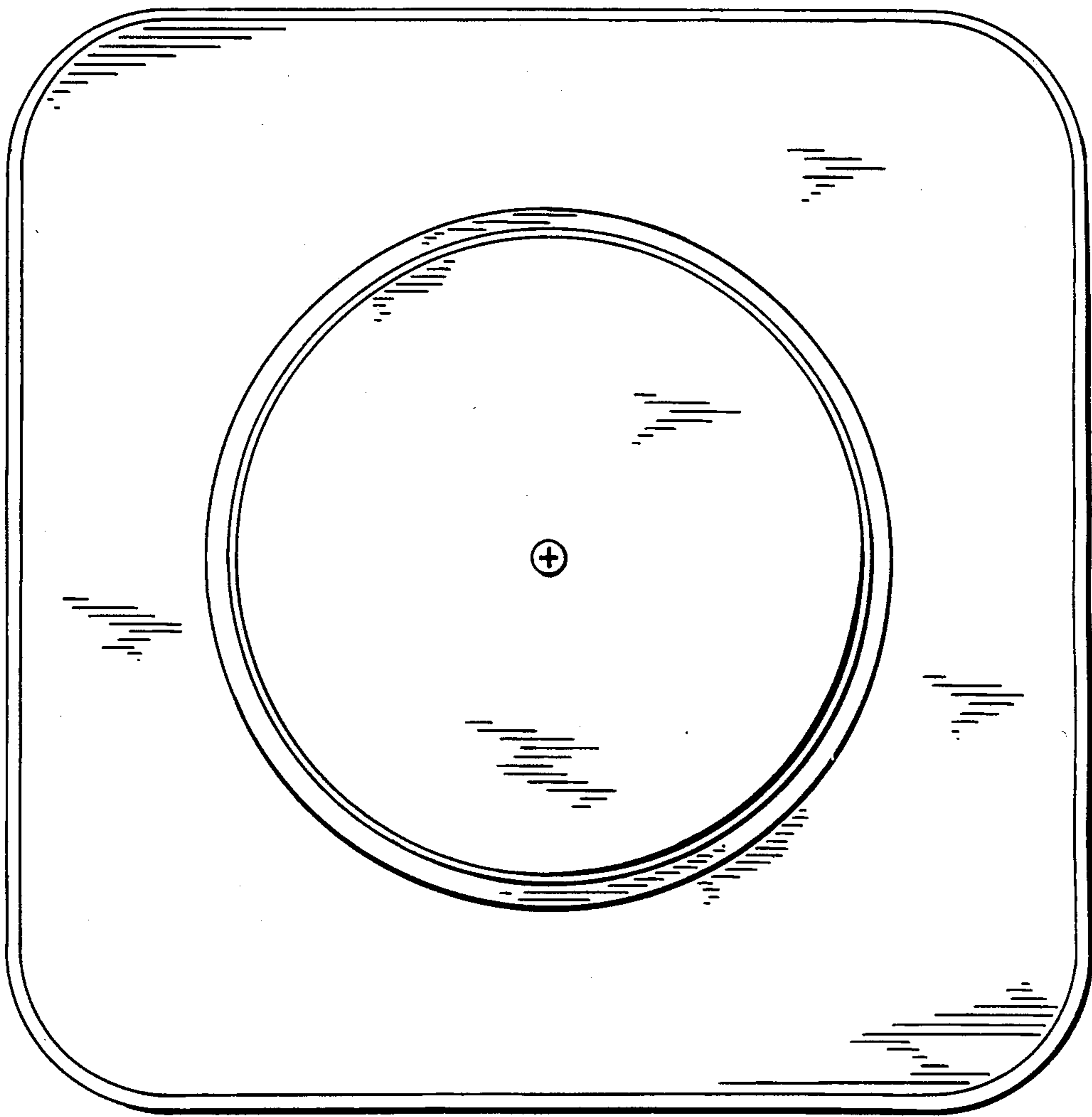
**FIG. 2**



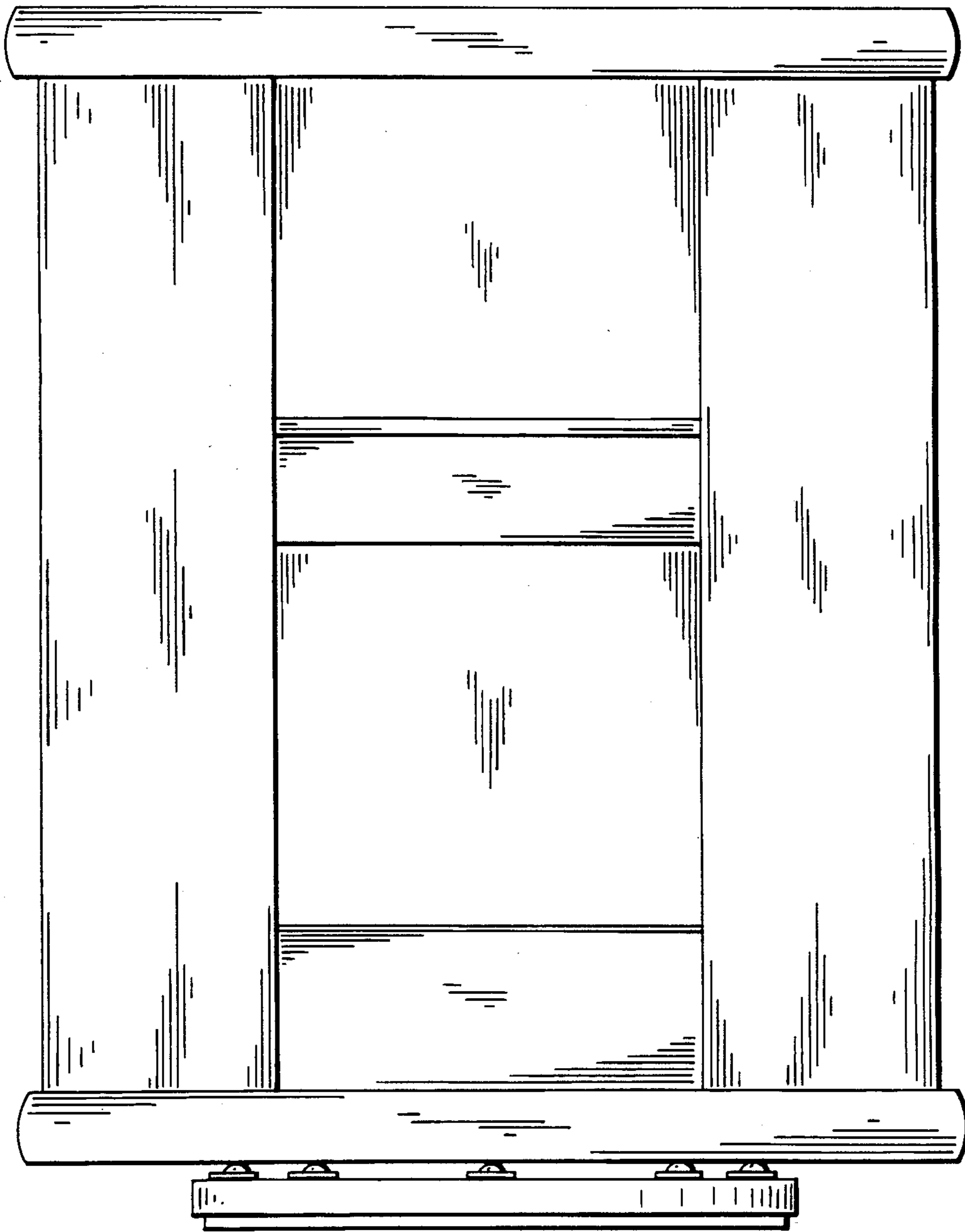
**FIG. 3**



**FIG. 4**



**FIG. 5**



**FIG. 6**