



US00D332967S

United States Patent [19]

[11] Patent Number: **Des. 332,967**

Oglesby

[45] Date of Patent: **** Feb. 2, 1993**

[54] **SCHOOL SUPPLY HOLDER**

[76] Inventor: **Buck Oglesby, P.O. Box 464, Lyons, Ga. 30436**

[**] Term: **14 Years**

[21] Appl. No.: **479,749**

[22] Filed: **Feb. 14, 1990**

[52] U.S. Cl. **D19/77; D19/75; D19/85; D3/30.1**

[58] Field of Search **D19/35, 36, 81-85, D19/77, 78, 95, 99, 100; 206/214, 371, 224; 211/69.1-69.9; D3/30.1, 74**

[56] **References Cited**

U.S. PATENT DOCUMENTS

- D. 189,797 2/1961 Ritts .
- D. 206,896 2/1967 Fiely D19/81 X
- D. 235,080 5/1975 Strada .
- D. 243,975 5/1977 Persson .
- D. 256,963 9/1980 Harrington D19/65 X
- D. 290,853 7/1987 Appel D19/85
- 629,586 7/1899 McIntyre 206/214 X
- 632,167 8/1899 Biesmeyer 206/214
- 844,114 2/1907 Foster 206/214

- 4,403,691 9/1983 Kageyama 206/214
- 4,573,571 3/1986 Leem 206/214
- 4,859,423 8/1989 Perlman 206/214 X

FOREIGN PATENT DOCUMENTS

- 13513 5/1881 Fed. Rep. of Germany 206/214

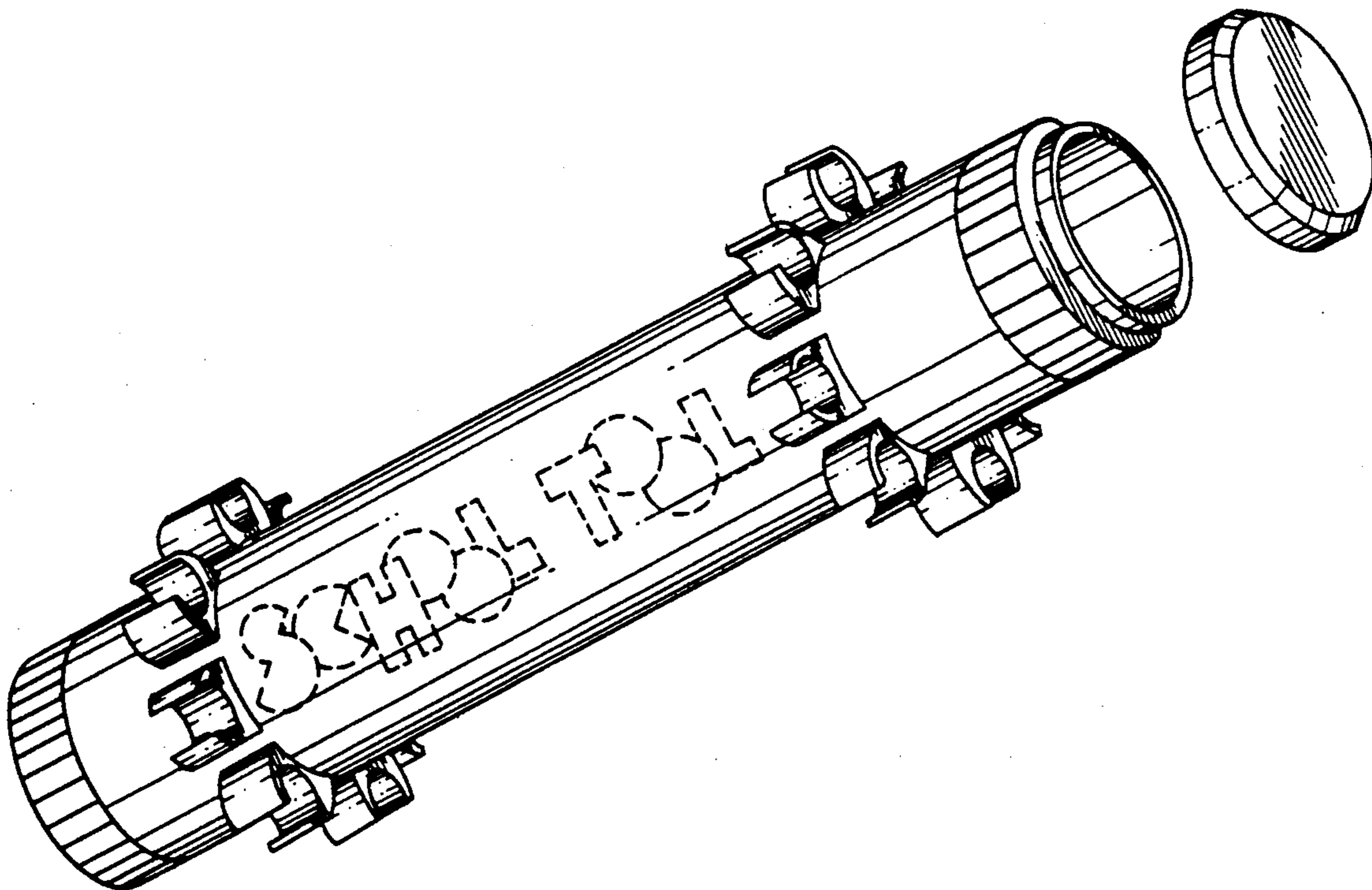
Primary Examiner—Nelson C. Holtje
Assistant Examiner—Martha Thompson
Attorney, Agent, or Firm—Terry M. Gernstein

[57] **CLAIM**

The ornamental design for a school supply holder, as shown and described.

DESCRIPTION

FIG. 1 is a top front perspective view of a school supply holder showing my new design;
 FIG. 2 is a front elevational view, all other sides being identical thereto, with the exception of the indicia shown in broken lines;
 FIG. 3 is a top plan view; and,
 FIG. 4 is a bottom plan view thereof.
 FIG. 2 is drawn to an enlarged scale with respect to FIG. 1 and FIGS. 3 and 4 are drawn to an enlarged scale with respect to FIG. 2.



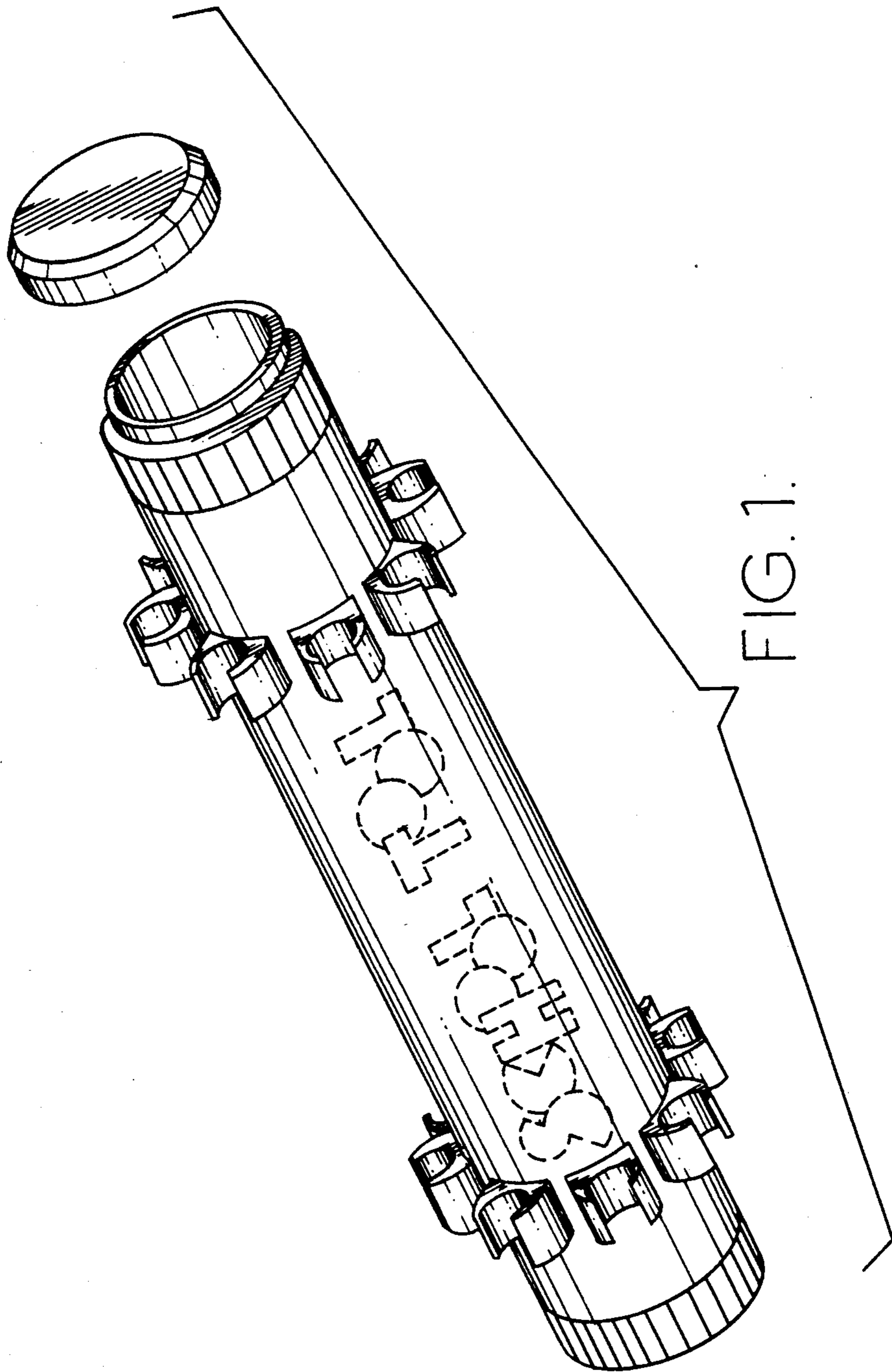


FIG. 1.

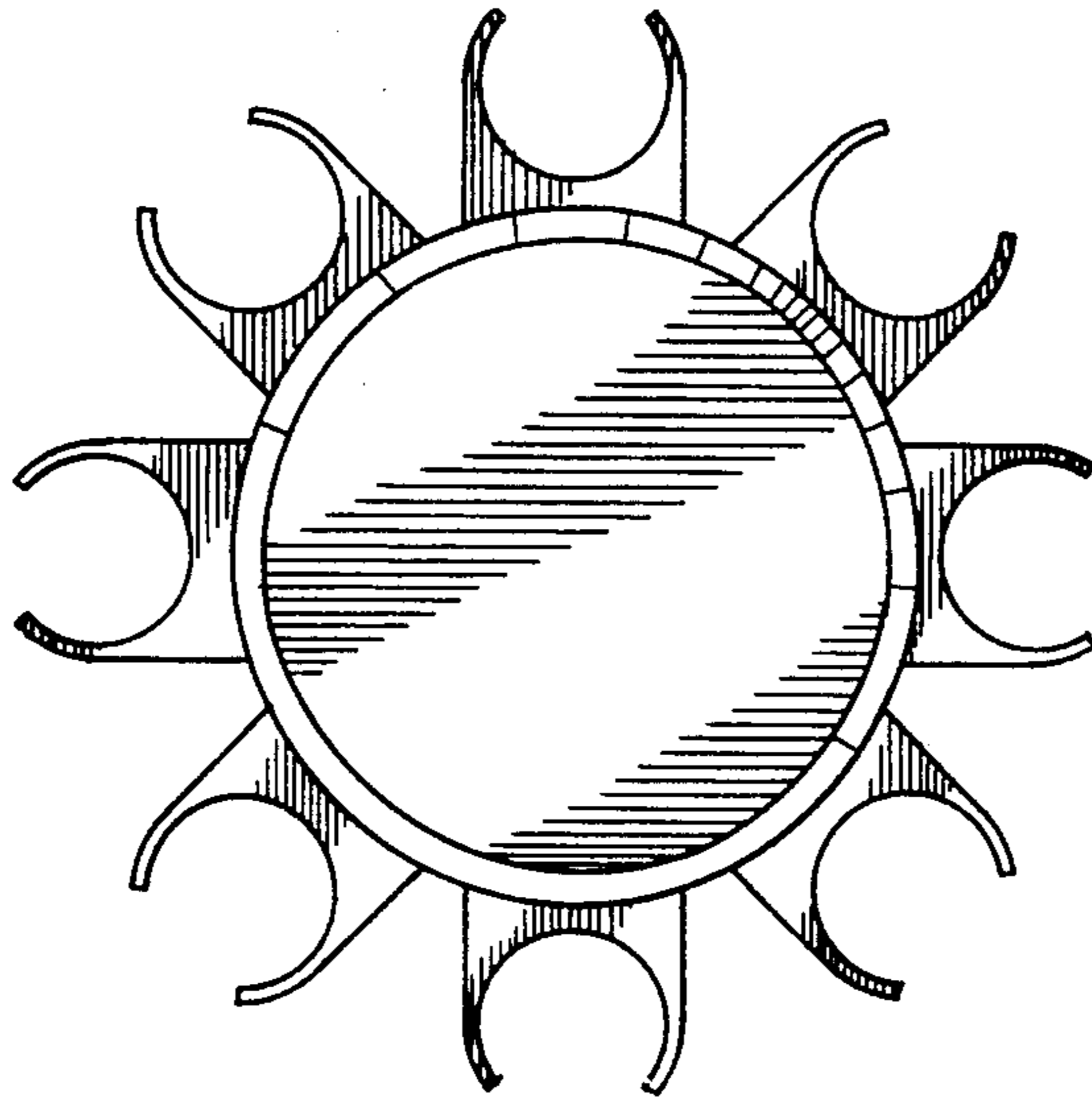


FIG. 3.

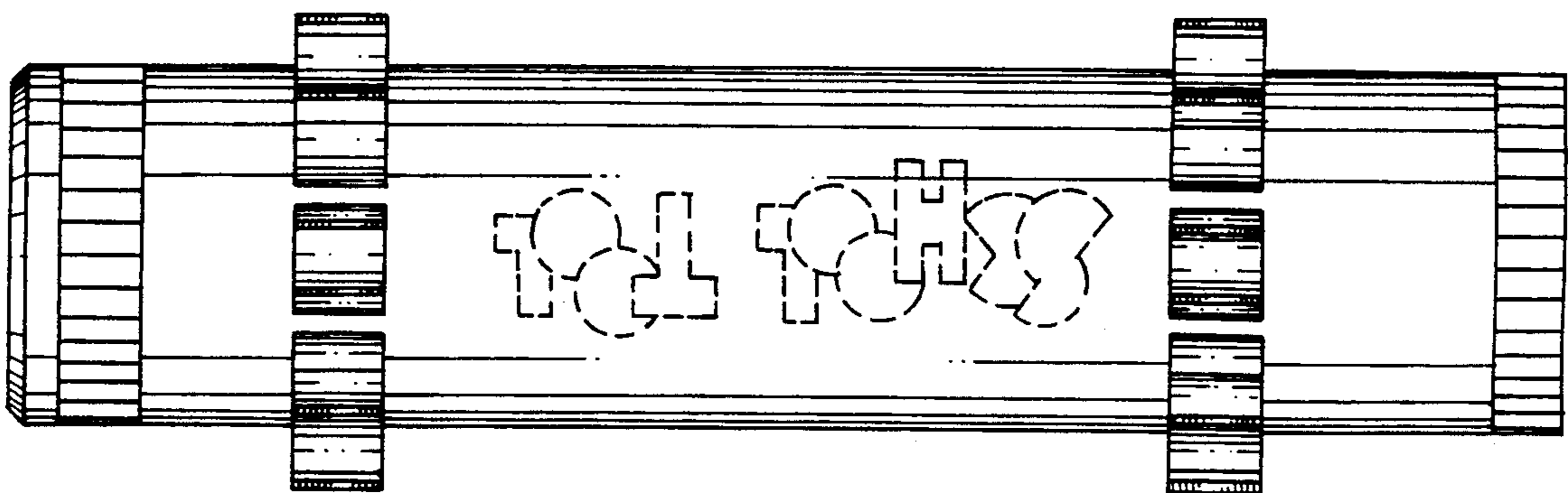


FIG. 2.

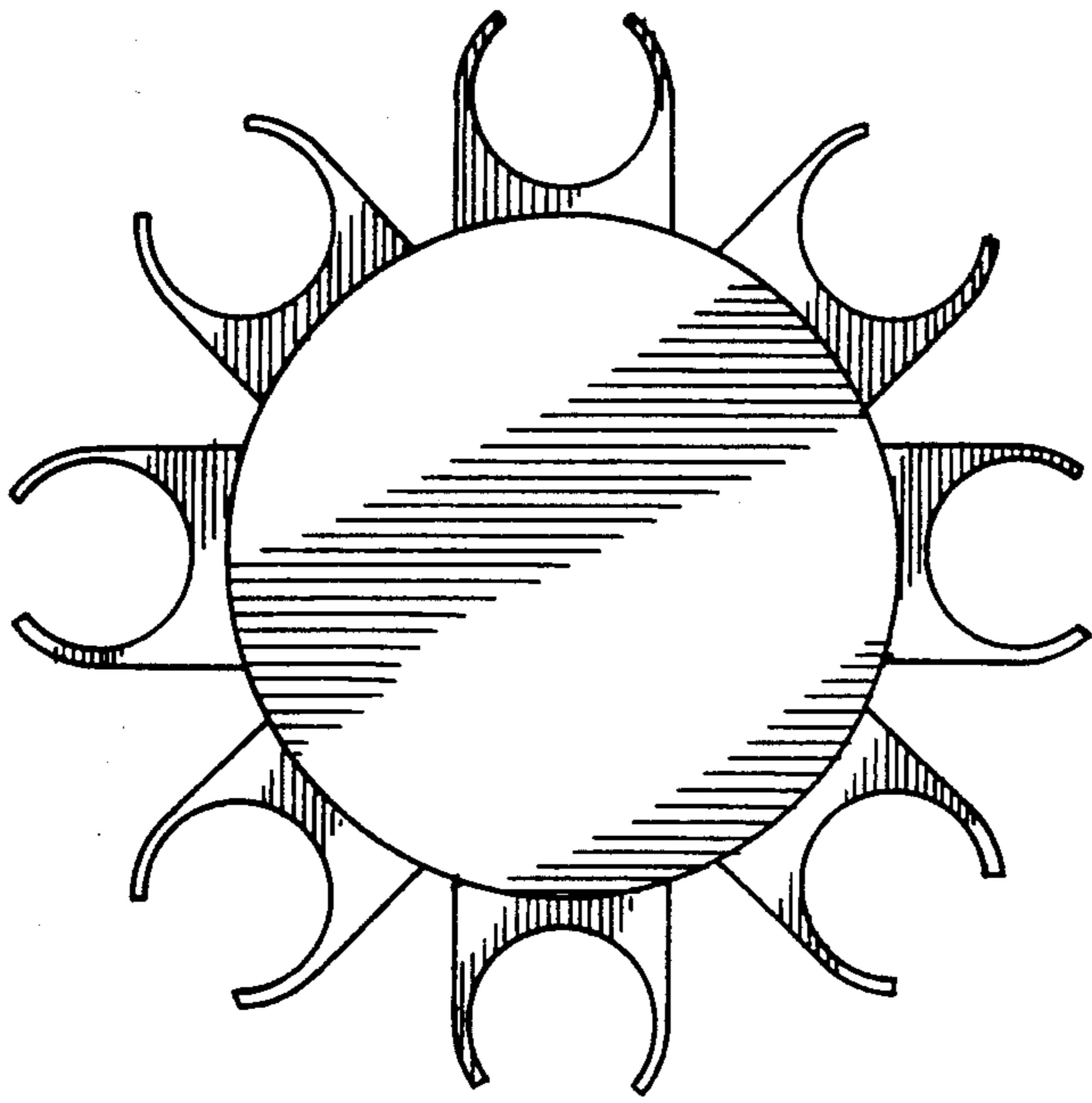


FIG. 4.