



US00D332966S

United States Patent [19]

[11] Patent Number: **Des. 332,966**

Ancona et al.

[45] Date of Patent: **** Feb. 2, 1993**

- [54] **COMBINED FILE BOX AND ORGANIZER FOR ASSORTED DESK ARTICLES**
- [75] Inventors: **Bruce Ancona; Jane Ancona**, both of New York, N.Y.
- [73] Assignee: **M. Kamenstein, Inc.**, White Plains, N.Y.
- [**] Term: **14 Years**
- [21] Appl. No.: **729,088**
- [22] Filed: **Jul. 16, 1991**
- [52] U.S. Cl. **D19/75; D19/78; D19/85; D19/90**
- [58] Field of Search **D3/30.1, 74; D19/65, D19/75, 77, 78, 81-85, 86, 90, 91, 99, 100; 206/214, 425, 224, 371; 211/10, 11, 13, 45, 50**

4,512,503 4/1985 Gioso 206/371 X
 4,591,056 5/1986 Groch 206/214 X

Primary Examiner—Nelson C. Holtie
Assistant Examiner—Martha Thompson
Attorney, Agent, or Firm—James A. Drobile; Robert A. Koons; Robert E. Rosenthal

[57] CLAIM

The ornamental design for a combined file box organizer for assorted desk articles, as shown and described.

DESCRIPTION

FIG. 1 is a top, left front perspective view of a combined file box and organizer for assorted desk articles showing our new design;
 FIG. 2 is a front elevational view;
 FIG. 3 is a rear elevational view;
 FIG. 4 is a top plan view;
 FIG. 5 is a bottom plan view;
 FIG. 6 is a right side elevational view, the left side being a mirror image thereof;
 FIG. 7 is a top, left front perspective view with the lid member in an opened position;
 FIG. 8 is a top plan view of FIG. 7; and,
 FIG. 9 is a top plan view with the cover member removed for convenience of illustration.
 FIGS. 2 through 6 and 8 and 9 have been drawn to an enlarged scale with respect to FIGS. 1 and 7.

- [56] **References Cited**
- U.S. PATENT DOCUMENTS**
- D. 194,525 2/1963 D'Arcy D19/90
- D. 303,813 10/1989 Foran et al. D19/92 X
- D. 305,280 1/1990 Wolff et al. D3/35
- 312,756 2/1885 Peck 206/214 X
- D. 327,091 6/1992 Ancona et al. D19/90 X
- D. 327,913 7/1992 Ancona et al. D19/75
- 3,476,257 11/1969 O'Connell 211/69.5 X
- 3,612,335 10/1971 Schurman D3/74 X

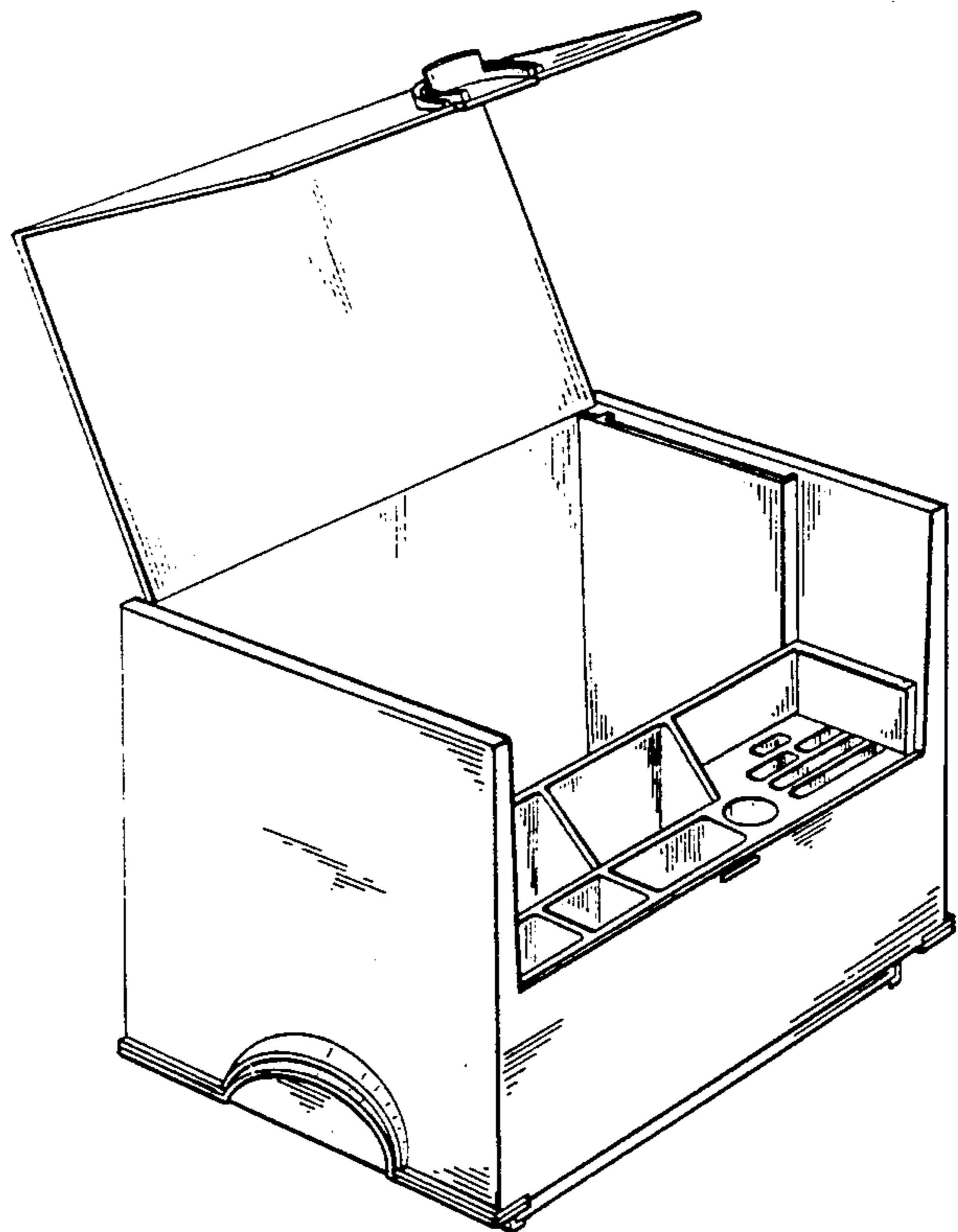
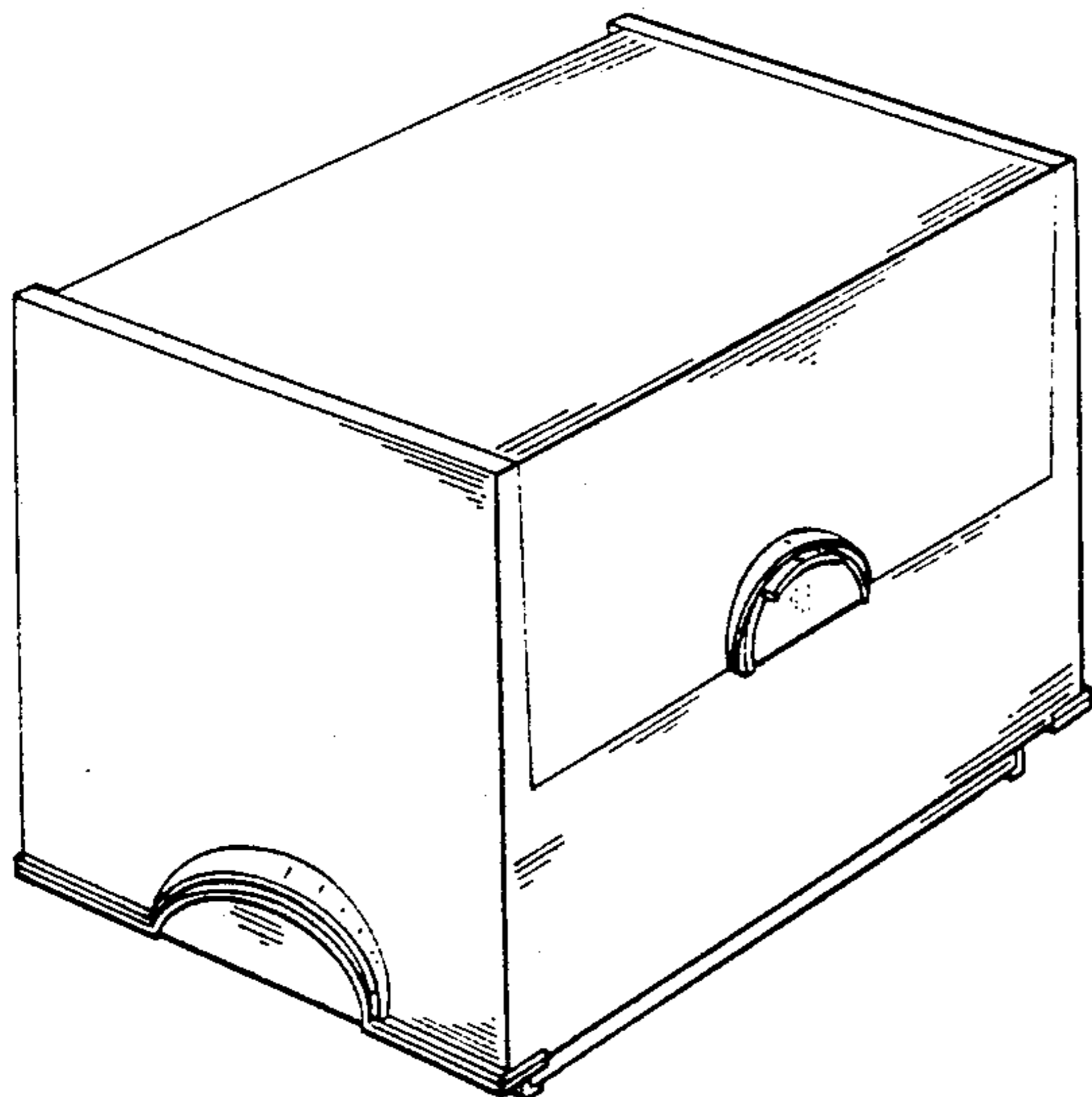
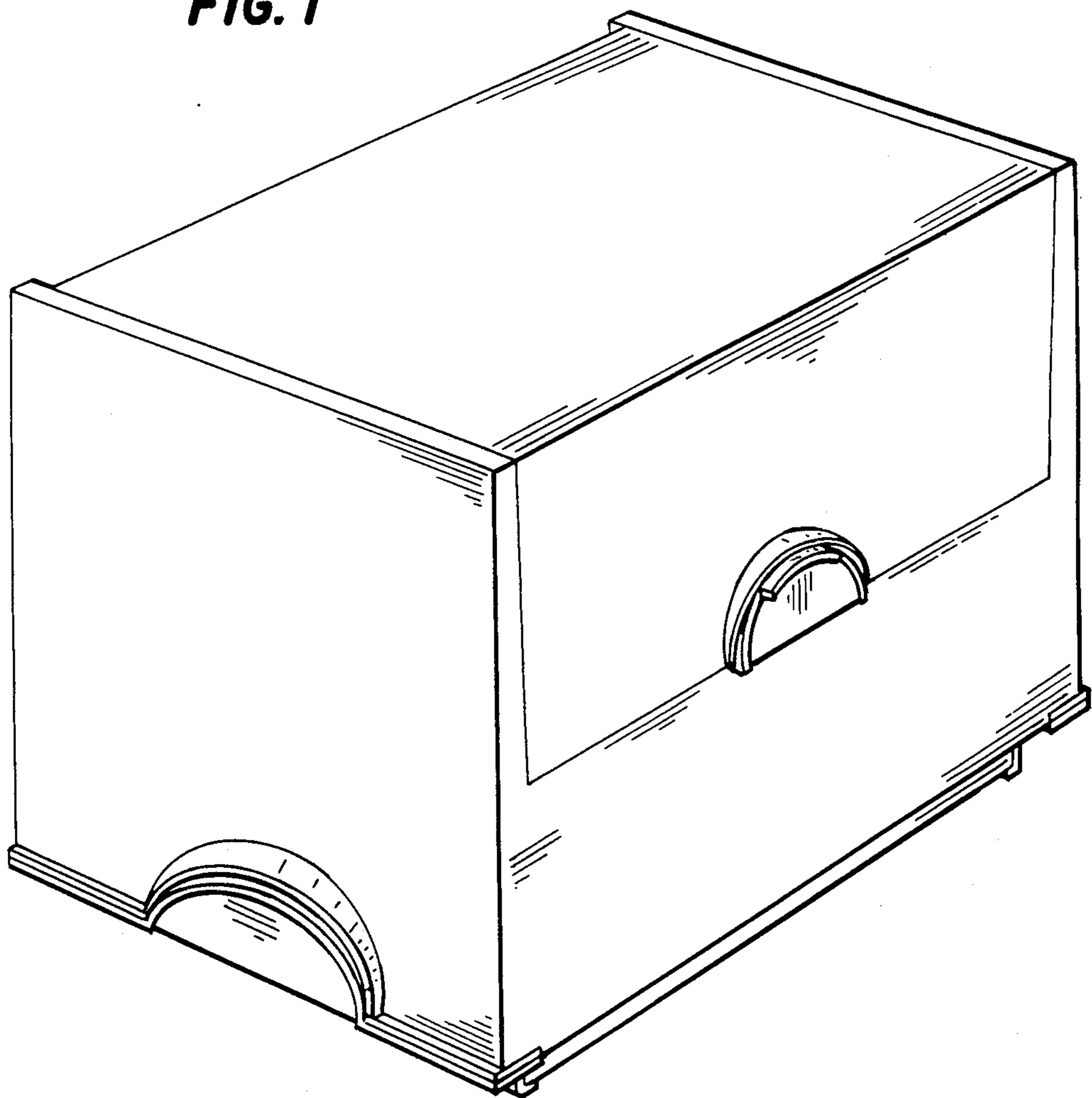


FIG. 1



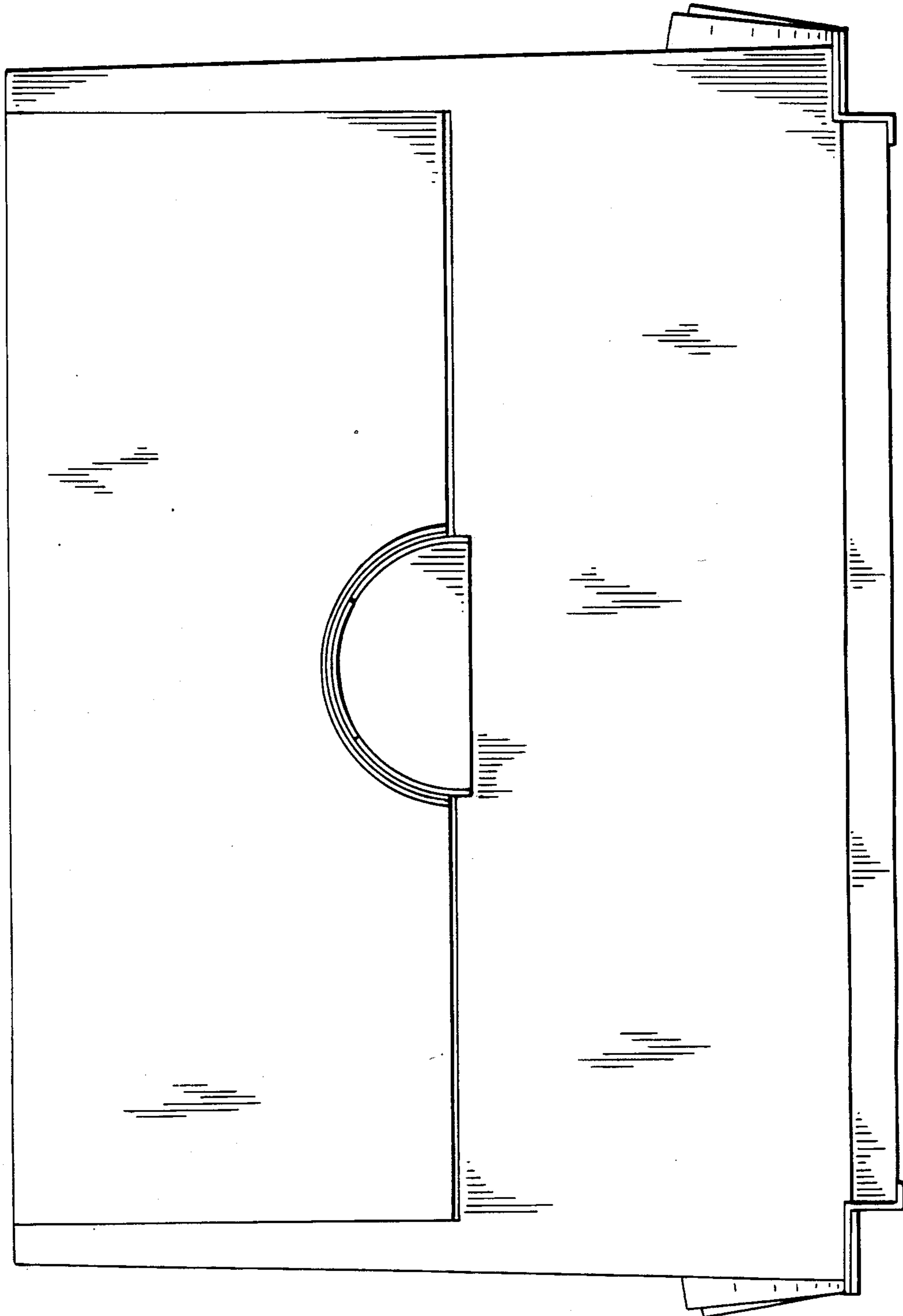


FIG. 2

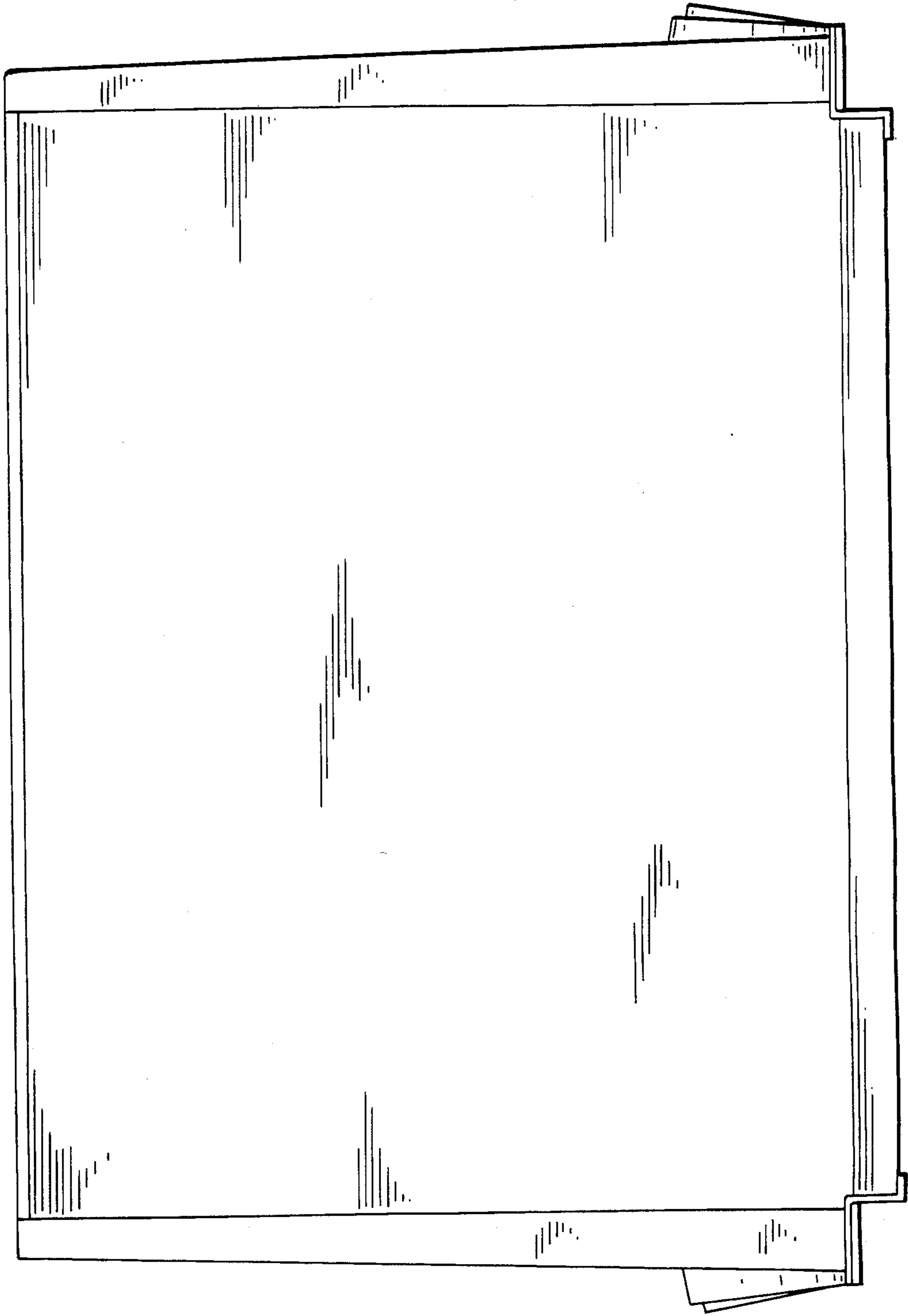


FIG. 3

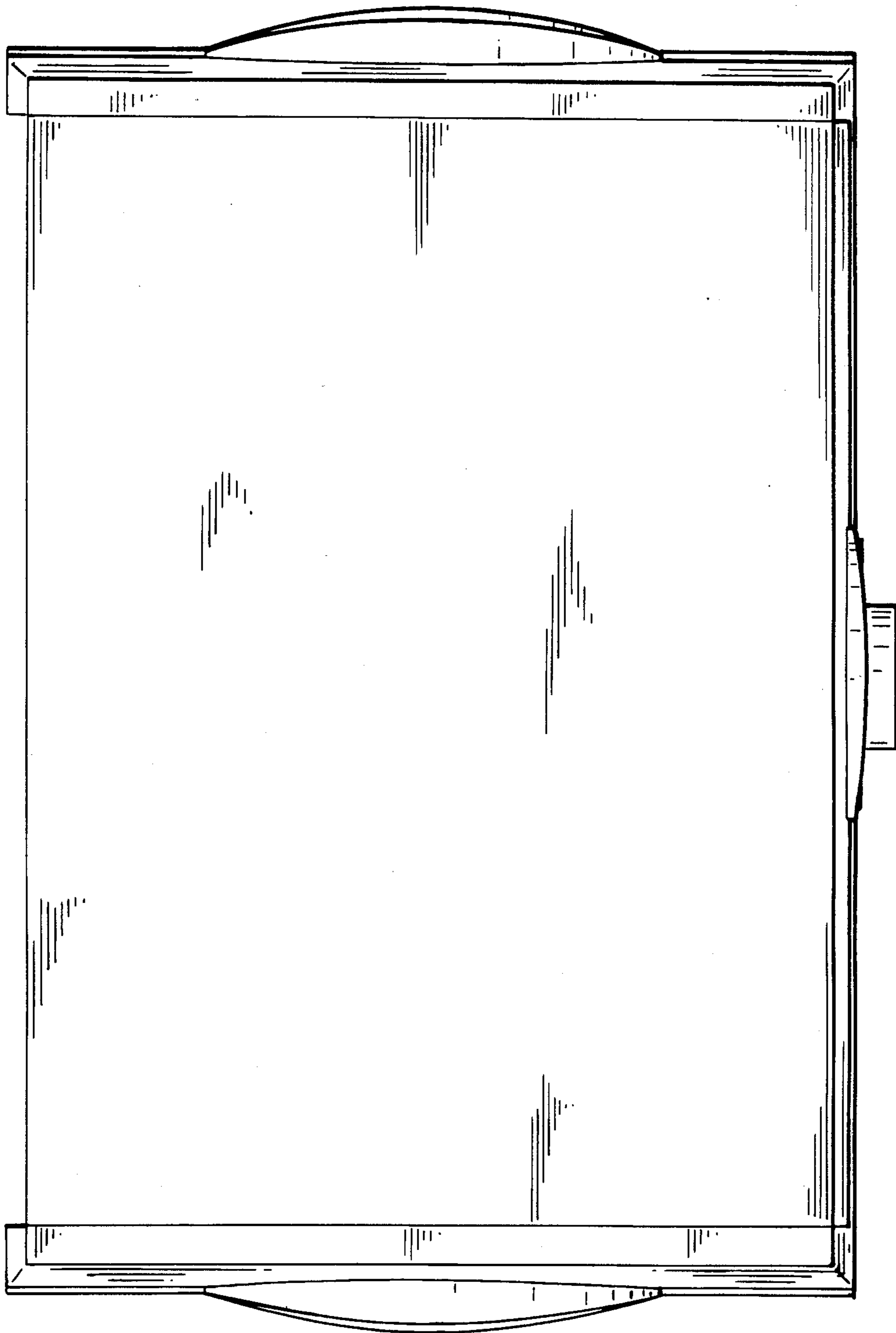
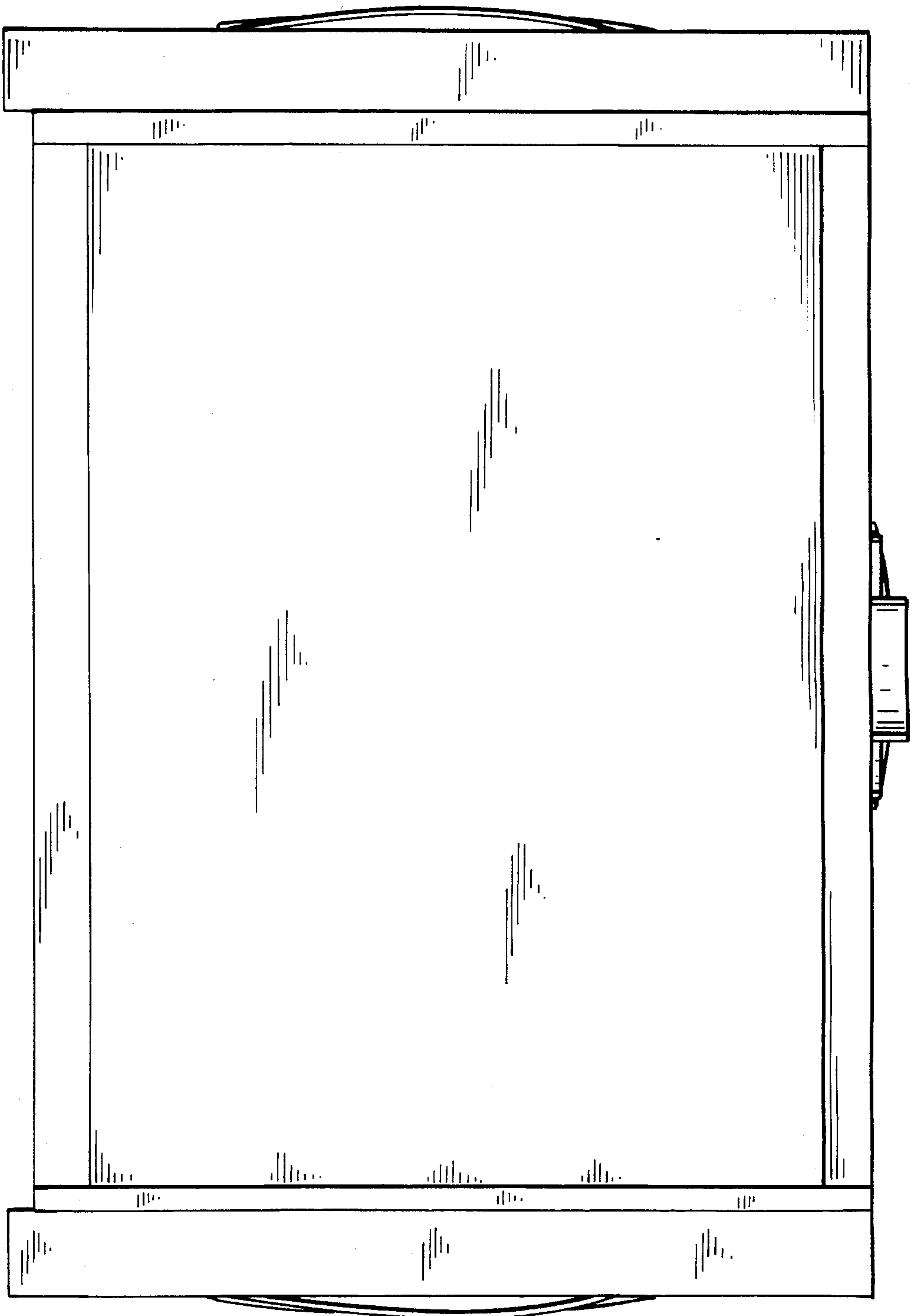


FIG. 4

FIG. 5



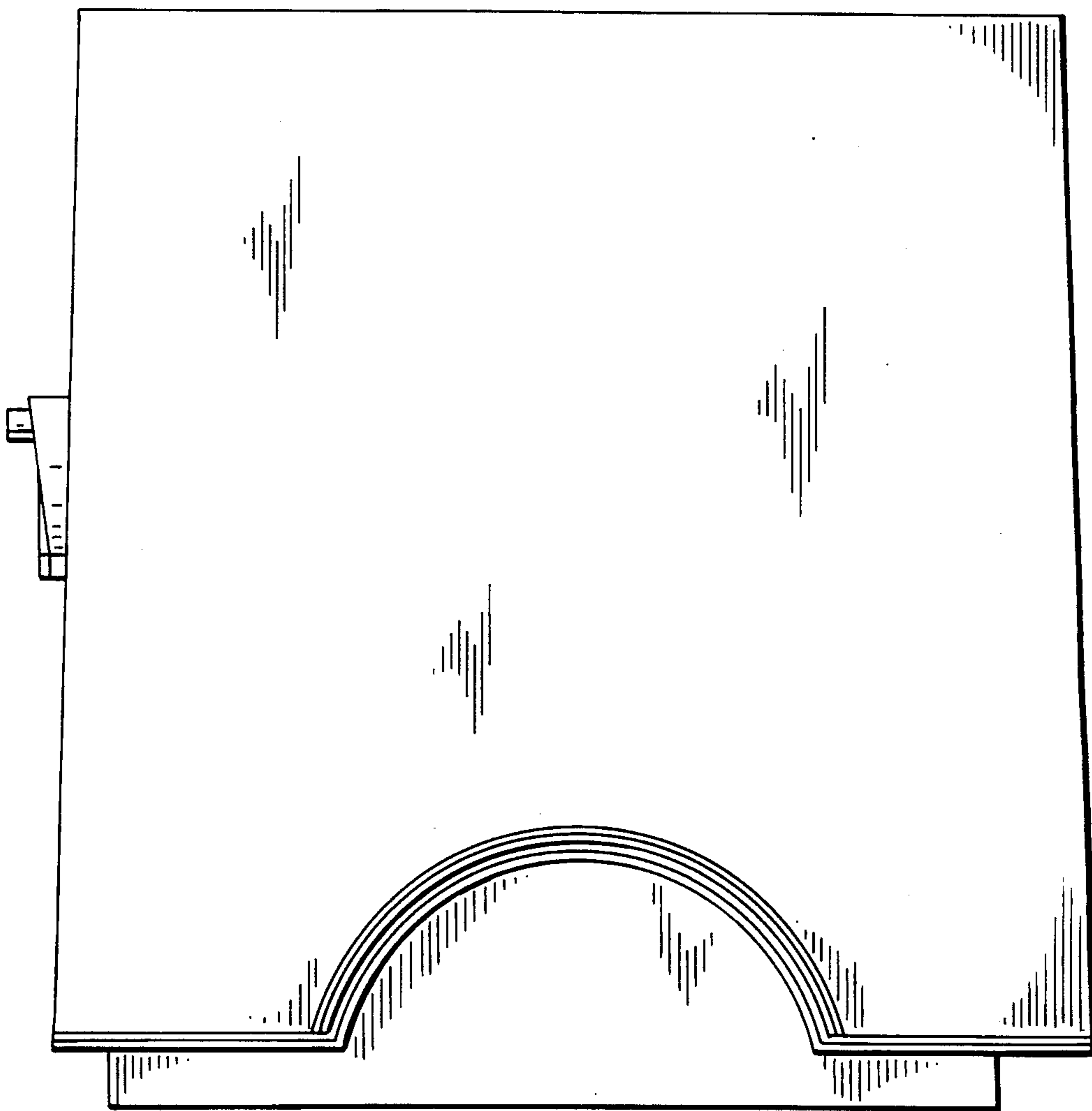


FIG. 6

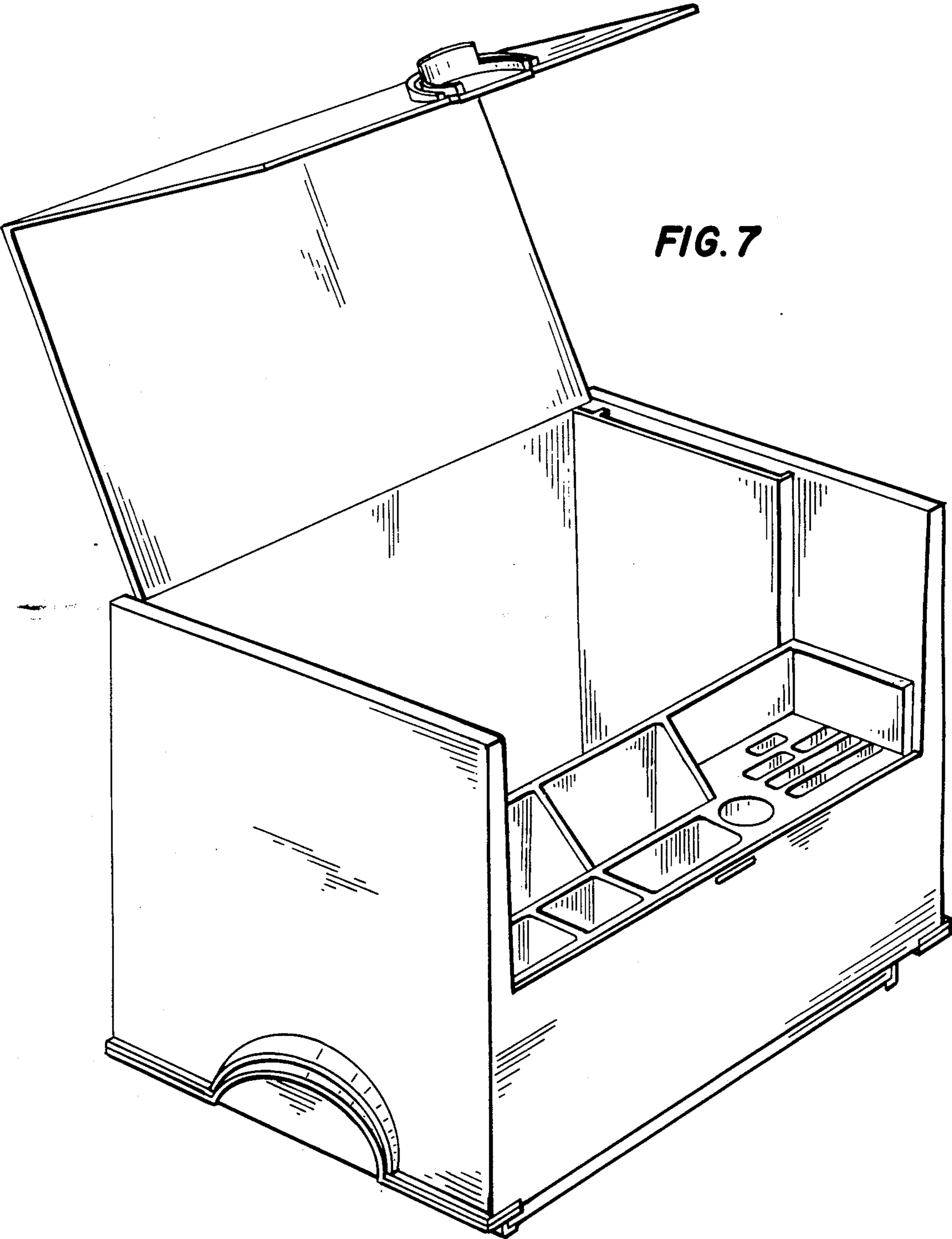


FIG. 7

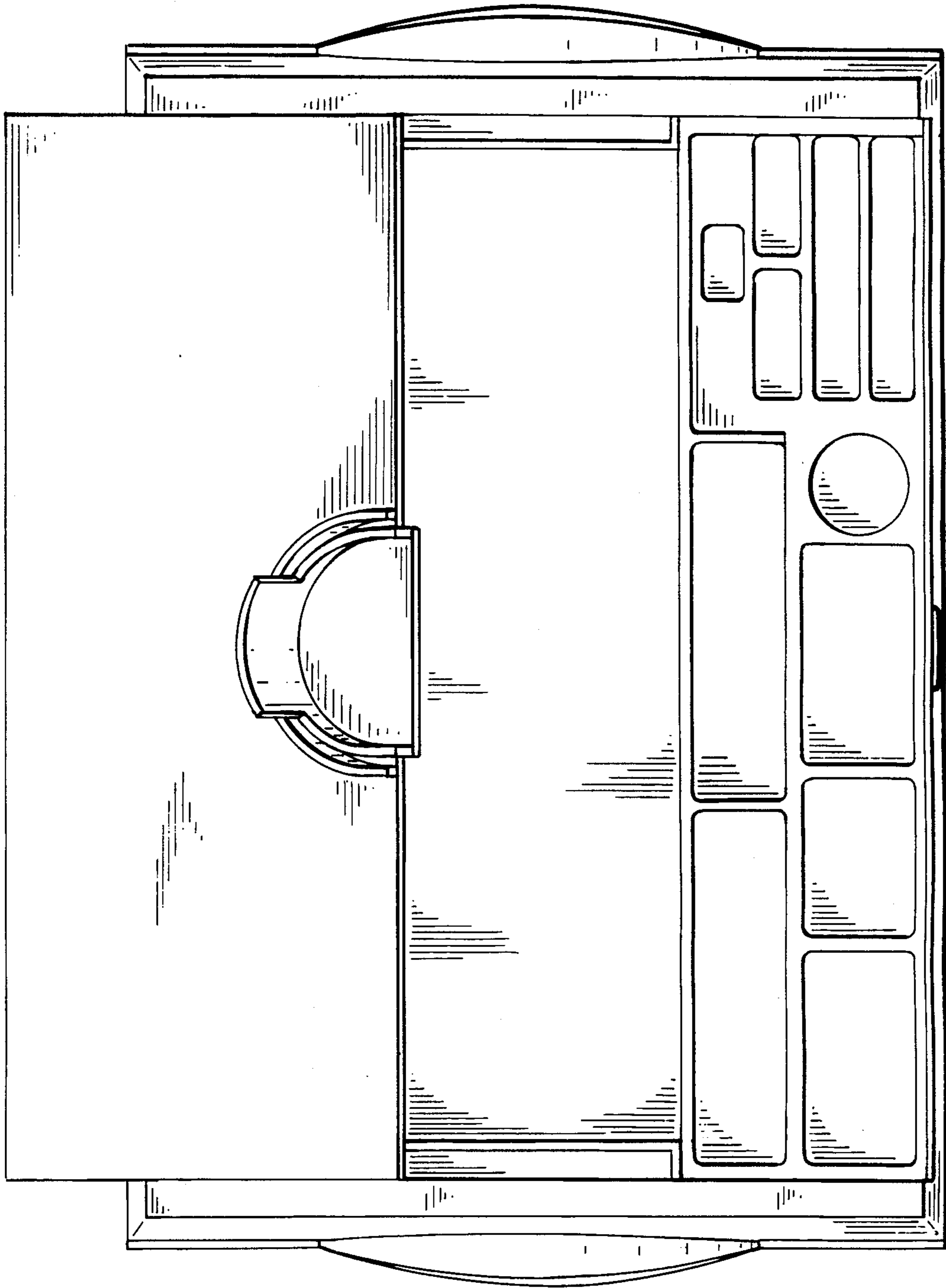


FIG. 8

FIG. 9

