



US00D332960S

United States Patent [19]

[11] Patent Number: **Des. 332,960**

Pierce

[45] Date of Patent: **** Feb. 2, 1993**

[54] TYPEWRITER

- [75] Inventor: **Paul M. Pierce, Syracuse, N.Y.**
- [73] Assignee: **Smith Corona Corporation, Cortland, N.Y.**
- [*] Notice: The portion of the term of this patent subsequent to Nov. 6, 2004 has been disclaimed.
- [**] Term: **14 Years**
- [21] Appl. No.: **570,175**
- [22] Filed: **Aug. 20, 1990**
- [52] U.S. Cl. **D18/1**
- [58] Field of Search **D18/1, 2, 11; D14/100, D14/106, 113; 235/145 R, 145 A, 146; 312/208; 340/700, 706, 711, 712; 341/20-23; 364/706-708; 400/83, 122, 109-111, 485-486, 472, 489, 690.2-694**

[56]

References Cited

U.S. PATENT DOCUMENTS

D. 290,849	7/1987	Gubbe et al.	D18/1
D. 299,248	1/1989	Kasagi et al.	D18/1
D. 300,434	3/1989	Tamada et al.	D18/1
D. 311,926	11/1990	Kasprzycki	D18/1

OTHER PUBLICATIONS

Co-Pending Design patent application Ser. No. 07/040,654 filed Apr. 17, 1987 for "Typewriter", Art Unit 292.
 Co-Pending Design patent application Ser. No. 07/040,653 filed Apr. 17, 1987 for "Typewriter", Art Unit 292.
 Co-Pending Design patent application Ser. No. 07/294,542 filed Jan. 6, 1989 for "Typewriter", Art Unit 292.

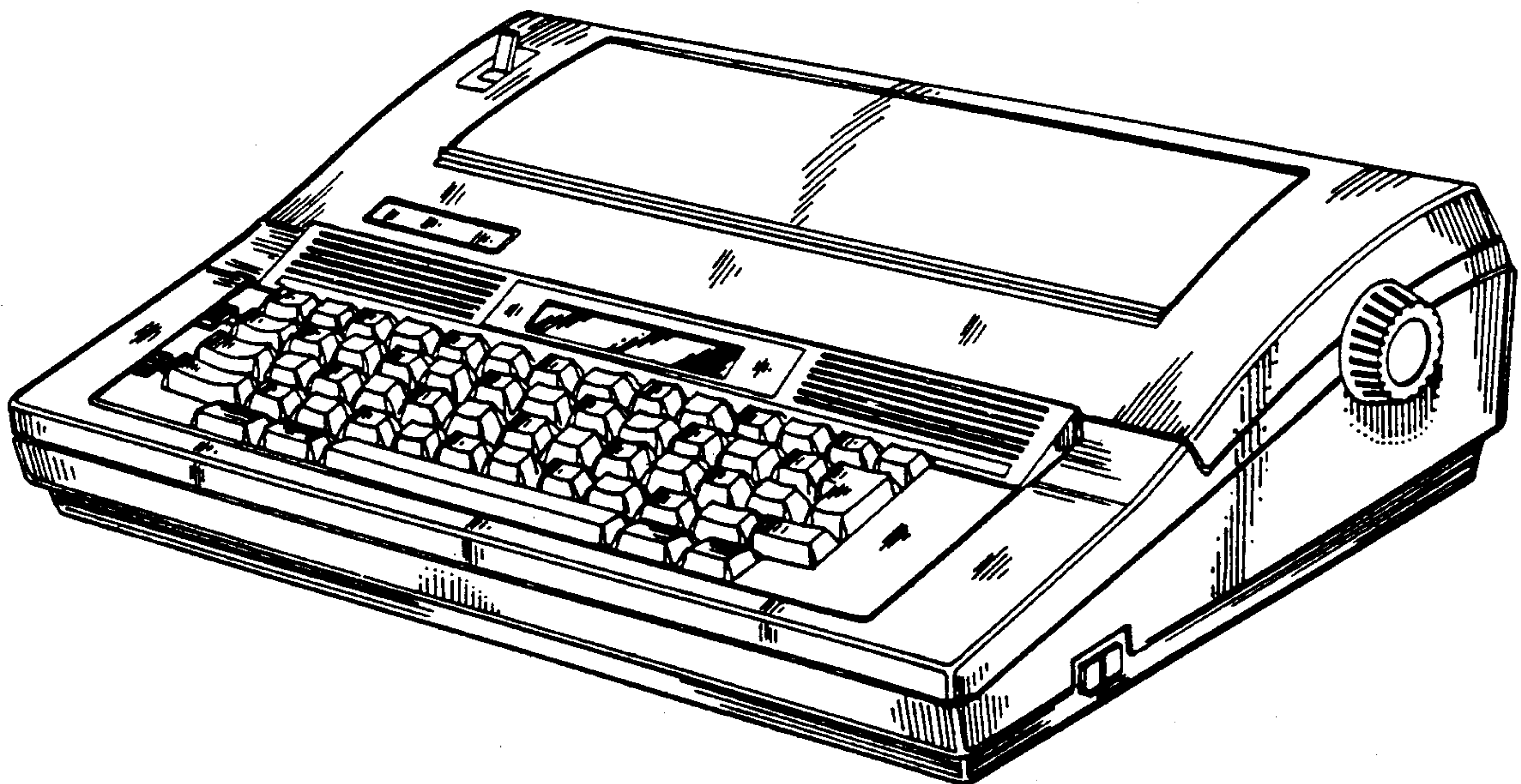
Primary Examiner—Alan P. Douglas
Assistant Examiner—Ann Hunt

[57] CLAIM

The ornamental design for a typewriter, as shown.

DESCRIPTION

FIG. 1 is a right, front perspective view of a typewriter showing my new design;
 FIG. 2 is a top plan view thereof;
 FIG. 3 is a bottom plan view thereof;
 FIG. 4 is a front elevational view thereof;
 FIG. 5 is a rear elevational view thereof;
 FIG. 6 is a left side elevational view thereof; and,
 FIG. 7 is a right side elevational view thereof.



U.S. Patent

Feb. 2, 1993

Sheet 1 of 5

Des. 332,960

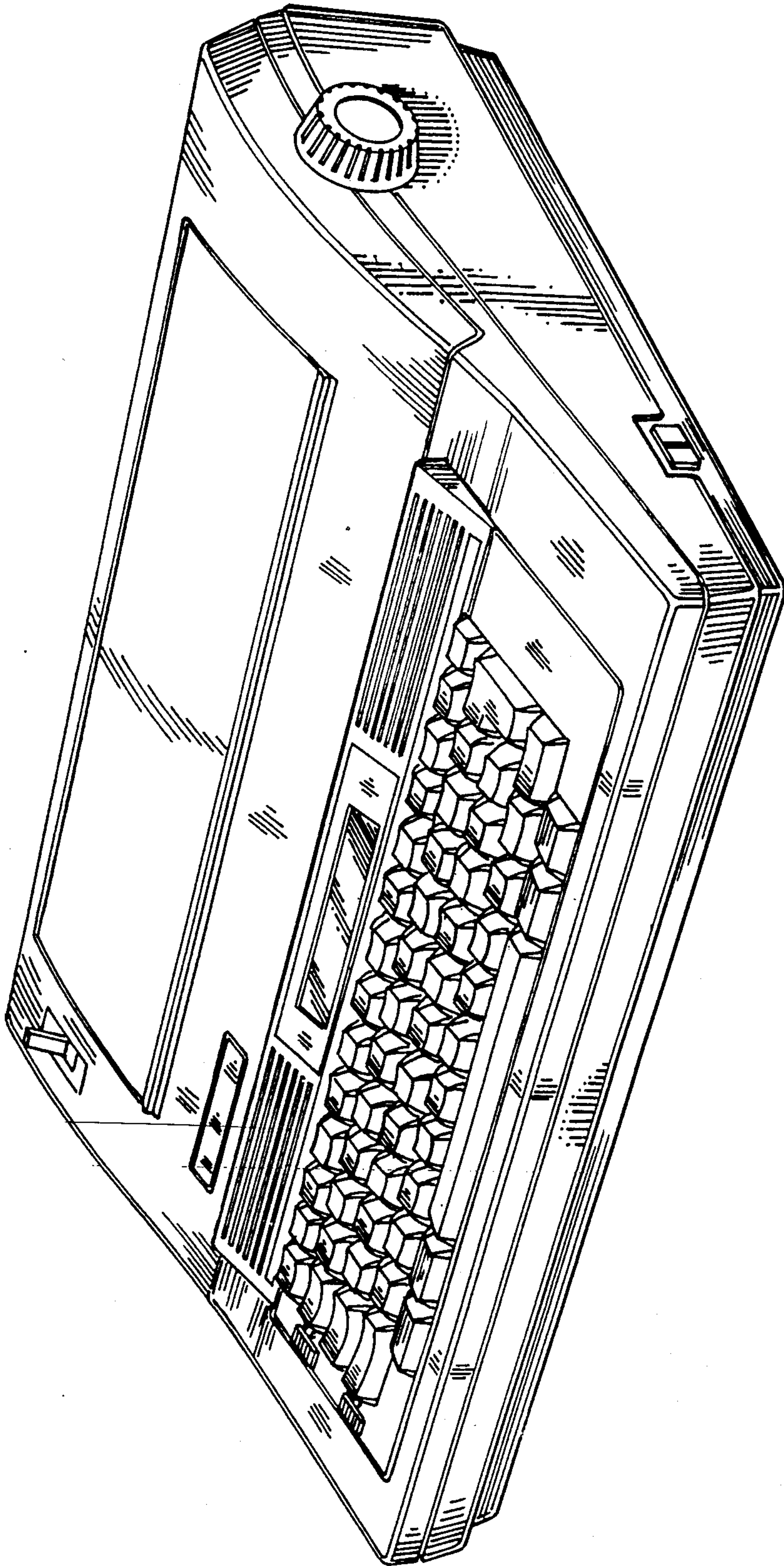


FIG. 1

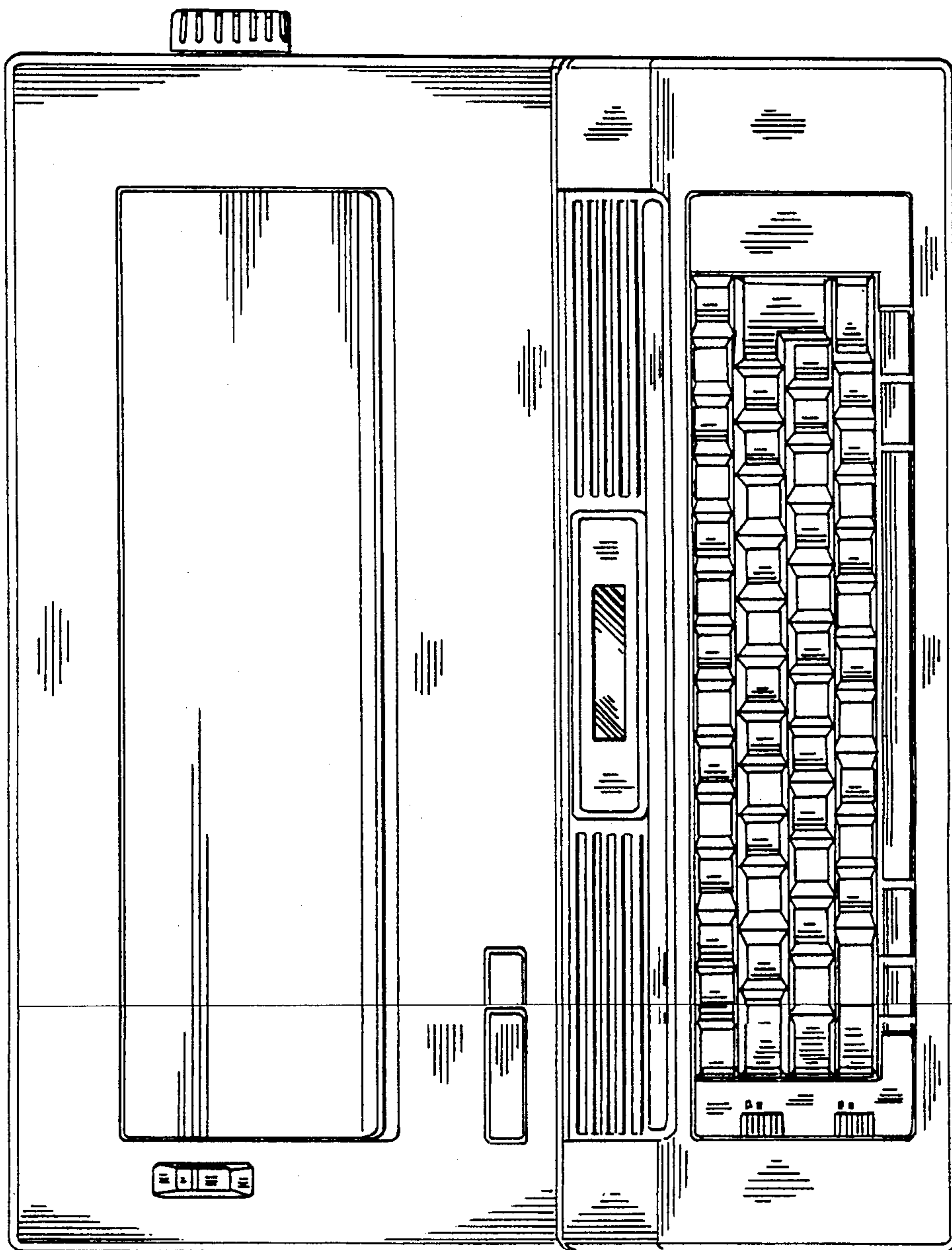


FIG. 2

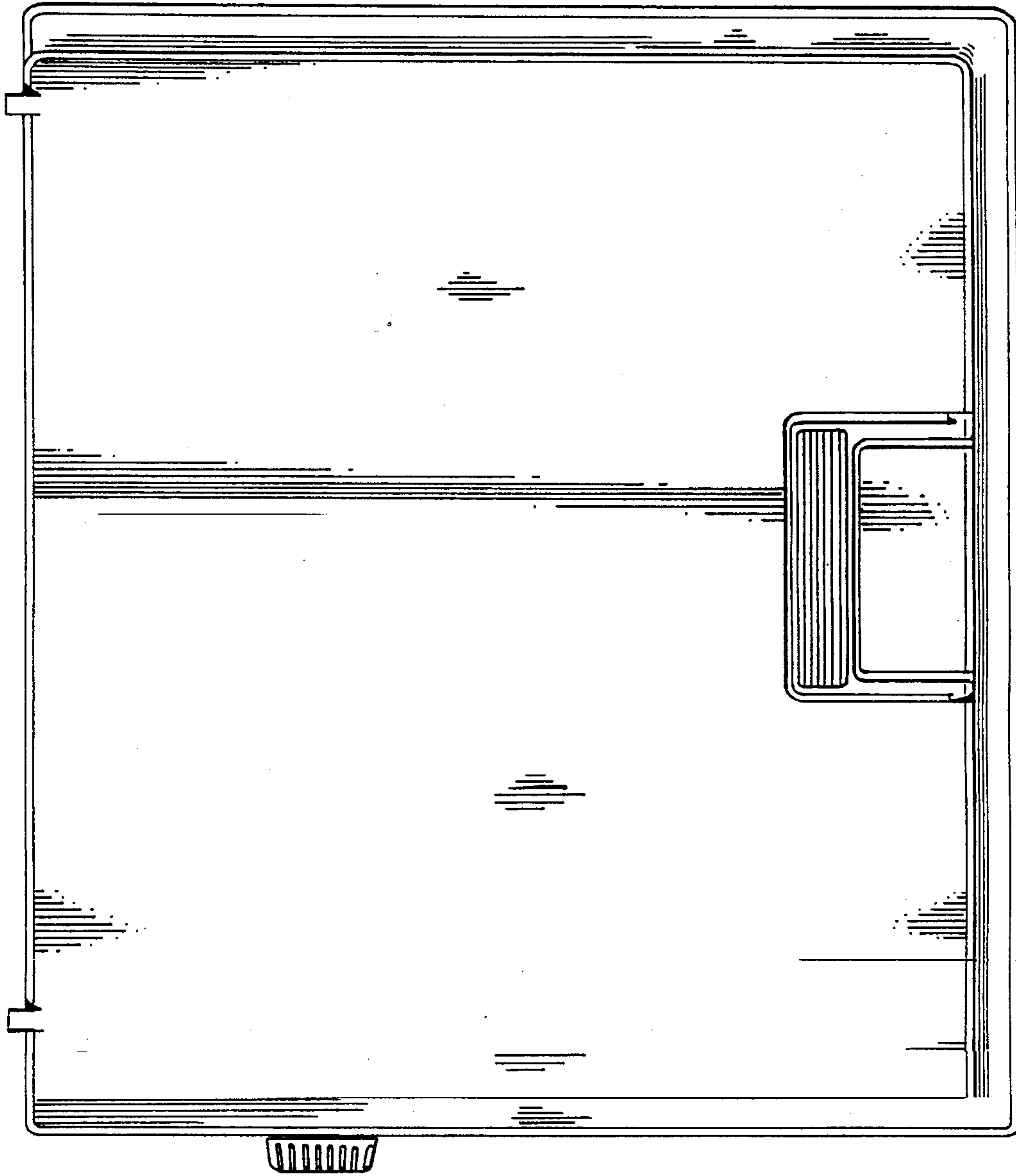


FIG. 3

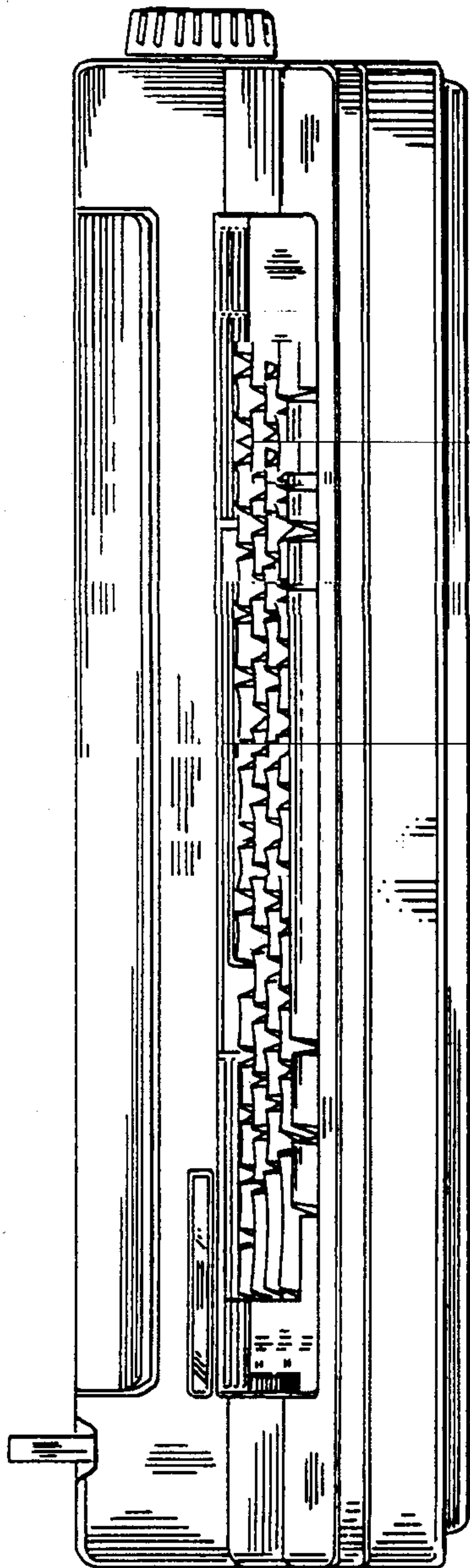


FIG. 4

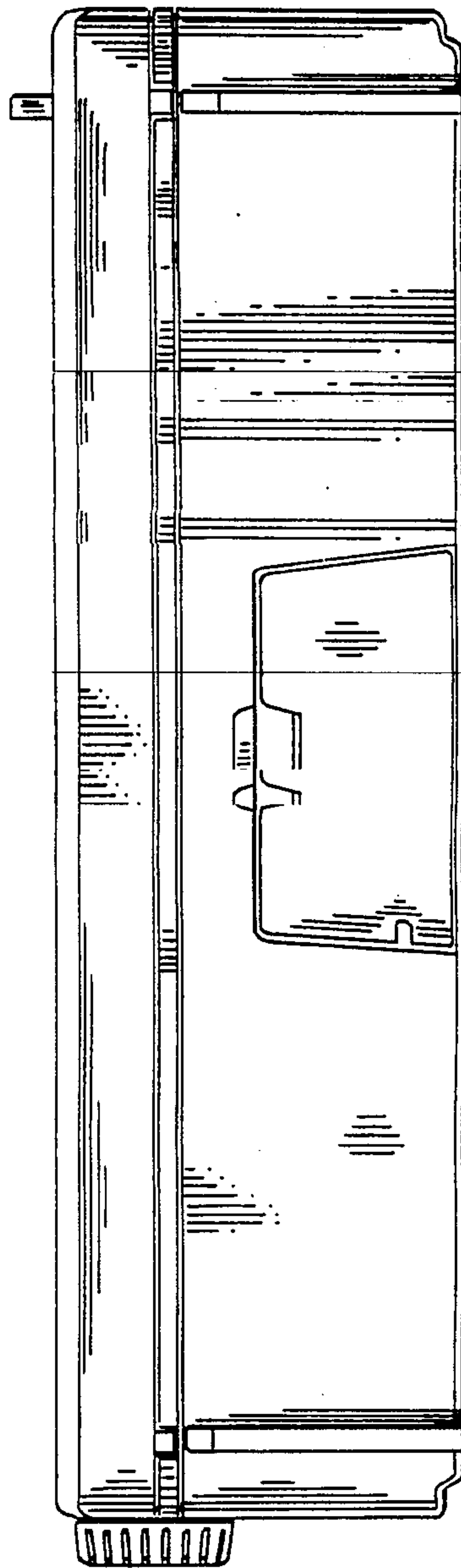


FIG. 5

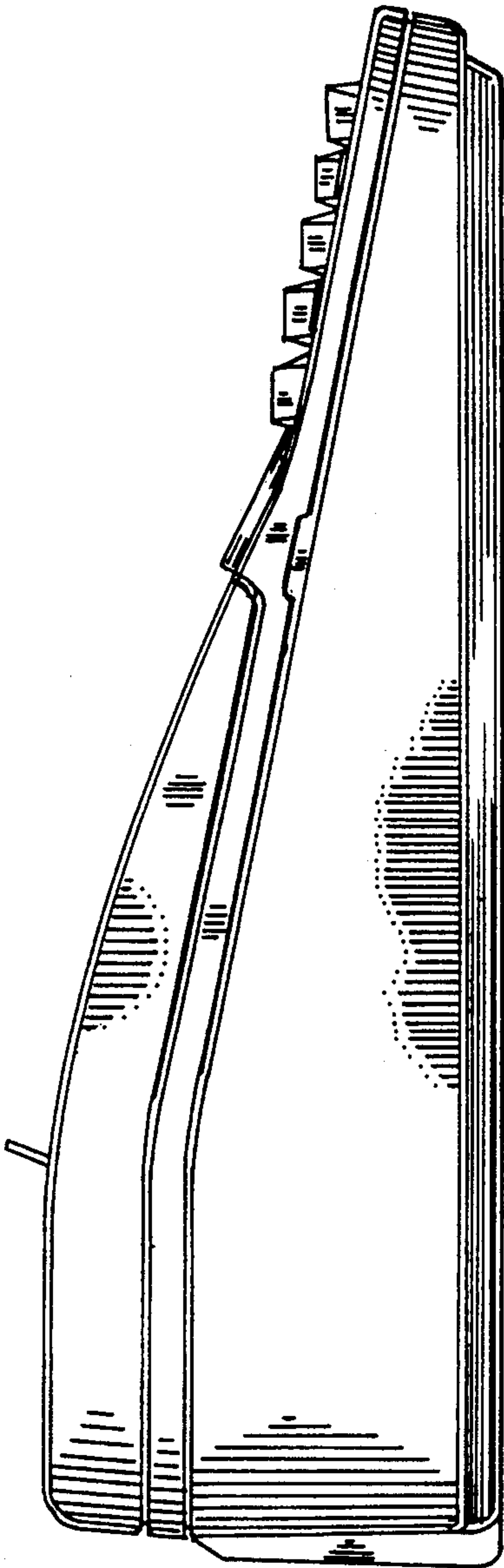


FIG. 6

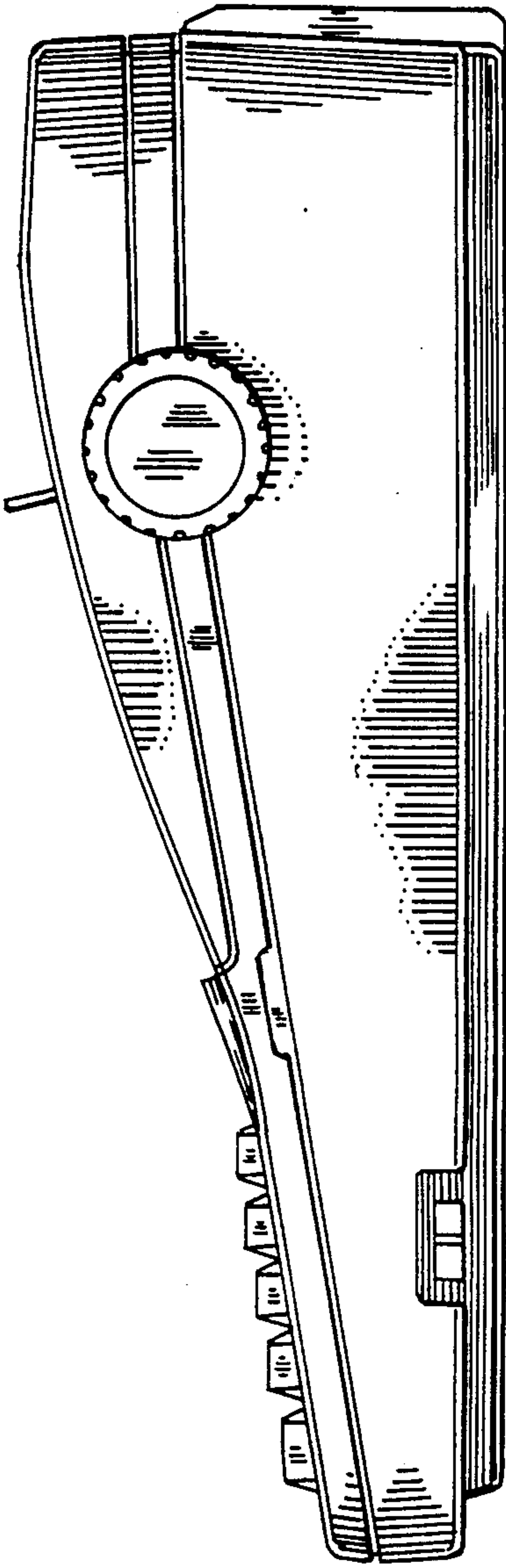


FIG. 7