



US00D332957S

# United States Patent [19]

[11] Patent Number: **Des. 332,957**

**Kling et al.**

[45] Date of Patent: **\*\* Feb. 2, 1993**

[54] LUBRICATION WORK STATION

4,880,144 11/1989 Shea ..... 222/173

[75] Inventors: **Gary W. Kling; Jerry D. Shew**, both of Charlotte, N.C.; **Theodore W. Beise**, Arlington Heights, Ill.

### OTHER PUBLICATIONS

Advertisement "Lincoln Model 4010 Lubrication Station" Form 440527, Copyright 1989.

[73] Assignee: **Stewart Warner Alemite Corporation**, Charlotte, N.C.

*Primary Examiner*—Alan P. Douglas  
*Assistant Examiner*—Antoine O. Davis  
*Attorney, Agent, or Firm*—Lorusso & Loud

[\*\*] Term: **14 Years**

[21] Appl. No.: **608,183**

### [57] CLAIM

The ornamental design for a lubrication work station, as shown and described.

[22] Filed: **Nov. 1, 1990**

[52] U.S. Cl. .... **D15/151**

[58] Field of Search ..... **D15/150, 151, 152; 211/70.6; 422/67; 222/173, 192, 608; 184/1.5; 15/339**

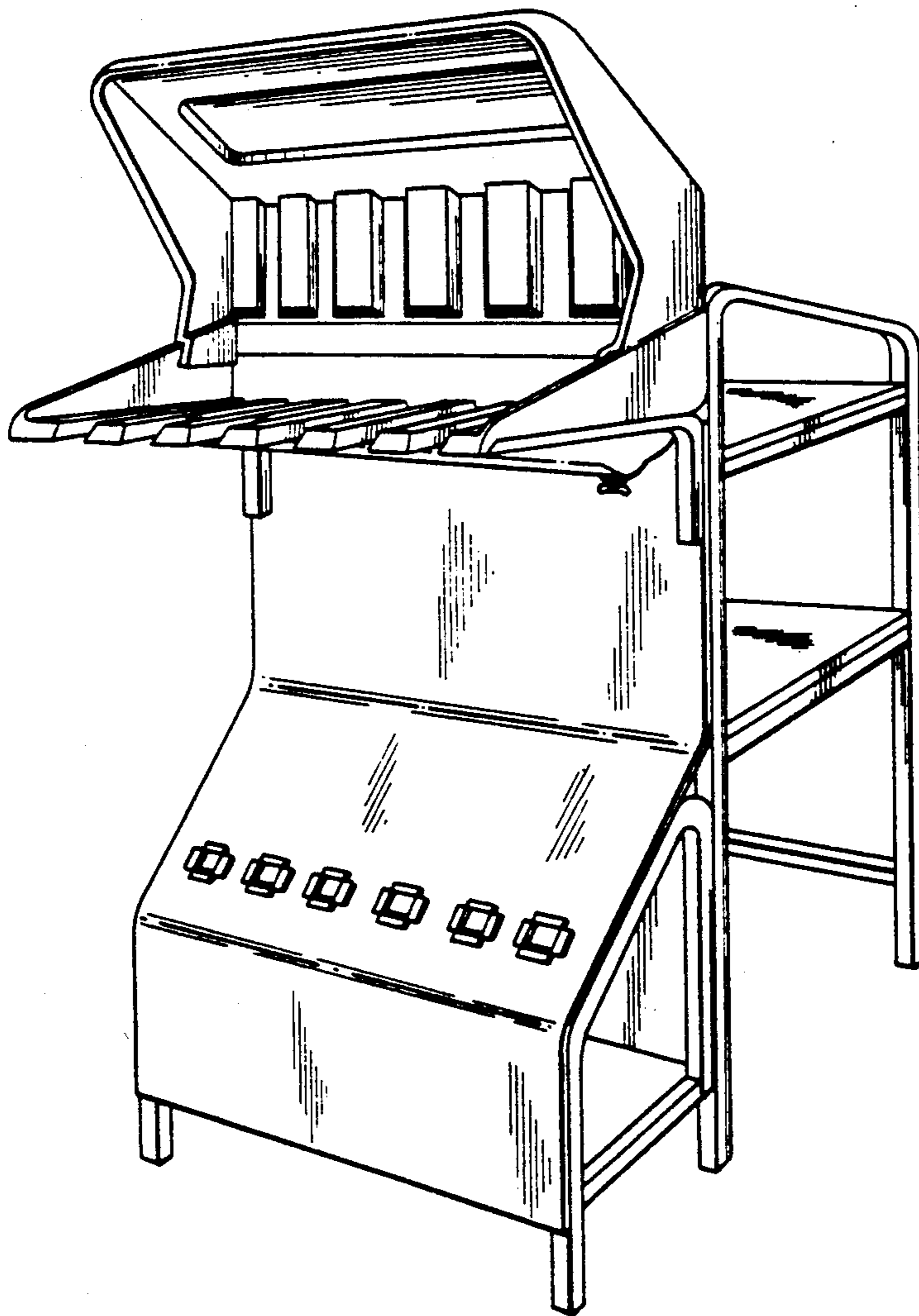
### DESCRIPTION

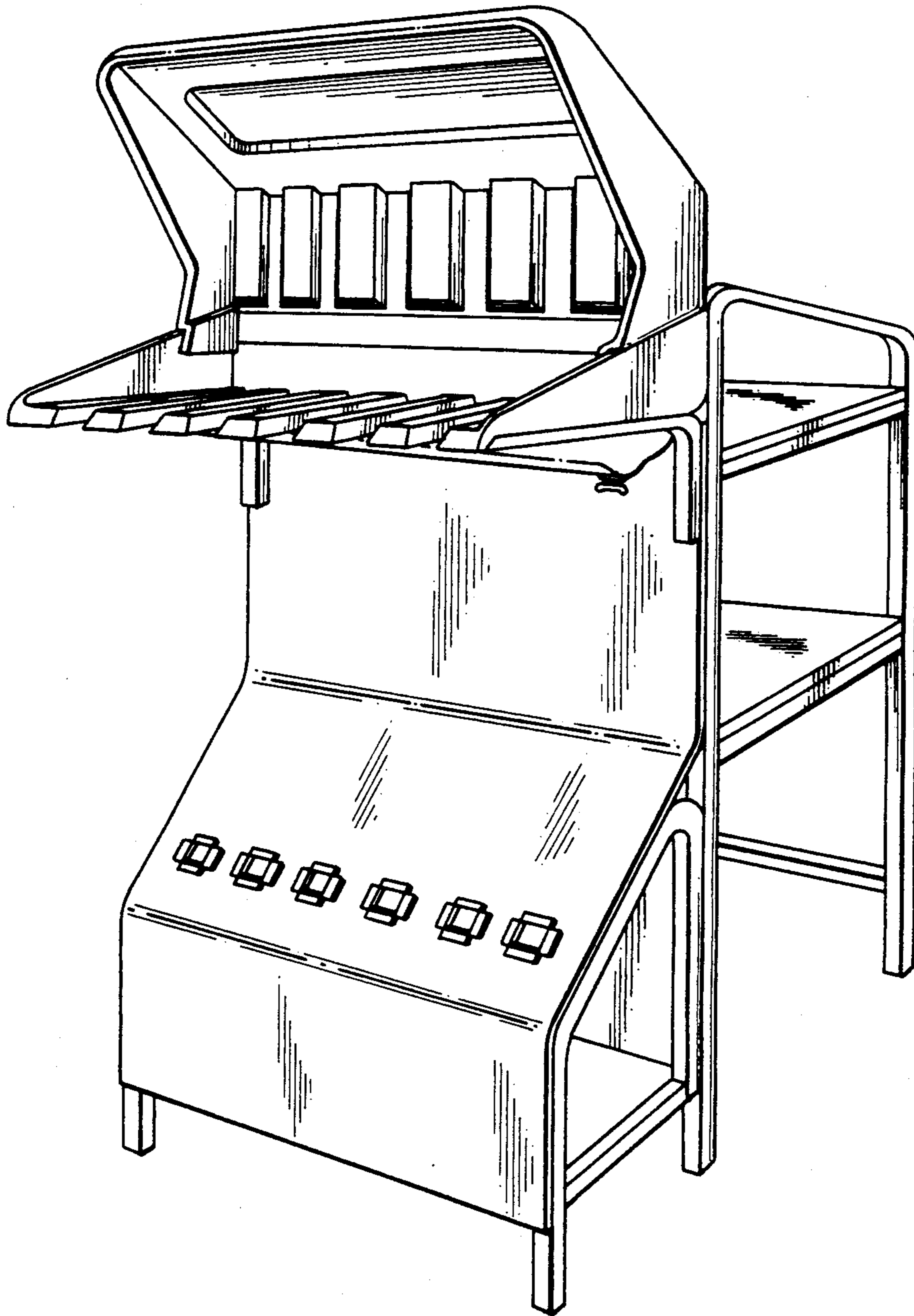
FIG. 1 is a top, front and right side perspective view of a lubrication work station showing our new design; FIG. 2 is a top, rear and left side perspective view; FIG. 3 is a front elevational view; FIG. 4 is a left side elevational view; FIG. 5 is a rear elevational view; and, FIG. 6 is a top plan view thereof.

### [56] References Cited

#### U.S. PATENT DOCUMENTS

D. 196,602 10/1963 Russell ..... D15/152  
4,194,262 3/1980 Finley et al. .... 15/339 X





**FIG. 1**

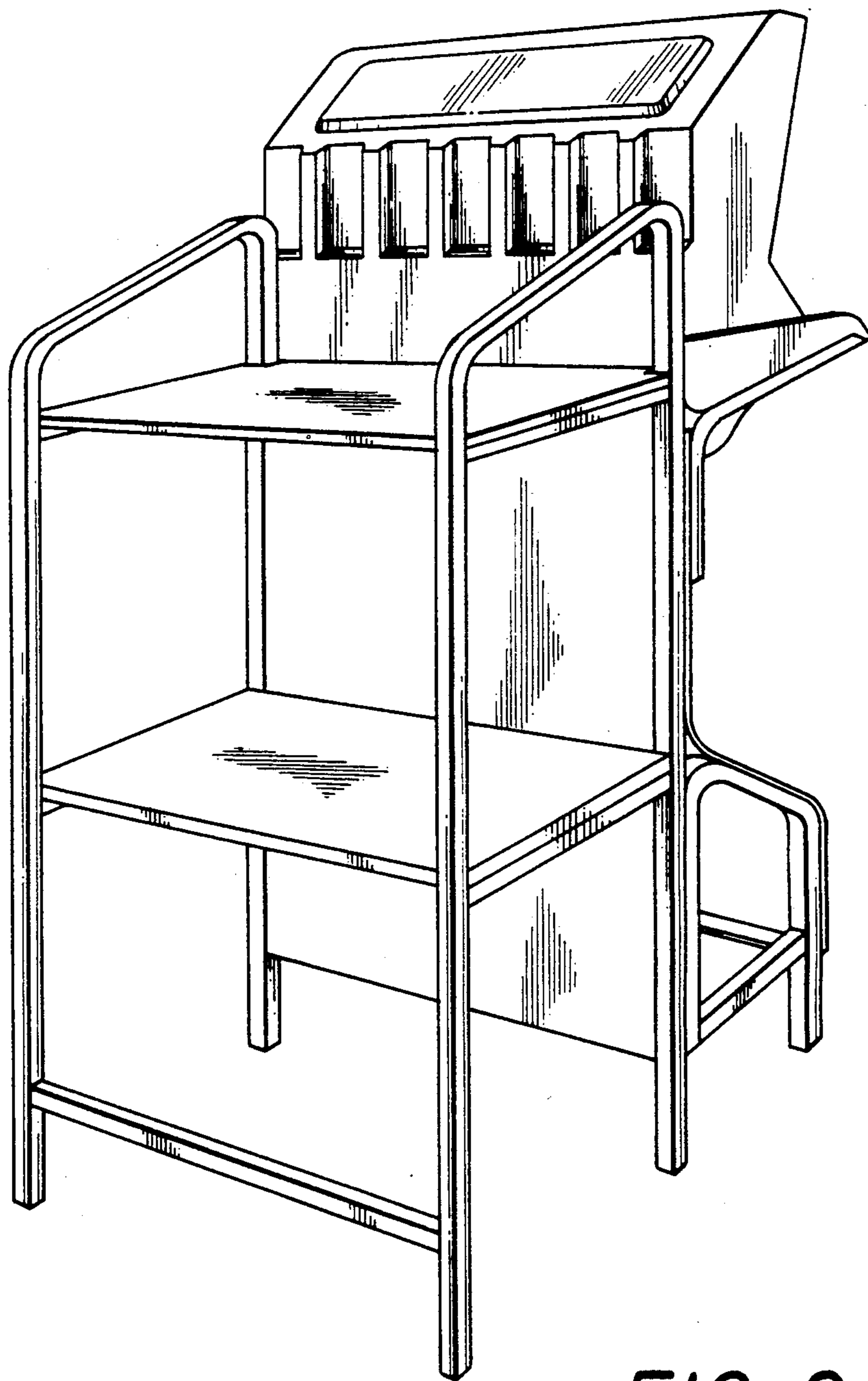


FIG. 2

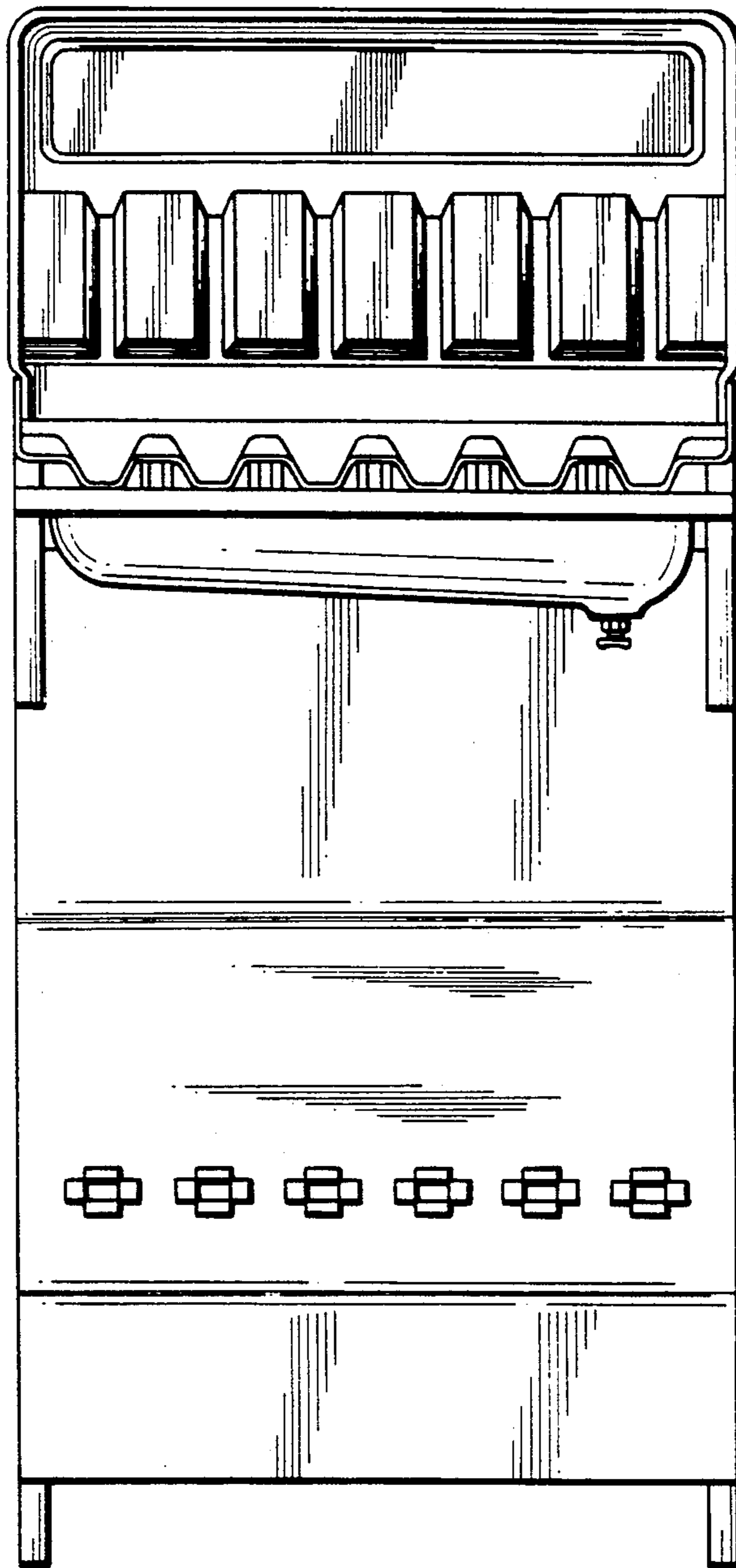


FIG. 3

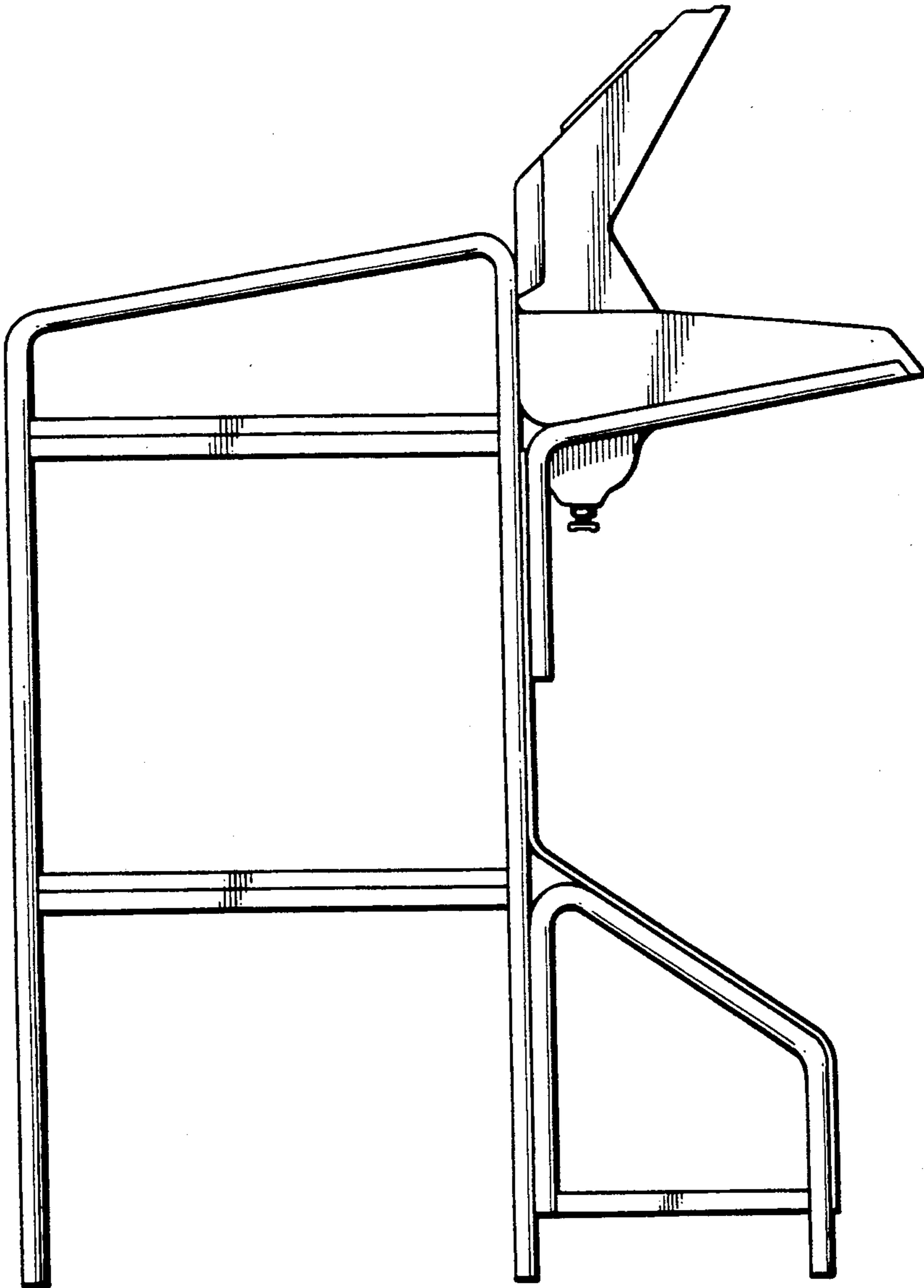
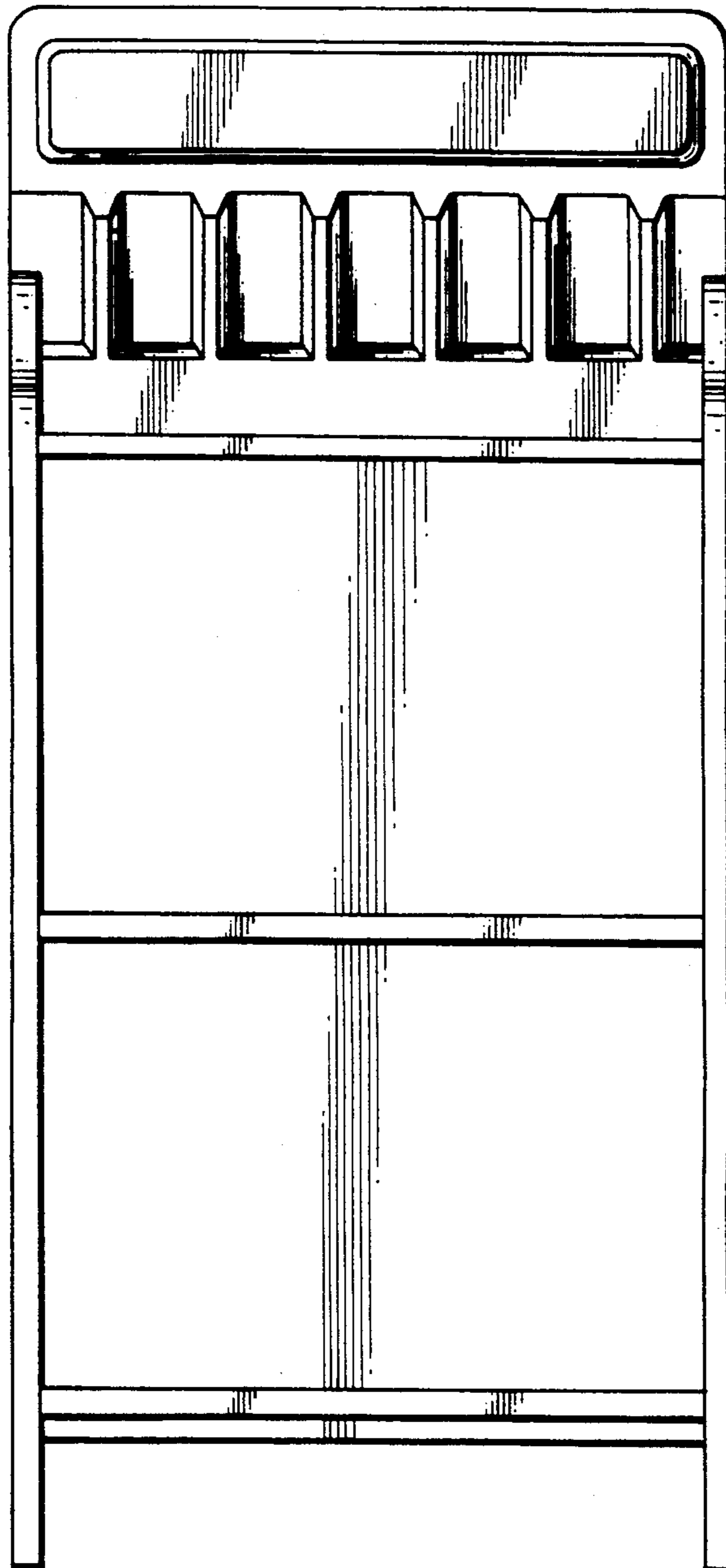


FIG. 4



*FIG. 5*



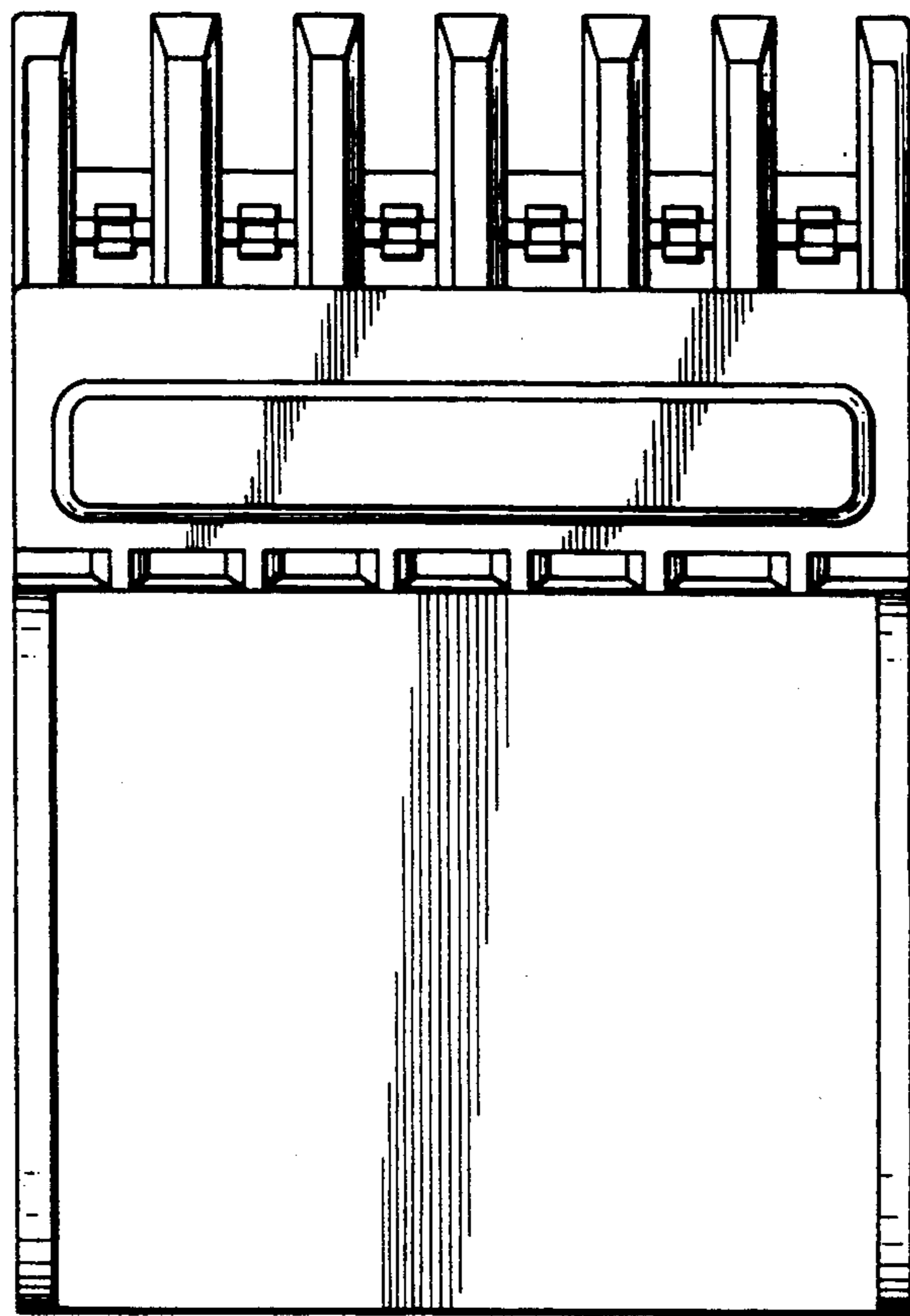


FIG. 6