



US00D332955S

United States Patent [19]
Hull

[11] **Patent Number: Des. 332,955**
[45] **Date of Patent: ** Feb. 2, 1993**

[54] **PIVOTAL CHUTE**

[76] **Inventor: Herman E. Hull, 7163 County Rd.
135, Kenton, Ohio 43326**

[**] **Term: 14 Years**

[21] **Appl. No.: 463,603**

[22] **Filed: Jan. 11, 1990**

[52] **U.S. Cl. D15/122; D15/199**

[58] **Field of Search D15/122, 199; 193/15,
193/16, 17, 18, 19, 20, 21, 35 MD, 35 S, 2 E, 7;
366/68**

[56] **References Cited**

U.S. PATENT DOCUMENTS

9,368	8/1880	Wood	193/7 X
D. 186,468	10/1959	Wahl	D15/122
D. 260,651	9/1981	Gibbons	D15/199
3,807,540	4/1974	Boulet	193/16 X
4,575,790	3/1986	Legille et al.	193/16 X
4,688,667	8/1987	Peterson	366/68 X

Primary Examiner—Donald P. Walsh
Assistant Examiner—Antoine D. Davis

Attorney, Agent, or Firm—Robert W. Becker & Associates

[57] **CLAIM**

The ornamental design for a pivotal chute, as shown and described.

DESCRIPTION

FIG. 1 is a perspective view of a pivotal chute showing my new design;
FIG. 2 is a right side elevational view;
FIG. 3 is a left side elevational view;
FIG. 4 is a front elevational view;
FIG. 5 is a rear elevational view;
FIG. 6 is a top plan view;
FIG. 7 is a bottom plan view;
FIG. 8 is a perspective view, shown in a condition of use;
FIG. 9 is a perspective view, shown in an alternate condition of use; and,
FIG. 10 is a perspective view thereof, shown in still another alternate condition of use.
FIGS. 1, 8-10 have all been drawn on an enlarged scale with respect to FIGS. 2-7.

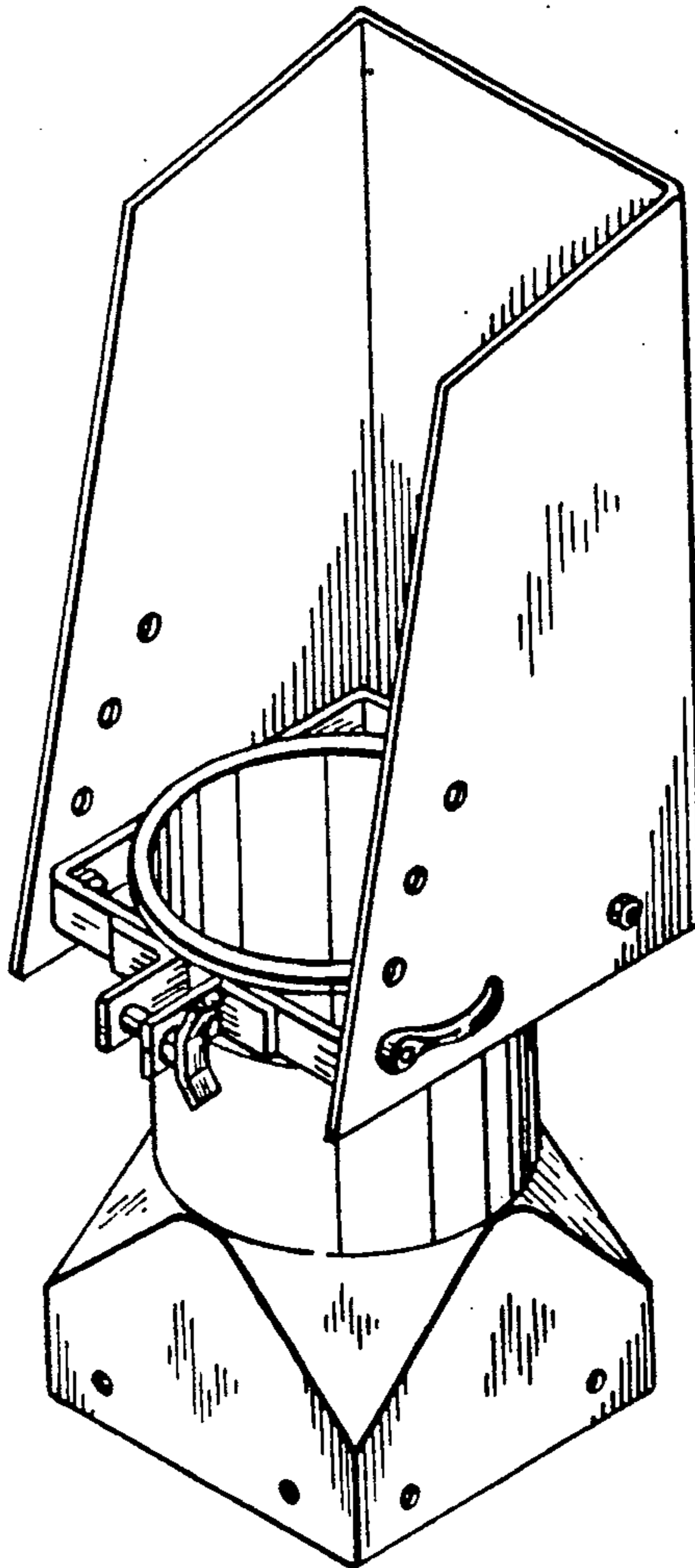


FIG-1

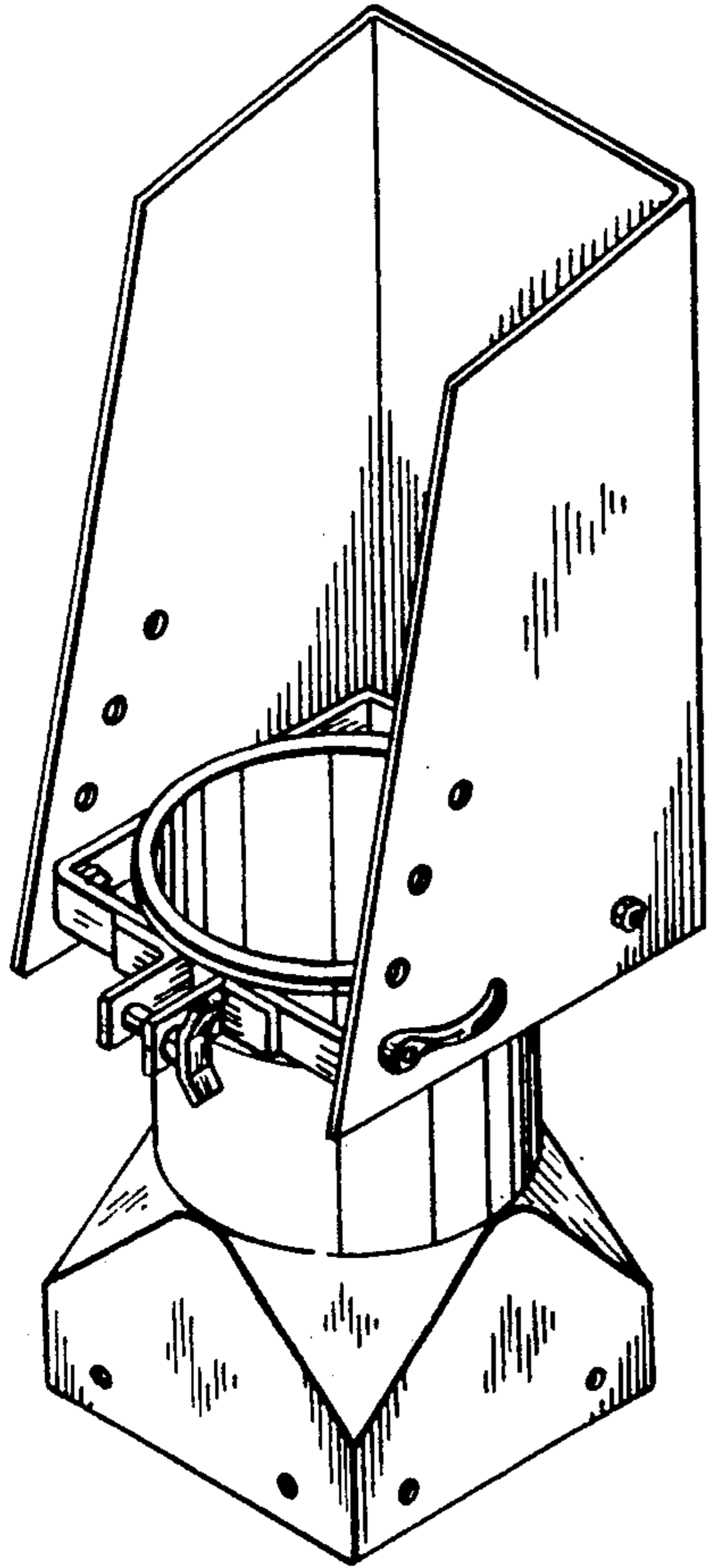


FIG-2

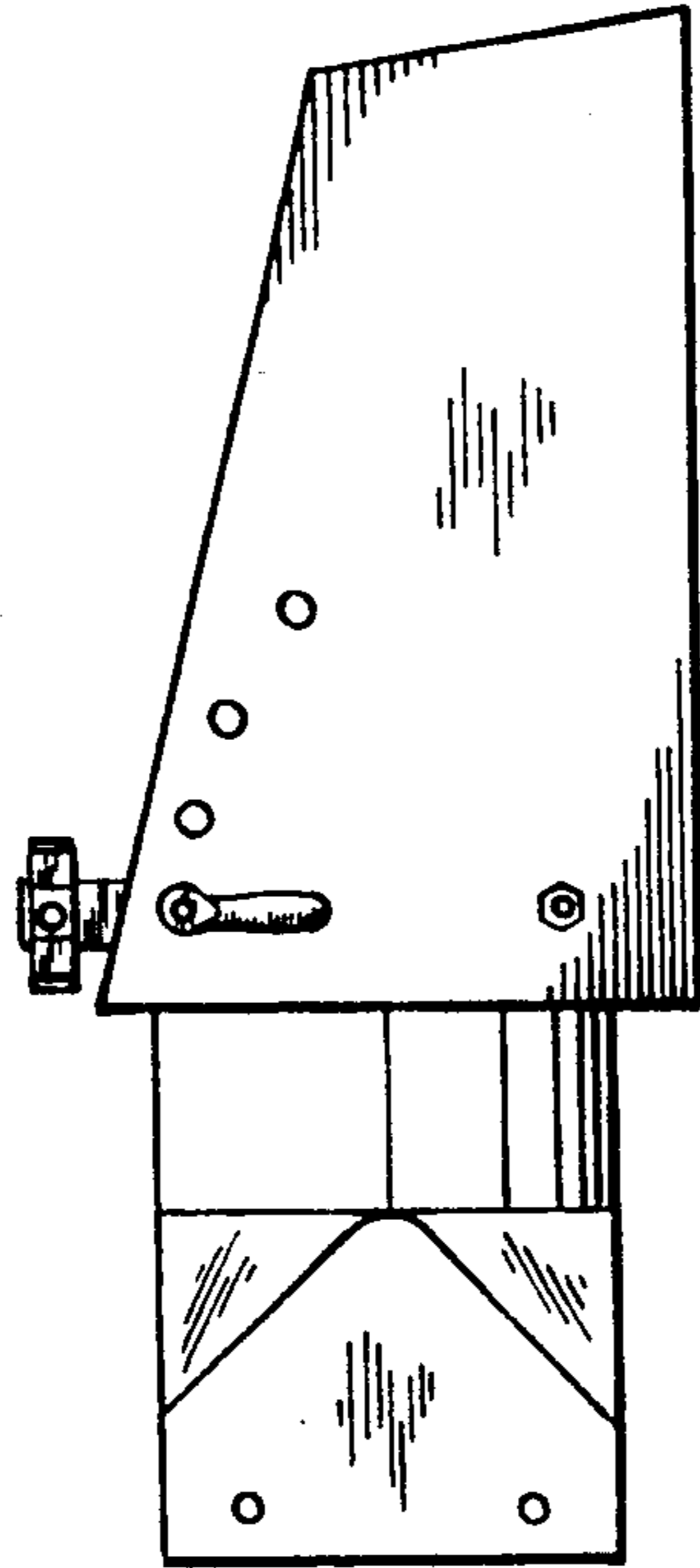


FIG-3

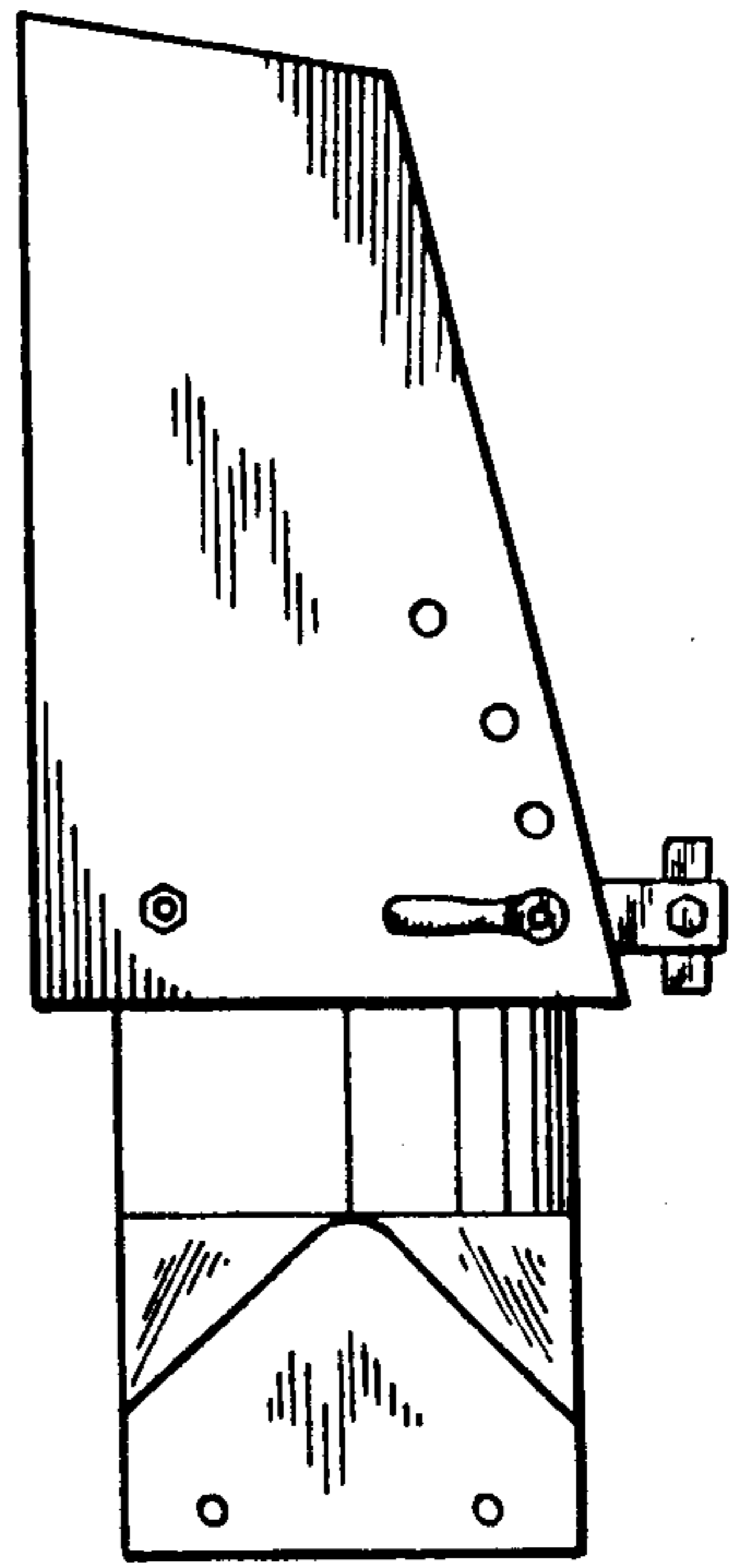


FIG-4

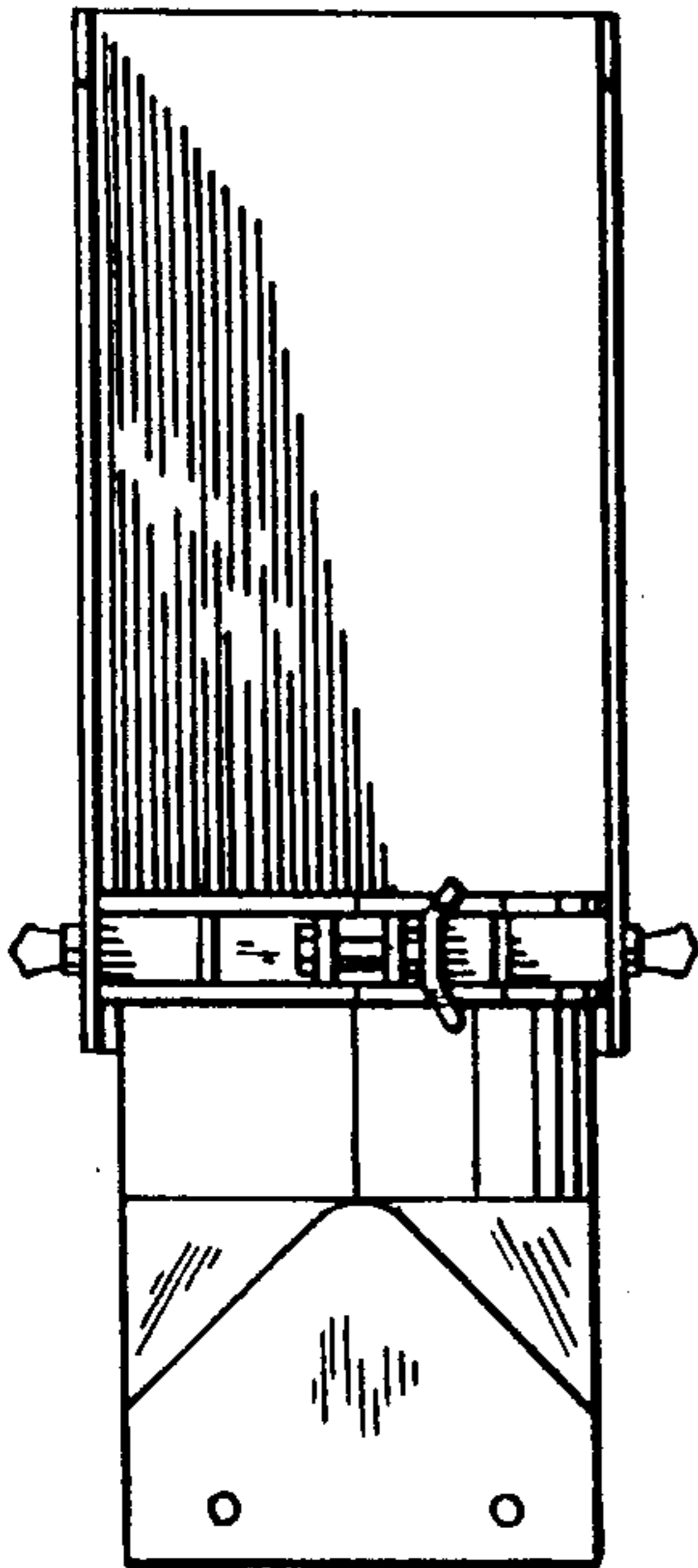


FIG-5

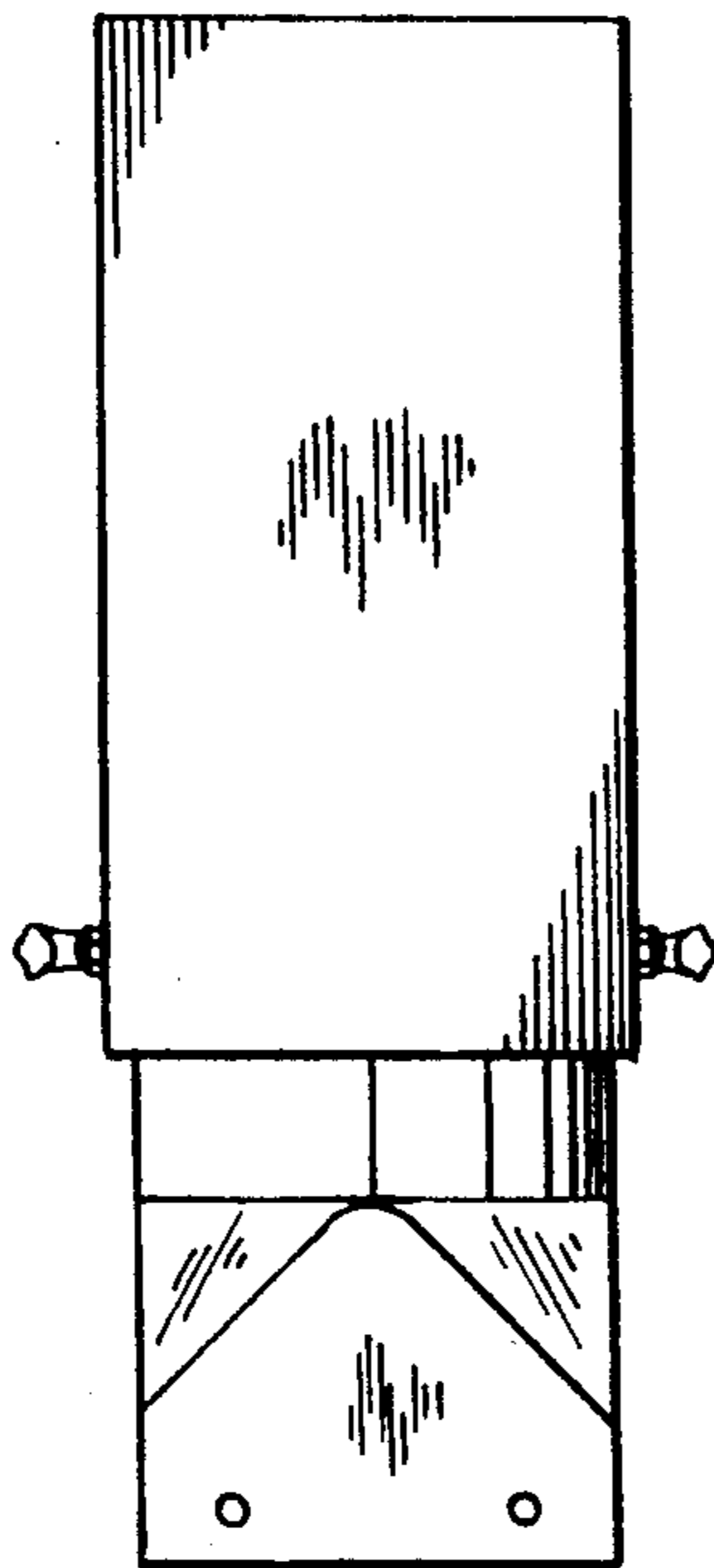


FIG-6

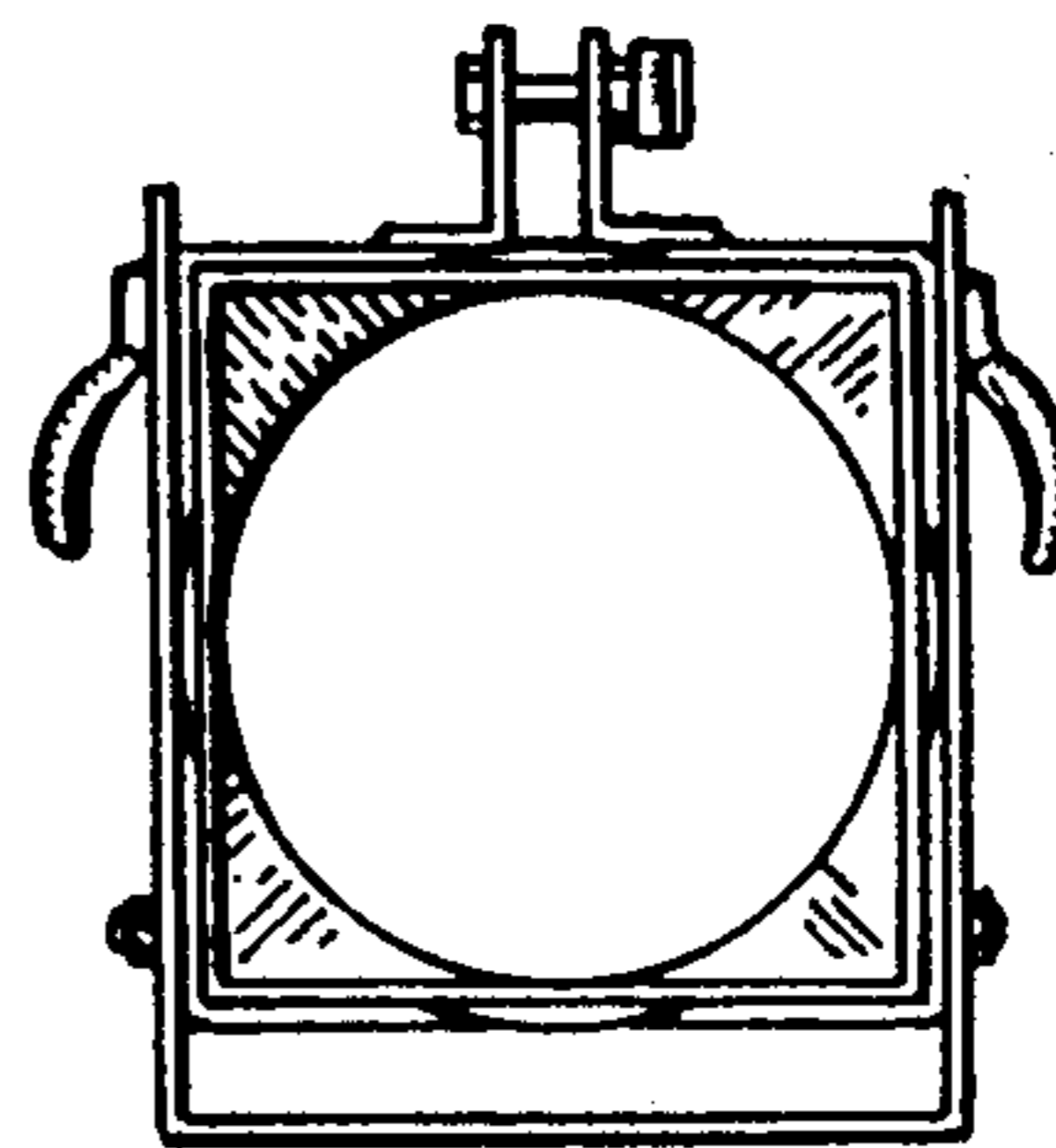
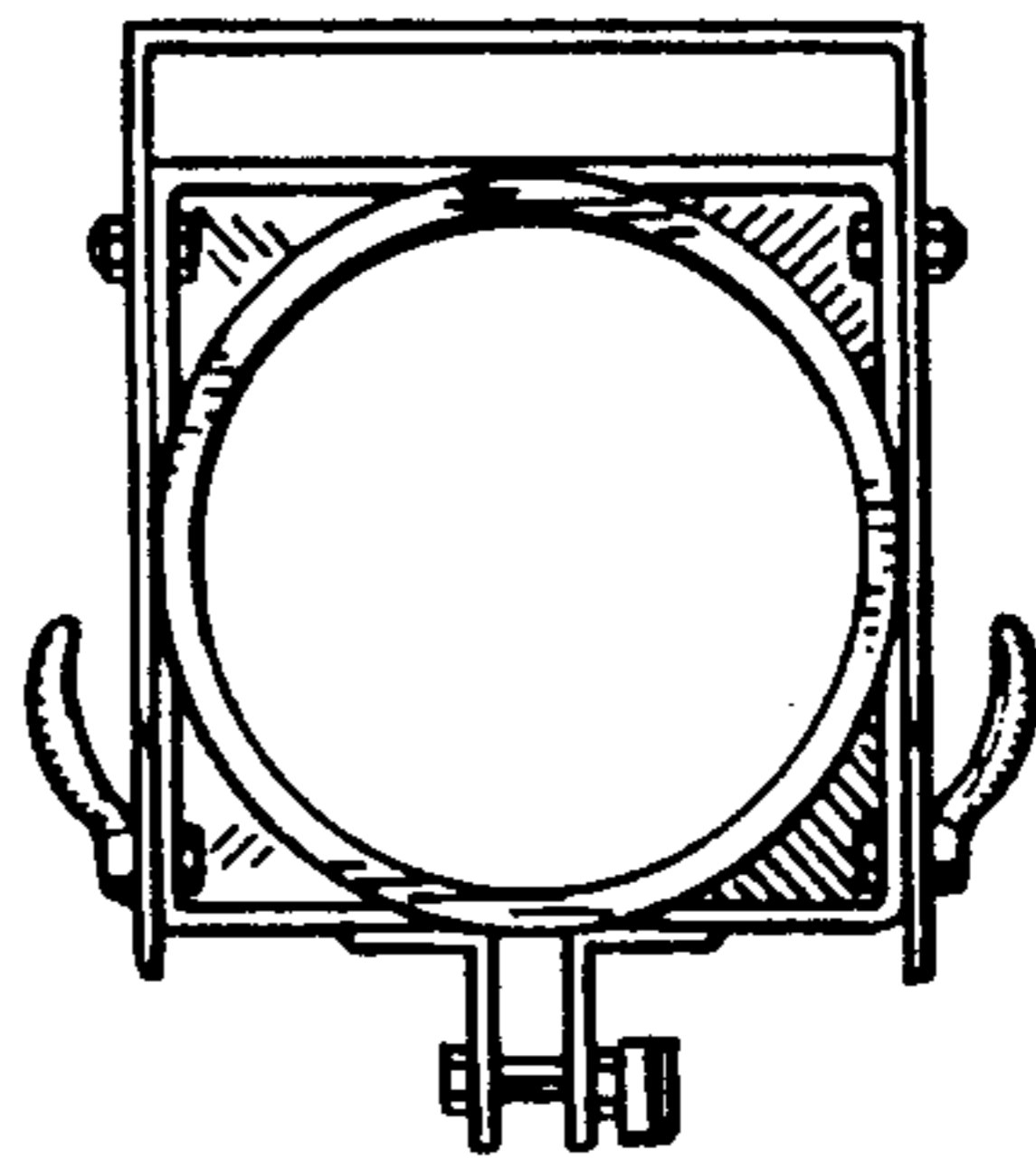


FIG-7

FIG-8

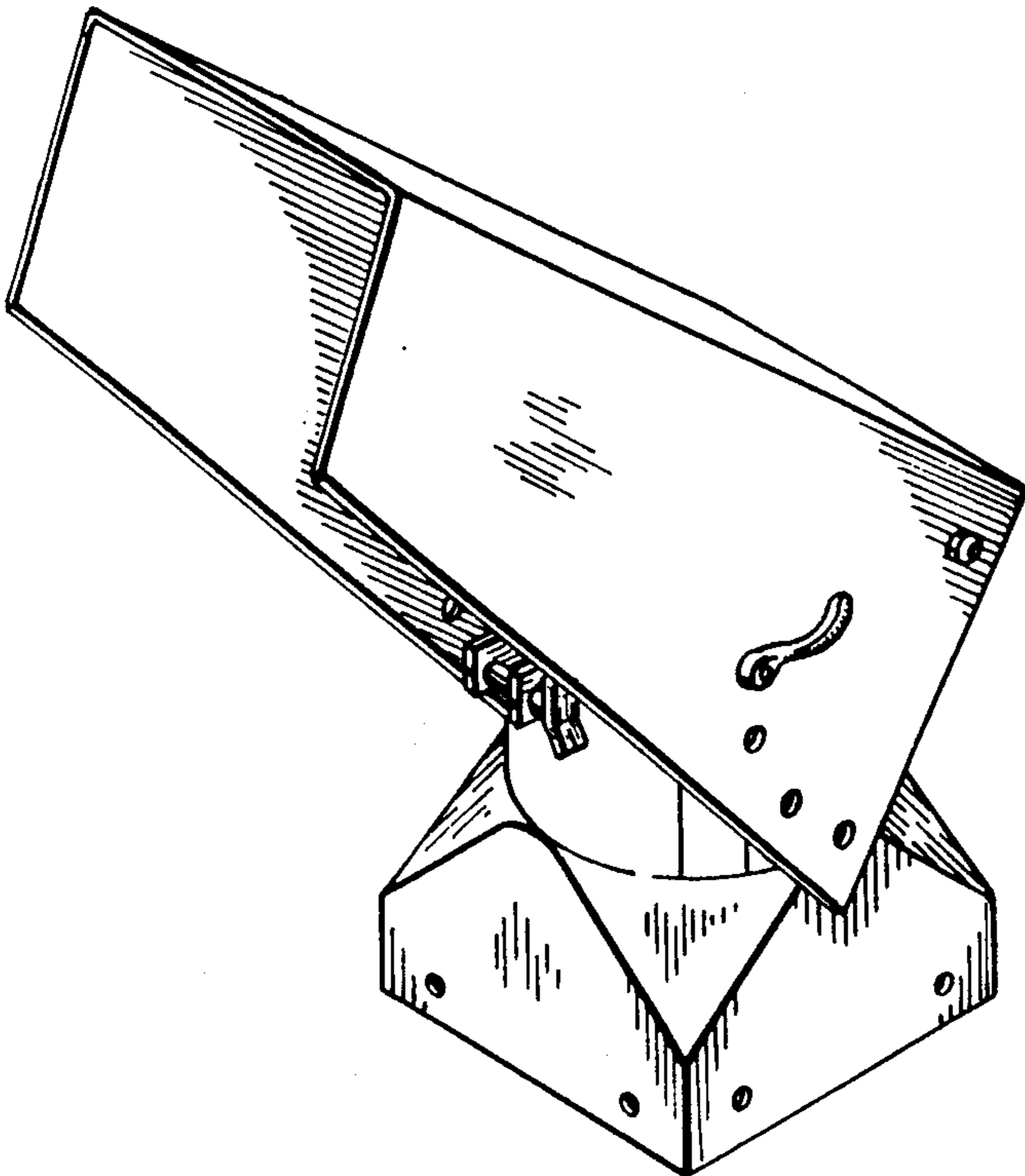


FIG-9

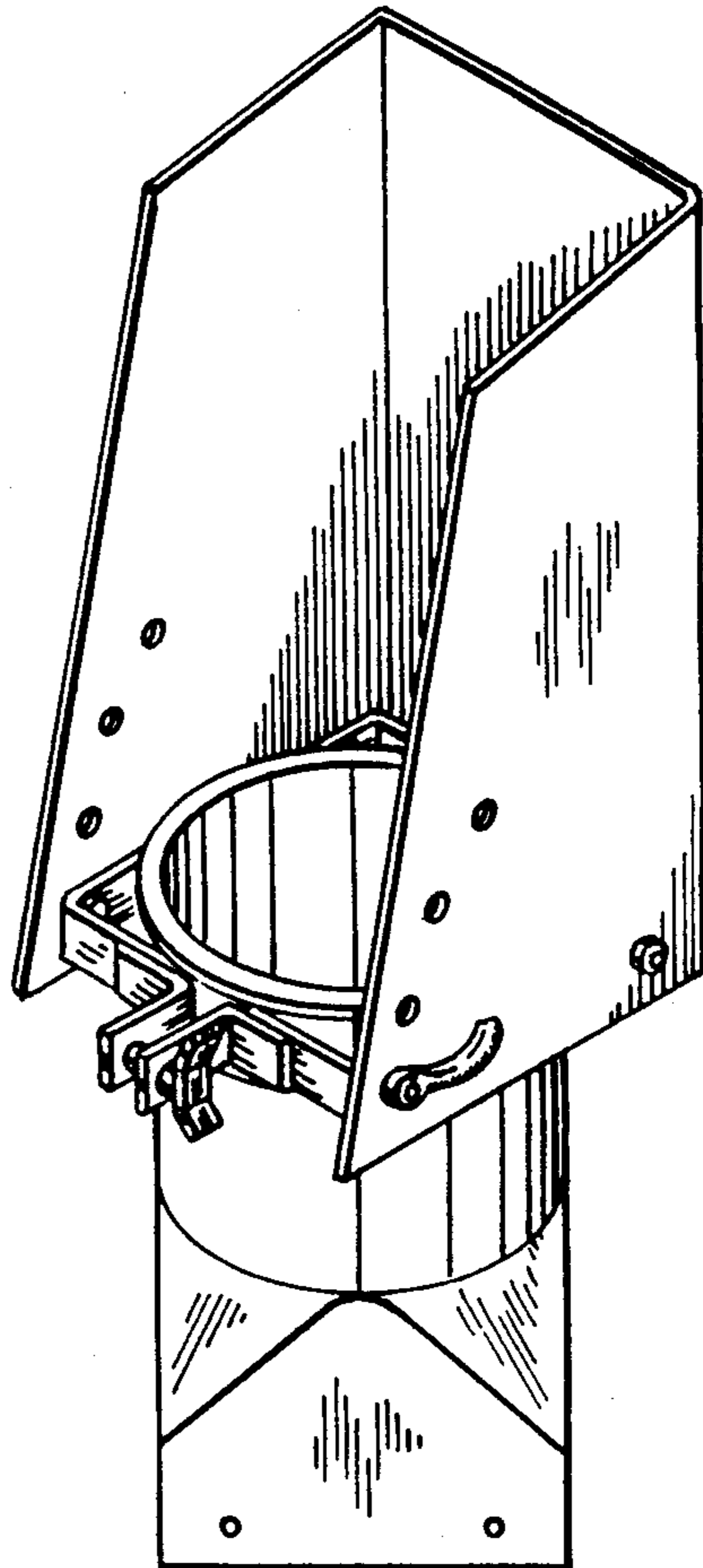


FIG-10

