



US00D332953S

United States Patent [19]

[11] Patent Number: **Des. 332,953**

Sturtzer

[45] Date of Patent: **** Feb. 2, 1993**

[54] PRINTER

[75] Inventor: **Christian Sturtzer, Axena, France**

[73] Assignee: **Sinfa, Herblay, France**

[**] Term: **14 Years**

[21] Appl. No.: **613,258**

[22] Filed: **Nov. 15, 1990**

[30] Foreign Application Priority Data

May 16, 1990 [FR] France 903150

[52] U.S. Cl. **D18/54**

[58] Field of Search D18/50, 54, 55, 36,
D18/37; 400/691-694, 613, 613.1-613.4, 624

[56] References Cited

U.S. PATENT DOCUMENTS

D. 280,724	9/1985	Hashimoto	D18/54
D. 286,153	10/1986	Davis	D18/55
D. 297,937	10/1988	Shiozawa et al.	D18/54
D. 314,208	1/1991	Hidaka et al.	D18/54
D. 321,531	11/1991	Takeda et al.	D18/54

OTHER PUBLICATIONS

Canon Color Printer A-1210 brochure cover photograph; Mar. 1983.

Byte Magazine; JAS Electronic Corporation advertisement for Color Printer (photo bottom pg.); Apr.-1984; p. 180.

Primary Examiner—A. Hugo Word

Assistant Examiner—Cathy Anne MacCormac

Attorney, Agent, or Firm—Young & Thompson

[57] CLAIM

The ornamental design for a printer, as shown and described.

DESCRIPTION

FIG. 1 is a front elevational view of a printer showing my new design;

FIG. 2 is a rear elevational view thereof;

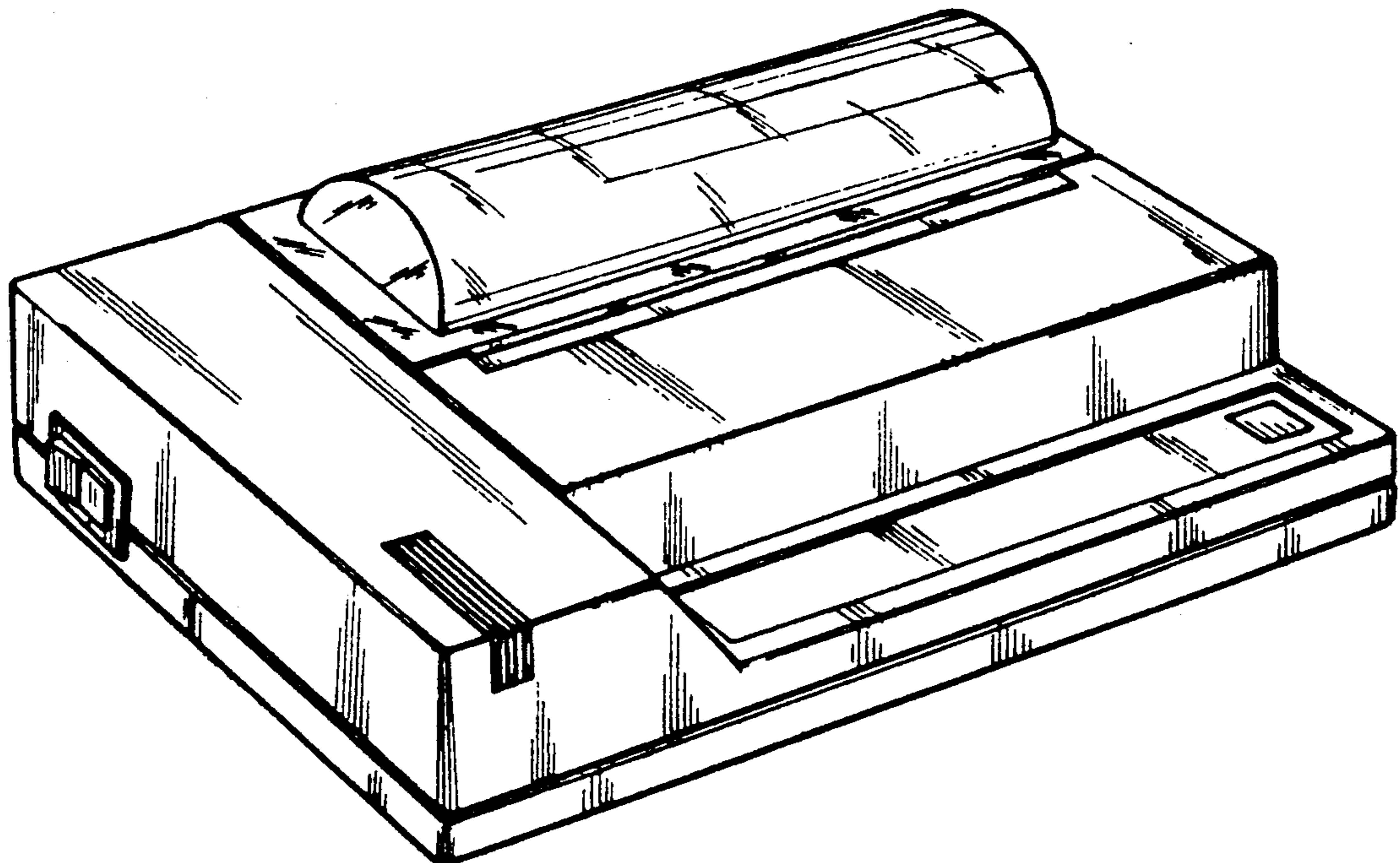
FIG. 3 is a left side elevational view thereof;

FIG. 4 is a right side elevational view thereof;

FIG. 5 is a top plan view thereof;

FIG. 6 is a bottom plan view thereof; and,

FIG. 7 is a front perspective view thereof.



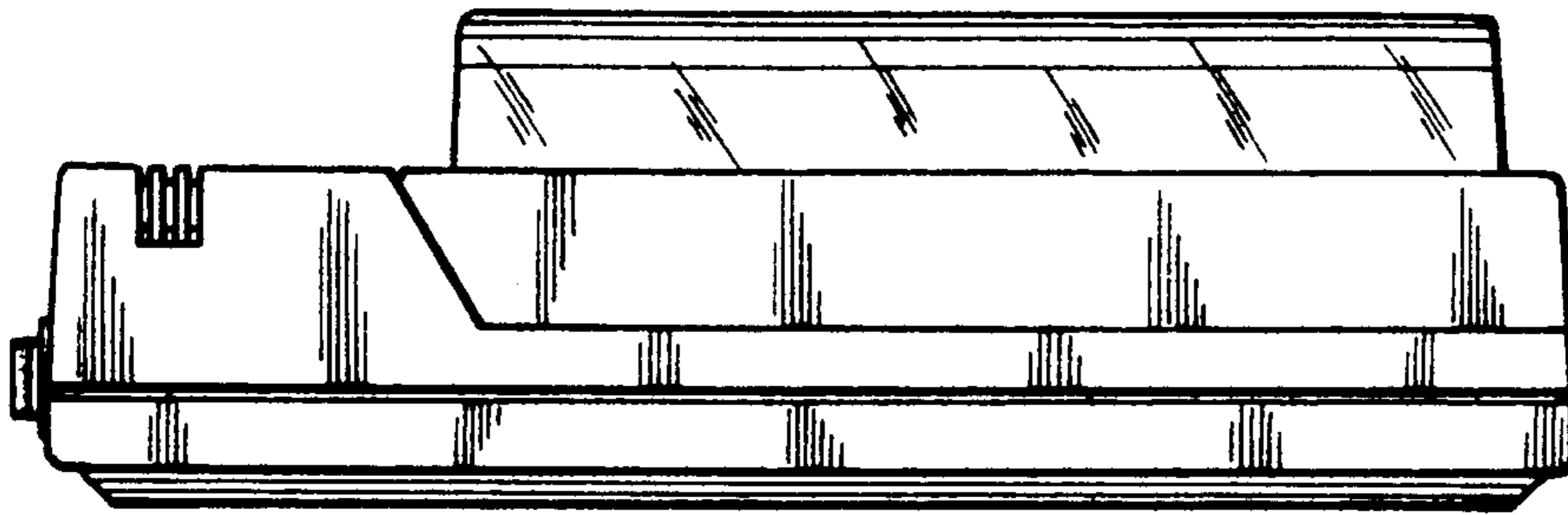


FIG. 1

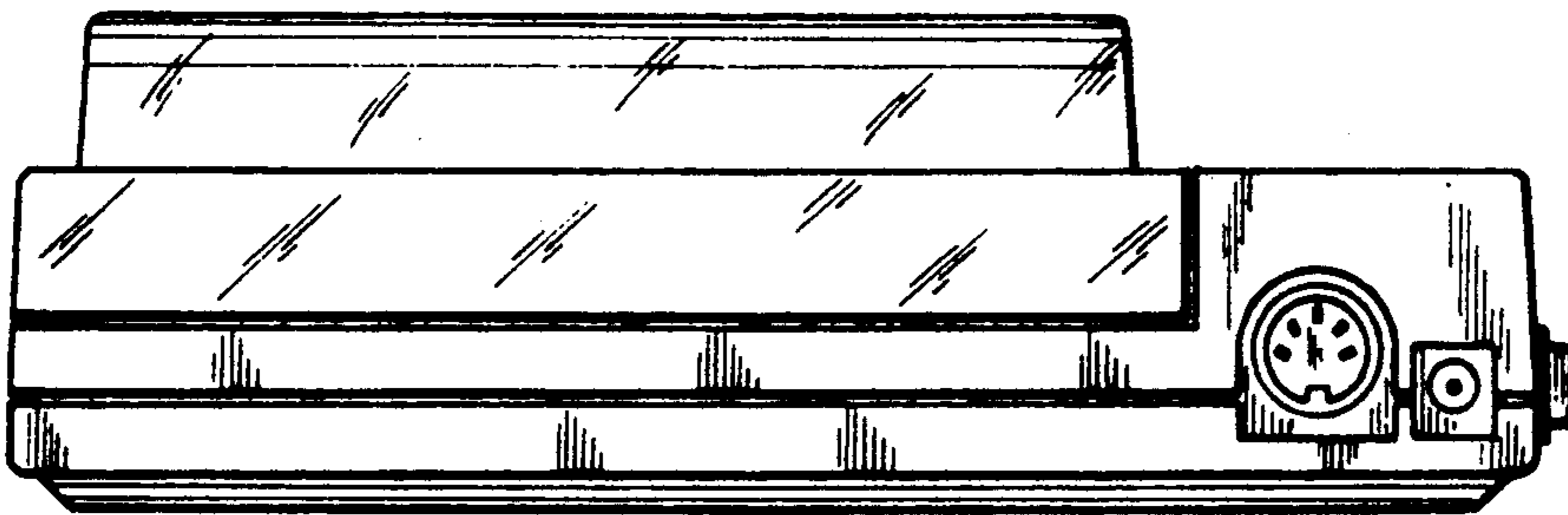


FIG. 2

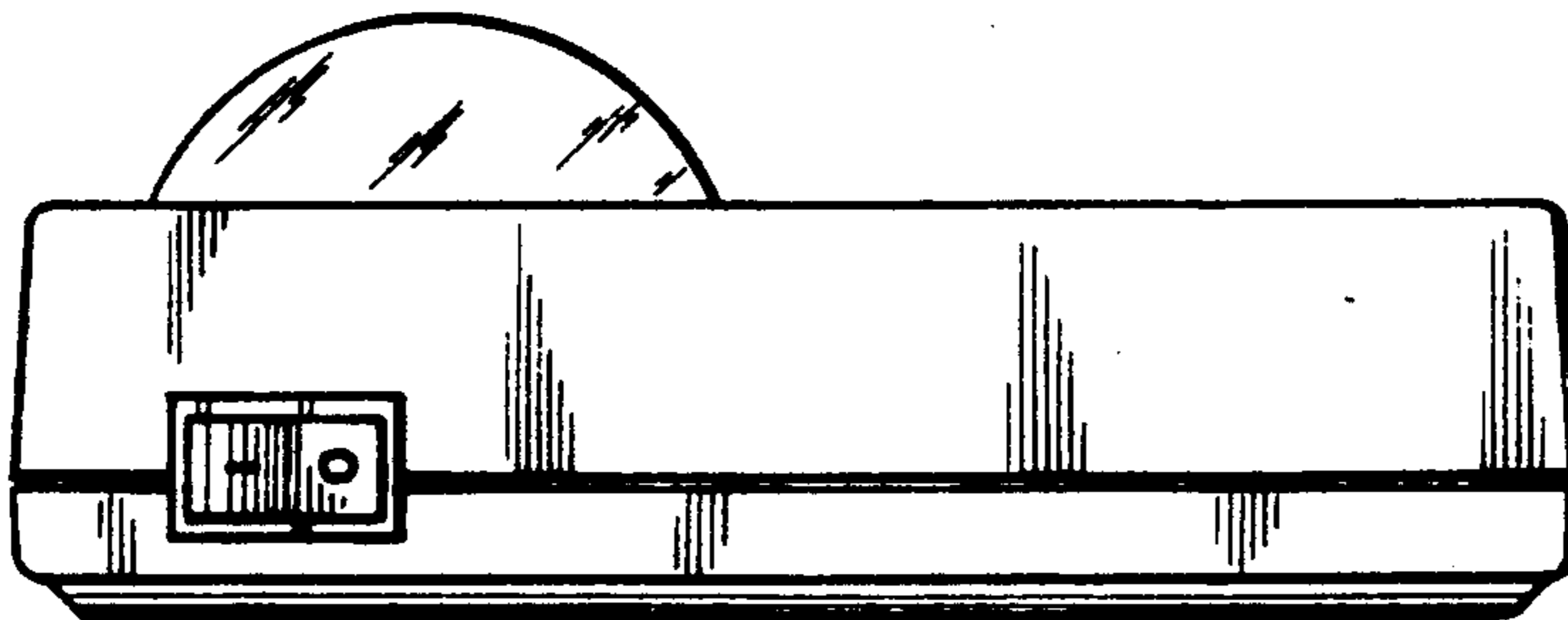


FIG. 3

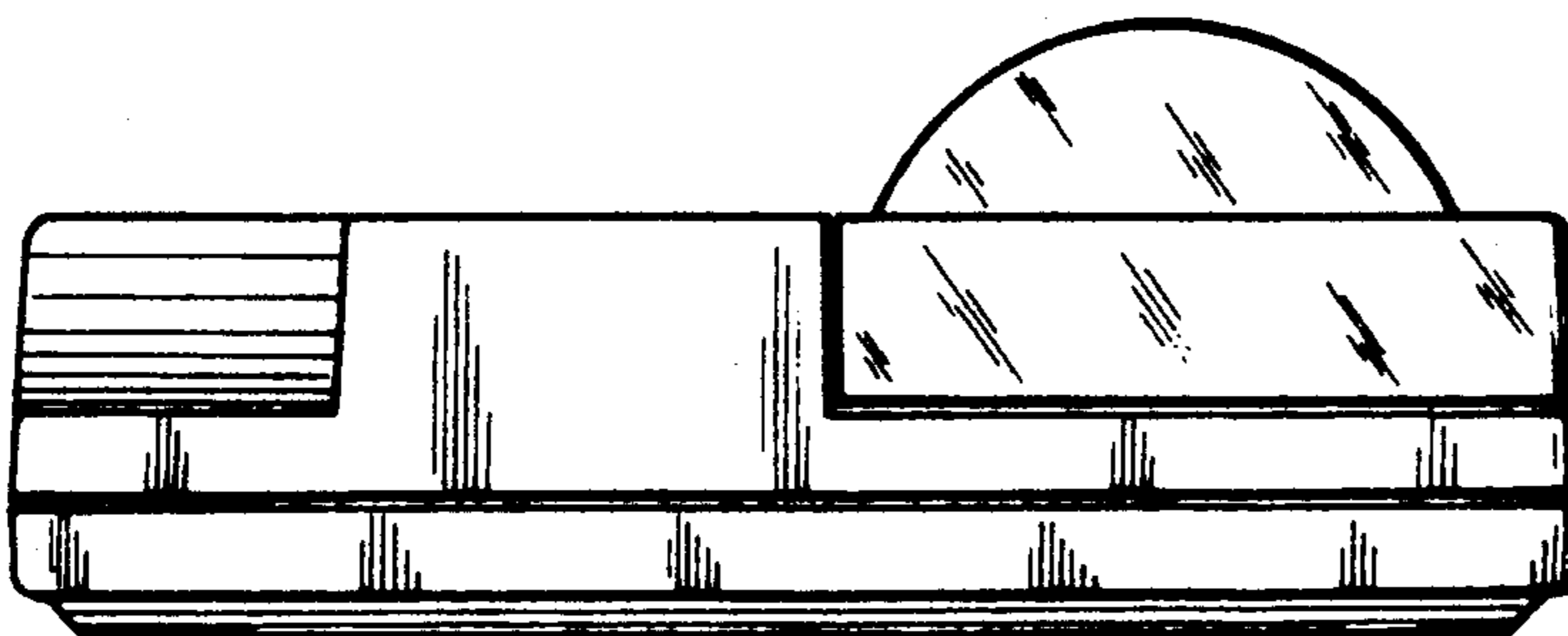


FIG. 4

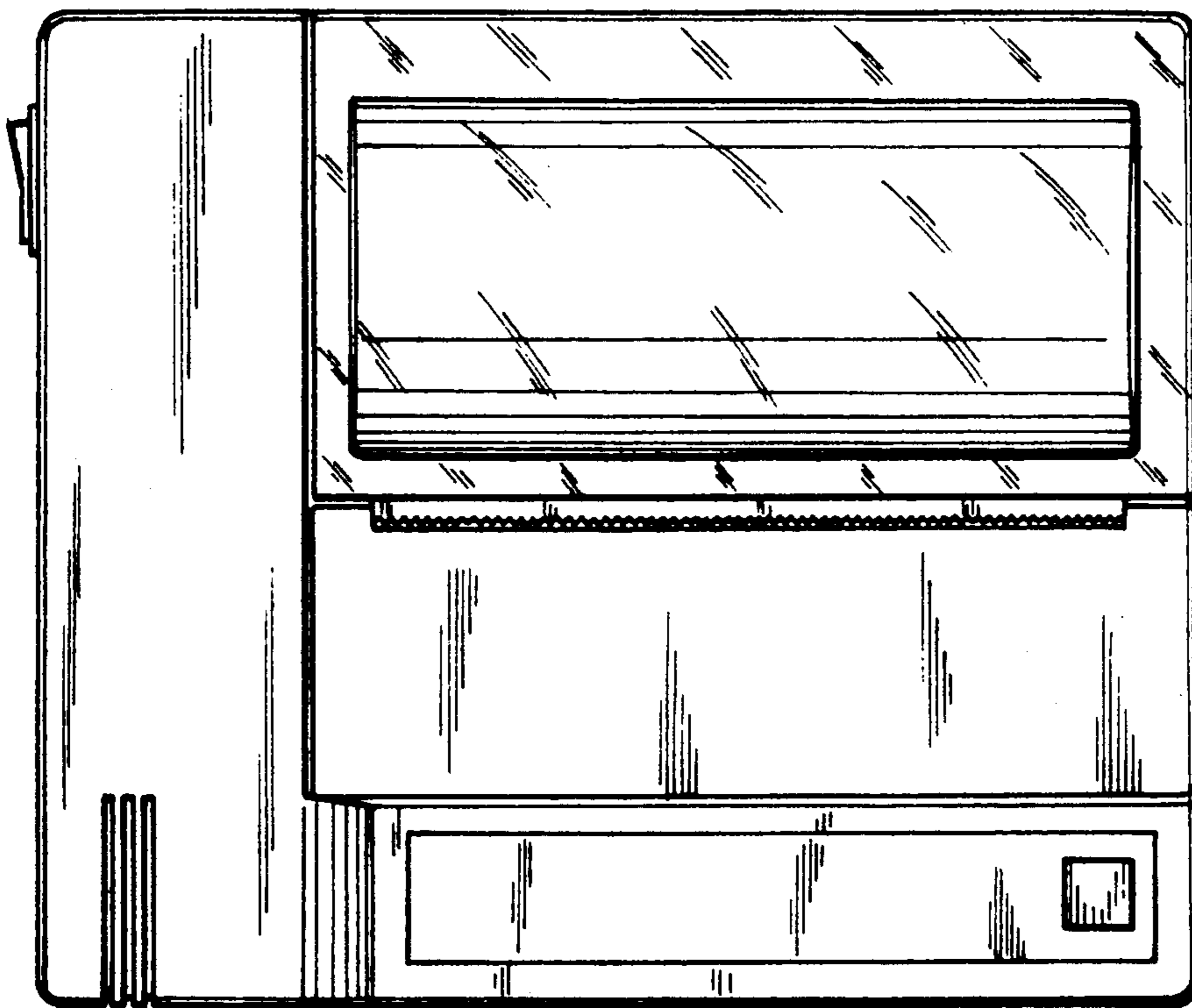


FIG. 5

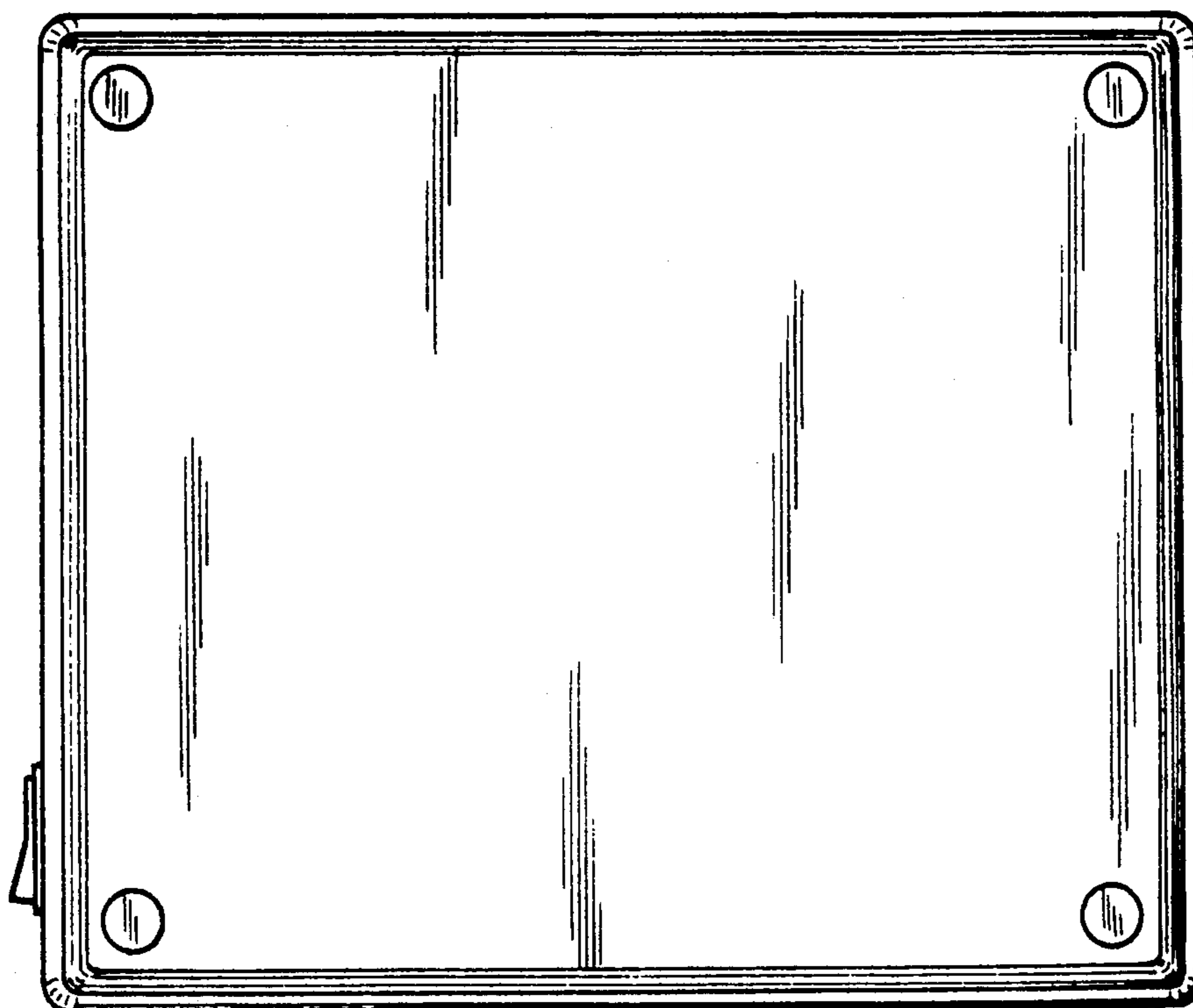


FIG. 6

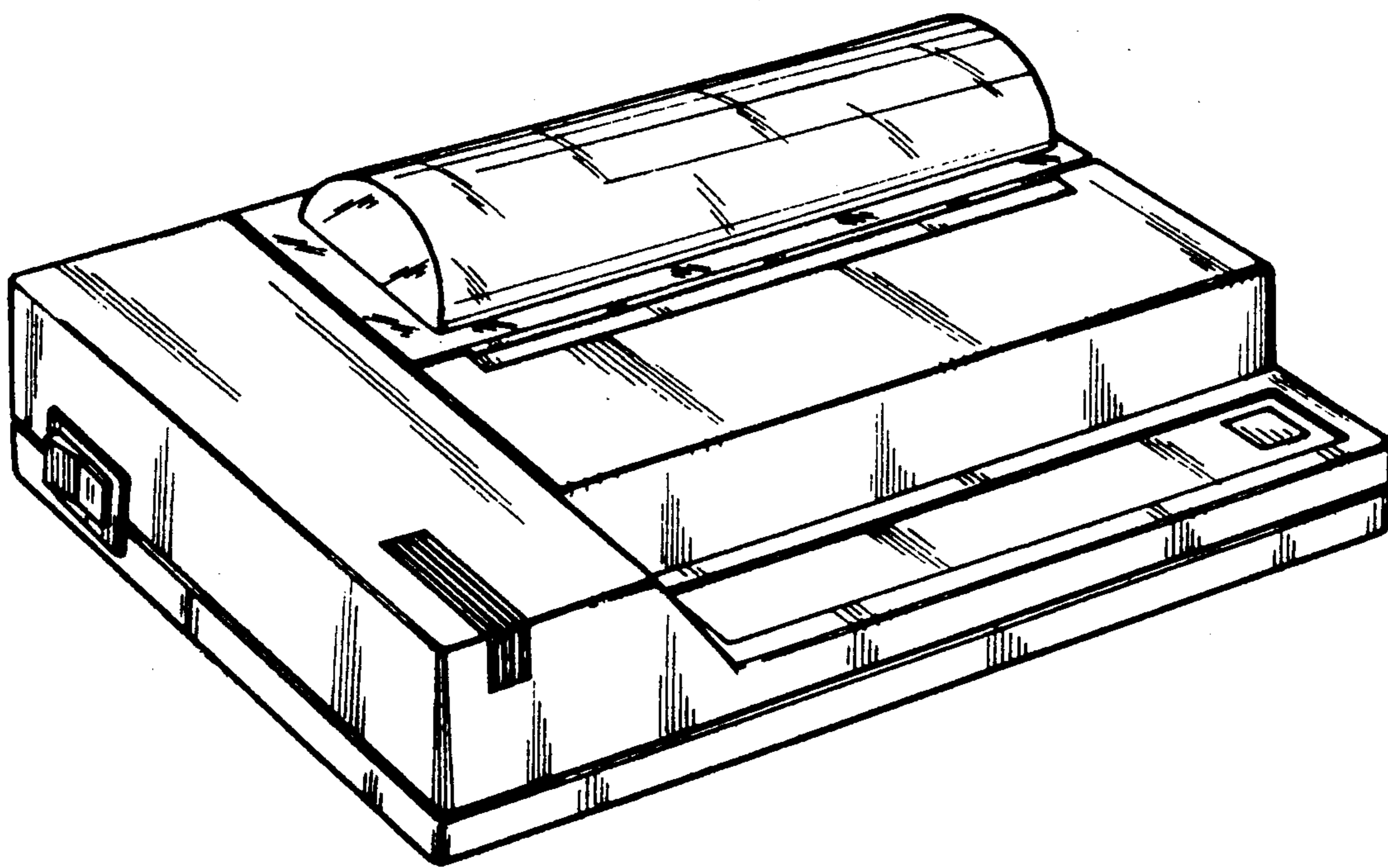


FIG. 7