



US00D332952S

United States Patent [19]

[11] Patent Number: **Des. 332,952**

Hoke

[45] Date of Patent: **** Feb. 2, 1993**

[54] **MACHINE FOR BUNDLING TIRES**

[76] Inventor: **Ricky J. Hoke, Box 324A Humaston Rd., Rome, N.Y. 13440**

[**] Term: **14 Years**

[21] Appl. No.: **524,832**

[22] Filed: **May 18, 1990**

[52] U.S. Cl. **D15/9**

[58] Field of Search **D15/1-9; 100/12, 14, 25, 99, 102, 238; 101/228**

[56] **References Cited**

U.S. PATENT DOCUMENTS

1,507,376	9/1924	Hintz	100/12
2,883,925	4/1959	Pritchard et al.	100/12
3,212,429	10/1965	Fay et al.	100/12
4,024,805	5/1977	Glasson	100/12
4,222,323	9/1980	Martindale	100/102

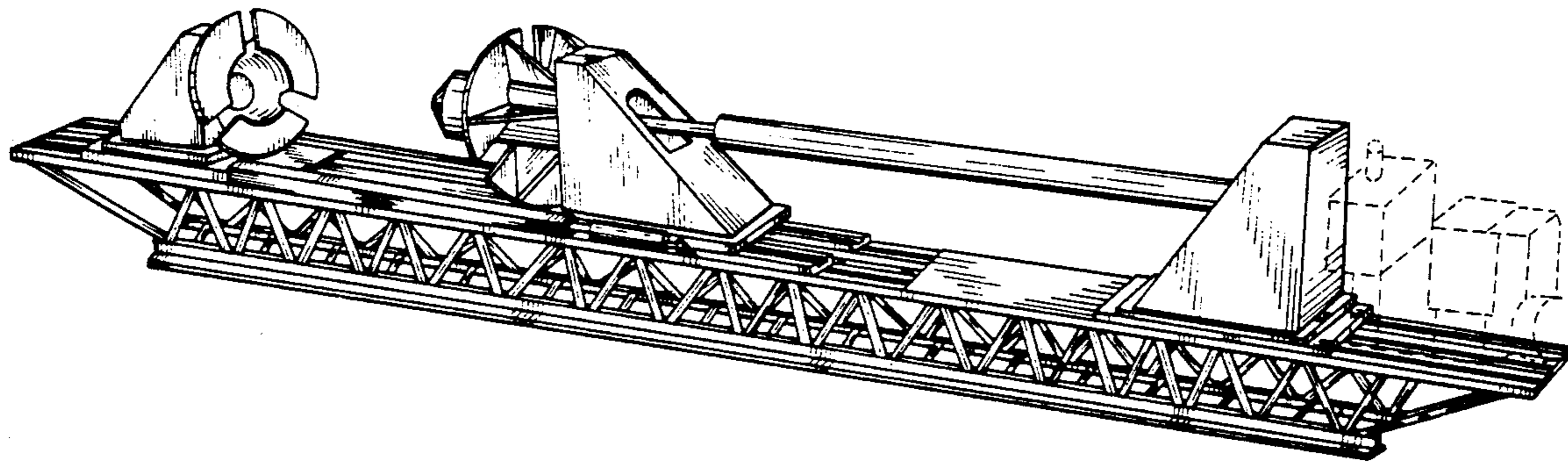
Primary Examiner—A. Hugo Word
Assistant Examiner—R. Seifert
Attorney, Agent, or Firm—Richard C. Litman

[57] **CLAIM**

The ornamental design for a machine for bundling tires, as shown and described.

DESCRIPTION

FIG. 1 is a left side perspective view of a machine for bundling tires showing my new design, the broken line showing of a power source is for illustrative purposes only and forms no part of the claimed design; FIG. 2 is a left side elevational view thereof; FIG. 3 is a left rear perspective view thereof; FIG. 4 is a rear elevational view thereof; FIG. 5 is a front elevational view thereof; FIG. 6 is a bottom plan view thereof; and, FIG. 7 is a top plan view thereof.



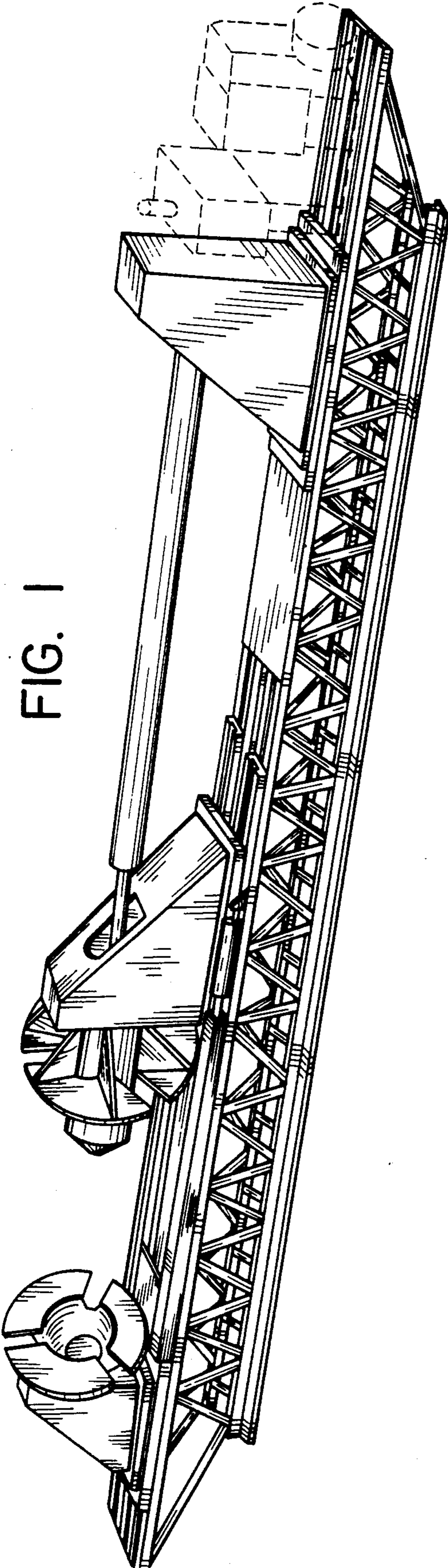
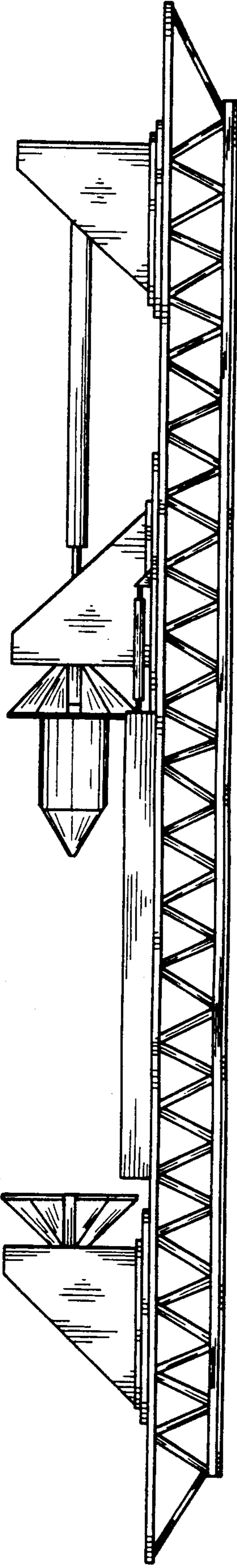


FIG. 2



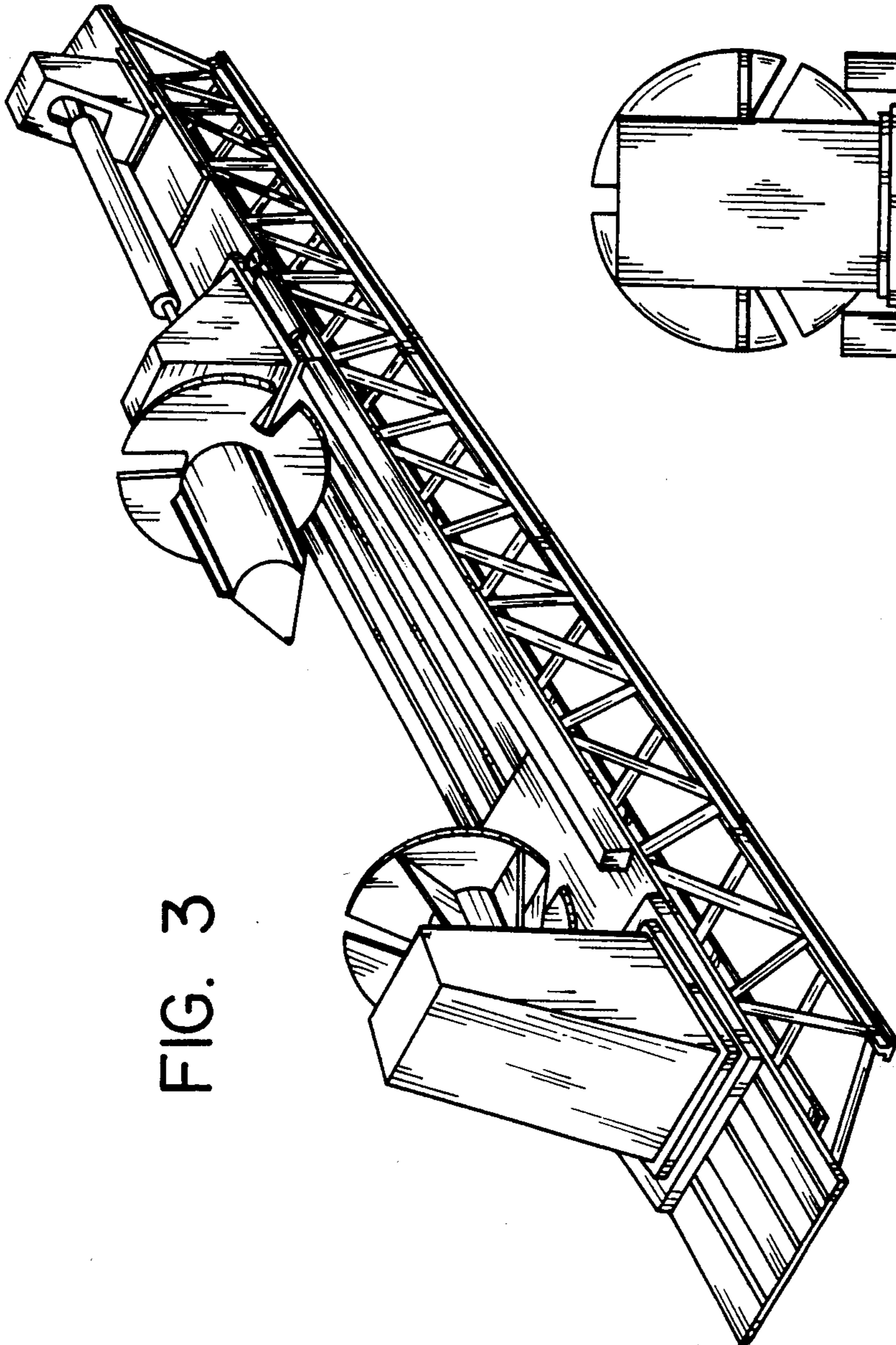


FIG. 3

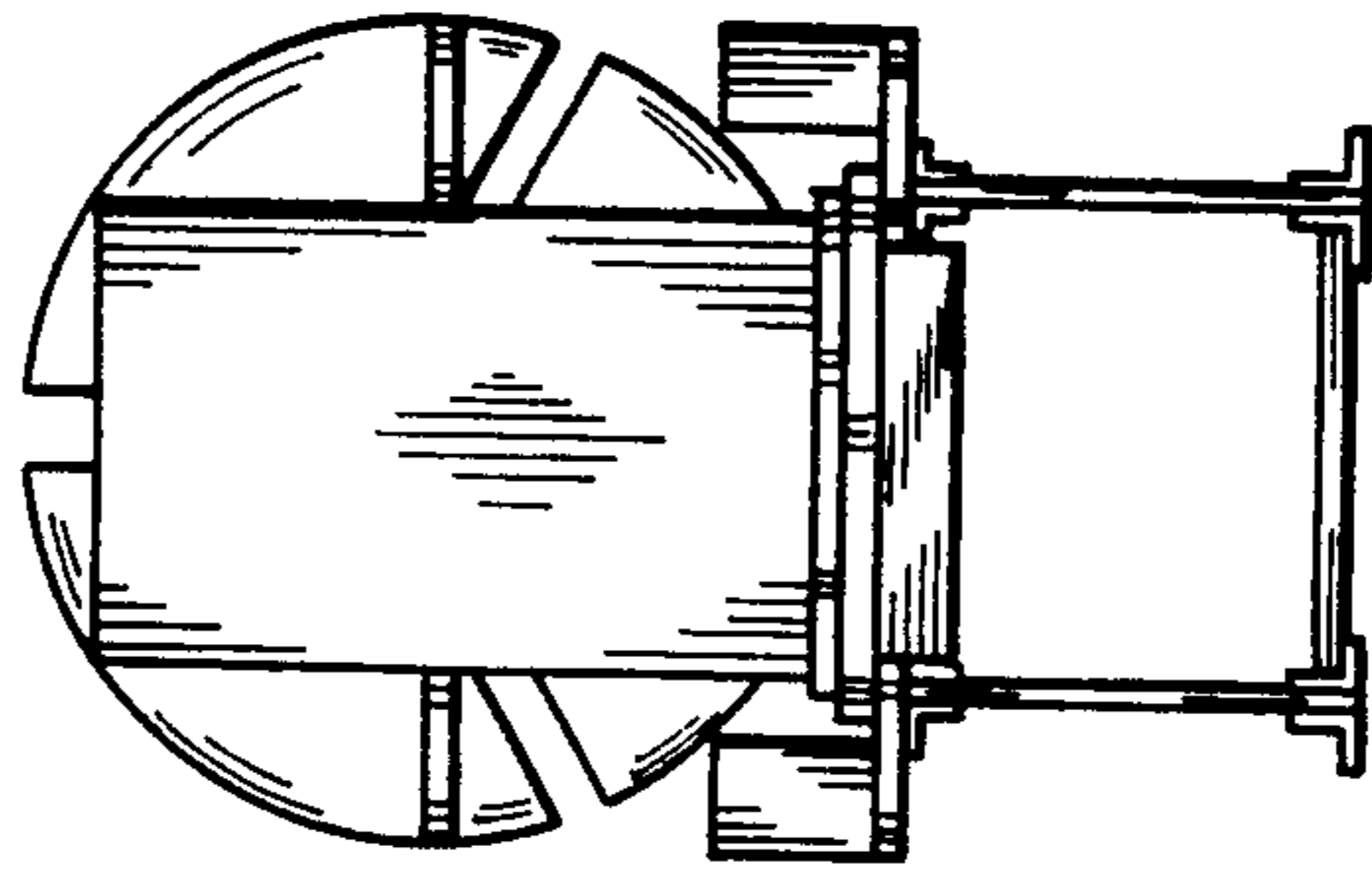


FIG. 4

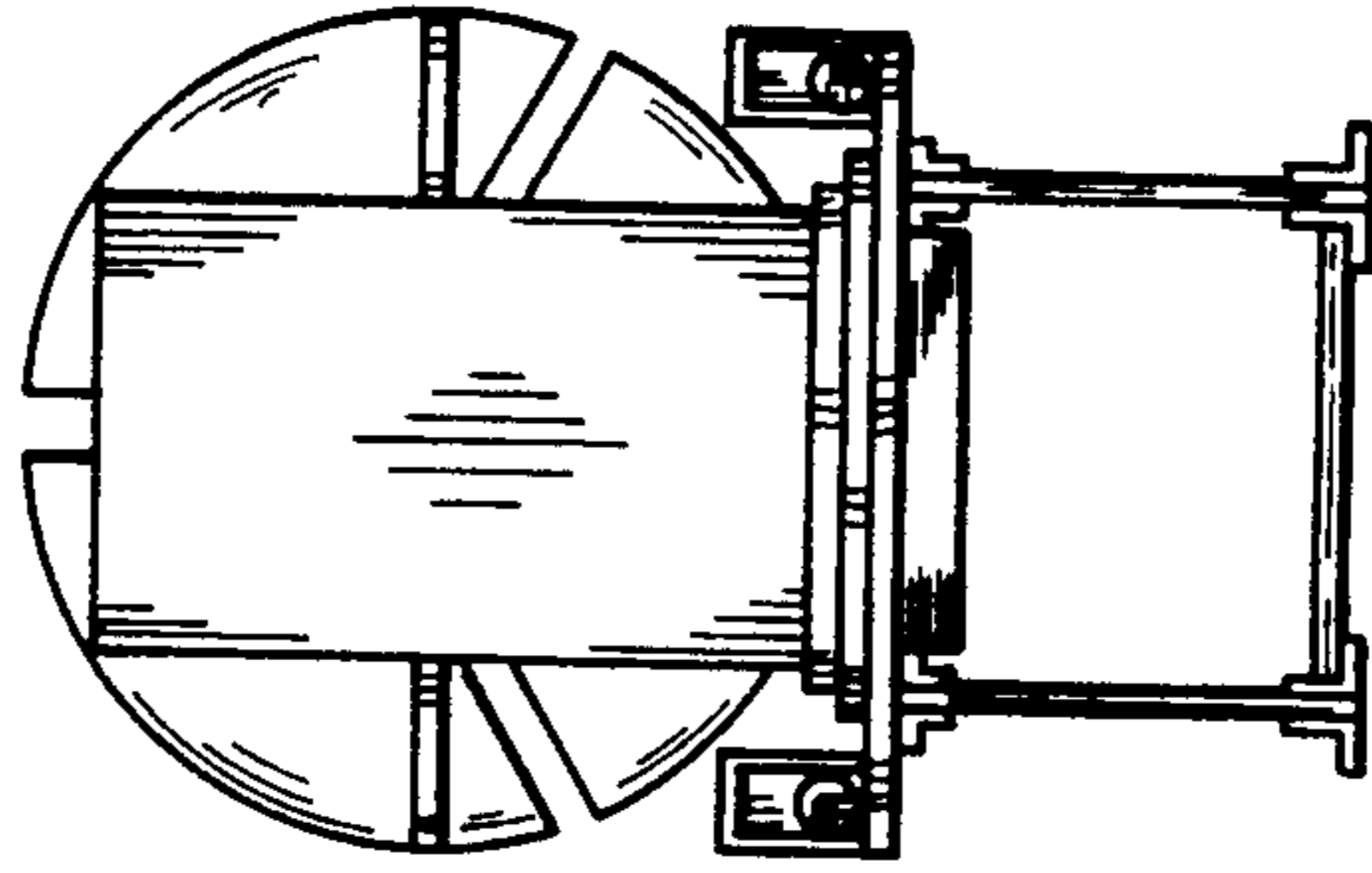


FIG. 5

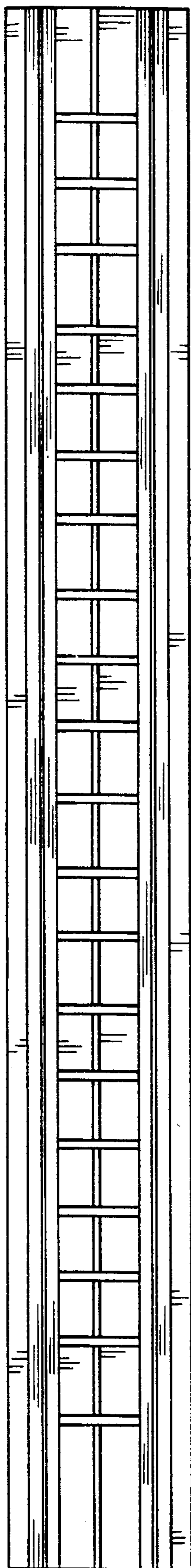


FIG. 6

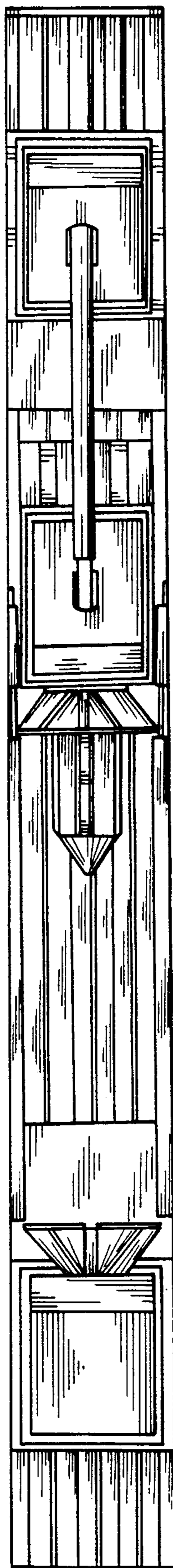


FIG. 7