



US00D332951S

United States Patent [19]

[11] Patent Number: **Des. 332,951**

Seats

[45] Date of Patent: **** Feb. 2, 1993**

[54] **ENGINE ACCESSORY MOUNTING BRACKET**

[76] Inventor: **William R. Seats, 656 E. Cypress, Covina, Calif. 91723**

[**] Term: **14 Years**

[21] Appl. No.: **627,378**

[22] Filed: **Dec. 14, 1990**

[52] U.S. Cl. **D15/5**

[58] Field of Search **D15/1-5; 248/287, 637-639, 649, 674-675, 613**

[56] **References Cited**

U.S. PATENT DOCUMENTS

D. 273,297	4/1984	Nolff	D15/5
D. 283,896	5/1986	Evans et al.	D15/5
3,353,771	11/1967	Clem Te Bow	248/637
4,260,125	4/1981	Levine	248/675
4,802,648	2/1989	Decker et al.	248/638
5,094,425	3/1992	Stephens	248/638

Primary Examiner—A. Hugo Word

Assistant Examiner—R. Seifert
Attorney, Agent, or Firm—Boniard I. Brown

[57] **CLAIM**

The ornamental design for an engine accessory mounting bracket, as shown and described.

DESCRIPTION

FIG. 1 is a front perspective view of an engine accessory mounting bracket showing my new design; FIG. 2 is a partial side elevational view, the right side, as viewed from FIG. 1, being omitted for ease of illustration;

FIG. 3 is a partial side elevational view of the side opposite that shown in FIG. 2, the right side omitted for ease of illustration;

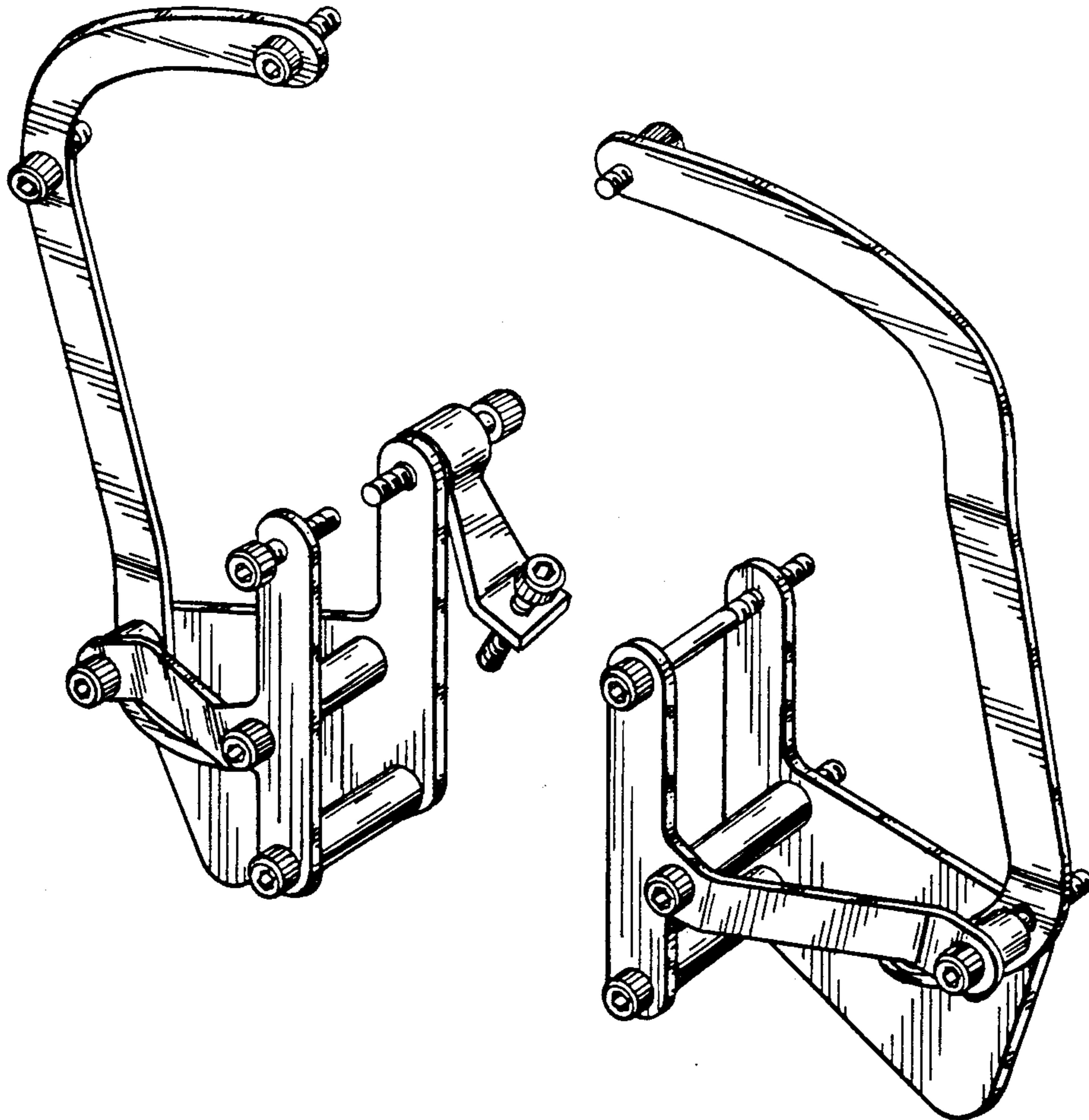
FIG. 4 is a top plan view;

FIG. 5 is a front elevational view;

FIG. 6 is a bottom plan view; and,

FIG. 7 is a rear elevational view.

The broken line showing of an engine accessory in FIGS. 2 and 3 are for illustrative purposes only and forms no part of the claimed design.



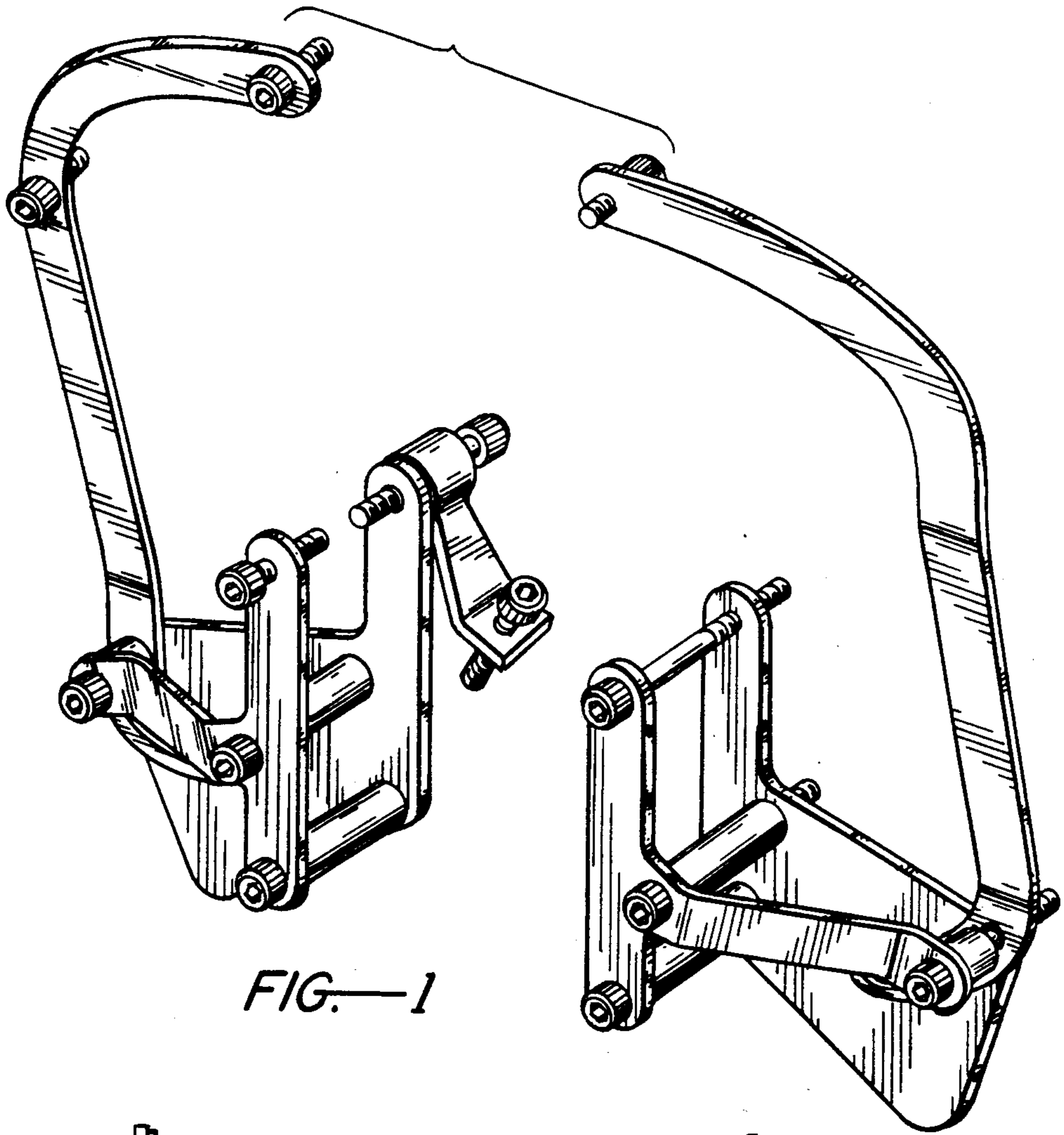


FIG.—1

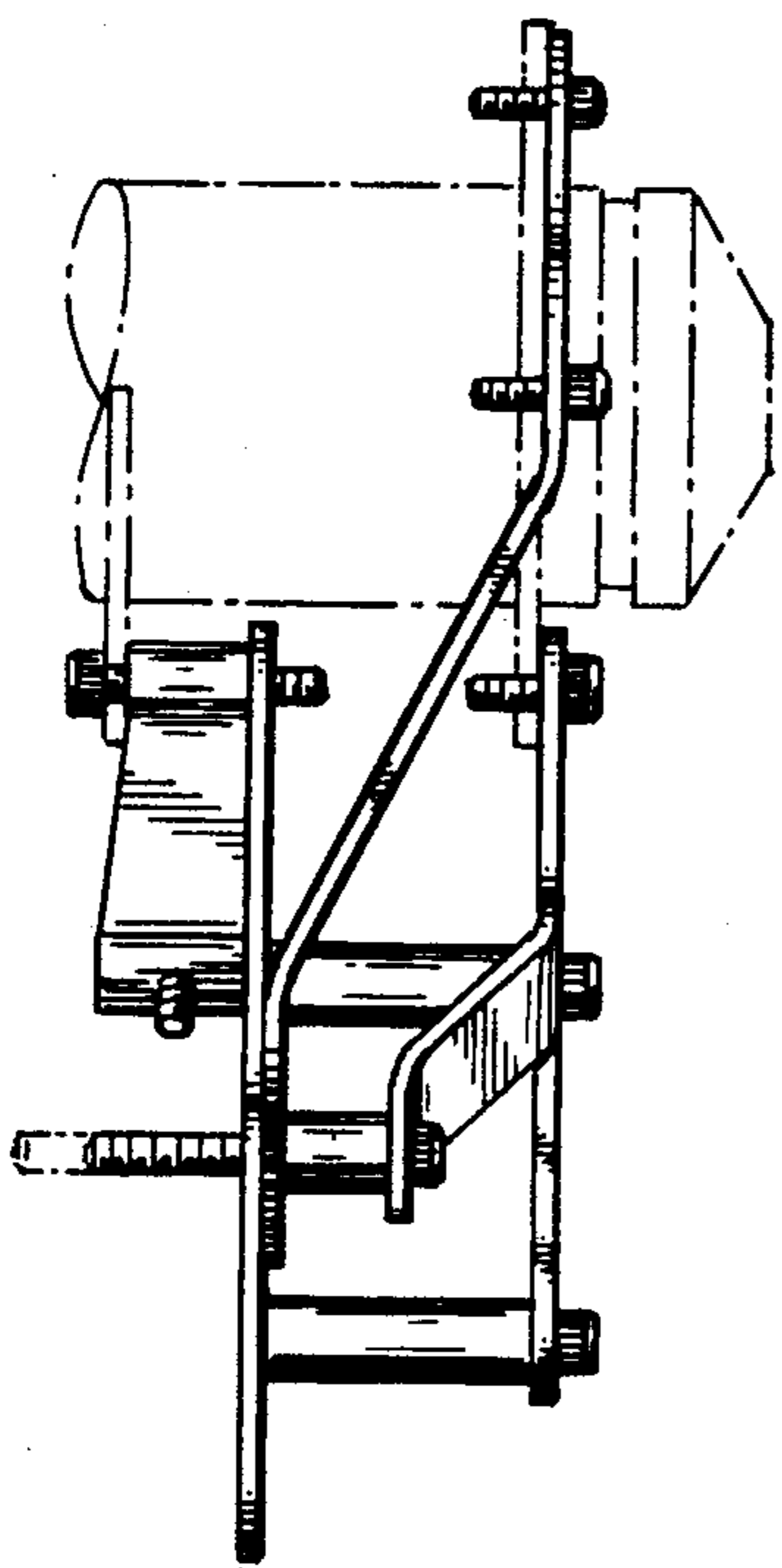


FIG.—2

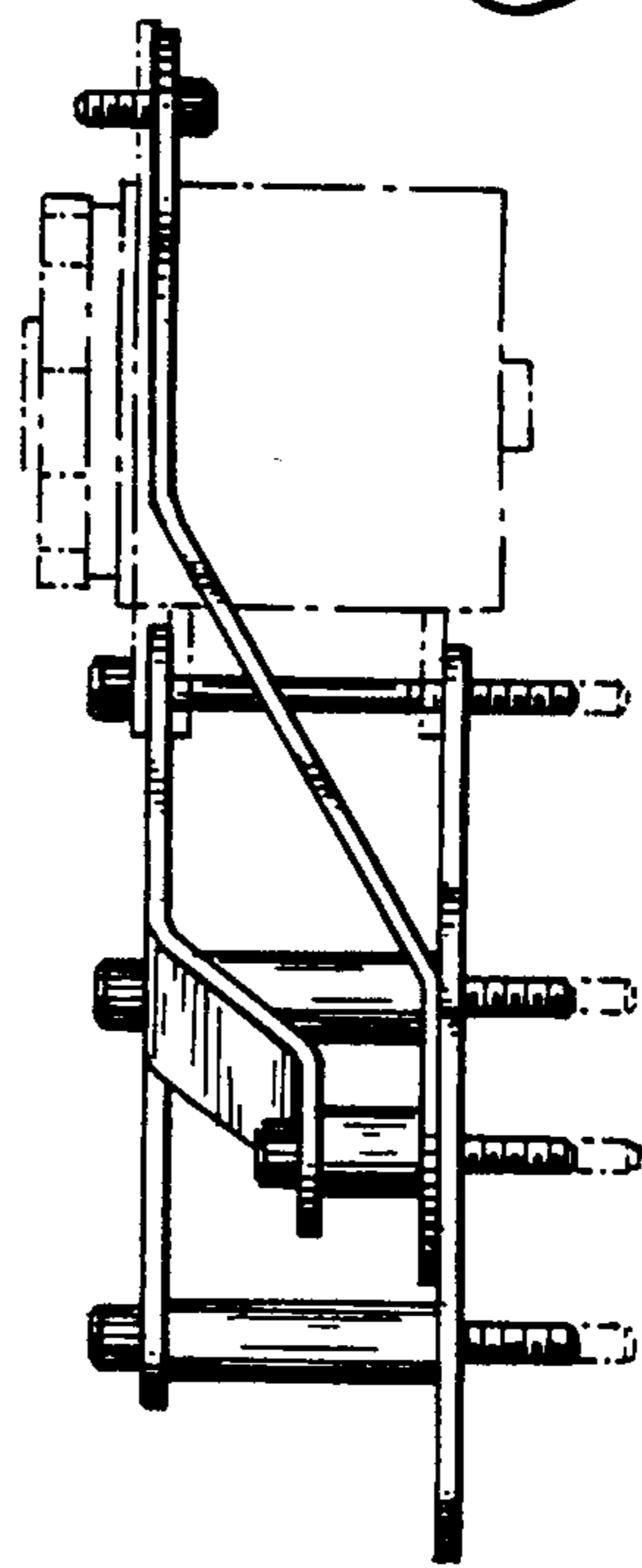
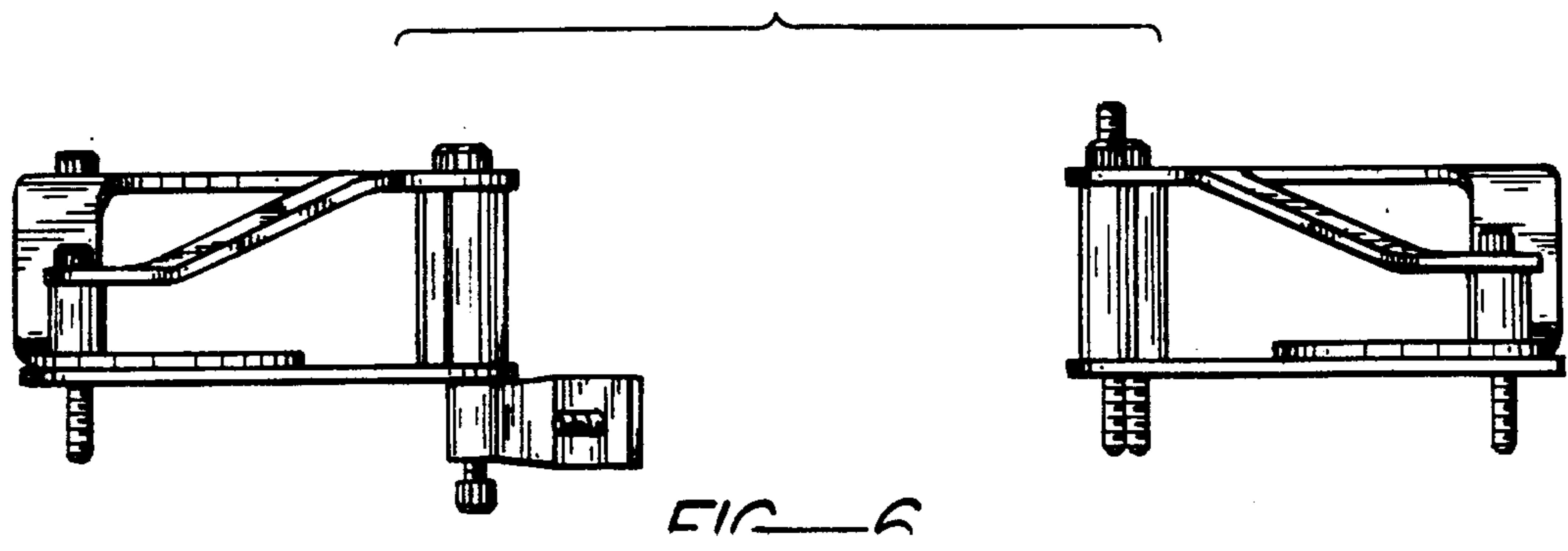
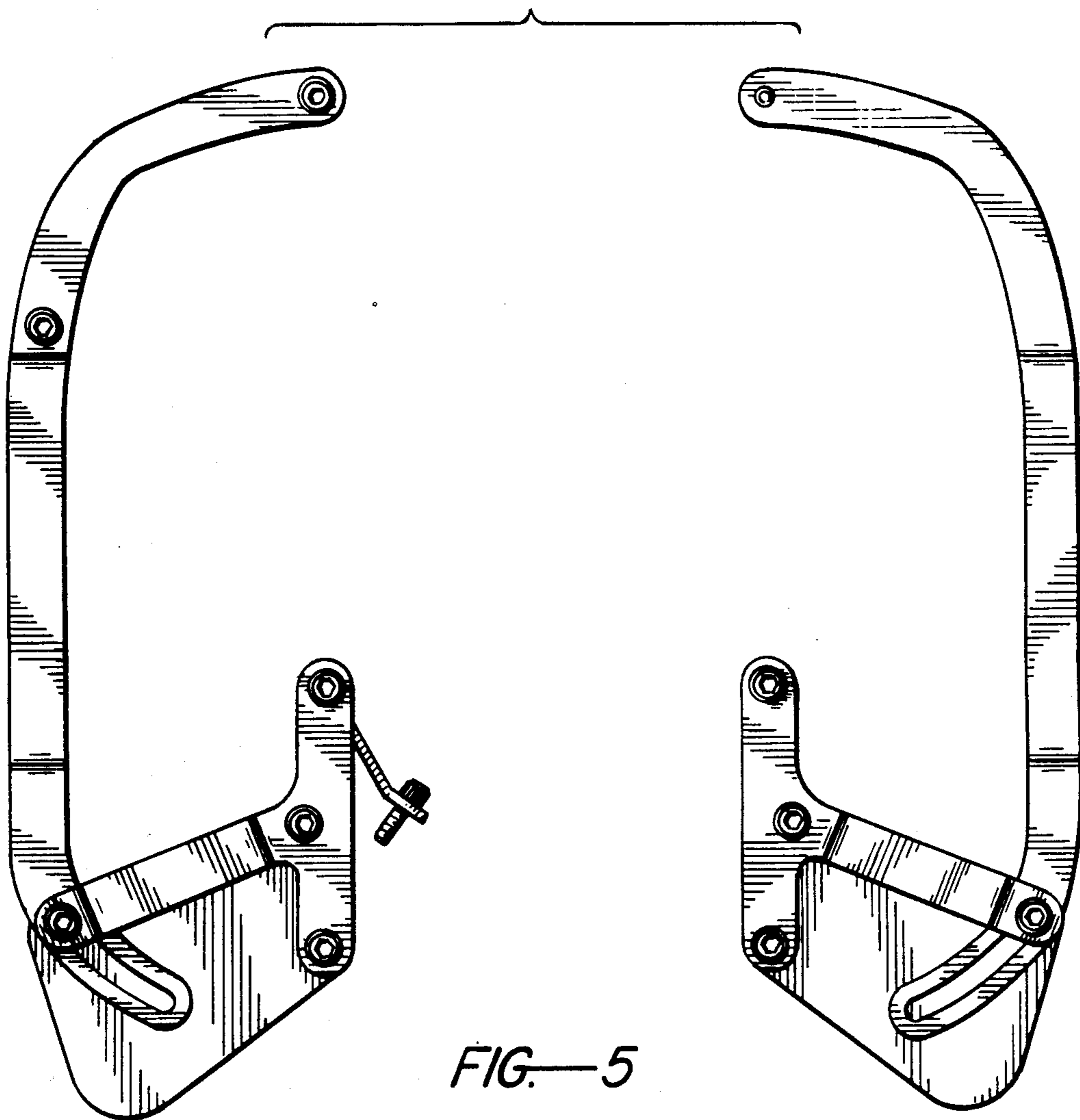
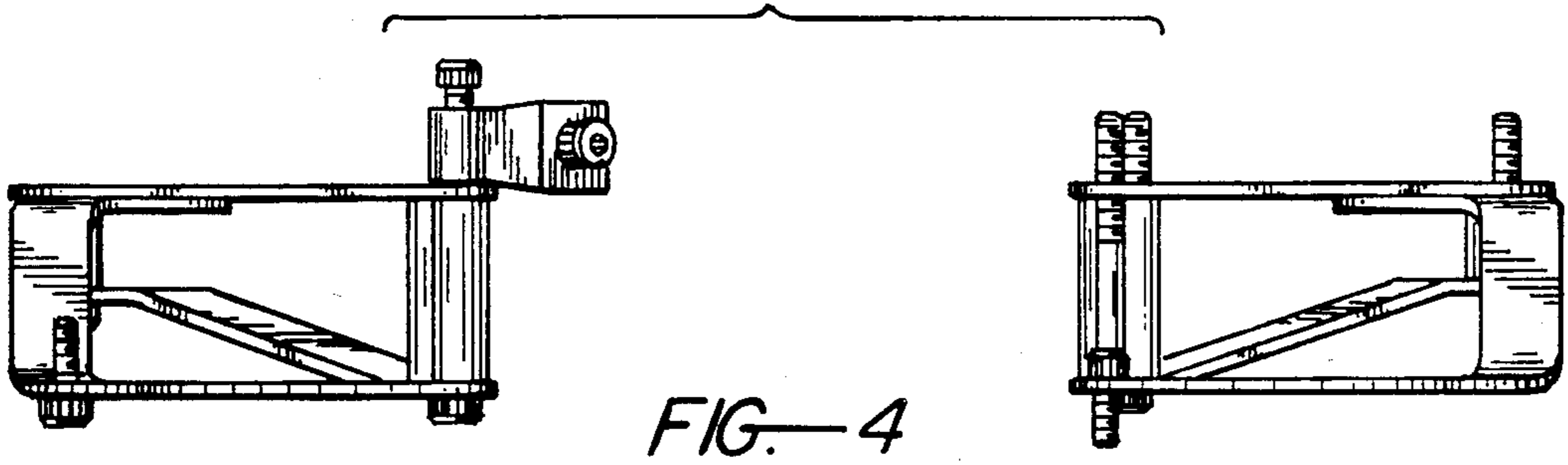


FIG.—3



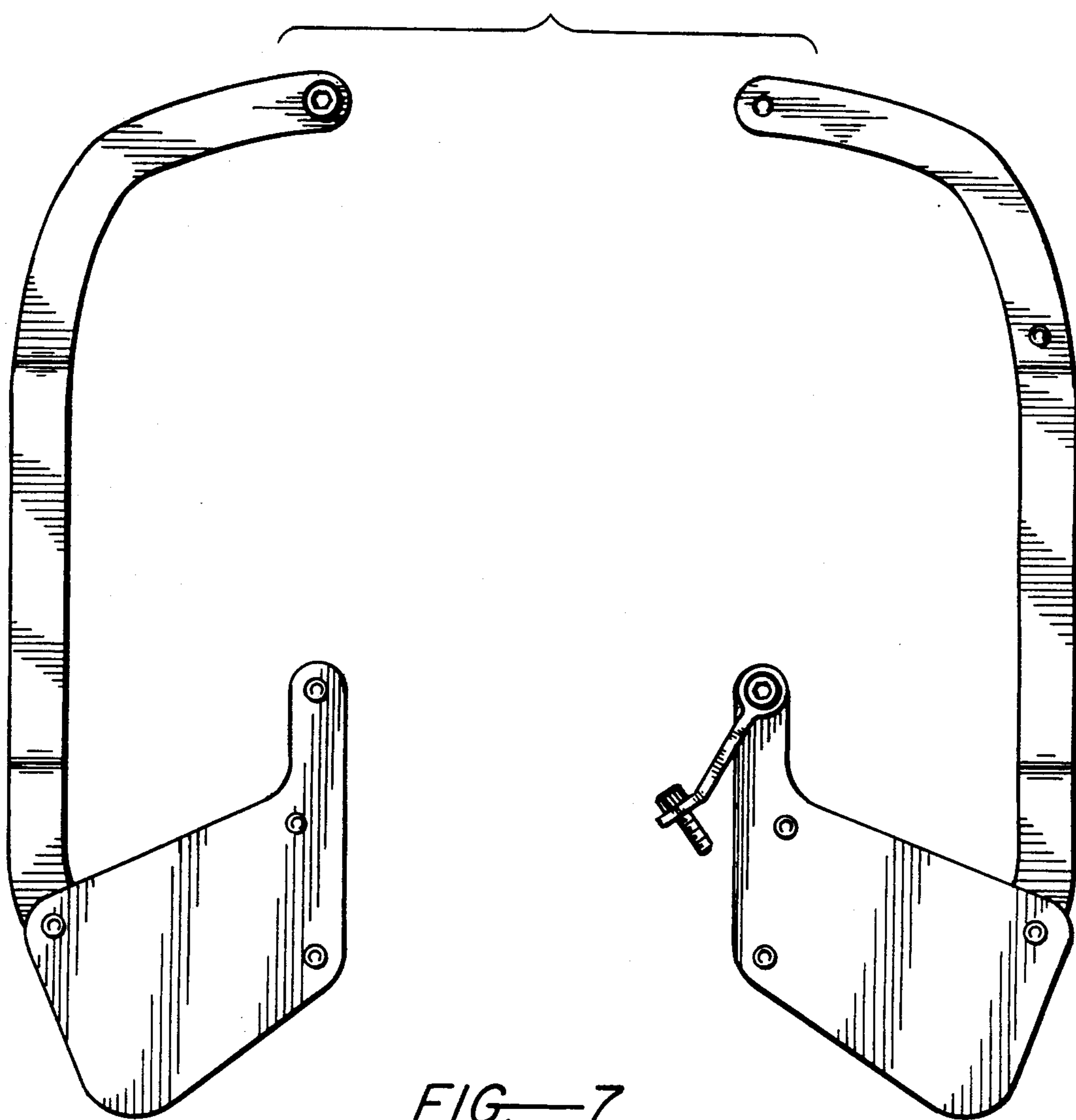


FIG.—7