



US00D332950S

United States Patent [19]

[11] Patent Number: **Des. 332,950**

Kirwan et al.

[45] Date of Patent: **** Feb. 2, 1993**

[54] **SNAP GUIDE**

[75] Inventors: **Bruce L. Kirwan, Concord; Thomas W. Petrie, Oakland, both of Calif.**

[73] Assignee: **Thunderware, Inc., Orinda, Calif.**

[**] Term: **14 Years**

[21] Appl. No.: **608,891**

[22] Filed: **Nov. 5, 1990**

[52] U.S. Cl. **D14/116; D14/114; D8/349**

[58] Field of Search **D8/349, 396; 16/202; D14/114, 116; 250/566, 568**

[56] **References Cited**

U.S. PATENT DOCUMENTS

D. 312,631 12/1990 Schorr et al. D14/114

D. 313,739 1/1991 Preston D8/396 X
D. 320,200 9/1991 Kirwan et al. D14/116
3,034,170 5/1962 Koebel 16/202 X

Primary Examiner—Wallace R. Burke
Assistant Examiner—H. Baynham
Attorney, Agent, or Firm—Blakely, Sokoloff, Taylor & Zafman

[57] **CLAIM**

The ornamental design for a snap guide, as shown.

DESCRIPTION

FIG. 1 is a perspective view of the snap guide;
FIG. 2 is a top plan view thereof;
FIG. 3 is a bottom view thereof;
FIG. 4 is a front view thereof;
FIG. 5 is a back view thereof;
FIG. 6 is a right side view thereof; and,
FIG. 7 is a left side view thereof.

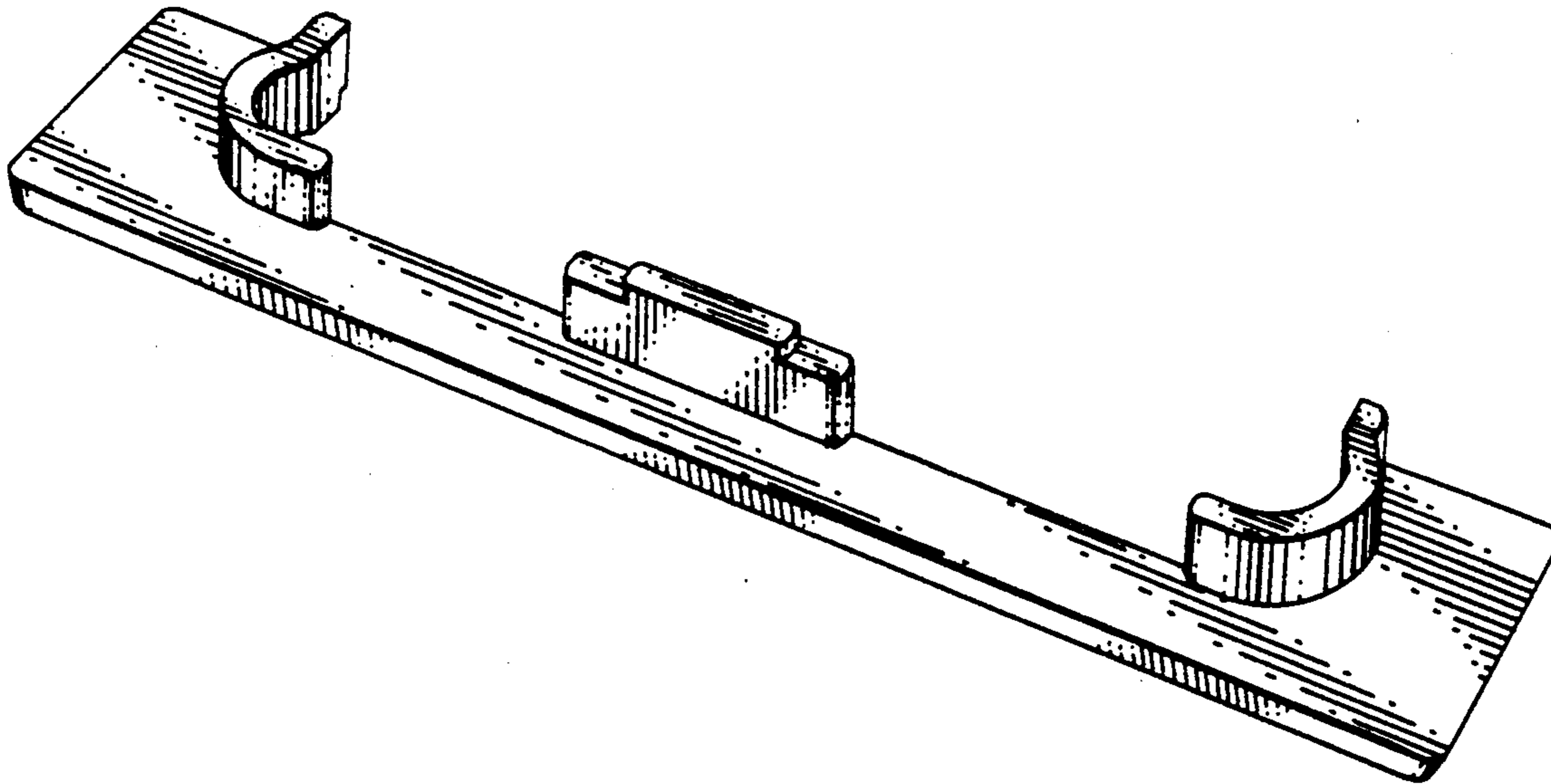


FIG 1

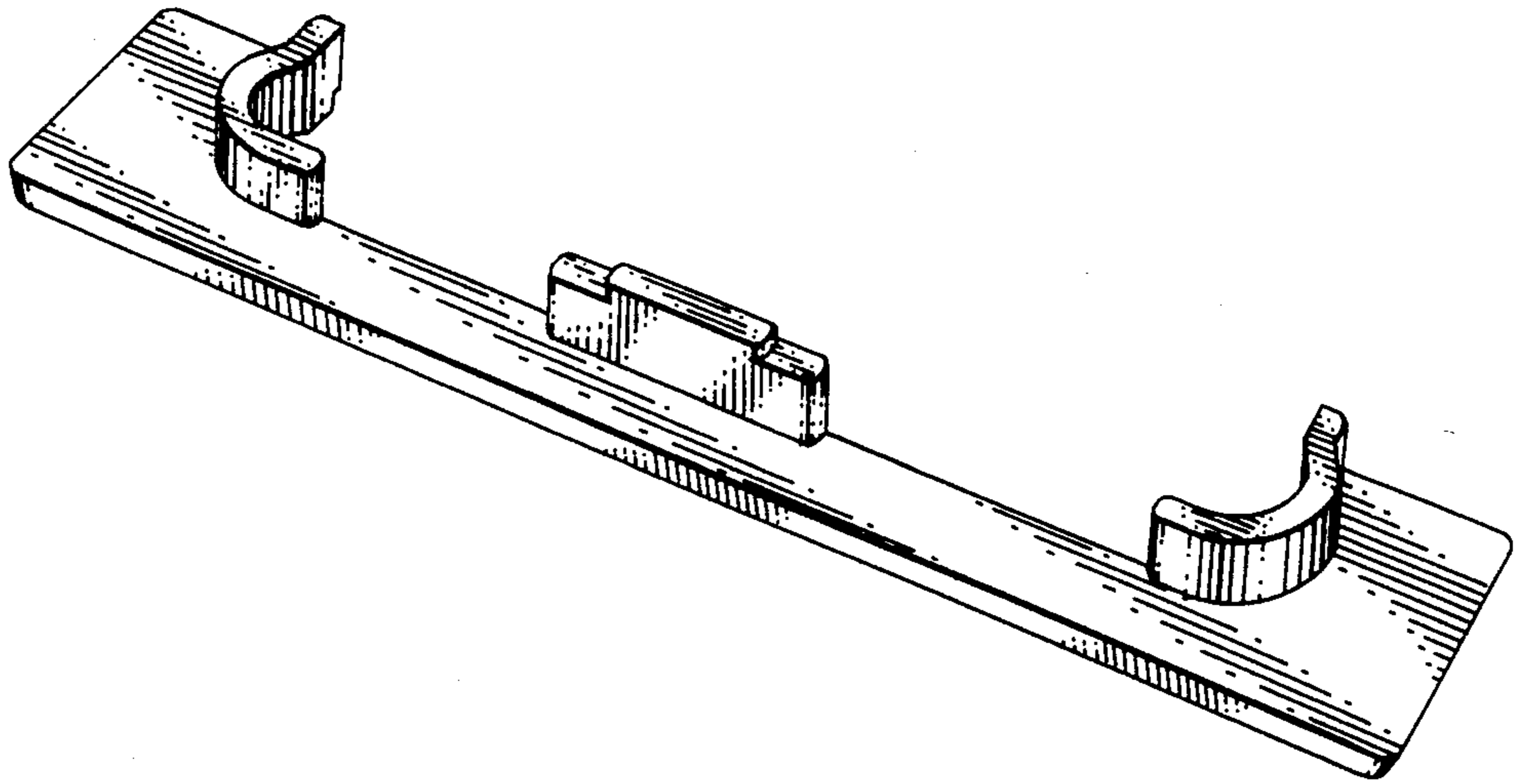


FIG 2

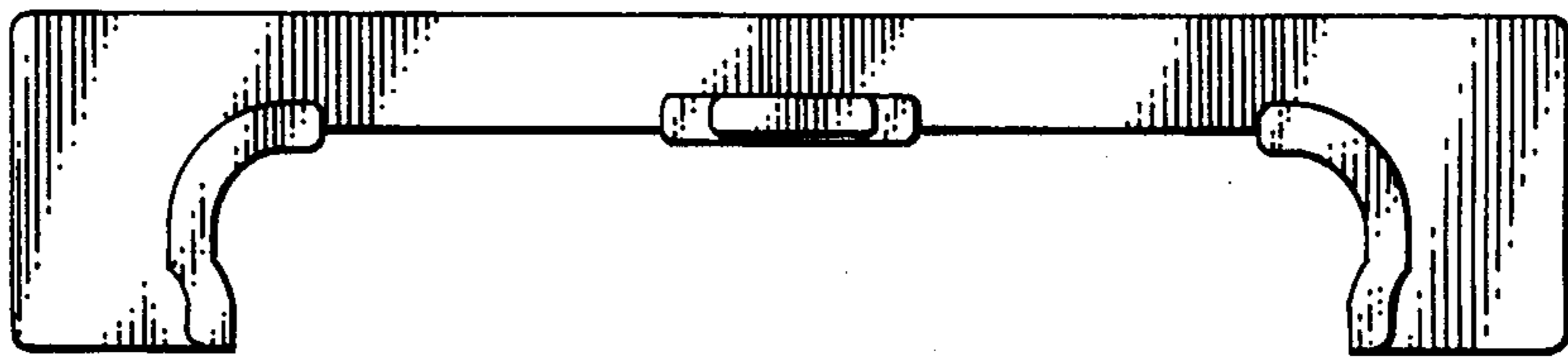


FIG 3

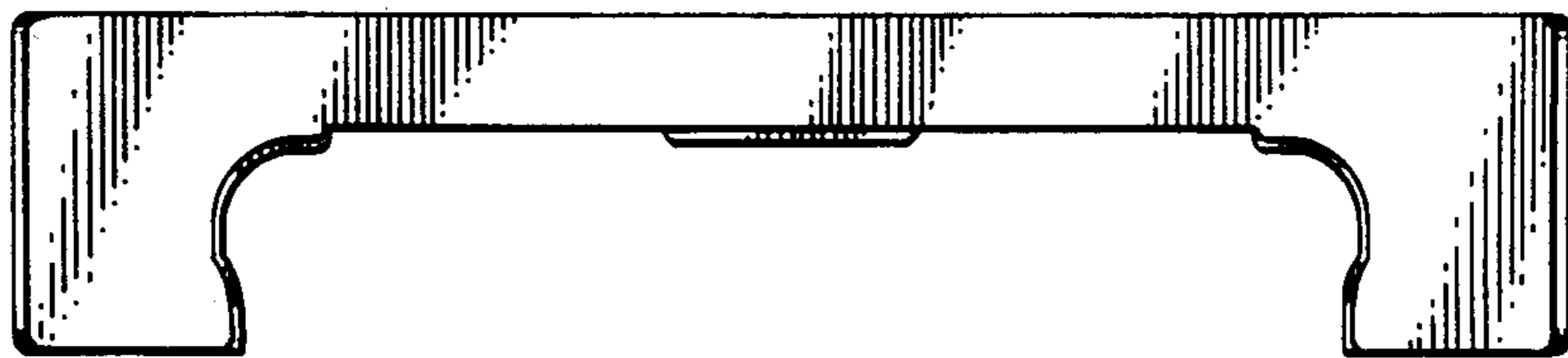


FIG 4



FIG 5



FIG 6



FIG 7

