



US00D332946S

United States Patent [19]

[11] Patent Number: **Des. 332,946**

Kao

[45] Date of Patent: **** Feb. 2, 1993**

[54] **COMPUTER MONITOR**

[75] Inventor: **George Kao, Taipei, Taiwan**

[73] Assignee: **Peripheral Technology, Inc., Taipei, Taiwan**

[**] Term: **14 Years**

[21] Appl. No.: **624,775**

[22] Filed: **Dec. 10, 1990**

[30] **Foreign Application Priority Data**

Nov. 9, 1990 [TW] Taiwan 79307377

[52] U.S. Cl. **D14/113**

[58] Field of Search D14/100, 101, 106, 113,
D14/124-126; 340/700, 706, 707, 712;
364/708, 709; 358/254, 255

[56] **References Cited**

U.S. PATENT DOCUMENTS

D. 295,414 4/1988 Yokoi et al. D14/113
D. 300,929 5/1989 Satherley D14/113

D. 305,755 1/1990 Suyama et al. D14/113
D. 310,074 8/1990 Sottsass D14/113
D. 311,738 10/1990 Landry et al. D14/113
D. 312,453 11/1990 Oh D14/113
D. 328,066 7/1992 Couch D14/113

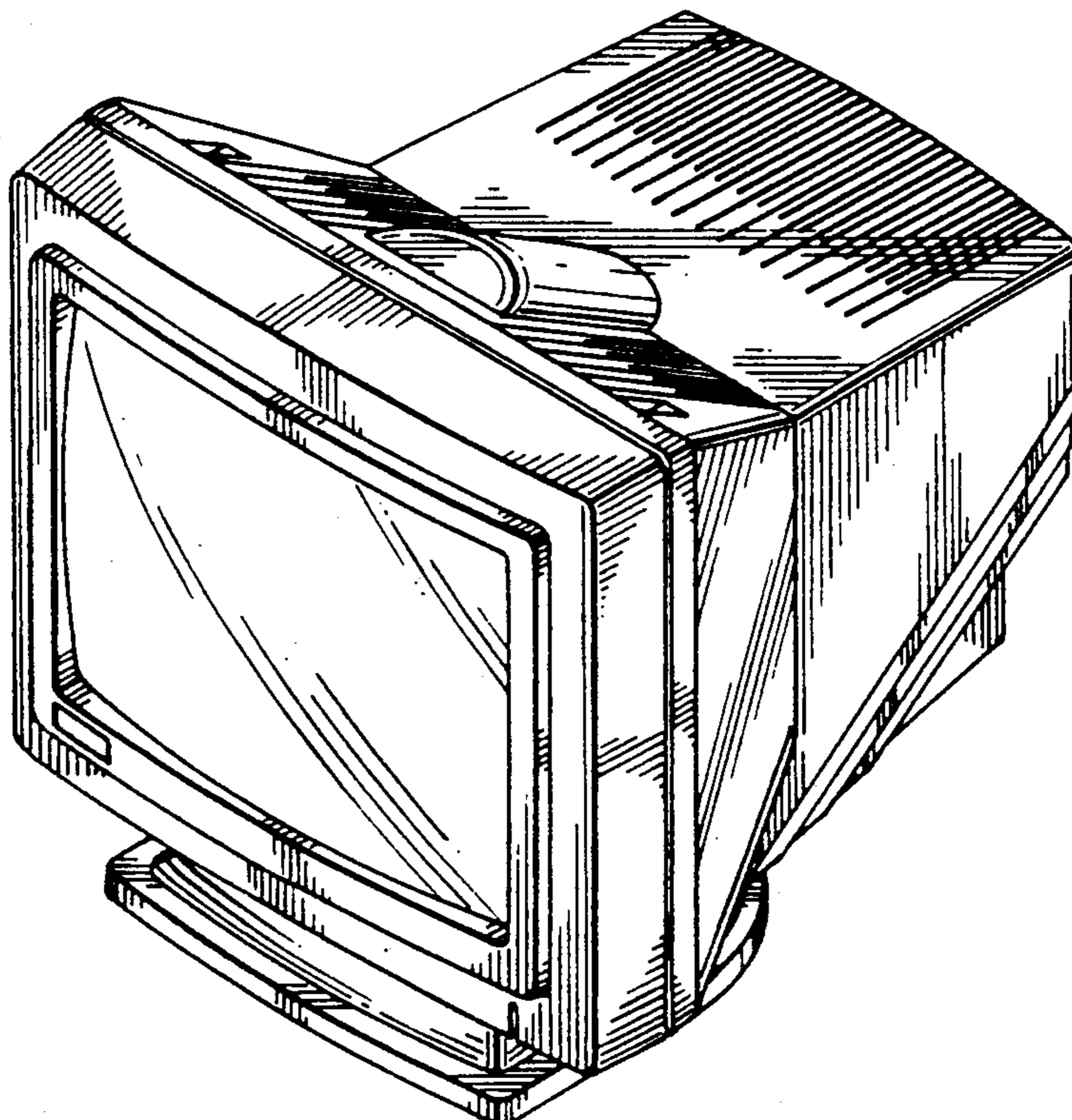
Primary Examiner—Wallace R. Burke
Assistant Examiner—Freda S. Nunn
Attorney, Agent, or Firm—Woodard, Emhardt,
Naughton Moriarty & McNett

[57] **CLAIM**

The ornamental design for a computer monitor, as shown and described.

DESCRIPTION

FIG. 1 is a perspective view of a computer monitor showing my new design;
FIG. 2 is a front elevational view thereof;
FIG. 3 is a rear elevational view thereof;
FIG. 4 is a left side elevational view thereof;
FIG. 5 is a right side elevational view thereof;
FIG. 6 is a top plan view thereof; and,
FIG. 7 is a bottom plan view thereof.



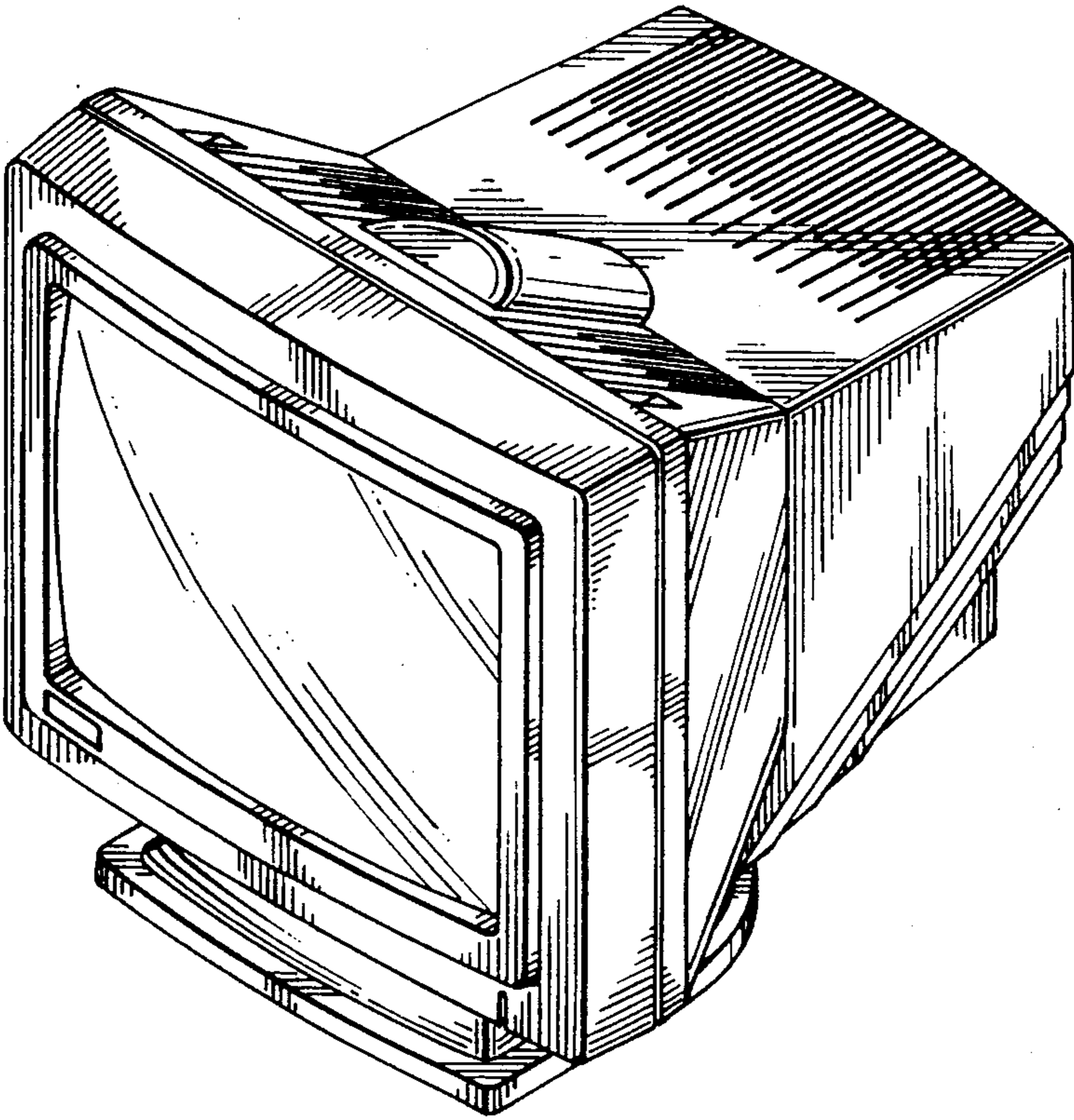


FIG. 1

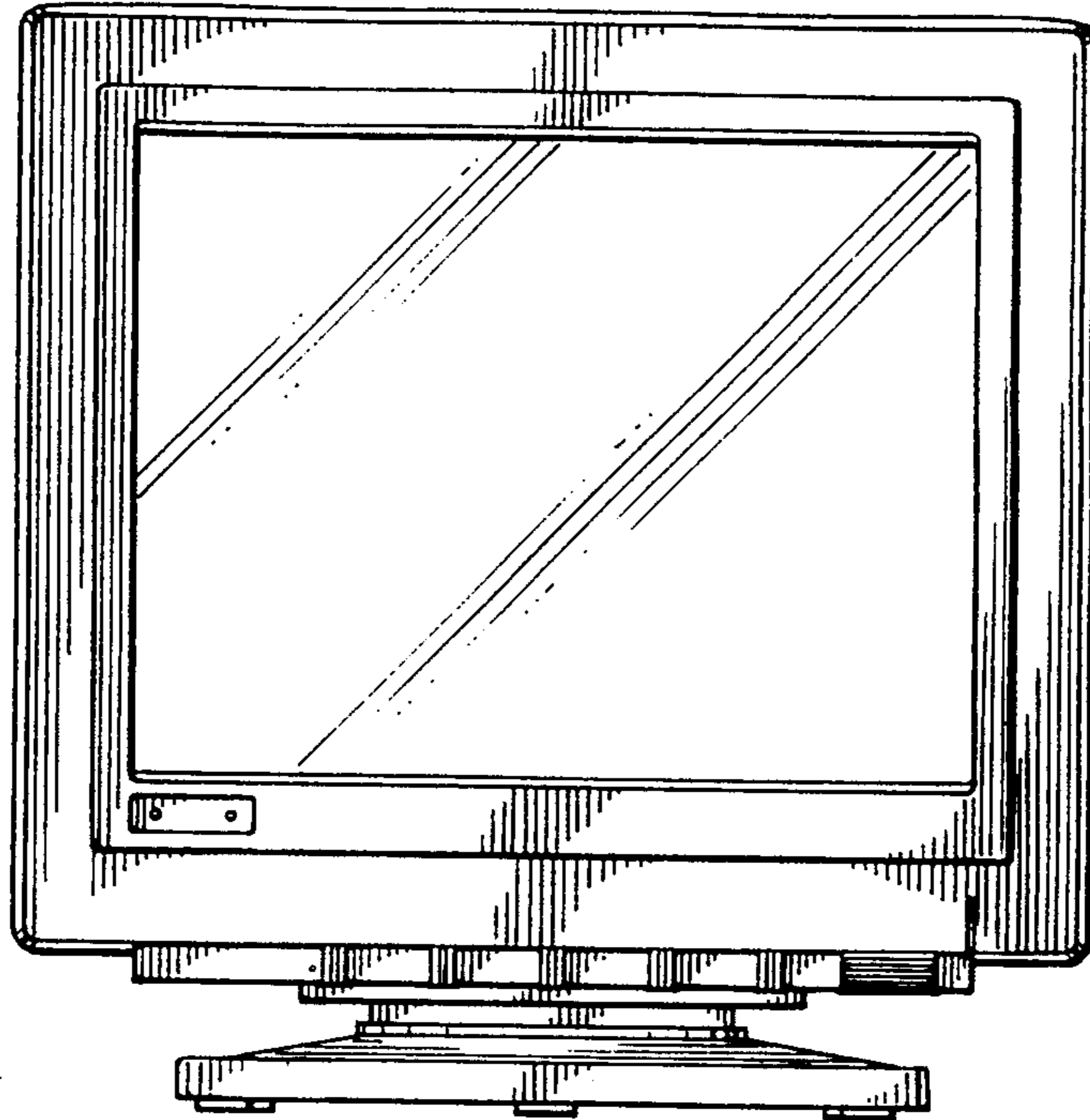


FIG. 2

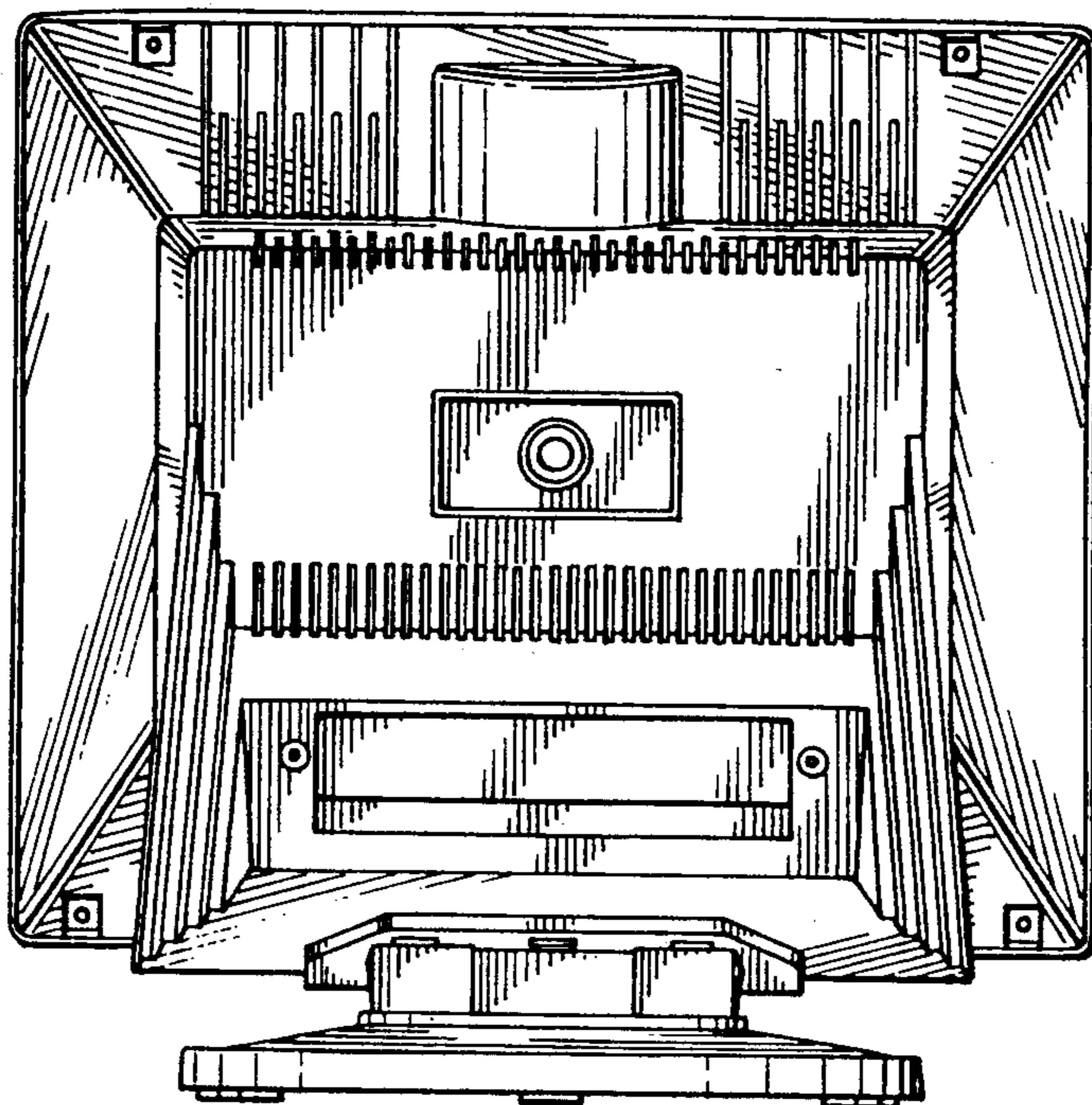


FIG. 3

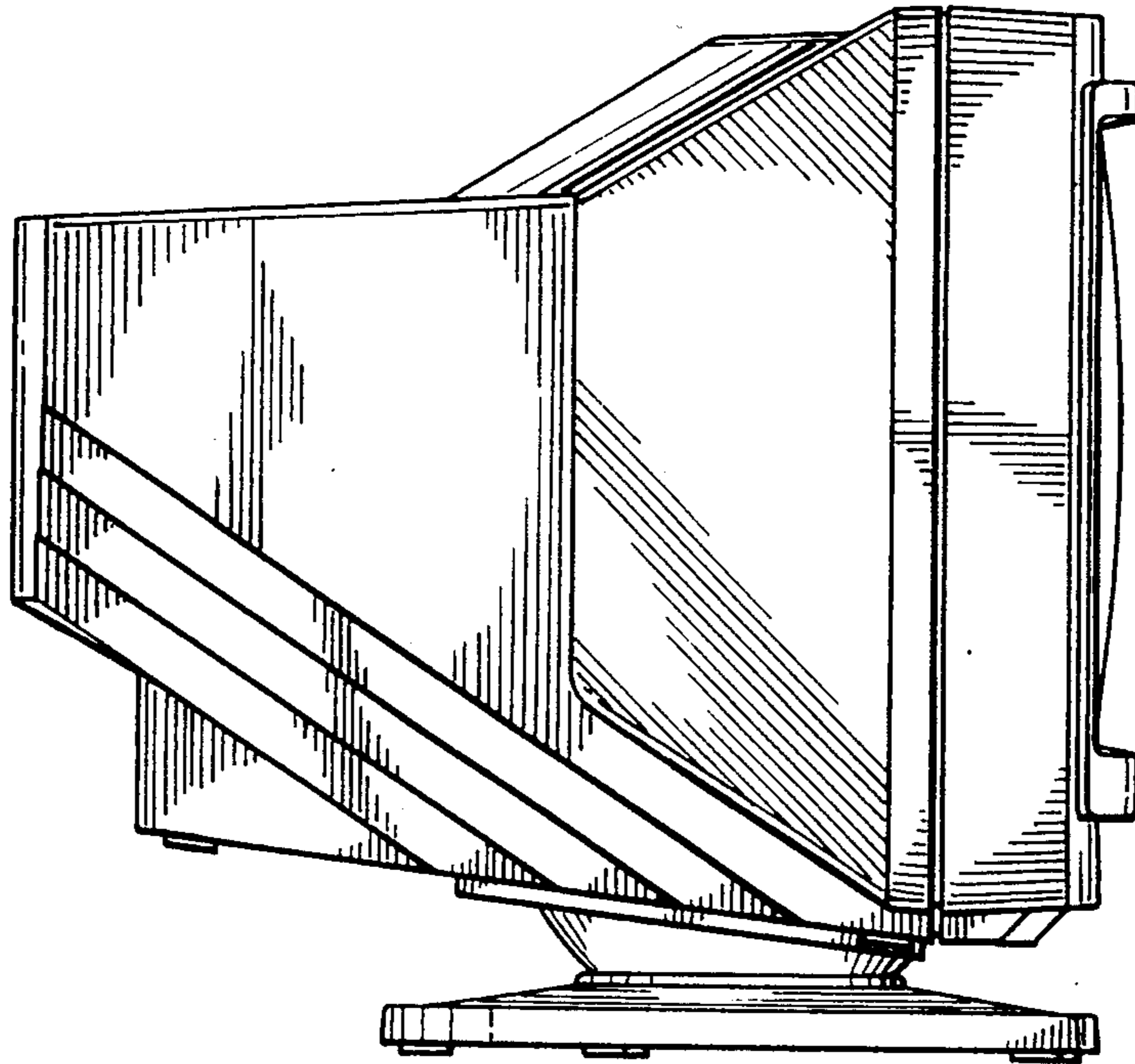


FIG. 4

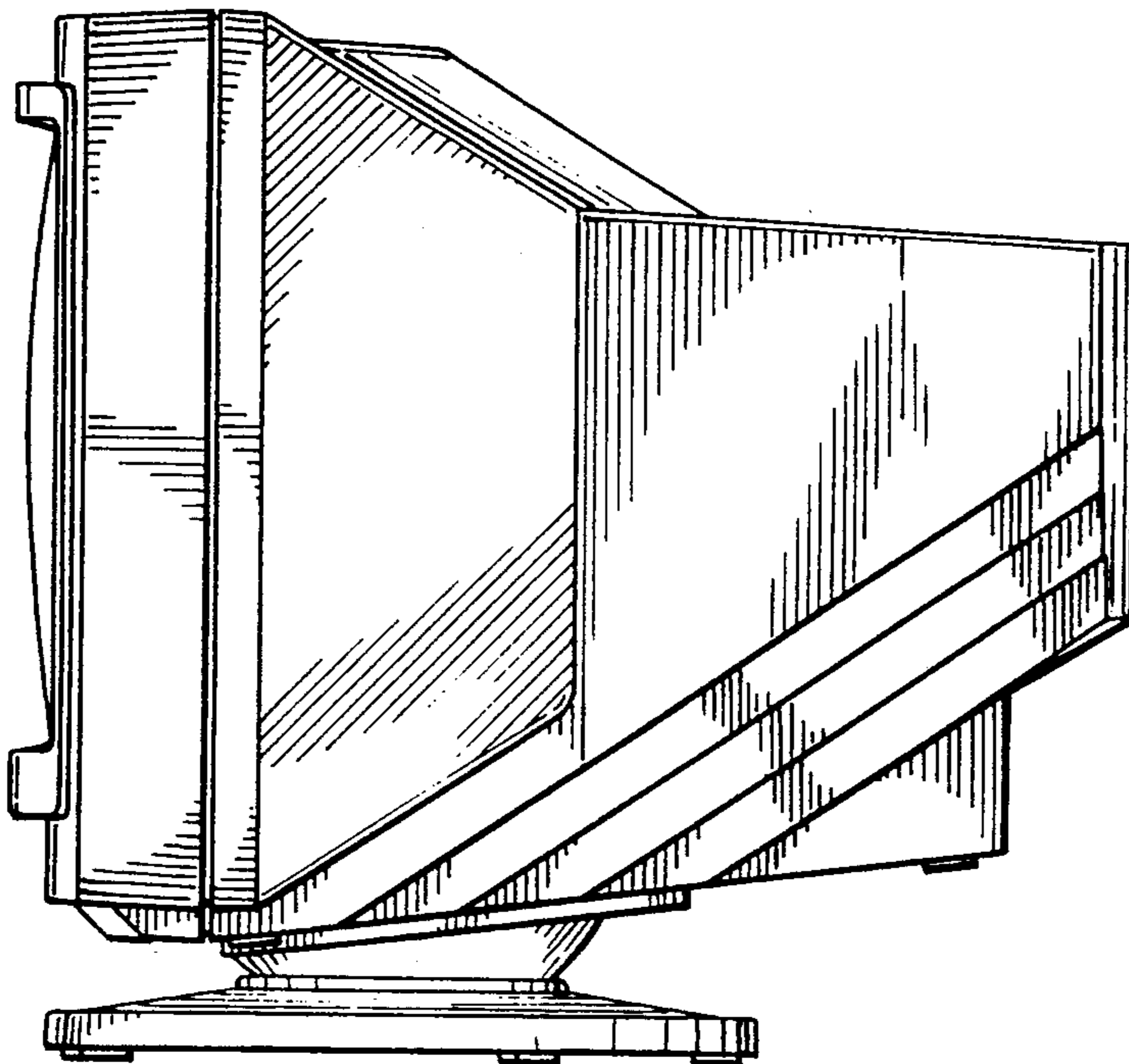


FIG. 5

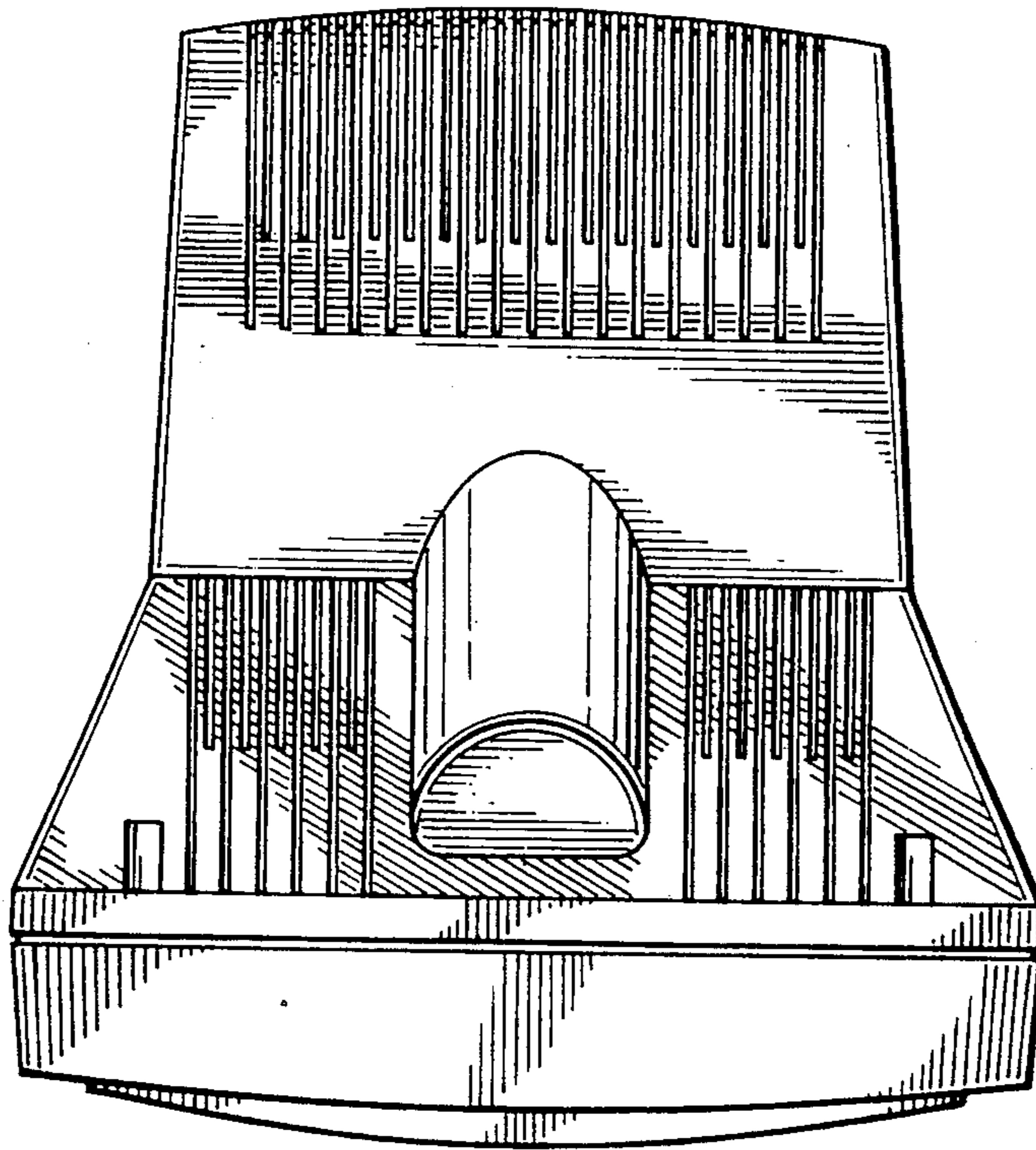


FIG. 6

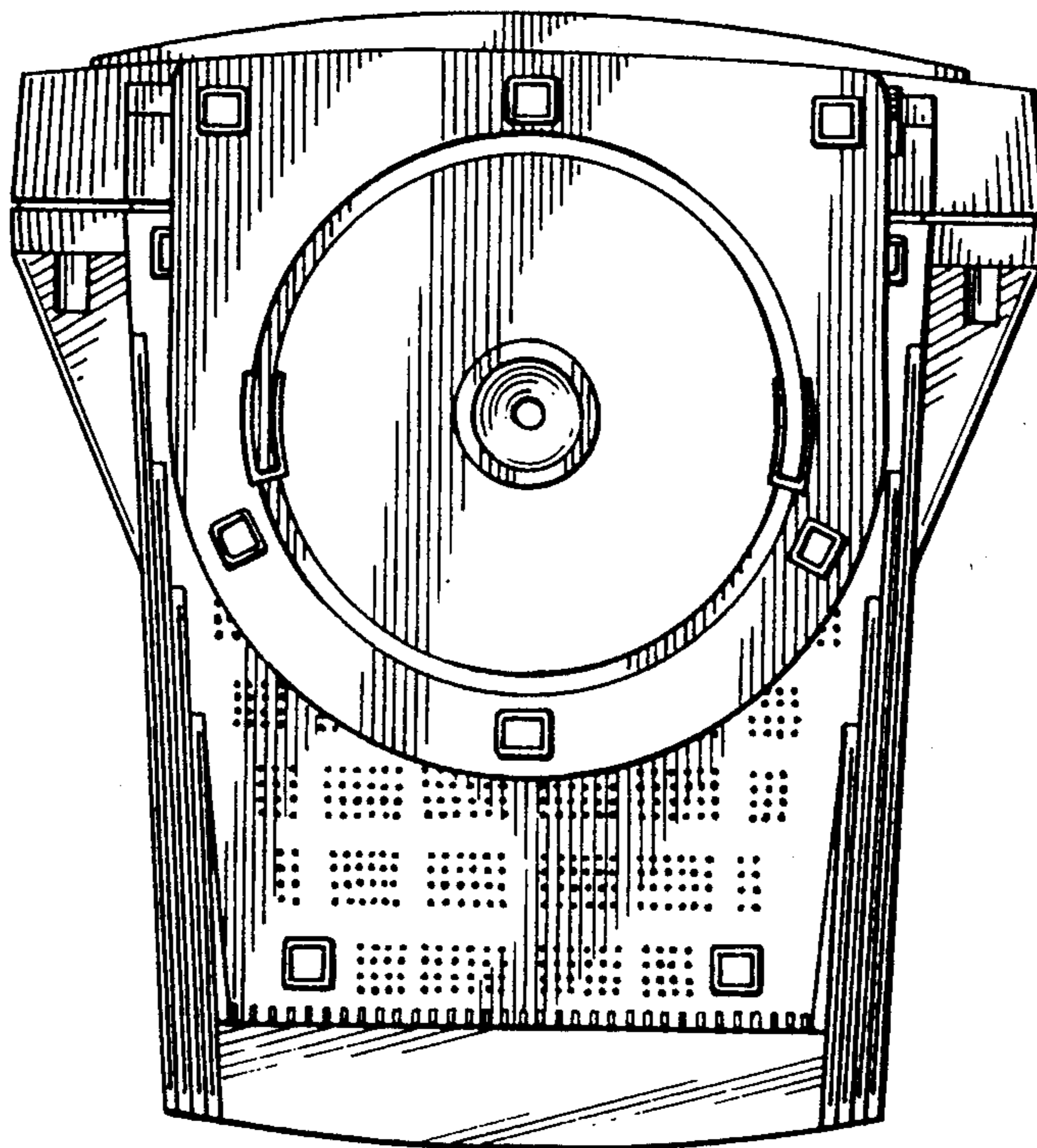


FIG. 7