



US00D332942S

# United States Patent [19]

[11] Patent Number: **Des. 332,942**

**Julien**

[45] Date of Patent: **\*\* Feb. 2, 1993**

[54] **VEHICLE TRAILER ELECTRICAL CONNECTOR STORAGE BOX**

4,381,063	4/1983	Leong .....	174/67
4,424,407	1/1984	Barbie .....	174/67
4,533,786	8/1985	Borgmeyer et al. ....	174/50

[75] Inventor: **Wayne S. Julien, Orlando, Fla.**

### FOREIGN PATENT DOCUMENTS

[73] Assignee: **J & W Products, Inc., Orlando, Fla.**

1147289 11/1957 France .....

[\*\*] Term: **14 Years**

*Primary Examiner*—Wallace R. Burke  
*Assistant Examiner*—Melody Brown  
*Attorney, Agent, or Firm*—William M. Hobby, III

[21] Appl. No.: **572,794**

[22] Filed: **Aug. 27, 1990**

[52] U.S. Cl. .... **D13/184; D12/163**

[58] Field of Search ..... **D12/163; D13/184, 110; 174/48, 50, 67; 220/339, 341; 248/357, 506; 280/507**

### [57] CLAIM

The ornamental design for a vehicle trailer electrical connector storage box design, as shown.

### [56] References Cited

#### U.S. PATENT DOCUMENTS

D. 253,281	10/1979	Kim .....	D13/184
D. 254,846	4/1980	Wood .....	D13/110
D. 272,242	1/1984	Holie et al. ....	D13/184
D. 314,182	1/1991	Moerman .....	D13/184
2,763,707	9/1956	Soderberg .....	174/50
3,279,871	10/1966	Bright .....	D13/184
3,784,727	1/1974	Haubein .....	174/50

### DESCRIPTION

FIG. 1 is front perspective view of a vehicle trailer electrical connector storage box showing my new design;

FIG. 2 is a front elevation view thereof;

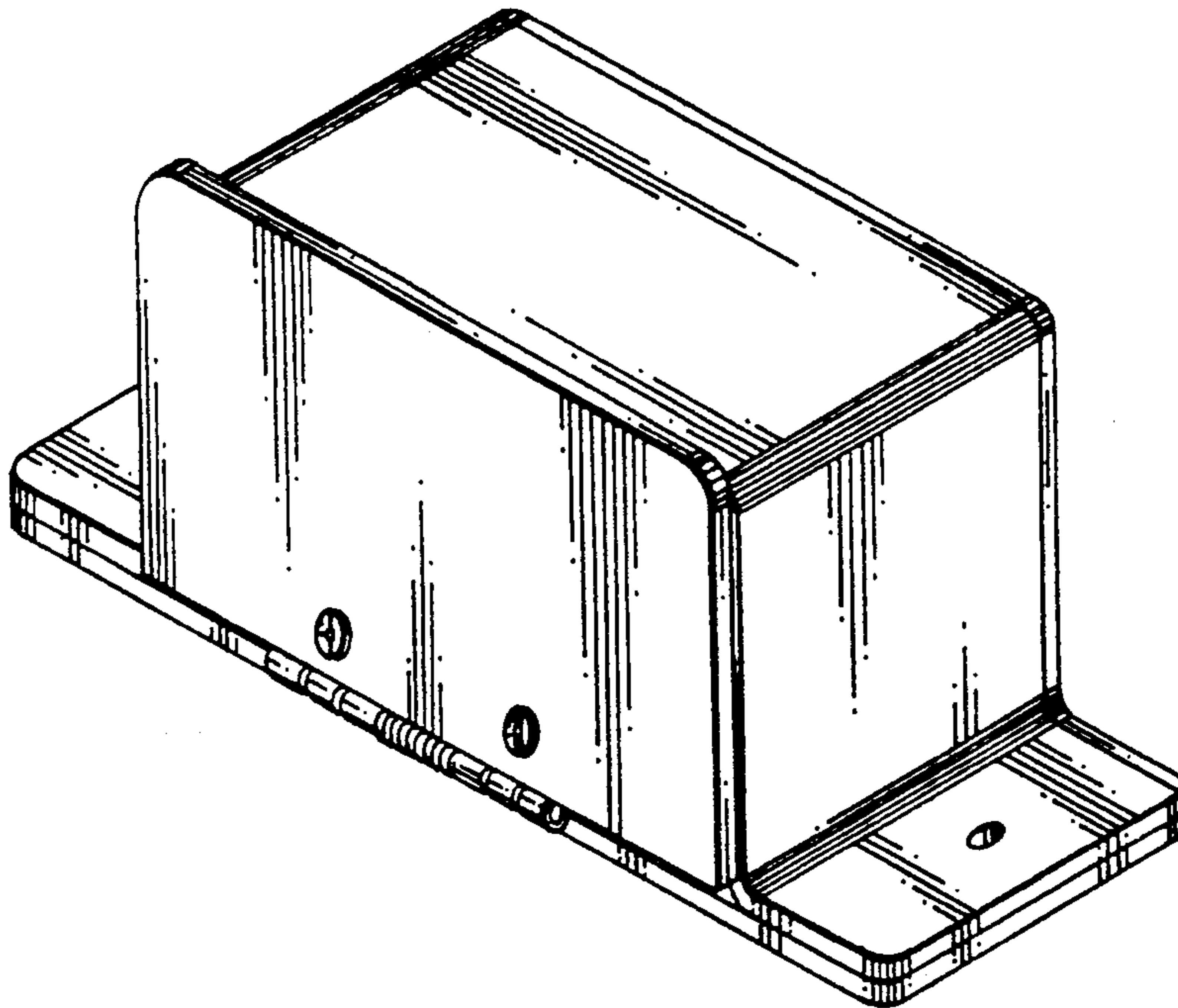
FIG. 3 is a rear elevation view thereof;

FIG. 4 is a top plan view thereof;

FIG. 5 is a bottom plan view thereof;

FIG. 6 is a side elevation view thereof; and,

FIG. 7 is an opposite side elevation view thereof.



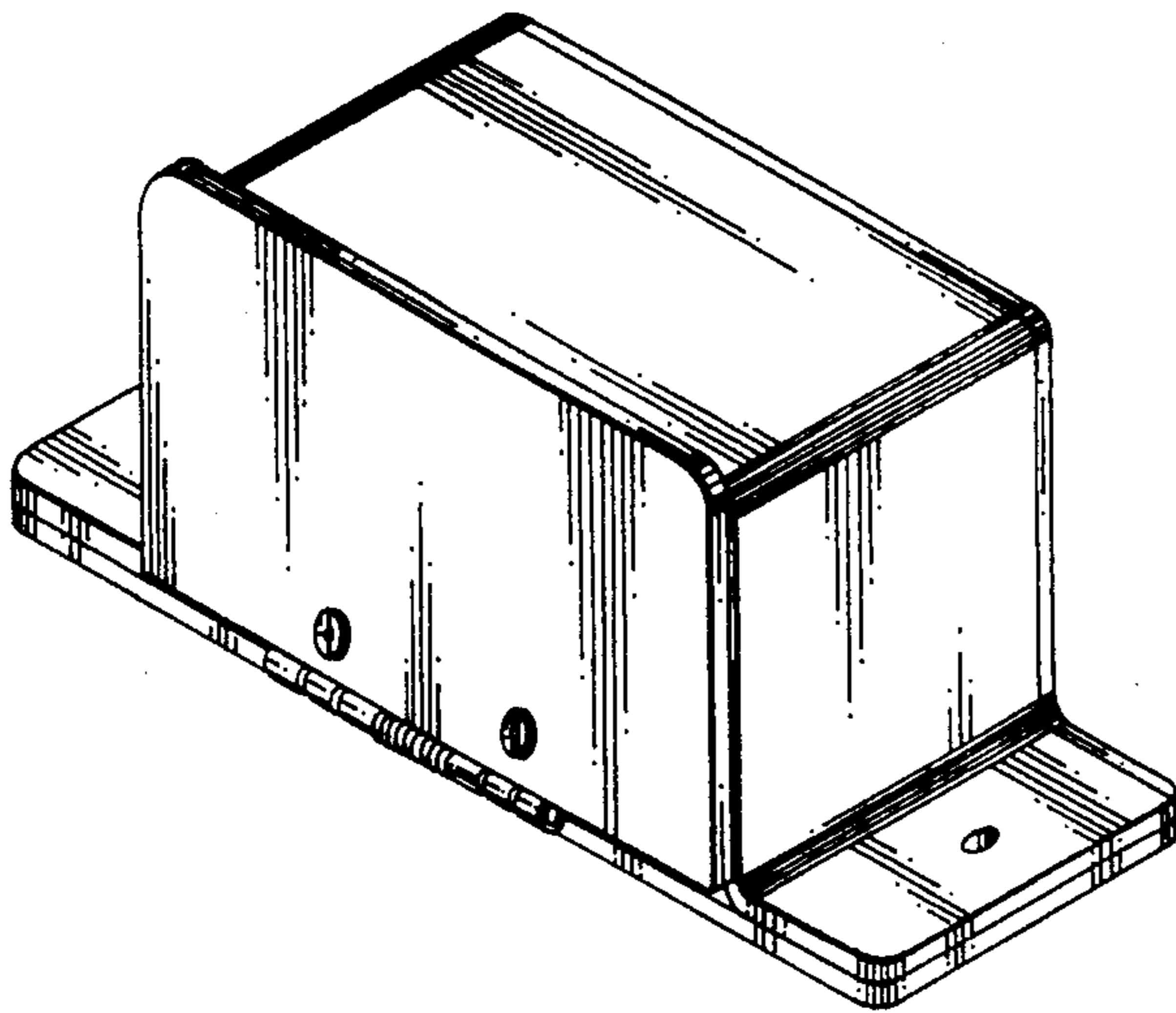


FIG. 1

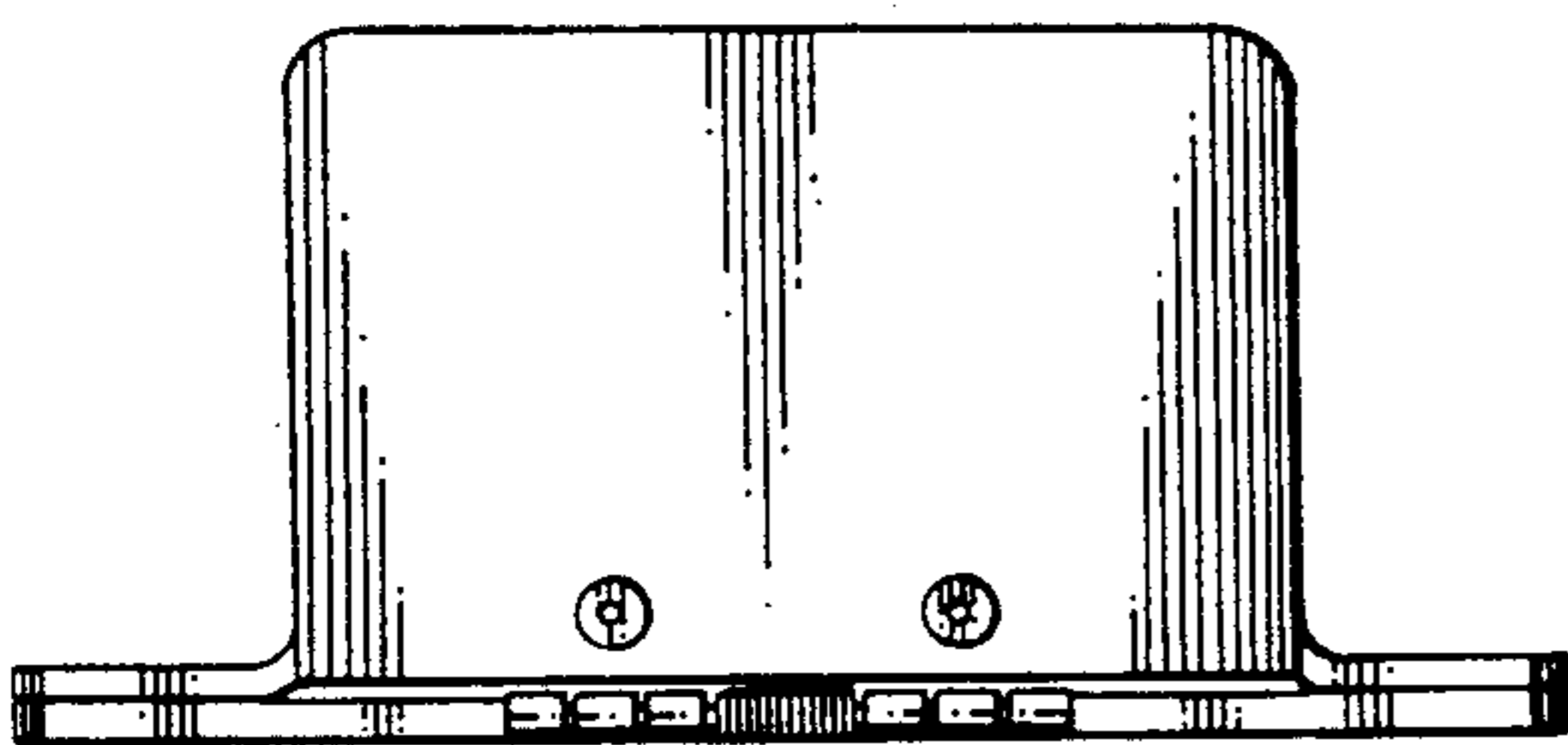


FIG. 2

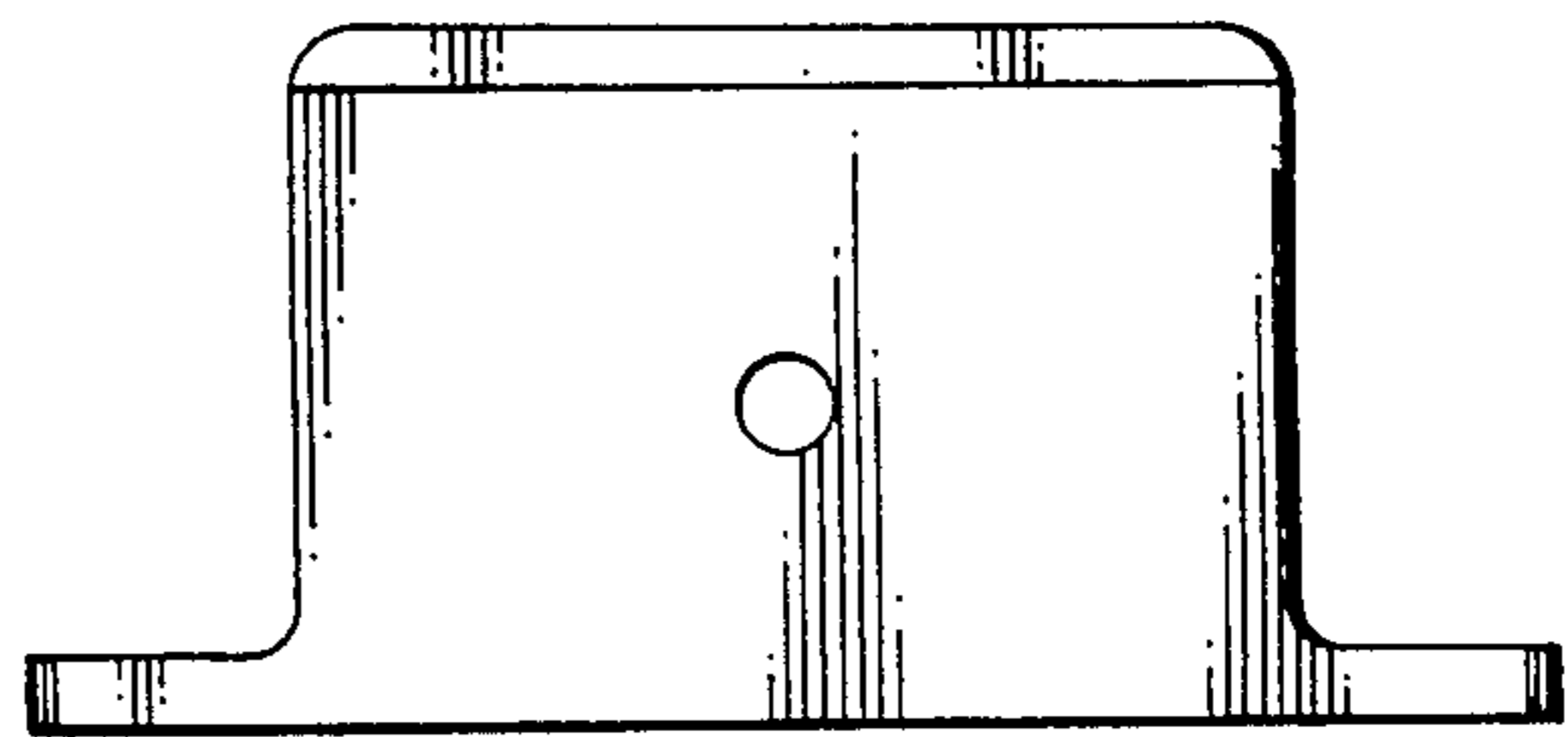


FIG. 3

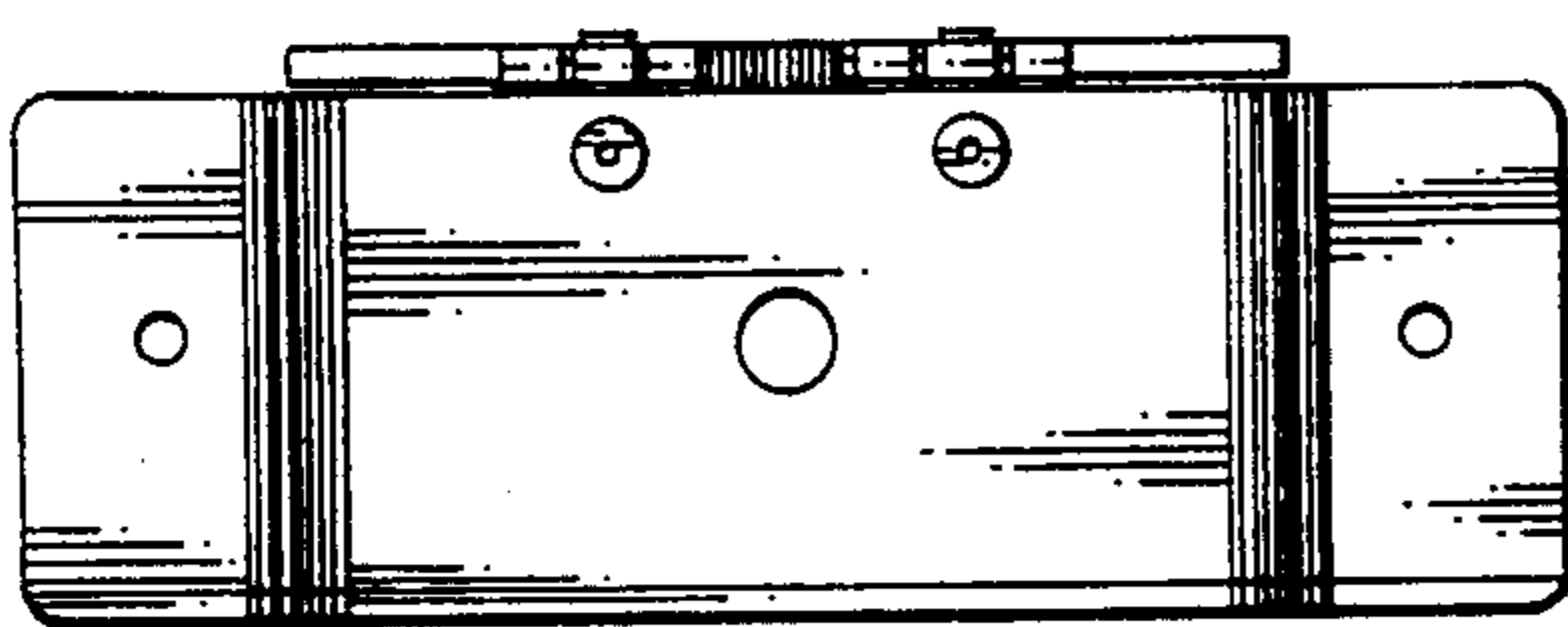


FIG. 4

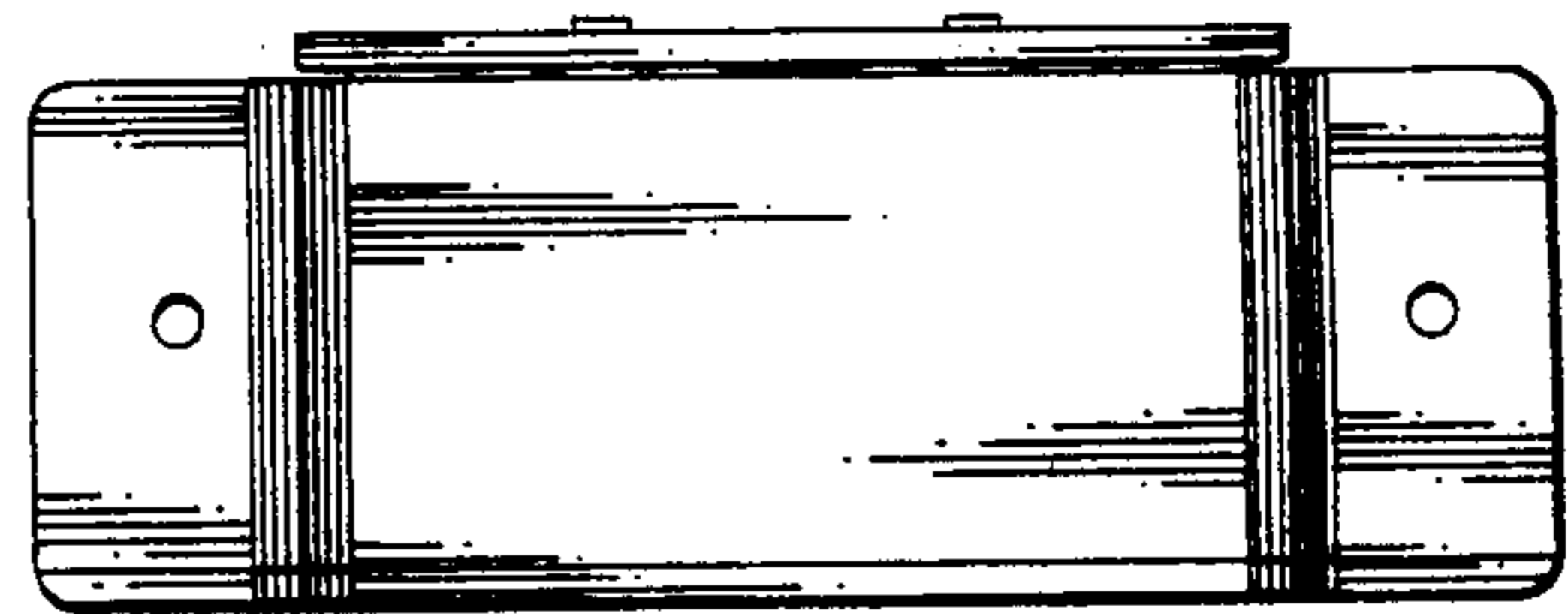


FIG. 5

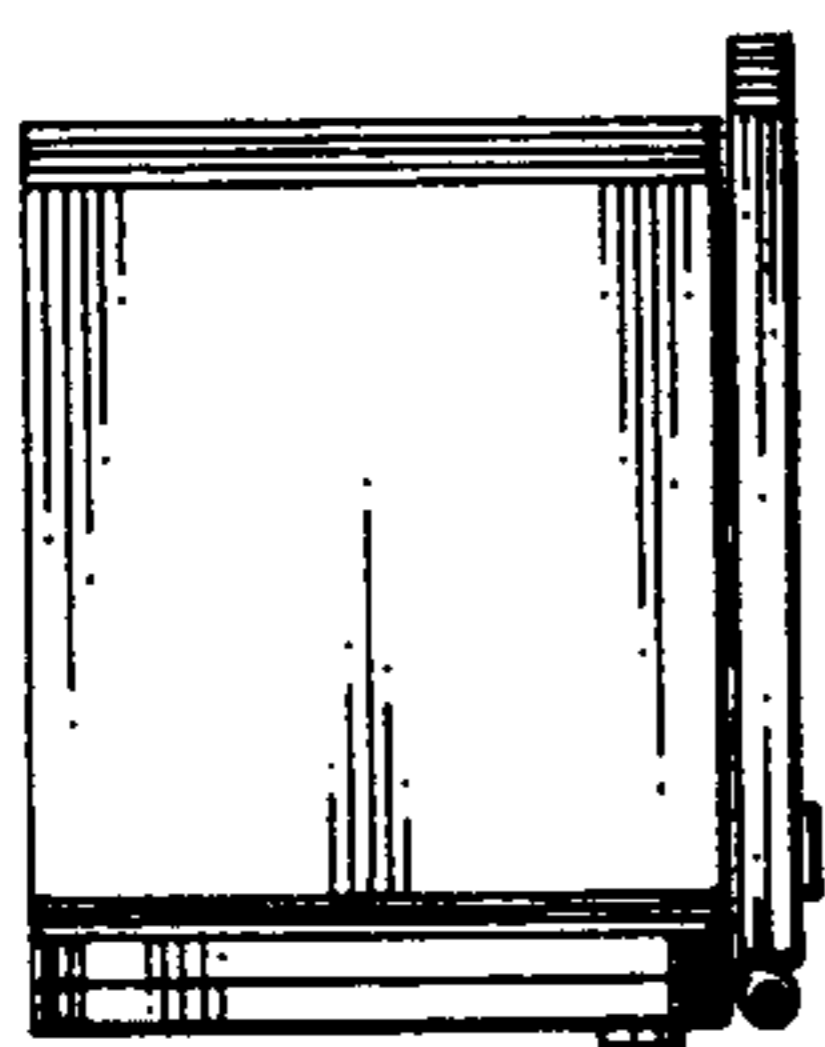


FIG. 6

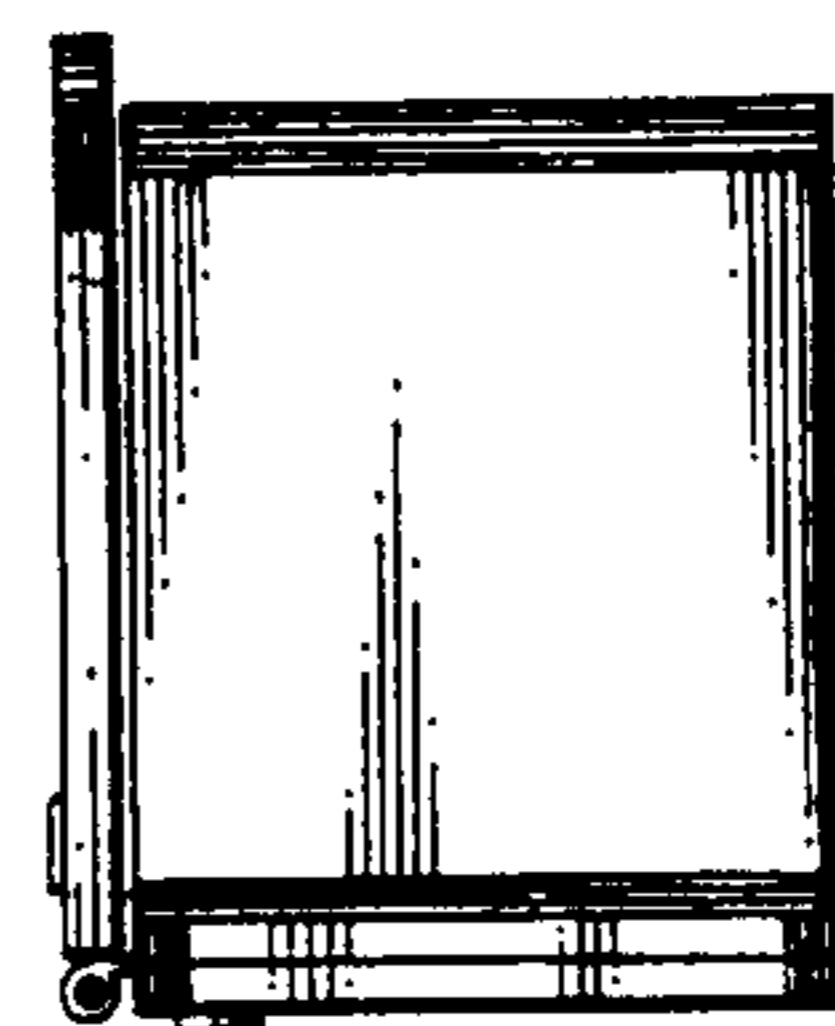


FIG. 7