



US00D332940S

United States Patent [19]

[11] Patent Number: **Des. 332,940**

Finlay

[45] Date of Patent: **** Feb. 2, 1993**

[54] HOLDER FOR SECURING CONNECTION OF ELECTRICAL EXTENTION CORDS

[75] Inventor: **Robert L. Finlay, Emporia, Kans.**

[73] Assignee: **BPE, Inc., Emporia, Kans.**

[**] Term: **14 Years**

[21] Appl. No.: **547,098**

[22] Filed: **Jul. 2, 1990**

[52] U.S. Cl. **D13/154; D13/156**

[58] Field of Search **D13/154, 156; 439/282, 439/367, 369; 174/91, 92, 154**

FOREIGN PATENT DOCUMENTS

1024138	2/1958	Fed. Rep. of Germany	174/91
0228304	2/1925	United Kingdom	174/92
2202692	9/1988	United Kingdom	439/367

Primary Examiner—Wallace R. Burke
Assistant Examiner—Joel Sincavage
Attorney, Agent, or Firm—Hovey, Williams, Timmons & Collins

[57] CLAIM

The ornamental design for a holder for securing connection of electrical extention cords, as shown and described.

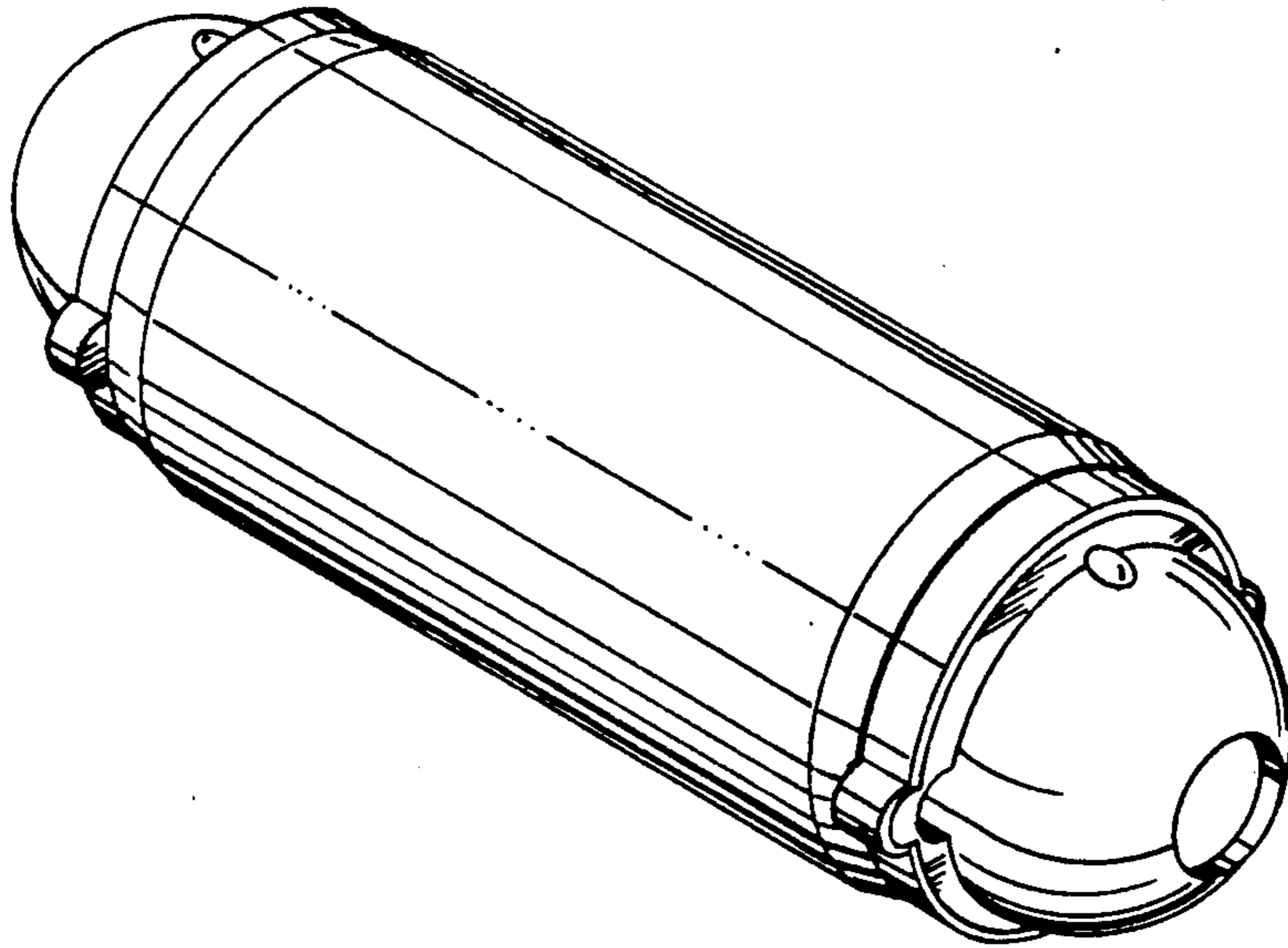
[56] References Cited

U.S. PATENT DOCUMENTS

D. 231,534	4/1974	Carder	D13/156
D. 296,779	7/1988	Watson	D13/156
2,437,358	3/1948	Mowery	174/92
3,030,601	4/1962	Krebs	439/369
3,059,209	10/1962	Bird	439/369
3,199,060	8/1965	Marasco	439/282
3,344,393	9/1967	Hrnde	439/369
3,846,725	11/1974	Mears, Jr.	174/92 X
4,143,934	3/1979	Siebert	439/369
4,643,505	2/1987	House et al.	439/369
4,998,891	3/1991	Bresko	439/367 X

DESCRIPTION

FIG. 1 is a top plan view of a holder for securing connection of electrical extension cords showing my new design. The broken line showing of the electrical cord is included for the purpose of illustrating environmental elements only and forms no part of the claimed design; FIG. 2 is a front elevational view thereof, the rear elevational view thereof being a mirror image; FIG. 3 is a left side elevational view thereof, the right side elevational view thereof being a mirror image; and, FIG. 4 is a perspective view thereof as seen from the front and upper left.



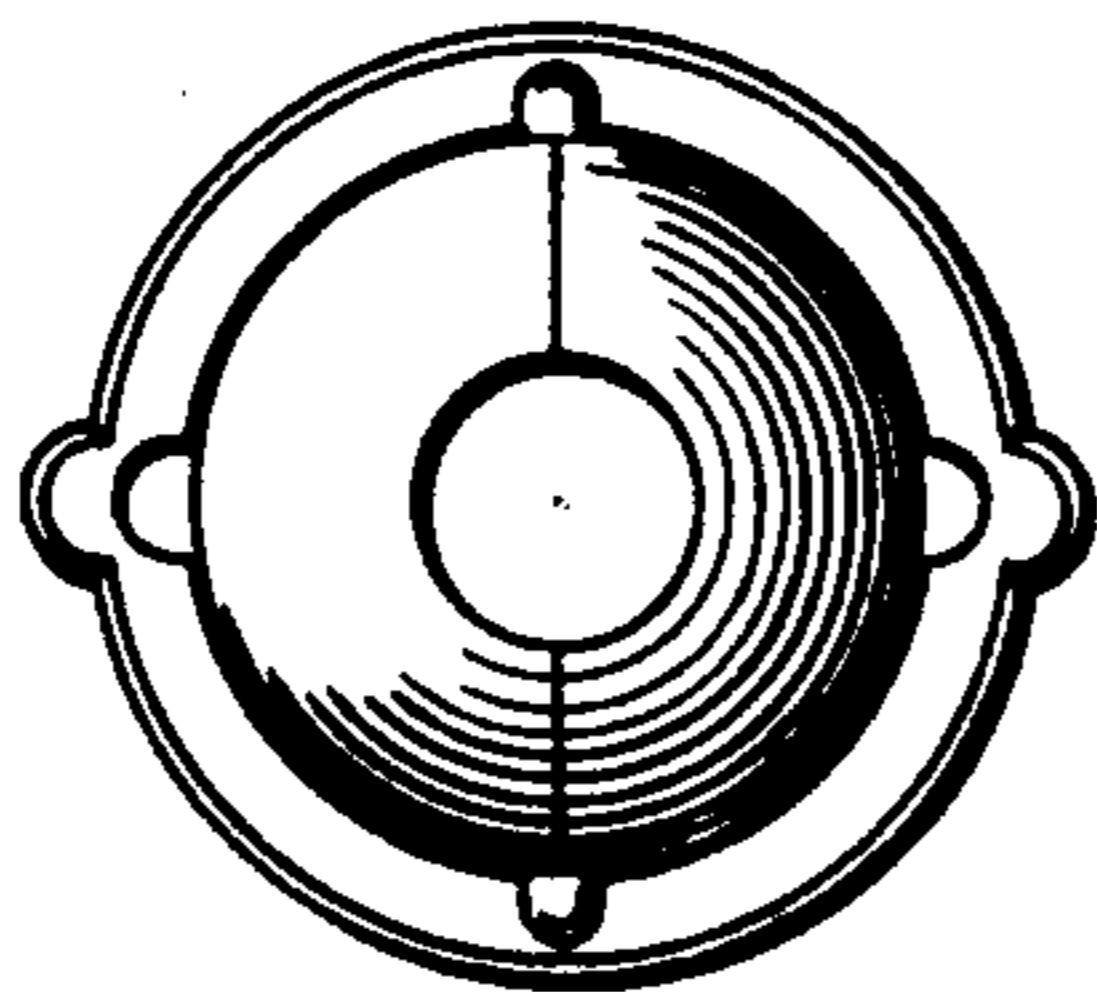
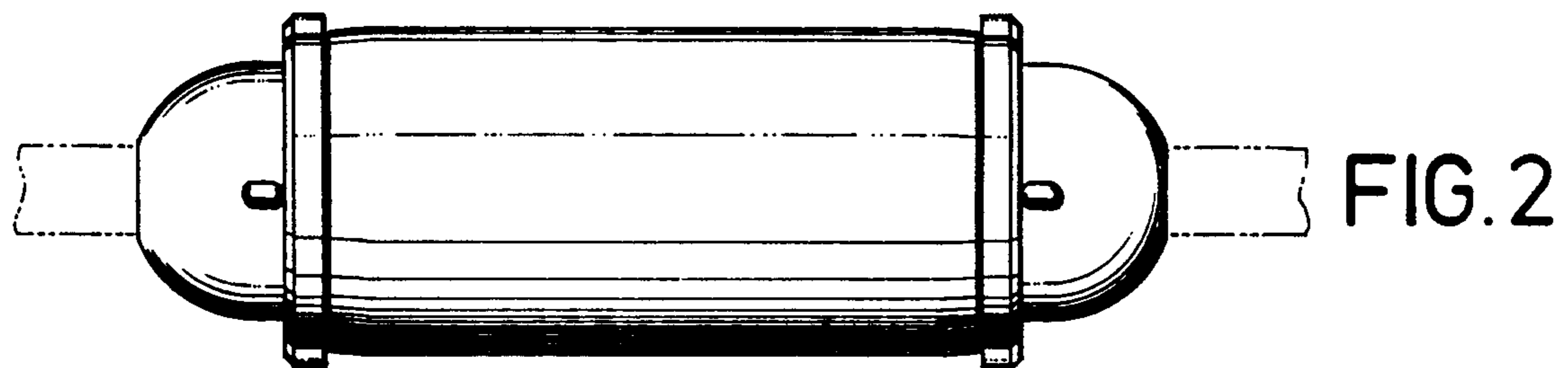
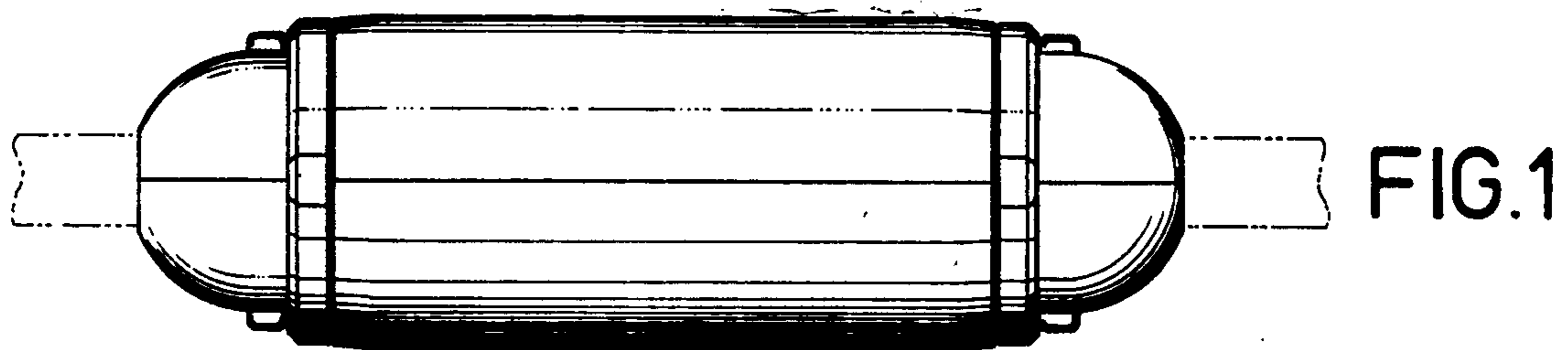


FIG. 3

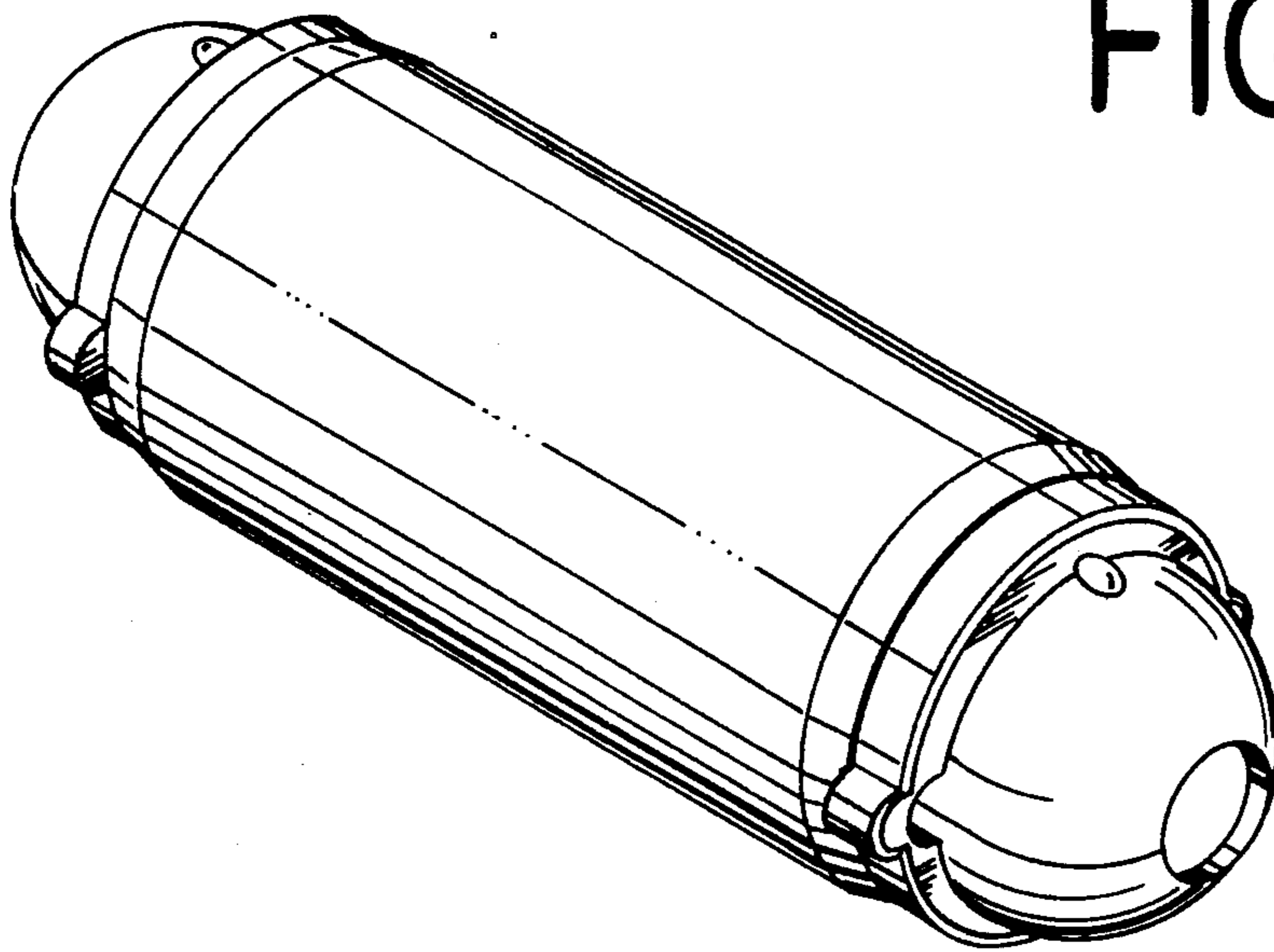


FIG. 4