



US00D332937S

# United States Patent [19]

[11] Patent Number: **Des. 332,937**

Priest et al.

[45] Date of Patent: **\*\* Feb. 2, 1993**

[54] **MOLDED PLUG**

4,657,333 4/1987 Anderson ..... 439/650  
4,673,230 6/1987 Baumgart ..... 439/135 X

[75] Inventors: **James D. Priest, New Paris, Ohio;**  
**Shakil U. Qureshi, Richmond, Tex.**

### FOREIGN PATENT DOCUMENTS

[73] Assignee: **Cooper Industries, Inc., Houston,**  
**Tex.**

0251570 10/1989 Japan ..... 439/651

[\*\*] Term: **14 Years**

### OTHER PUBLICATIONS

[21] Appl. No.: **471,984**

Plug in Monitron 2000 Ad on p. 76 of Atlantic Business Supply Catalog 1988.

[22] Filed: **Jan. 29, 1990**

*Primary Examiner*—Wallace R. Burke

[52] U.S. Cl. .... **D13/138**

*Assistant Examiner*—J. Sincavage

[58] Field of Search ..... **D13/137, 138, 139;**  
**439/135, 484, 502, 650, 651, 655, 660, 668, 692,**  
**699, 751**

*Attorney, Agent, or Firm*—Eddie F. Scott; William B. Patterson; Alan R. Thiele

[56] **References Cited**

### [57] CLAIM

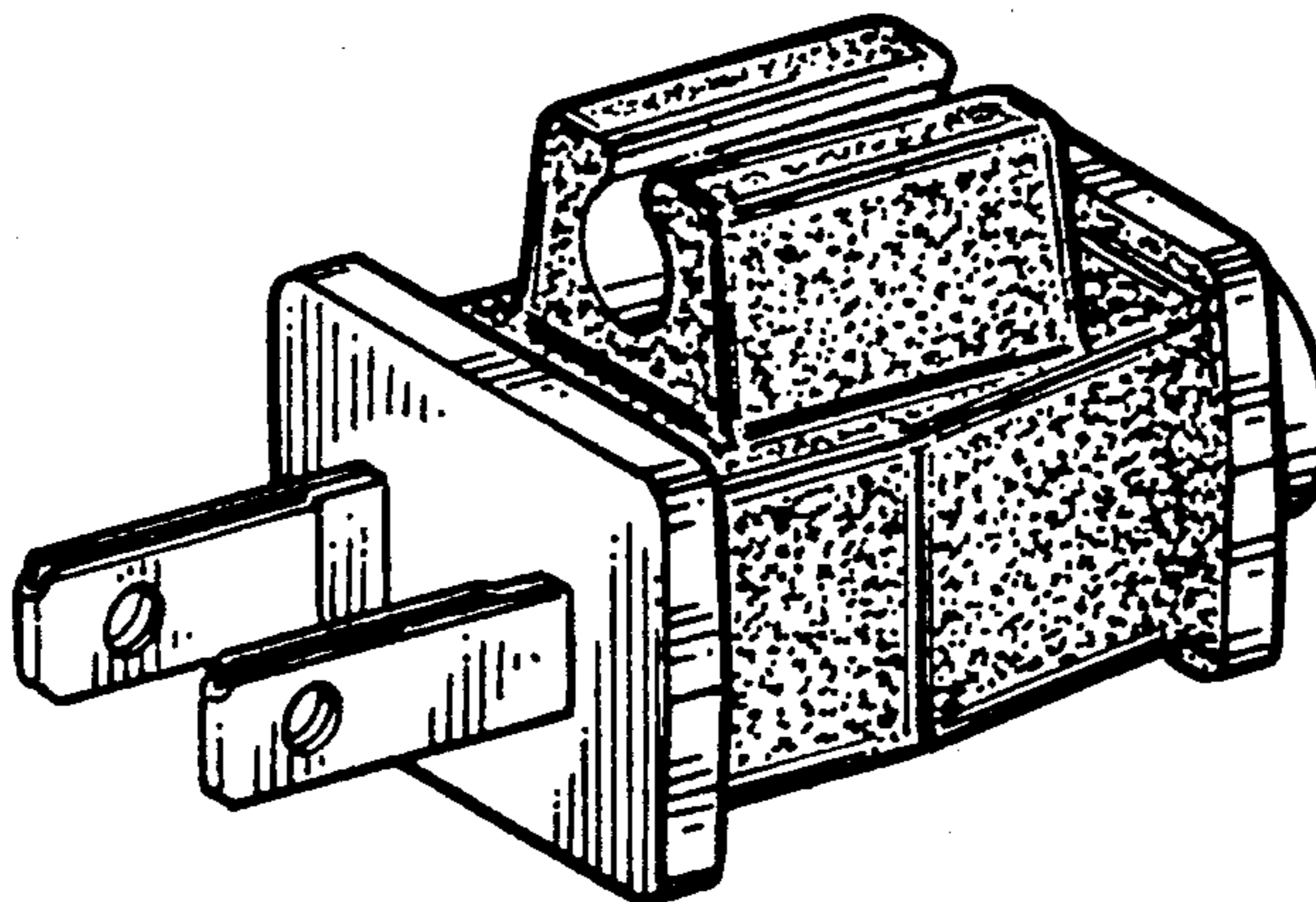
#### U.S. PATENT DOCUMENTS

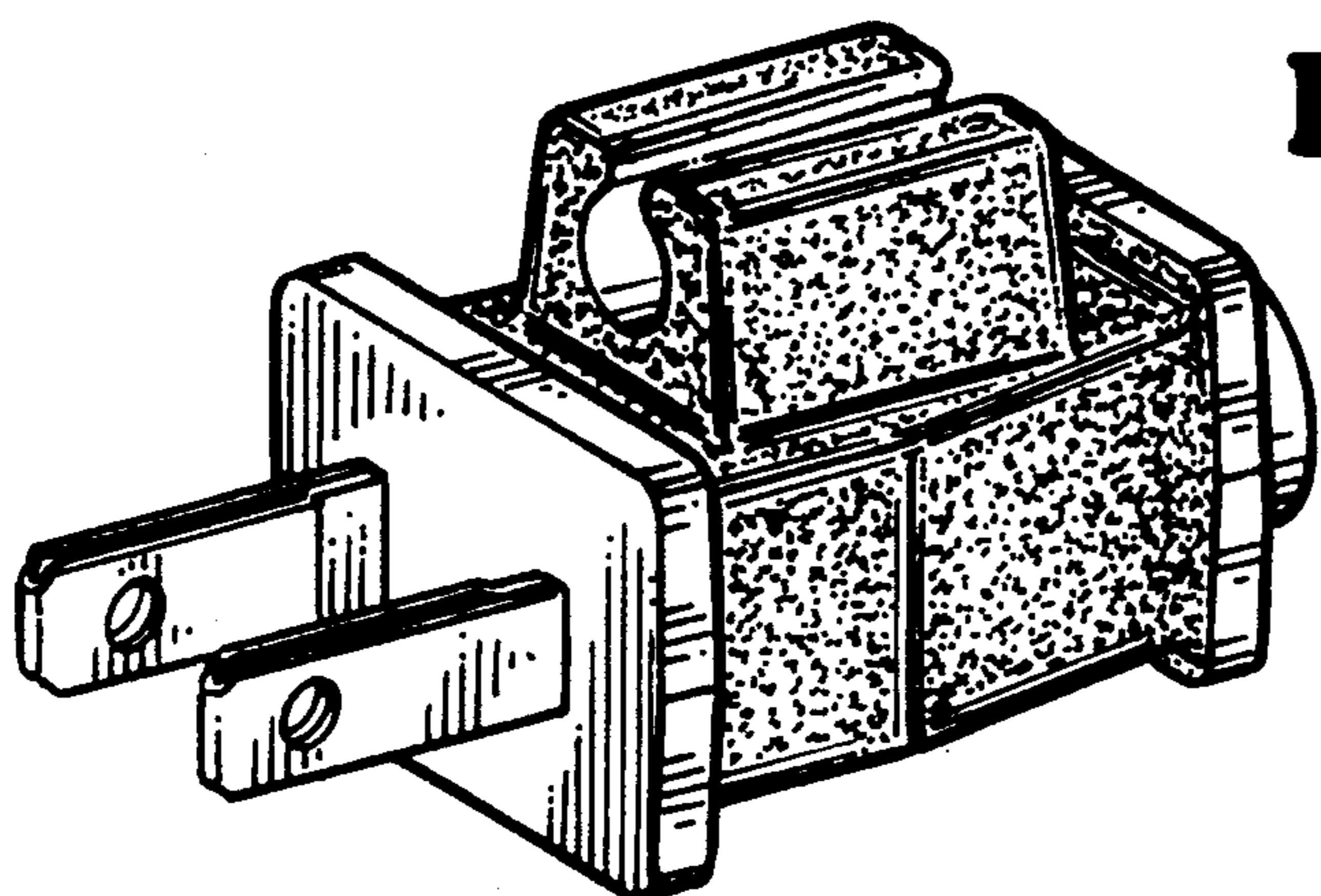
The ornamental design for a molded plug, as shown.

D. 237,889	12/1975	Lawrence	.....	D13/138
D. 258,429	3/1981	Buckler	.....	D13/138
D. 264,330	5/1982	Dumoulin	.....	D13/140
D. 266,559	10/1982	Gibbs	.....	D13/138
D. 278,705	5/1985	Nagelkerke et al.	.....	D13/138
D. 305,326	1/1990	Clayton, Jr.	.....	D13/138
D. 306,282	2/1990	Arehart et al.	.....	D13/138
2,597,600	5/1952	Shapiro	.....	439/651
2,728,897	12/1955	Dupre	.....	439/650

### DESCRIPTION

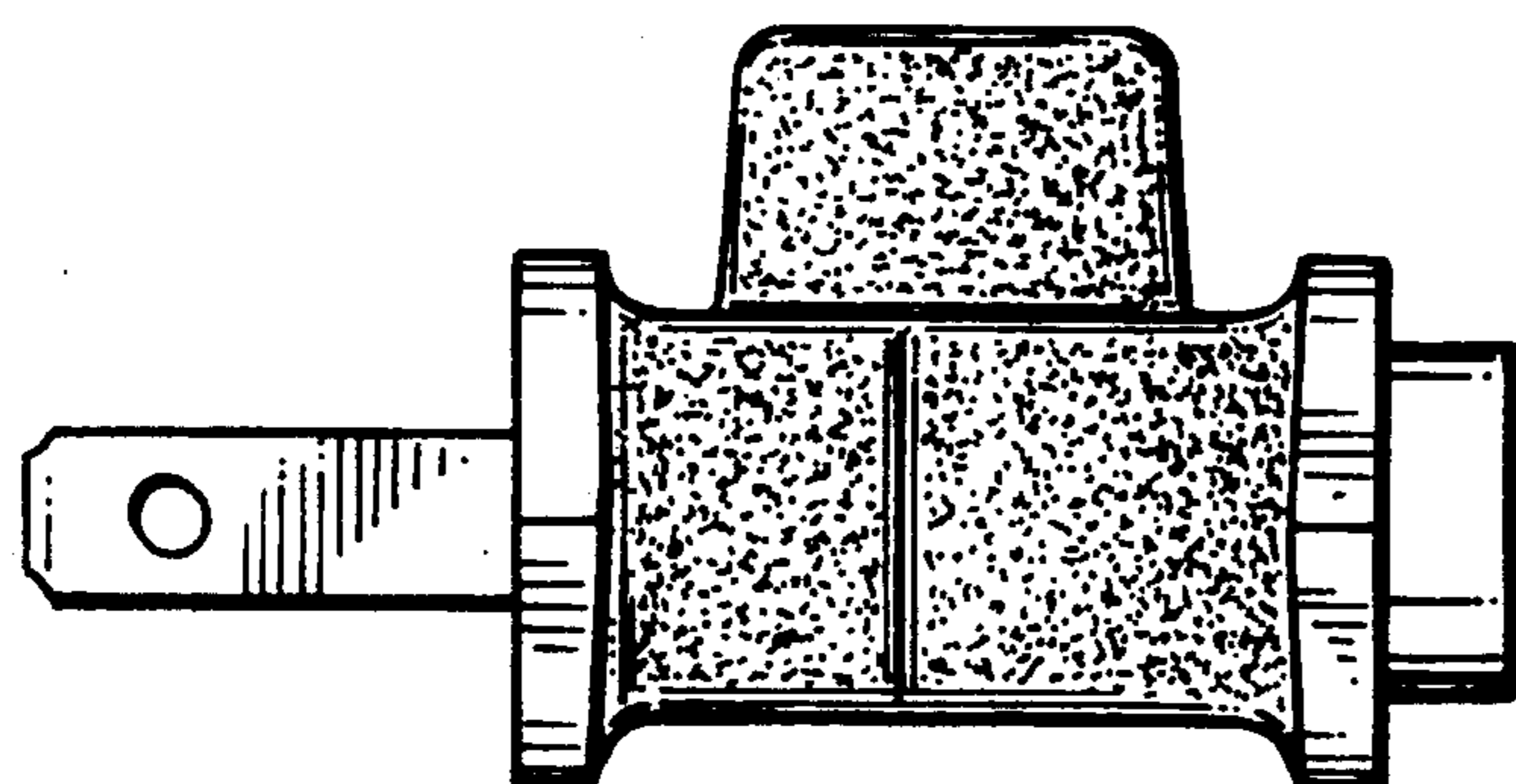
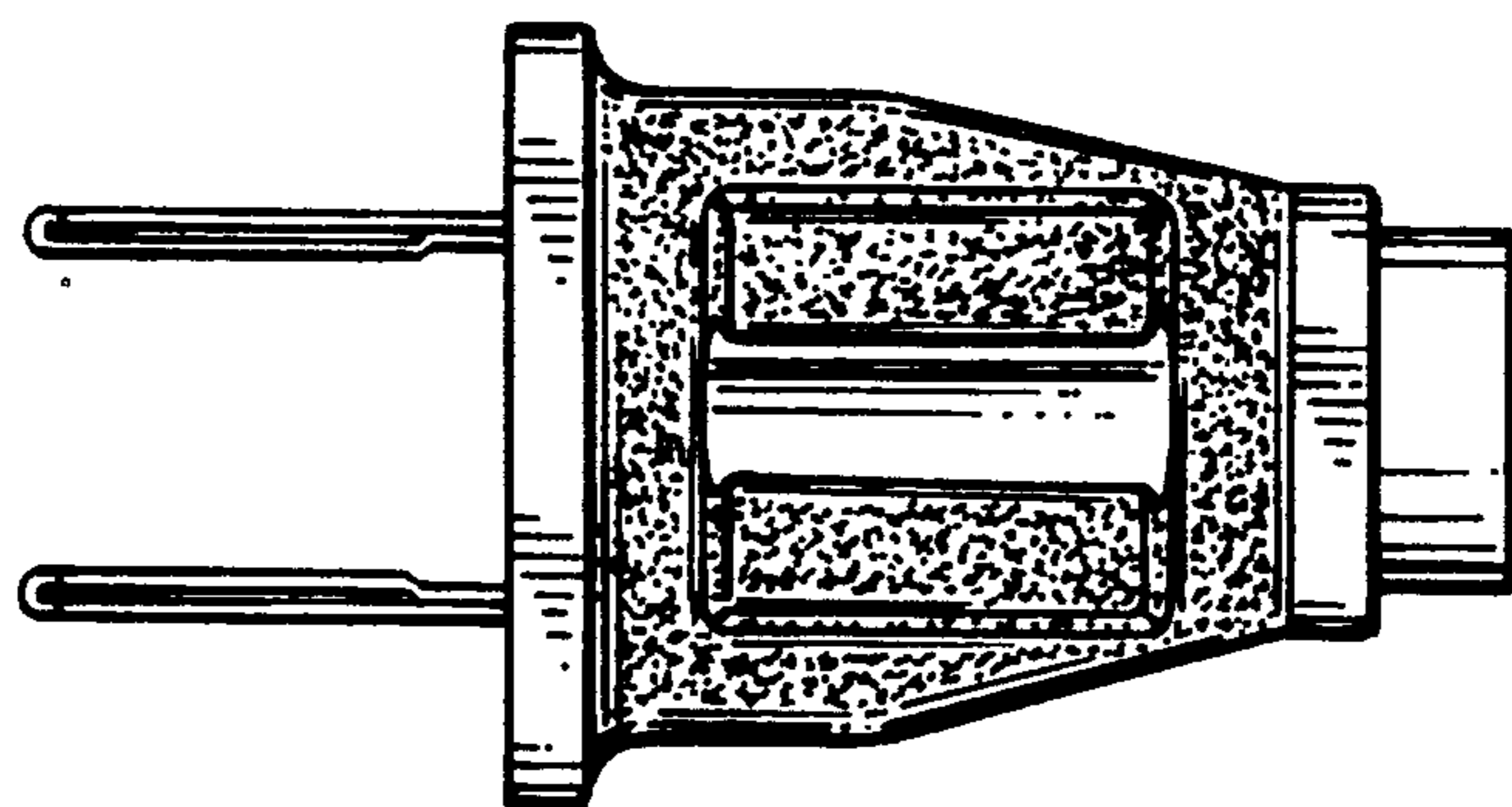
FIG. 1 is a top, front perspective view of a molded plug showing my new design;  
FIG. 2 is a top plan view thereof;  
FIG. 3 is a left side view thereof;  
FIG. 4 is a right side view thereof;  
FIG. 5 is a front elevational view thereof;  
FIG. 6 is a rear elevational view thereof; and,  
FIG. 7 is a bottom plan view thereof.





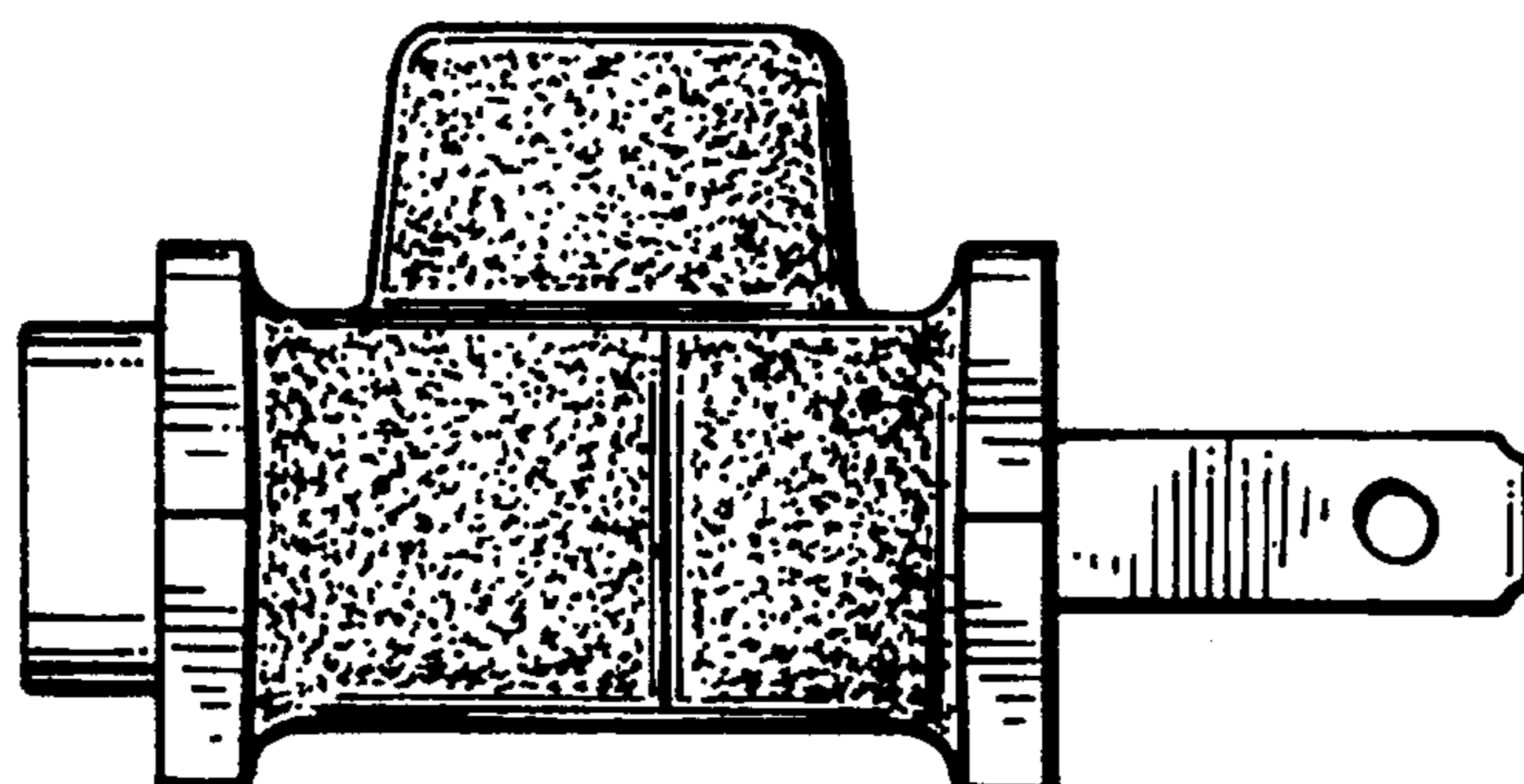
**Fig. 1**

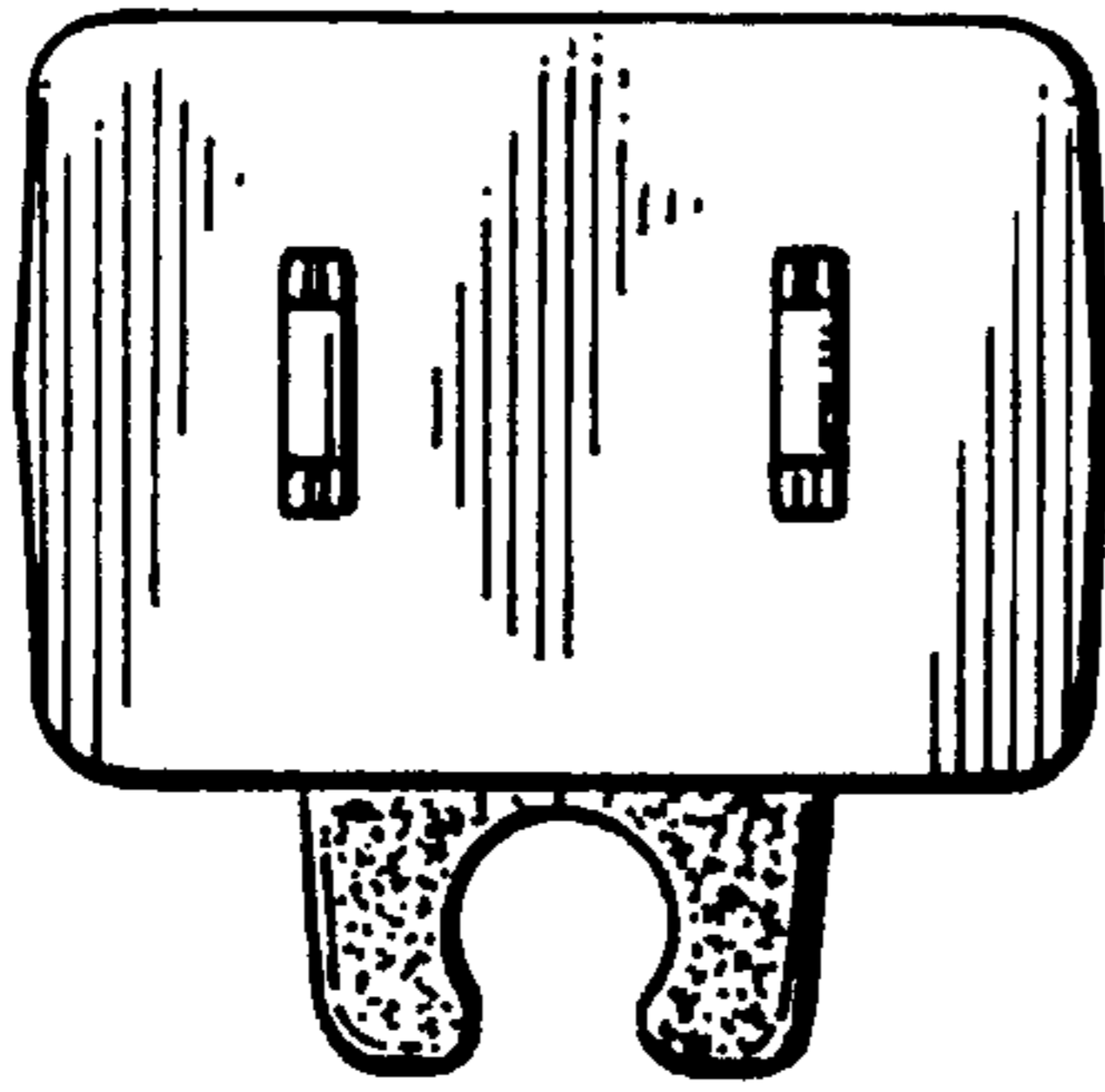
**Fig. 2**



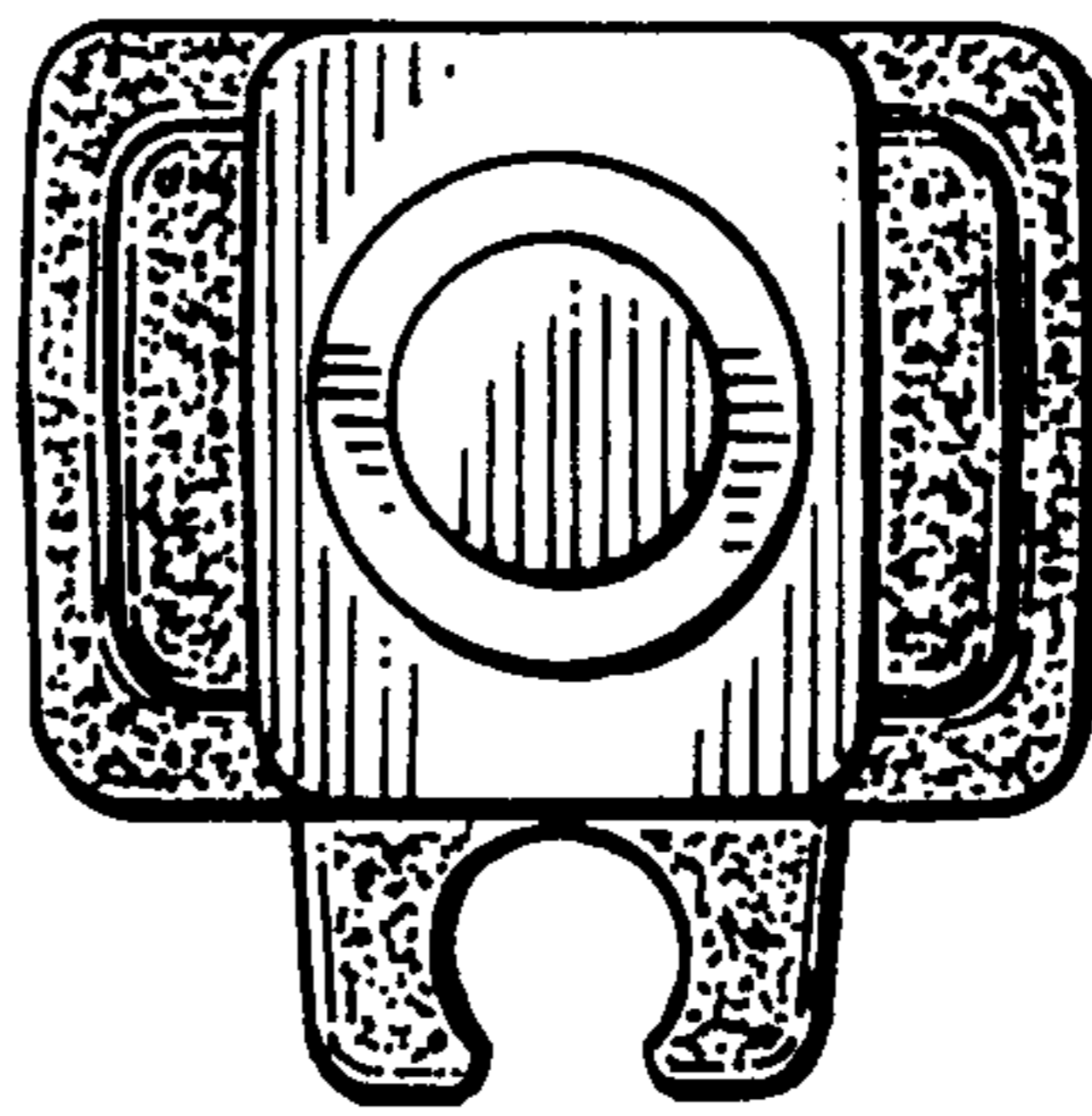
**Fig. 3**

**Fig. 4**

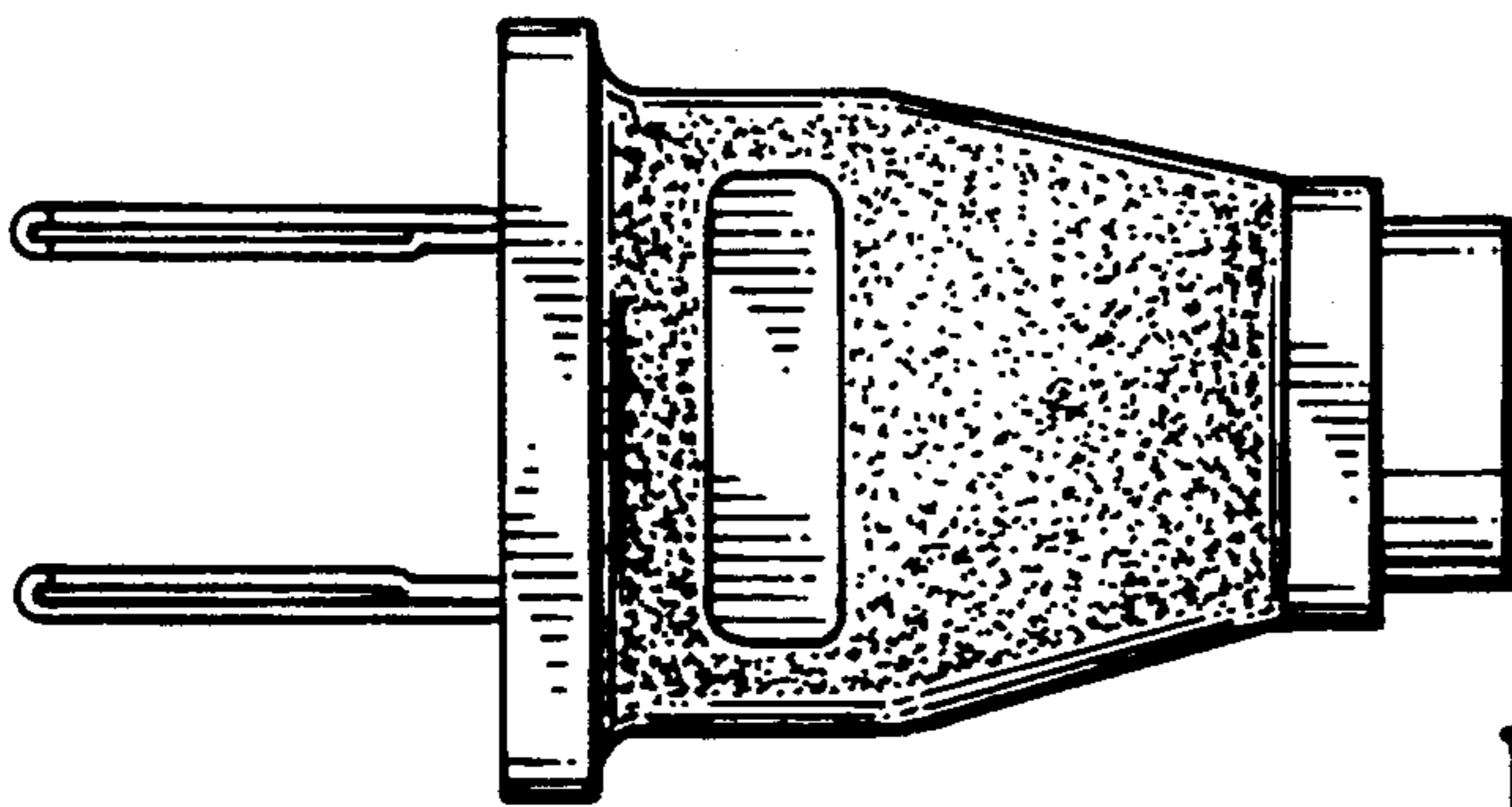




**Fig. 5**



**Fig. 6**



**Fig. 7**