



US00D332936S

United States Patent [19]

[11] Patent Number: Des. 332,936

Lawrence

[45] Date of Patent: ** Feb. 2, 1993

[54] FLUID POWER ELECTRICITY GENERATOR

4,740,725 4/1988 Charron .

[76] Inventor: David Lawrence, P.O. Box 74,
Modoc, S.C. 29838

FOREIGN PATENT DOCUMENTS

[**] Term: 14 Years

58-83215 5/1983 Japan .
63-117670 4/1986 Japan .
2081521 2/1982 United Kingdom .

[21] Appl. No.: 511,532

OTHER PUBLICATIONS

[22] Filed: Apr. 20, 1990

Lightning Bolts in Toy Locomotive Ad on p. 86 of 1977
Hong Kong Toys.

[52] U.S. Cl. D13/112

Aquarius Symbol on p. 214 of Henty Dryfuss Symbol
Sourcebook copyright 1972.

[58] Field of Search D13/112, 114; D23/233,
D23/245, 248; 310/11, 40 R, 52, 75 R; 251/315

[56] References Cited

U.S. PATENT DOCUMENTS

D. 166,472	4/1952	Kaplan	D2/321
D. 273,034	3/1984	Higgins	D23/245
D. 291,230	8/1987	Kunz	D23/245
D. 297,254	8/1988	Odate et al.	D23/248
D. 309,175	7/1990	Hastings et al.	D23/245
2,463,538	3/1949	Horrell	310/75
3,580,268	9/1968	Shafer	251/315 X
3,819,149	6/1974	Kinder	251/315 X
3,893,469	7/1975	Baker	251/315 X
3,912,955	10/1975	Simpson	D13/114 X
4,177,832	12/1979	Price	251/315 X
4,405,872	9/1983	Thomas .	
4,500,805	2/1985	Swanson .	
4,644,246	2/1987	Knapen .	
4,667,928	5/1987	Davatz et al.	251/315

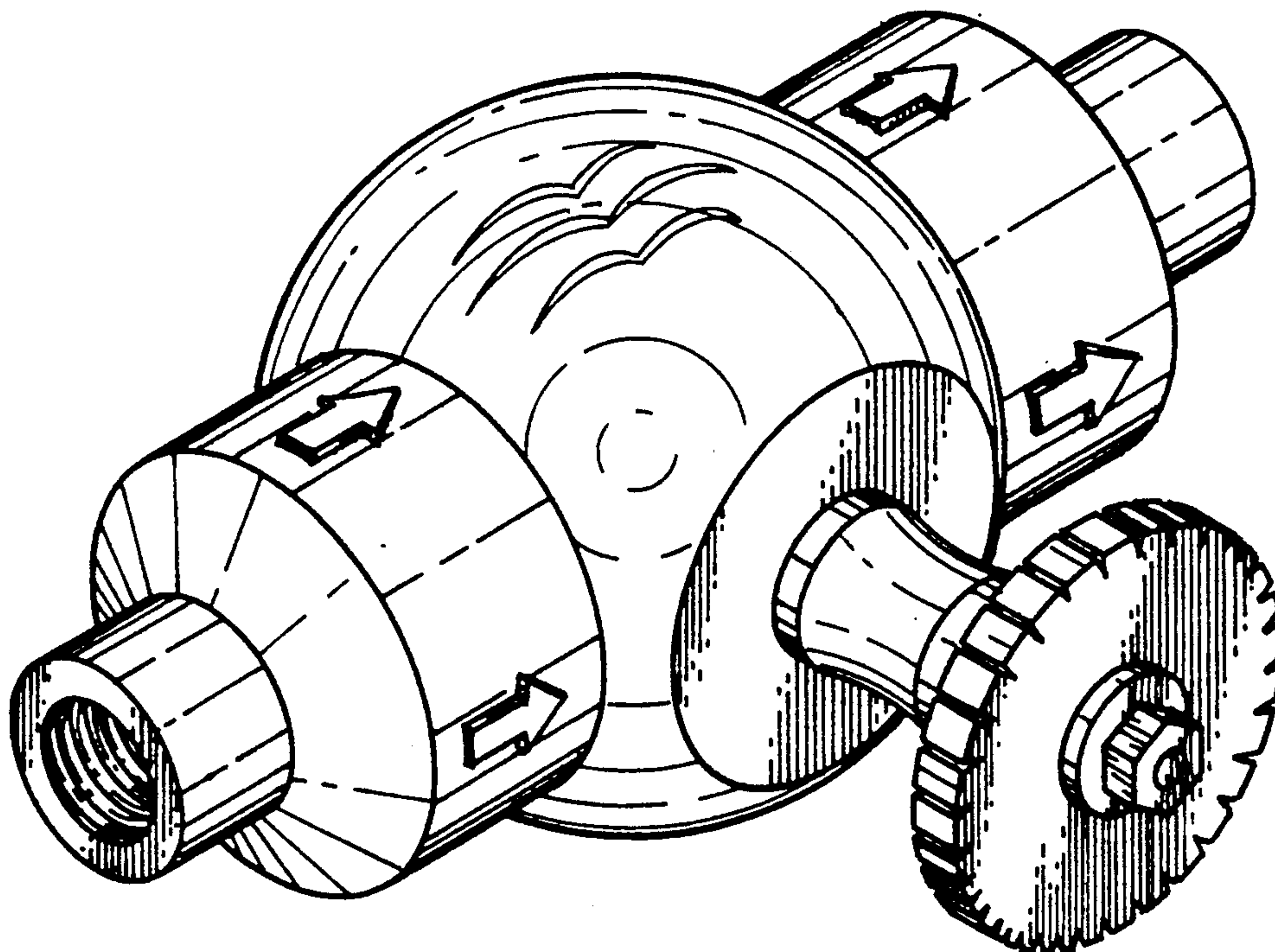
Primary Examiner—Wallace R. Burke
Assistant Examiner—Joel Sincavage
Attorney, Agent, or Firm—Terry M. Gernstein

[57] CLAIM

The ornamental design for a fluid power electricity generator, as shown and described.

DESCRIPTION

FIG. 1 is a front and upper left perspective view of a fluid power electricity generator showing my new design;
FIG. 2 is a front elevational view thereof;
FIG. 3 is a rear elevational view thereof;
FIG. 4 is a top plan view thereof; and,
FIG. 5 is a left end elevational view thereof, the right end elevational view thereof being a mirror image.



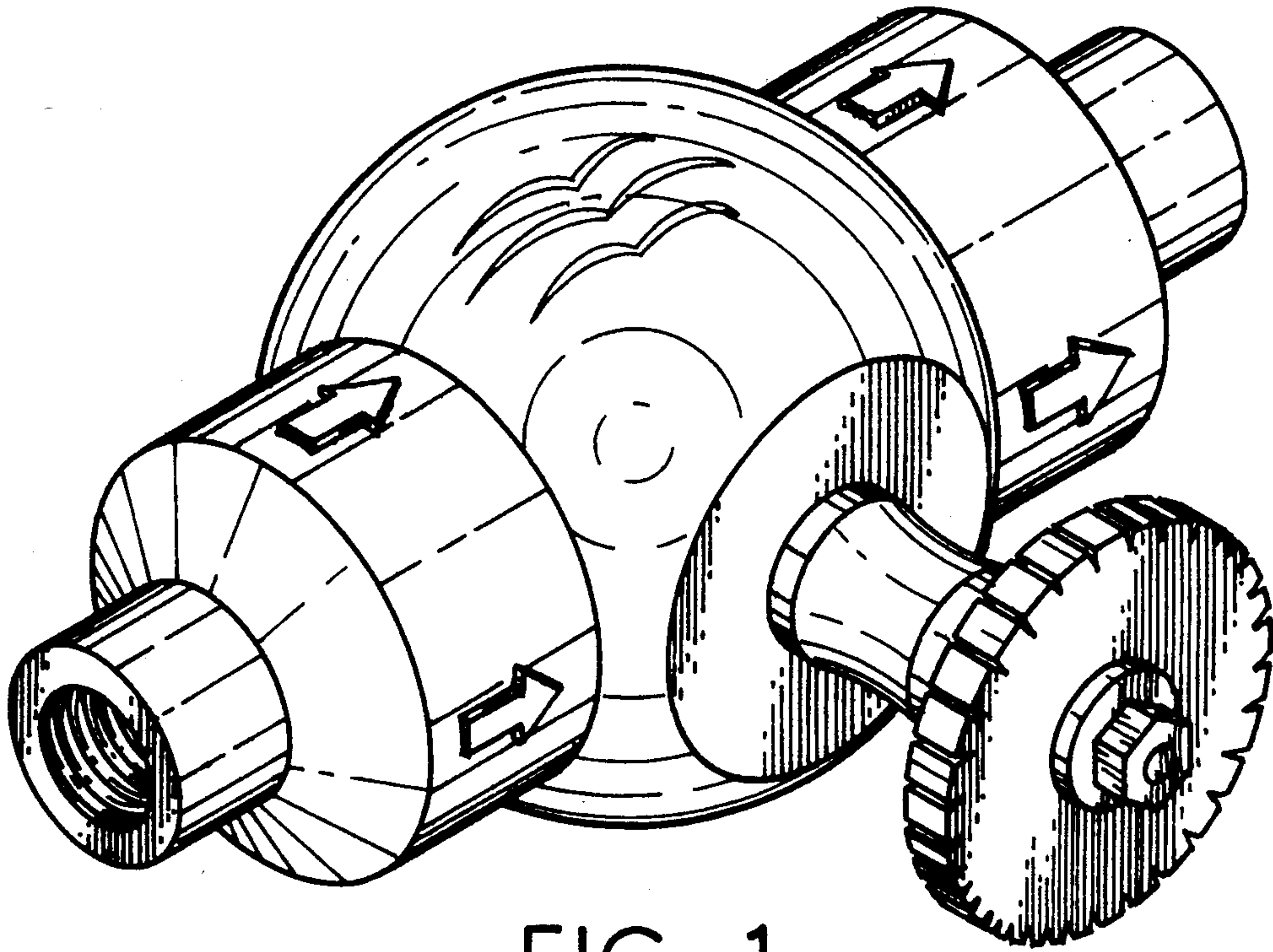


FIG. 1

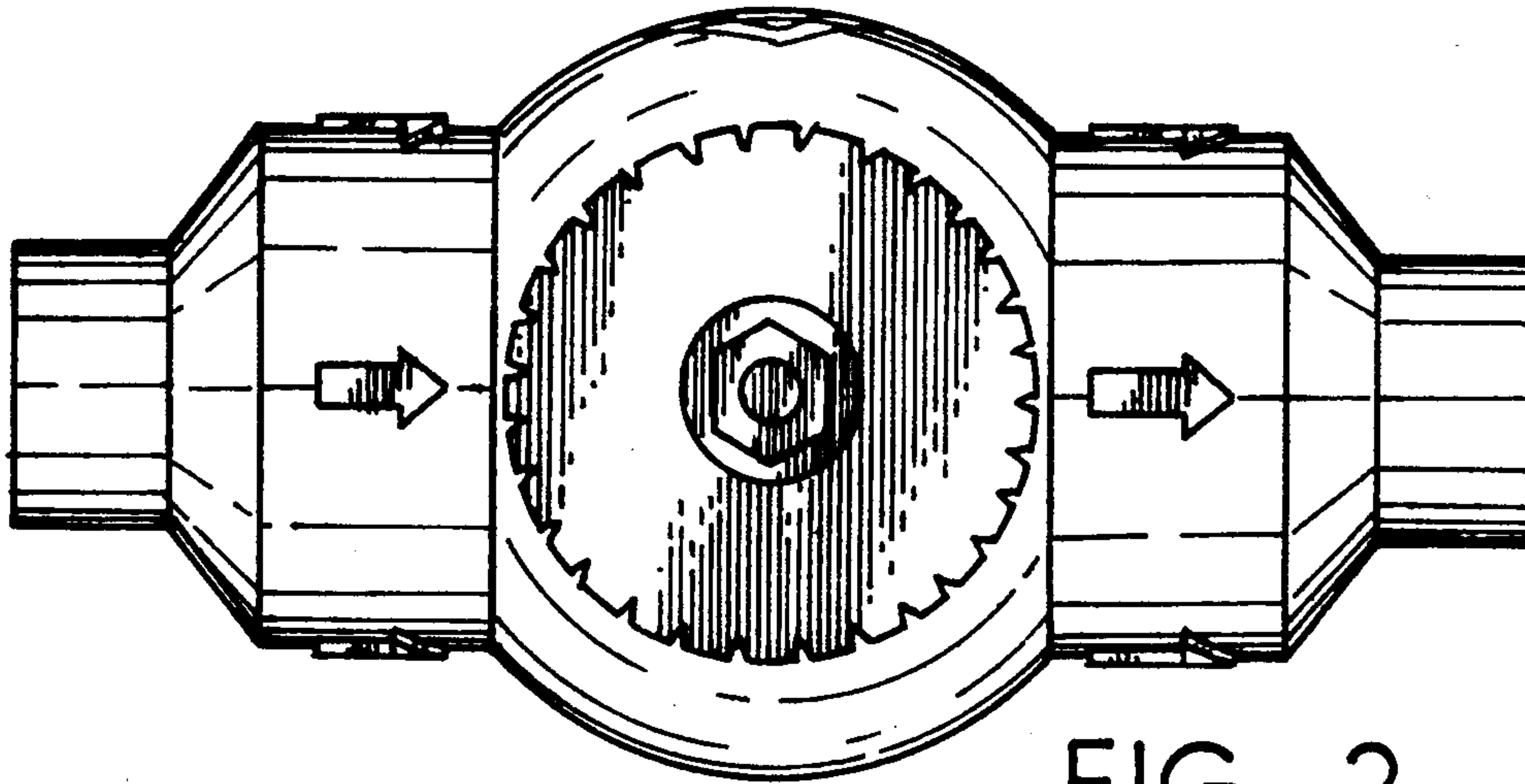


FIG. 2

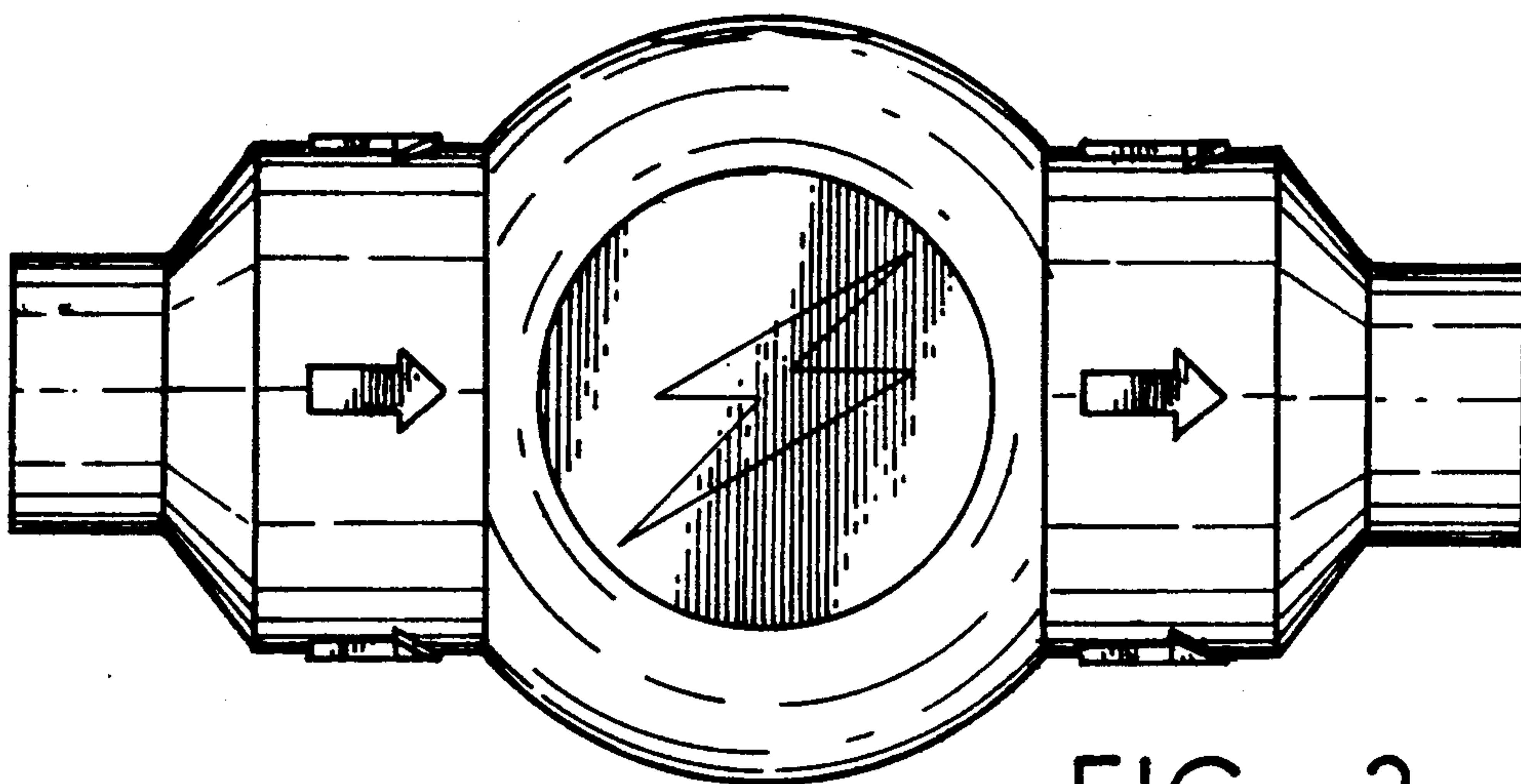


FIG. 3

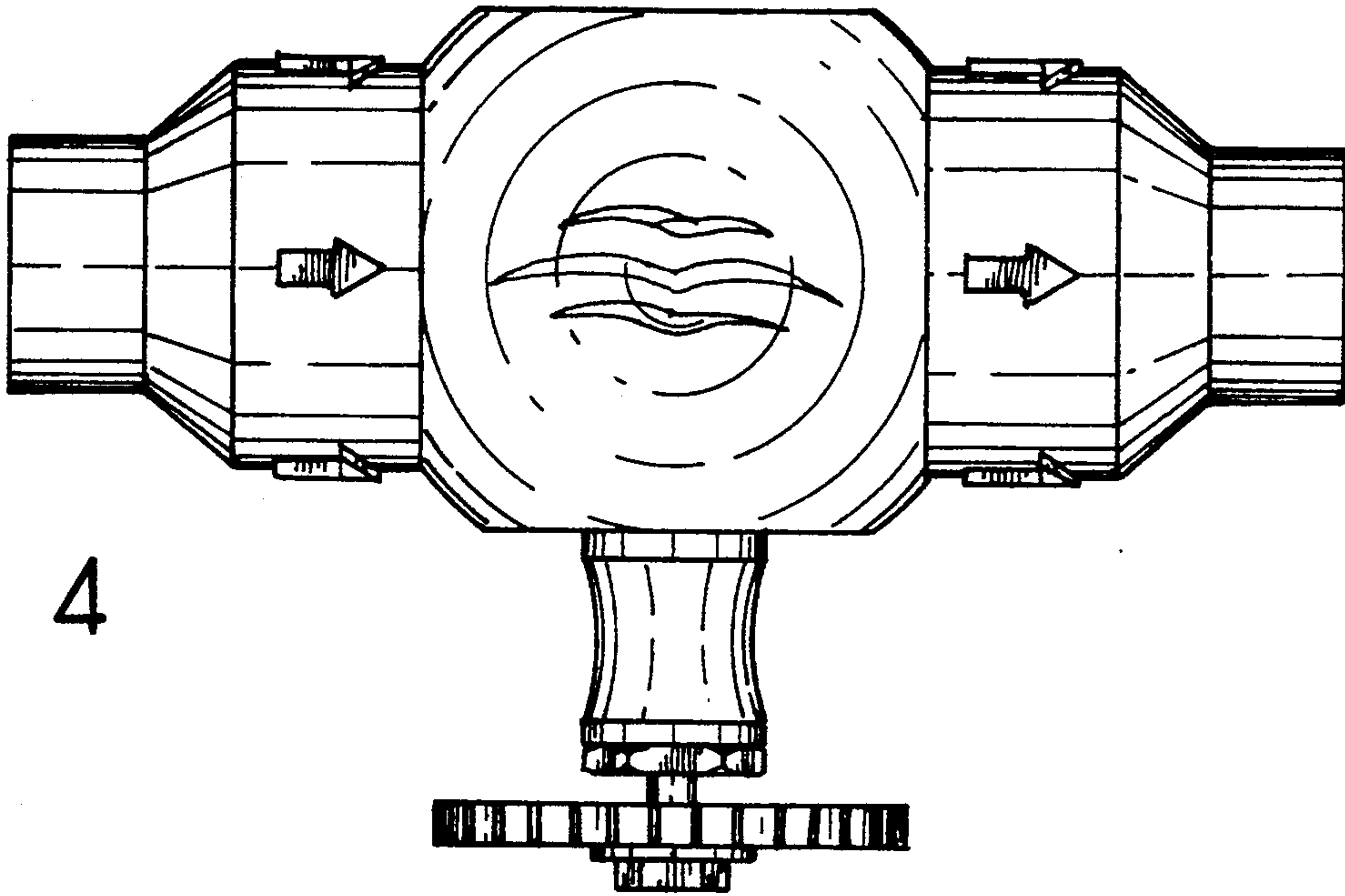


FIG. 4

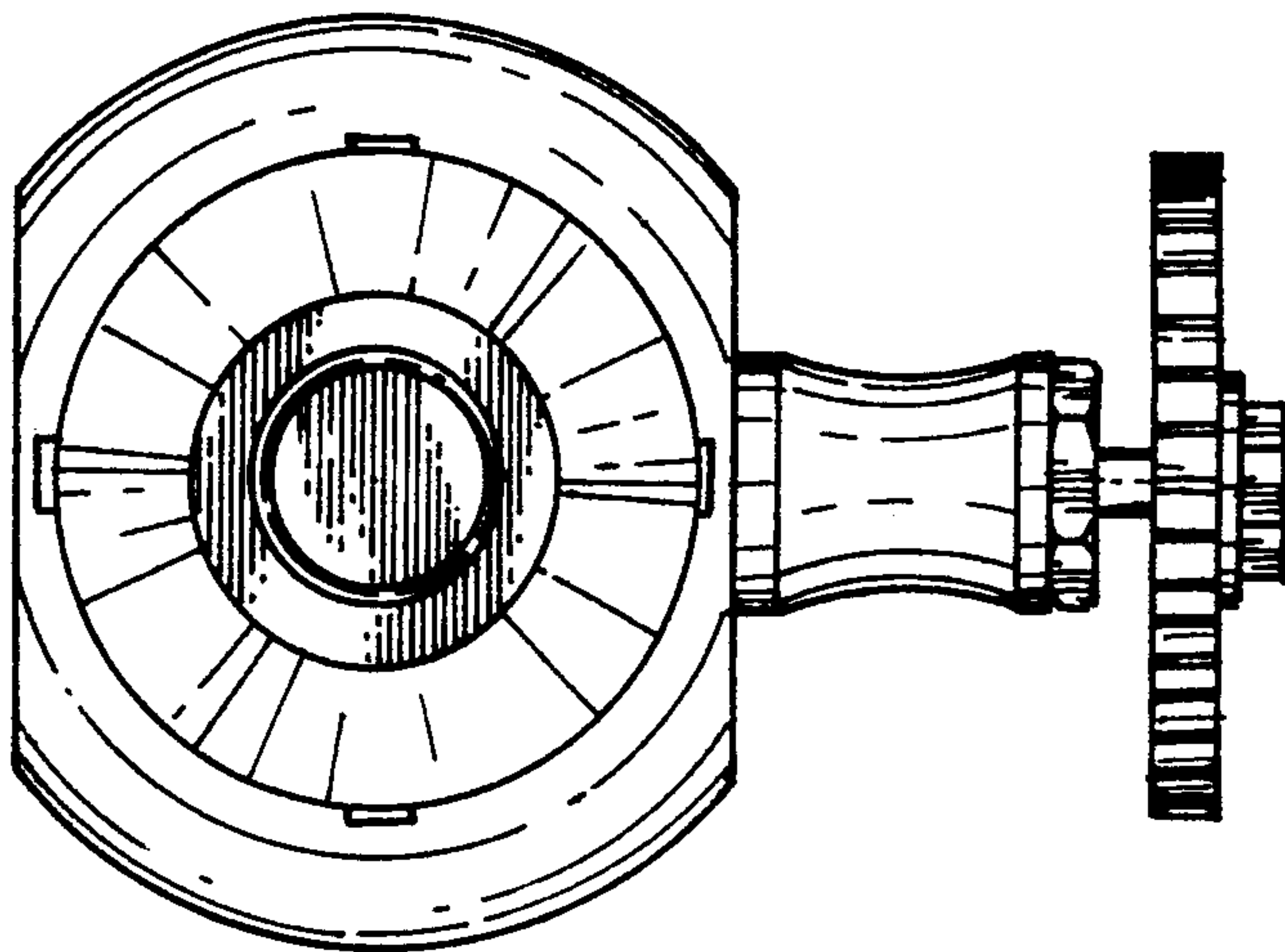


FIG. 5