



US00D332935S

# United States Patent [19]

[11] Patent Number: **Des. 332,935**

Moore

[45] Date of Patent: **\*\* Feb. 2, 1993**

[54] COVER FOR BOAT PASSENGER AREA

4,926,782 5/1990 Lacy ..... 114/361  
5,009,184 4/1991 Voldrich ..... 114/361

[76] Inventor: Laverne Moore, P.O. Box 184,  
Lumberbridge, N.C. 28357

Primary Examiner—Kay H. Chin  
Attorney, Agent, or Firm—Terry M. Gernstein

[\*\*] Term: 14 Years

[21] Appl. No.: 592,868

[57] CLAIM

[22] Filed: Oct. 4, 1990

The ornamental design for a cover for boat passenger area, as shown and described.

[52] U.S. Cl. .... D12/317

[58] Field of Search ..... D12/317, 318; 114/343,  
114/361, 364; 296/156, 84.1

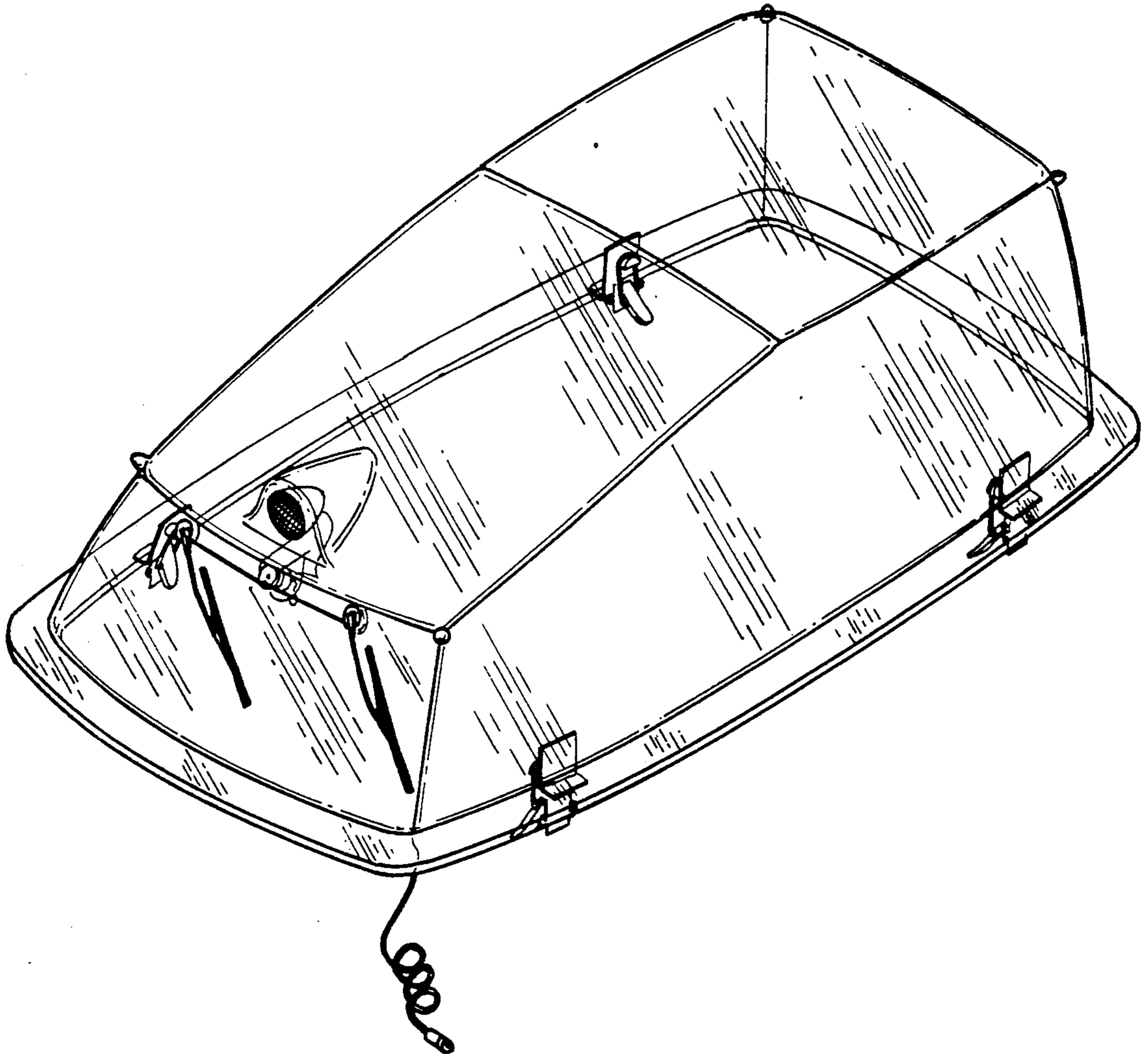
DESCRIPTION

[56] References Cited

U.S. PATENT DOCUMENTS

3,793,436 3/1974 Moore .  
4,474,131 10/1984 Buirski .  
4,567,845 2/1986 Smith .  
4,671,203 6/1987 Sanburg ..... 114/343

FIG. 1 is top, front, and left side perspective view of a cover for boat passenger area showing my new design; FIG. 2 is a front elevational view thereof; FIG. 3 is a rear elevational view thereof; FIG. 4 is a left side elevational view thereof, the right side elevational view being a mirror image of that shown; and, FIG. 5 is a top plan view thereof.



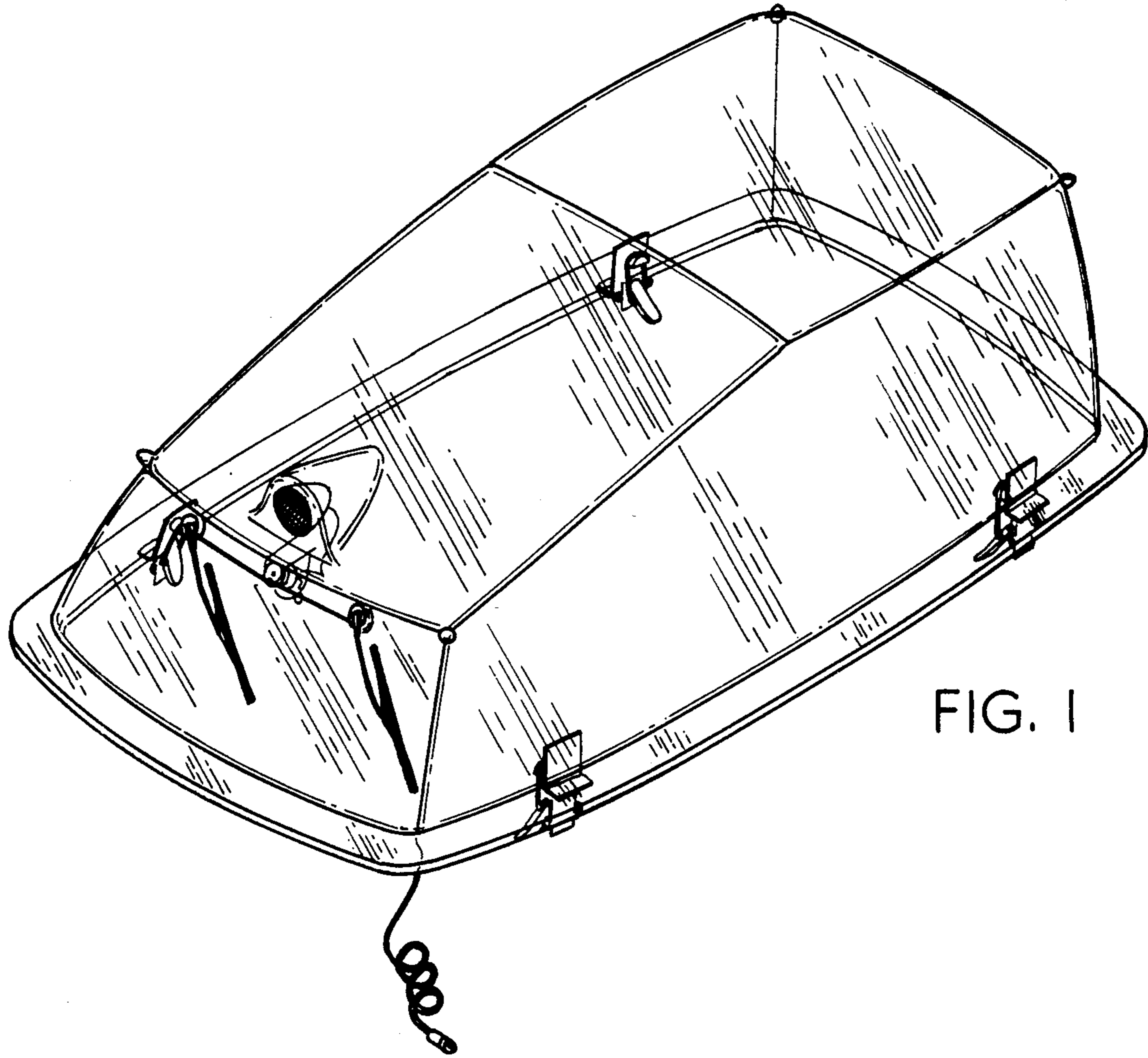


FIG. 1

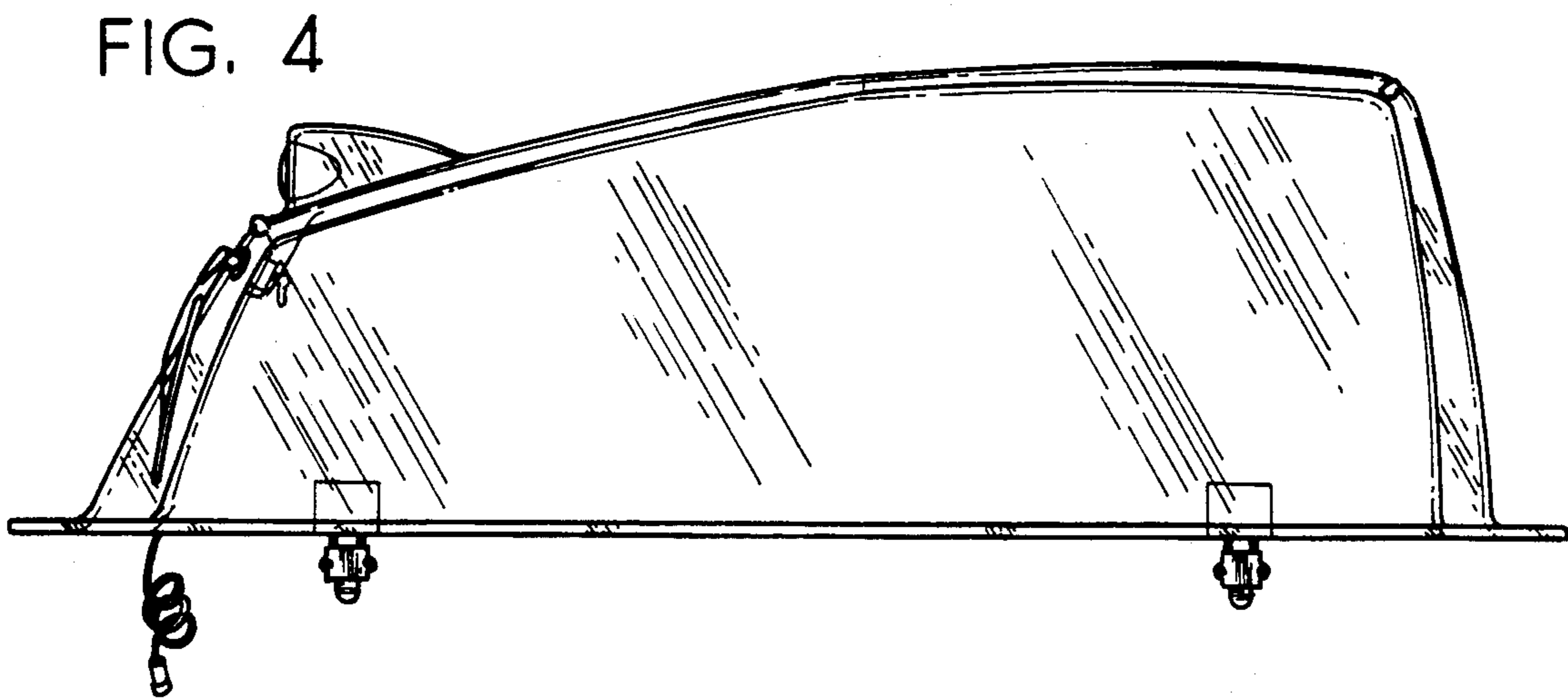


FIG. 4



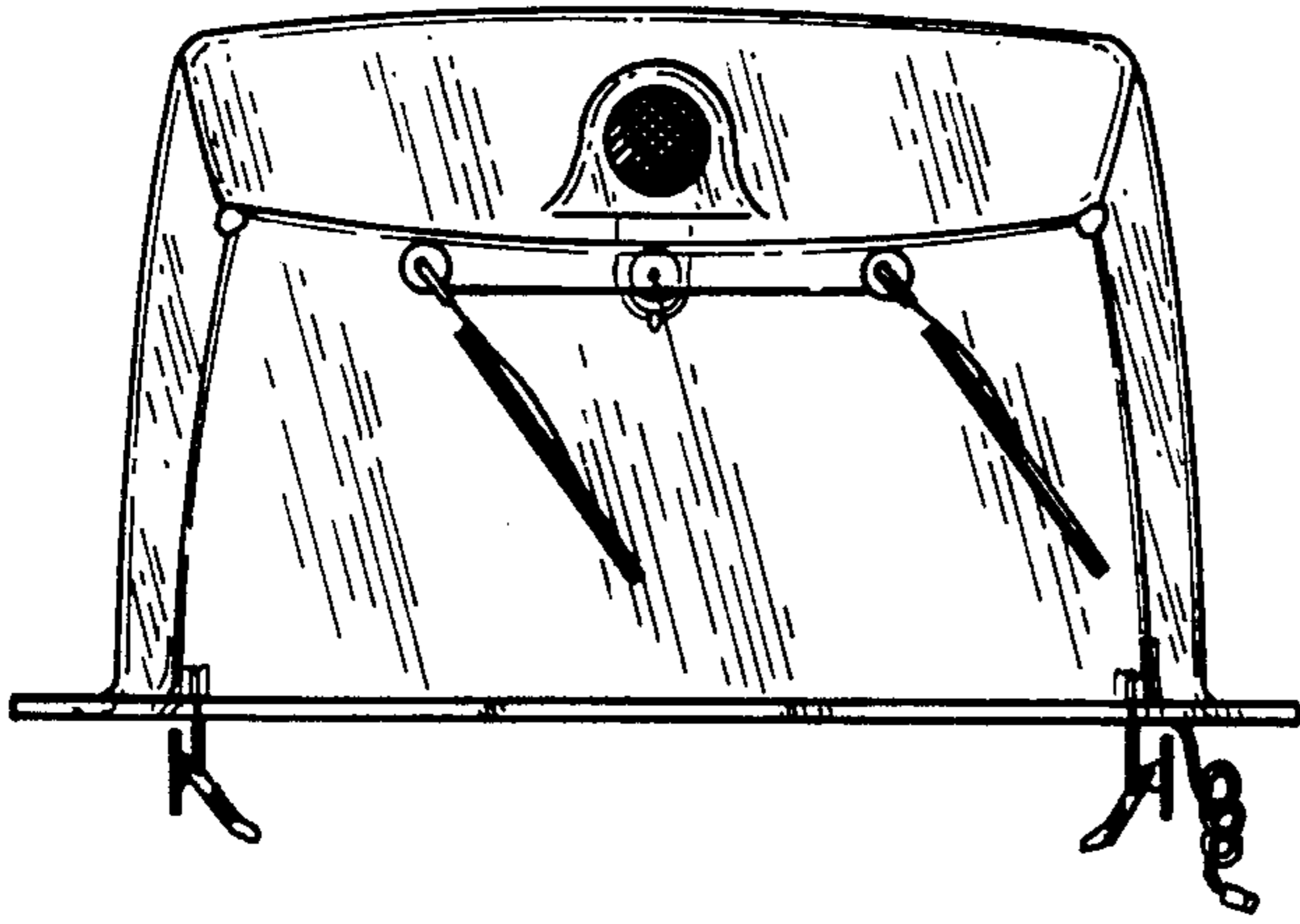


FIG. 2

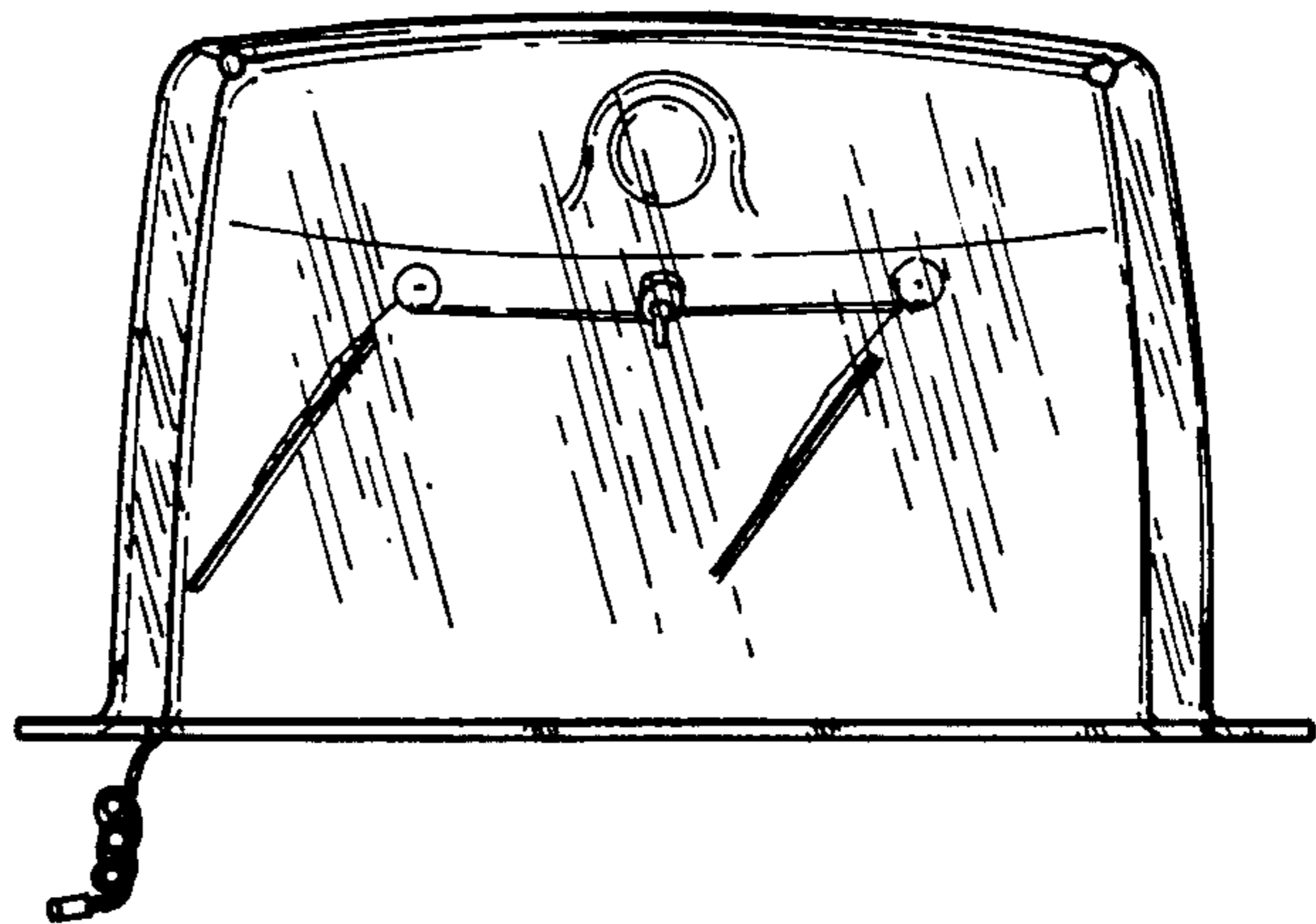


FIG. 3

FIG. 5

