



US00D332929S

United States Patent [19]

Van Dyke

[11] Patent Number: **Des. 332,929**

[45] Date of Patent: **** Feb. 2, 1993**

[54] **KEY FOR BICYCLE HANDLEBAR LOCK**

5,085,063 2/1992 Van Dyke et al. 280/280

[75] Inventor: **Laroy J. Van Dyke, Audubon, Pa.**

[73] Assignee: **Innovative Bicycle Products, Inc.,
Huntingdon Valley, Pa.**

[**] Term: **14 Years**

[21] Appl. No.: **659,128**

[22] Filed: **Feb. 22, 1991**

[52] U.S. Cl. **D12/117**

[58] Field of Search **D12/117, 114; 70/218,
70/233, 404; 280/280; D9/446, 453**

[56] **References Cited**

U.S. PATENT DOCUMENTS

D. 292,777	11/1987	Shillington et al.	D8/446
3,408,840	11/1968	Hasenbein	70/404
3,779,429	12/1973	Porcelli	D9/446
3,785,576	1/1974	Klein, Jr.	D12/117
4,358,714	6/1983	Roberto et al.	D9/446
4,507,945	4/1985	Hwang	70/491
4,901,544	2/1990	Jang	70/218
5,027,628	7/1991	De Rocher et al.	70/233

OTHER PUBLICATIONS

PCT International Application PCT/AU89/00462; Int'l filing date Oct. 26, 1989; Int'l Pub. date May 3, 1990.

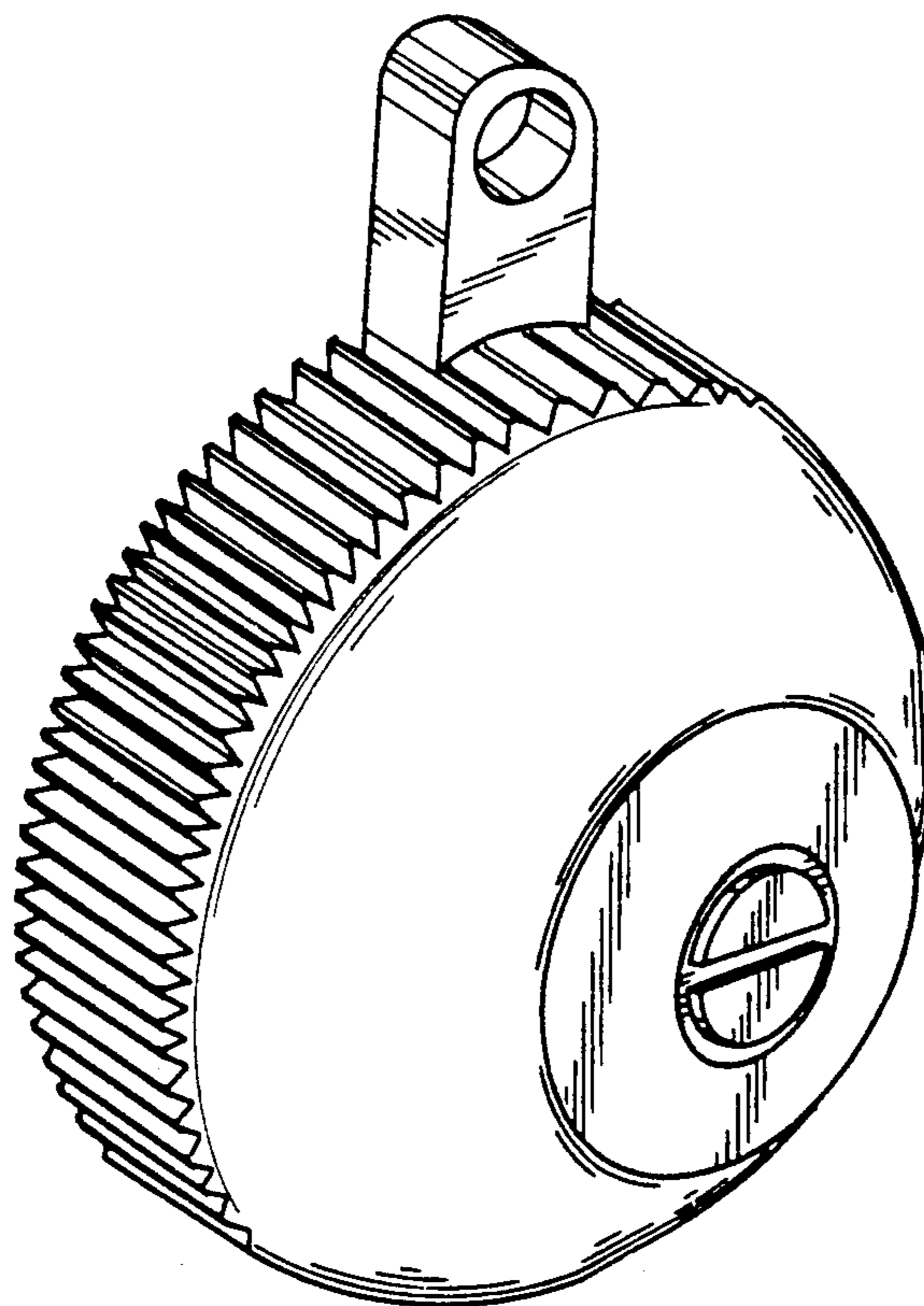
Primary Examiner—Wallace R. Burke
Assistant Examiner—Melody Brown
Attorney, Agent, or Firm—Eckert Seamans Cherin & Mellott

[57] **CLAIM**

The ornamental design for a key for bicycle handlebar lock, as shown.

DESCRIPTION

FIG. 1 is a top plan view of a key for bicycle handlebar lock showing my new design;
FIG. 2 is a right side elevation view thereof;
FIG. 3 is a bottom plan view;
FIG. 4 is a left side elevational view, from the left in FIG. 1; and,
FIG. 5 is a perspective view thereof.



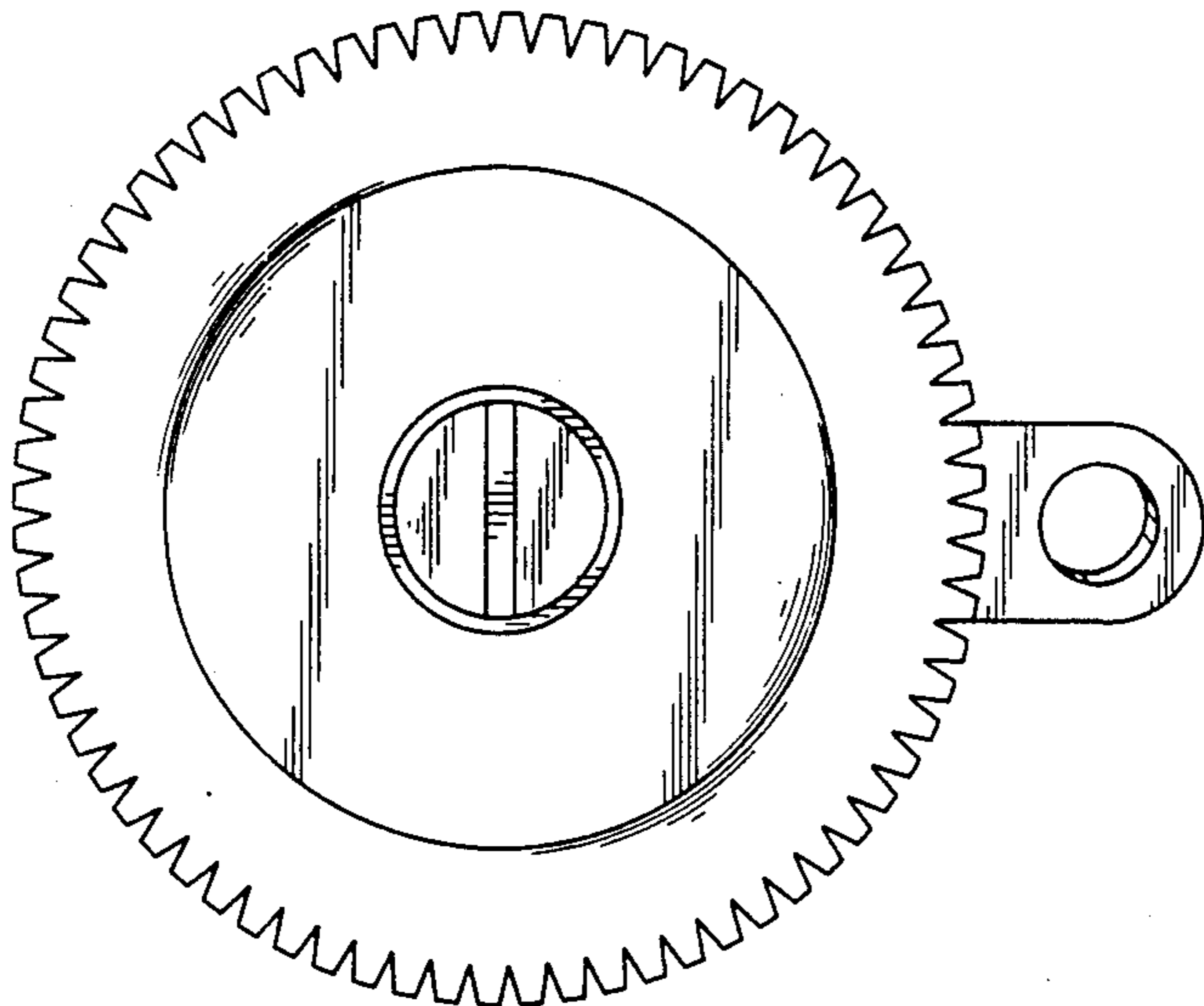


FIG. 1

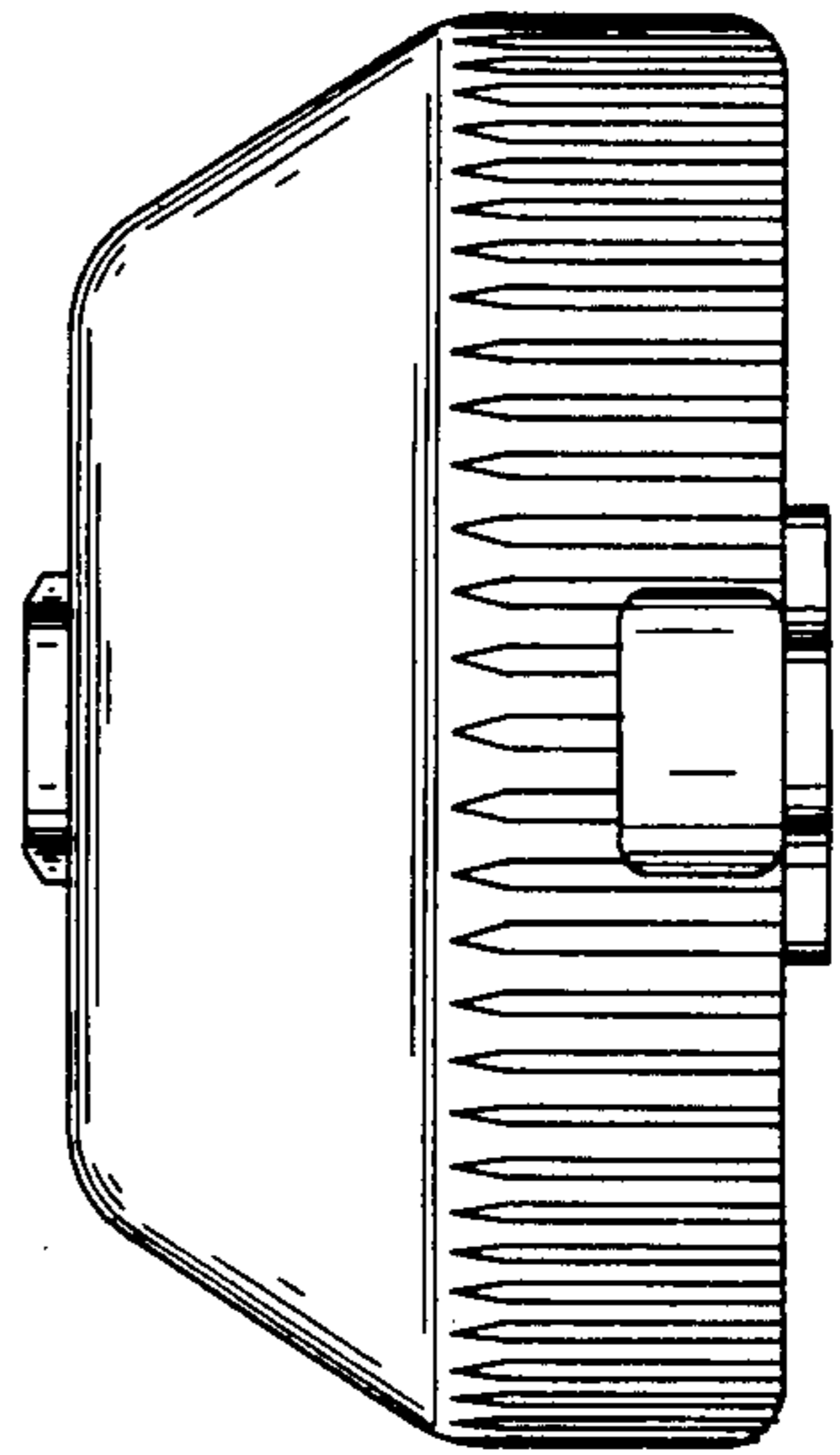


FIG. 2

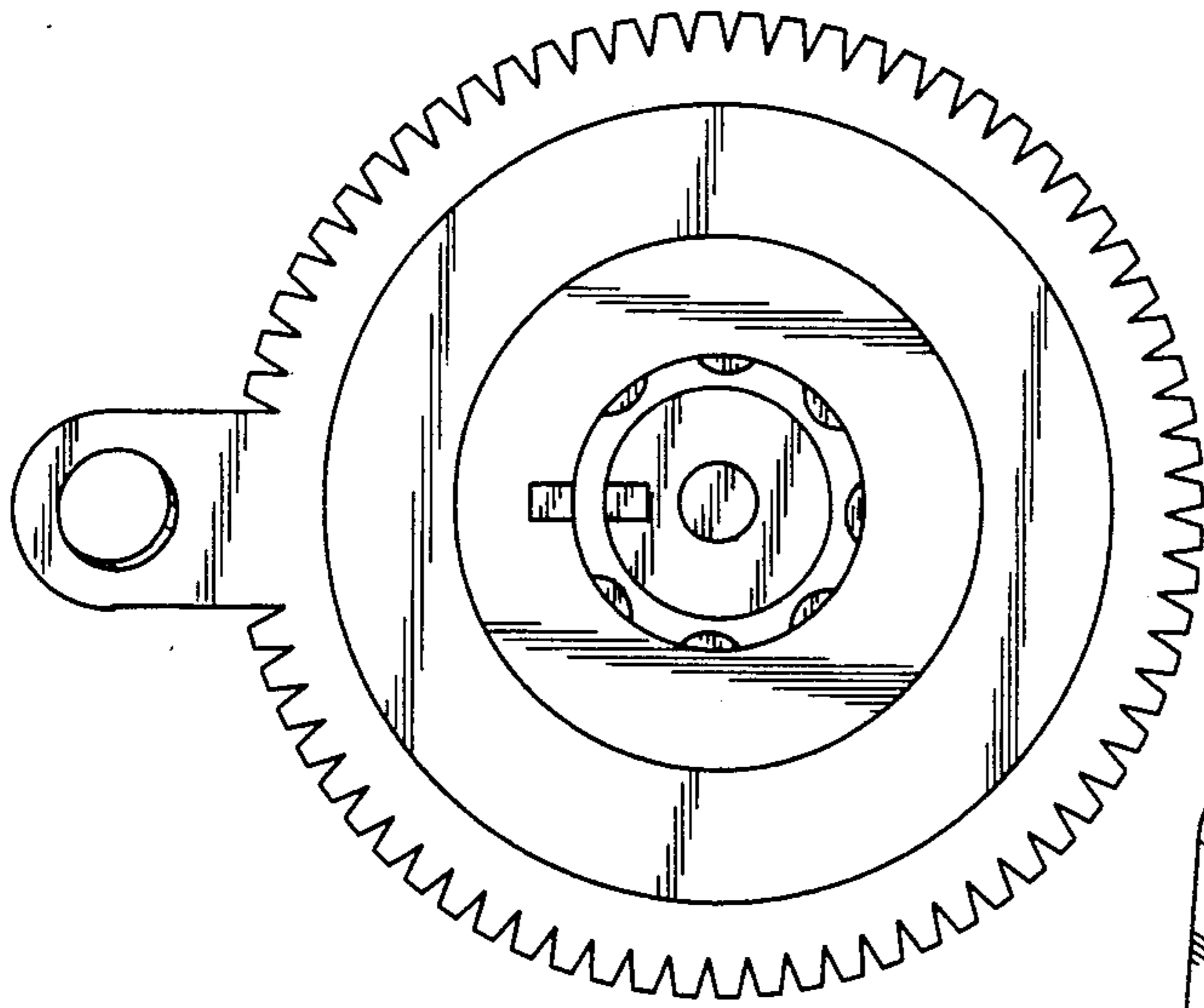


FIG. 3

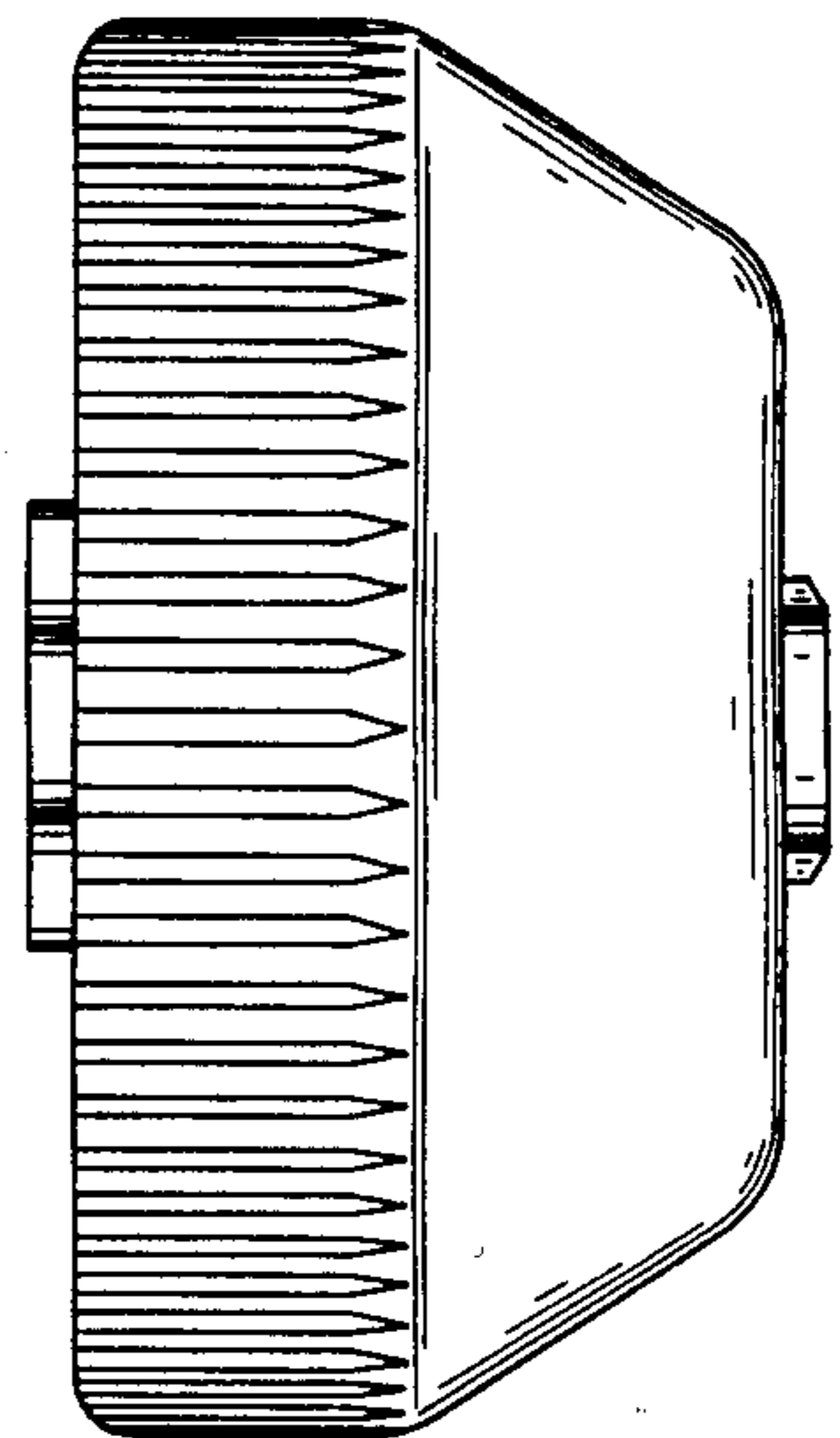


FIG. 4

FIG. 5

