



US00D332928S

# United States Patent [19]

[11] Patent Number: **Des. 332,928**

Gilbert et al.

[45] Date of Patent: **\*\* Feb. 2, 1993**

## [54] RECREATIONAL VEHICLE TRAILER LEVELER

### FOREIGN PATENT DOCUMENTS

[76] Inventors: **Charles C. Gilbert**, 1314 Auburn Dr.;  
**Howard J. Humphries**, 2481 San Carlos Cir., both of Colorado Springs, Colo. 80909

1221064 5/1960 France ..... 280/415.1

*Primary Examiner*—Wallace R. Burke  
*Assistant Examiner*—Melody Brown  
*Attorney, Agent, or Firm*—Phillip A. Rein

[\*\*] Term: **14 Years**

### [57] CLAIM

[21] Appl. No.: **699,564**

The ornamental design for a recreational vehicle trailer leveler, as shown and described.

[22] Filed: **May 14, 1991**

[52] U.S. Cl. .... **D12/106**

[58] Field of Search ..... **D12/106, 115;**  
**280/415.1; 33/375**

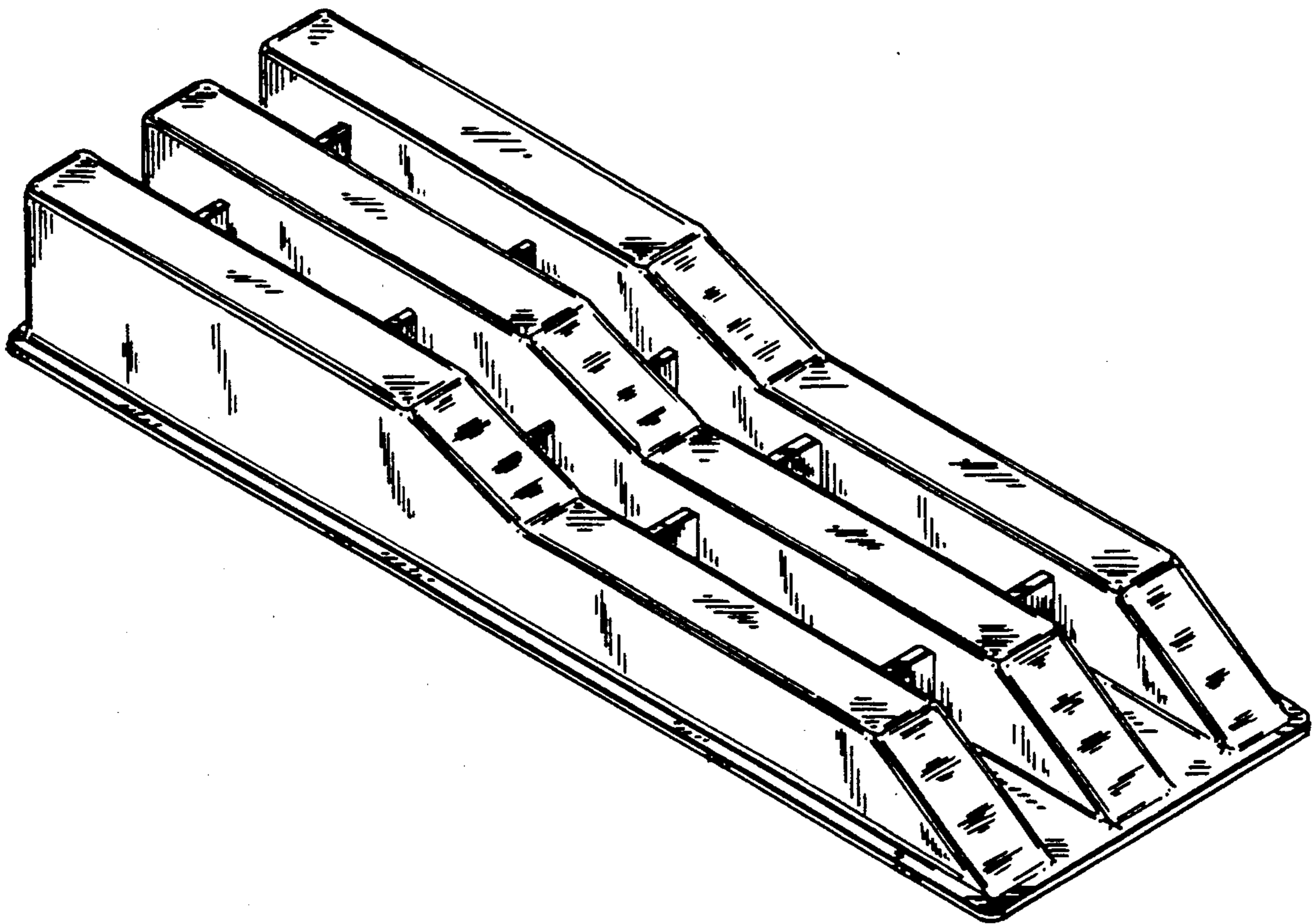
### DESCRIPTION

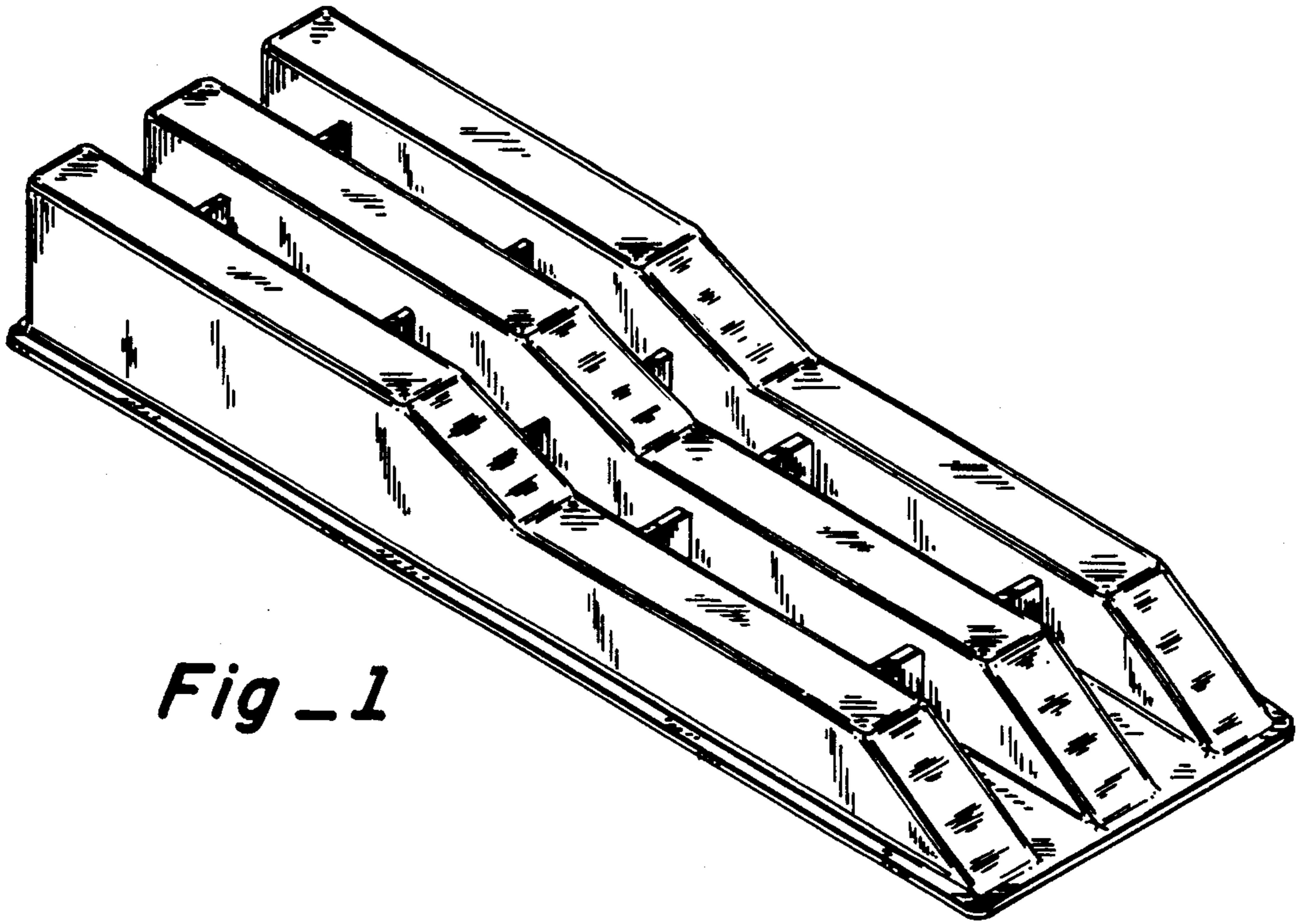
### [56] References Cited

#### U.S. PATENT DOCUMENTS

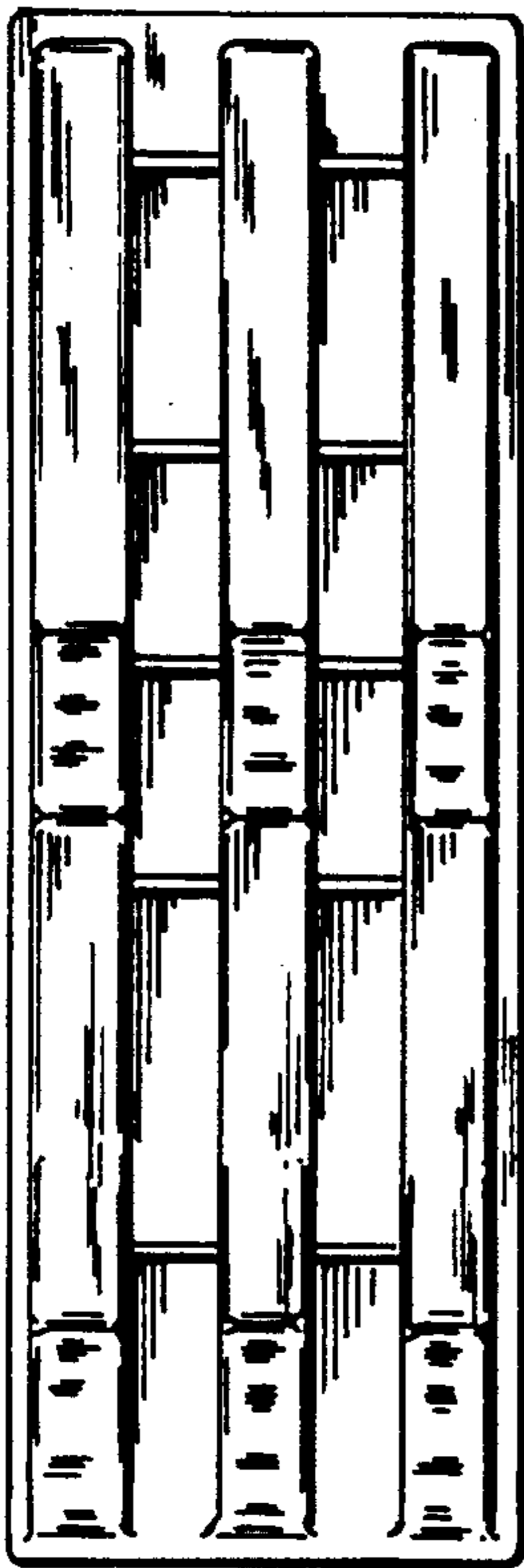
D. 224,003 6/1972 Dumm III ..... D12/115  
3,771,232 11/1973 Specht ..... D12/106  
5,036,986 8/1991 Kral ..... 211/20

FIG. 1 is a perspective view of a recreational vehicle trailer leveler showing our new design;  
FIG. 2 is a top plan view thereof;  
FIG. 3 is a side elevational view thereof, the opposite side being a mirror image of the shown;  
FIG. 4 is a bottom plan view thereof;  
FIG. 5 is a rear elevational view thereof; and,  
FIG. 6 is a front elevational view thereof.

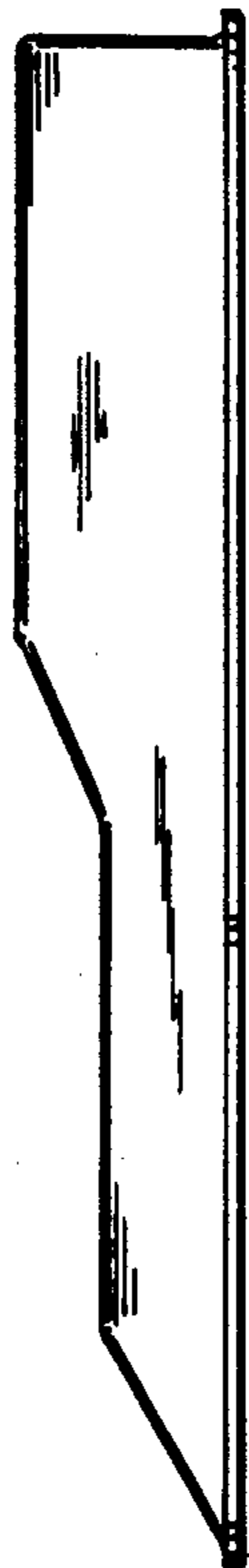




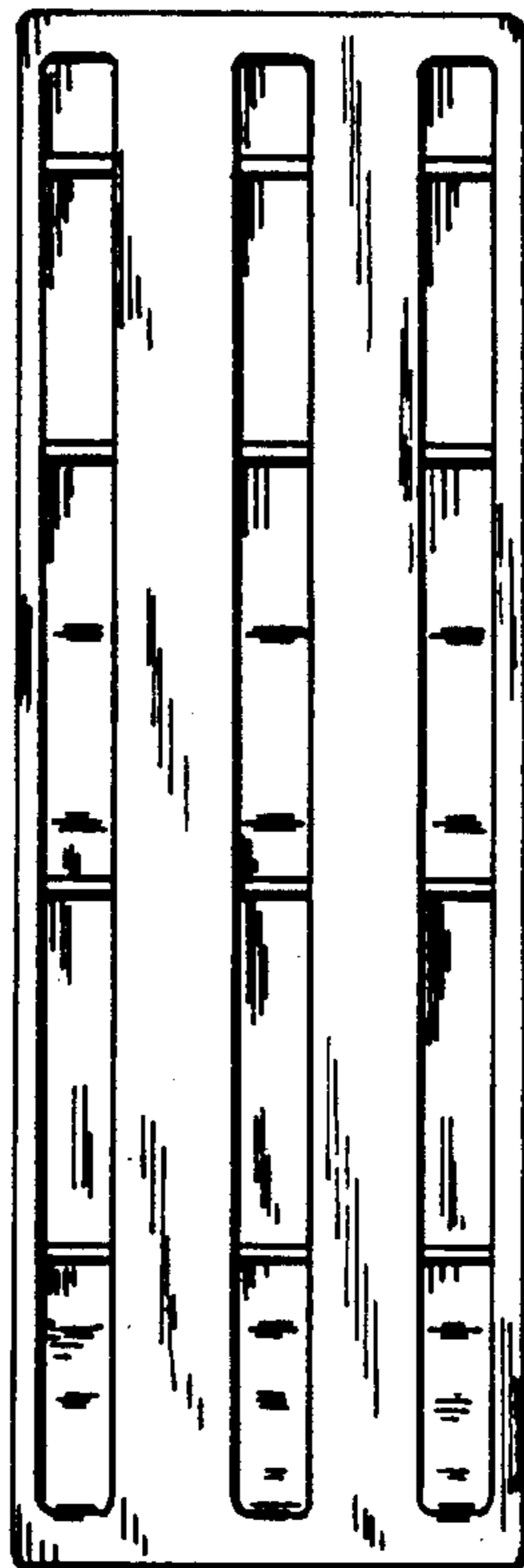
*Fig\_1*



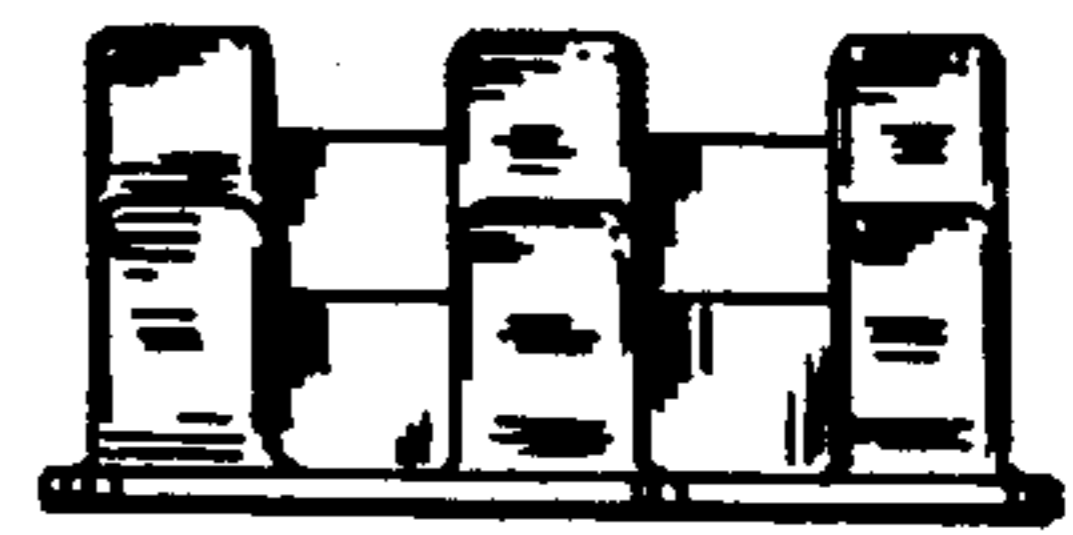
*Fig\_2*



*Fig\_3*



*Fig\_4*



*Fig\_5*



*Fig\_6*