



US00D332927S

United States Patent [19]

[11] Patent Number: **Des. 332,927**

Ferino

[45] Date of Patent: **** Feb. 2, 1993**

[54] MOTOR VEHICLE

| | | | |
|-----------|---------|----------------|-----------|
| 4,726,439 | 2/1988 | Iwao et al. | 180/219 |
| 4,887,688 | 12/1989 | Horiike et al. | 180/219 |
| 4,964,484 | 10/1990 | Buell | 280/288.2 |

[76] Inventor: **Ferdinand H. Ferino**, 736 Robinson Ave., San Diego, Calif. 92103

OTHER PUBLICATIONS

[**] Term: **14 Years**

American Bicyclist & Motorcyclist, Mar. 1989, p. 95, the winged skateboard.

[21] Appl. No.: **601,581**

Primary Examiner—James M. Gandy

[22] Filed: **Oct. 23, 1990**

Assistant Examiner—Melody Brown

[52] U.S. Cl. **D12/1**

Attorney, Agent, or Firm—Lewis E. Massie

[58] Field of Search **D12/1, 110; 280/288.1, 280/288.2; 180/219; 296/77.1, 78.1**

[57] CLAIM

[56] References Cited

The ornamental design for a motor vehicle, as shown and described.

U.S. PATENT DOCUMENTS

DESCRIPTION

| | | | |
|-----------|---------|------------------|-----------|
| 4,157,739 | 6/1979 | Frye | 280/288.2 |
| 4,311,335 | 1/1982 | Winiecki | 296/78.1 |
| 4,372,602 | 2/1983 | Tsuchiya et al. | 296/78.1 |
| 4,410,198 | 10/1983 | Fernandes et al. | 280/288.2 |
| 4,520,891 | 6/1985 | Omholt | 280/288.2 |
| 4,632,448 | 12/1986 | Yagasaki et al. | 296/78.1 |
| 4,650,204 | 3/1987 | Bothwell | 296/78.1 |
| 4,651,845 | 3/1987 | Yagasaki | 180/219 |

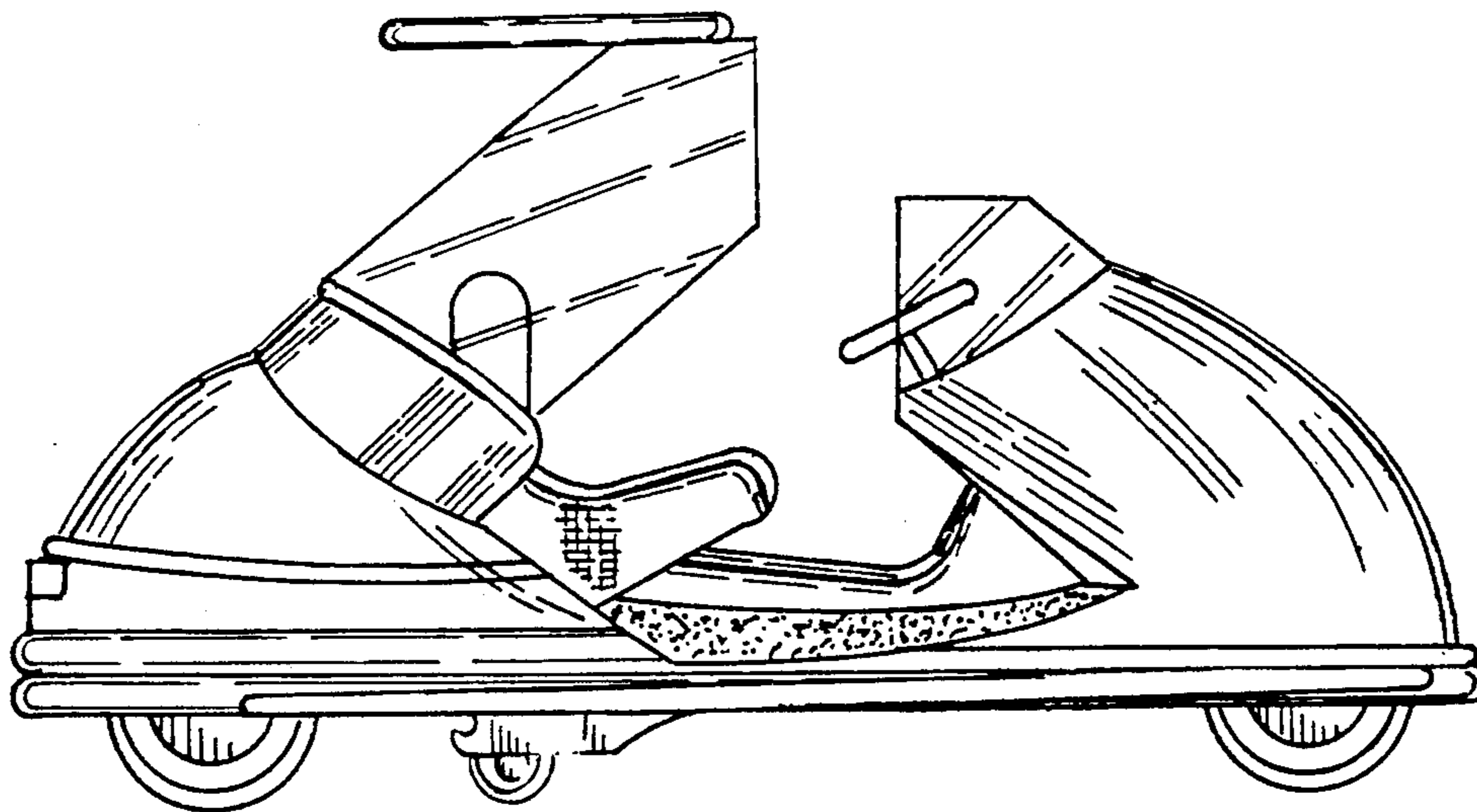
FIG. 1 is a left side elevation view of a motor vehicle showing my new design, the right side being a mirror image of that shown;

FIG. 2 is a top plan view thereof;

FIG. 3 is a rear elevation view thereof;

FIG. 4 is a front elevation view thereof; and,

FIG. 5 is a bottom plan view thereof.



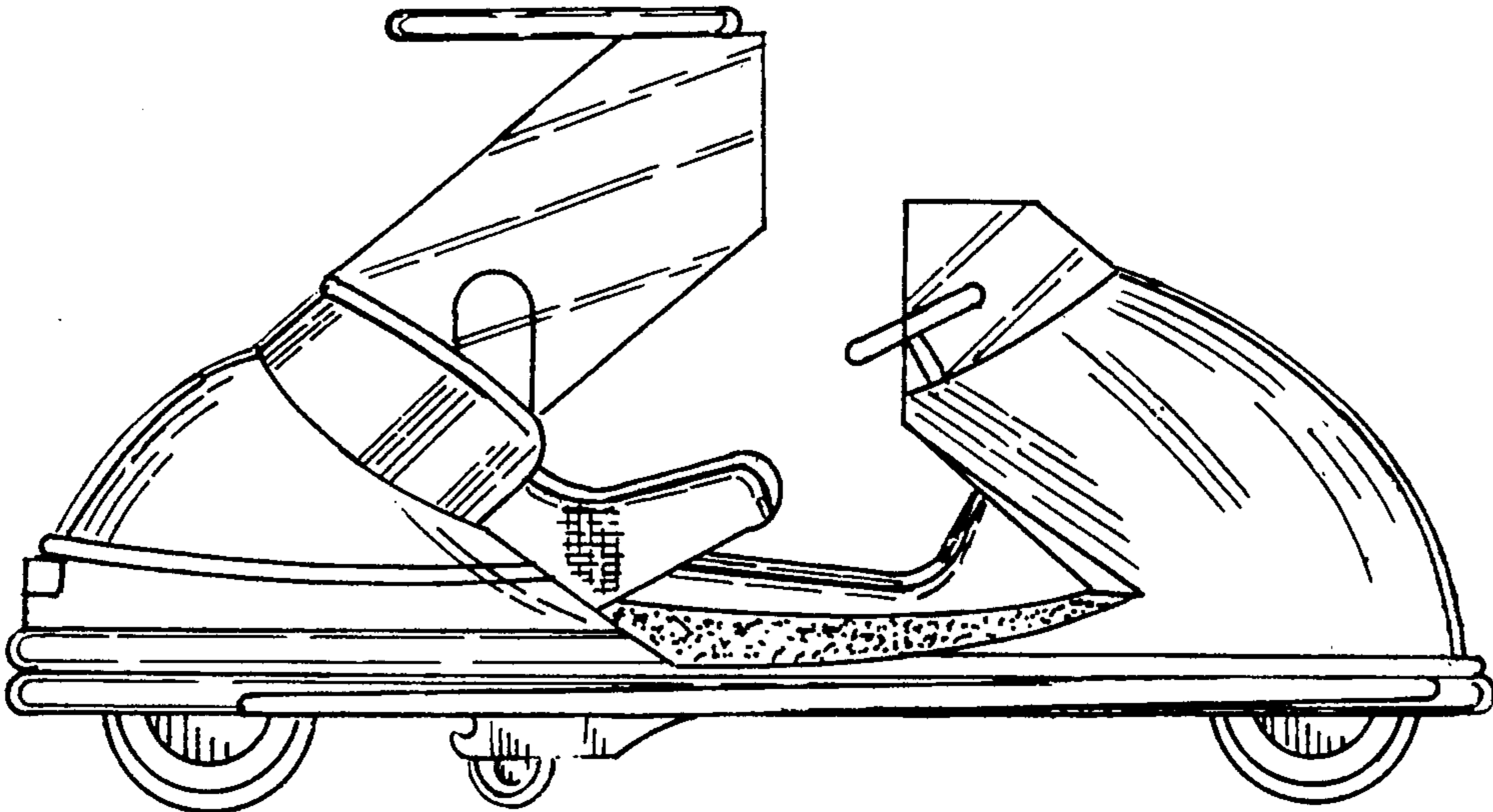


FIG. 1

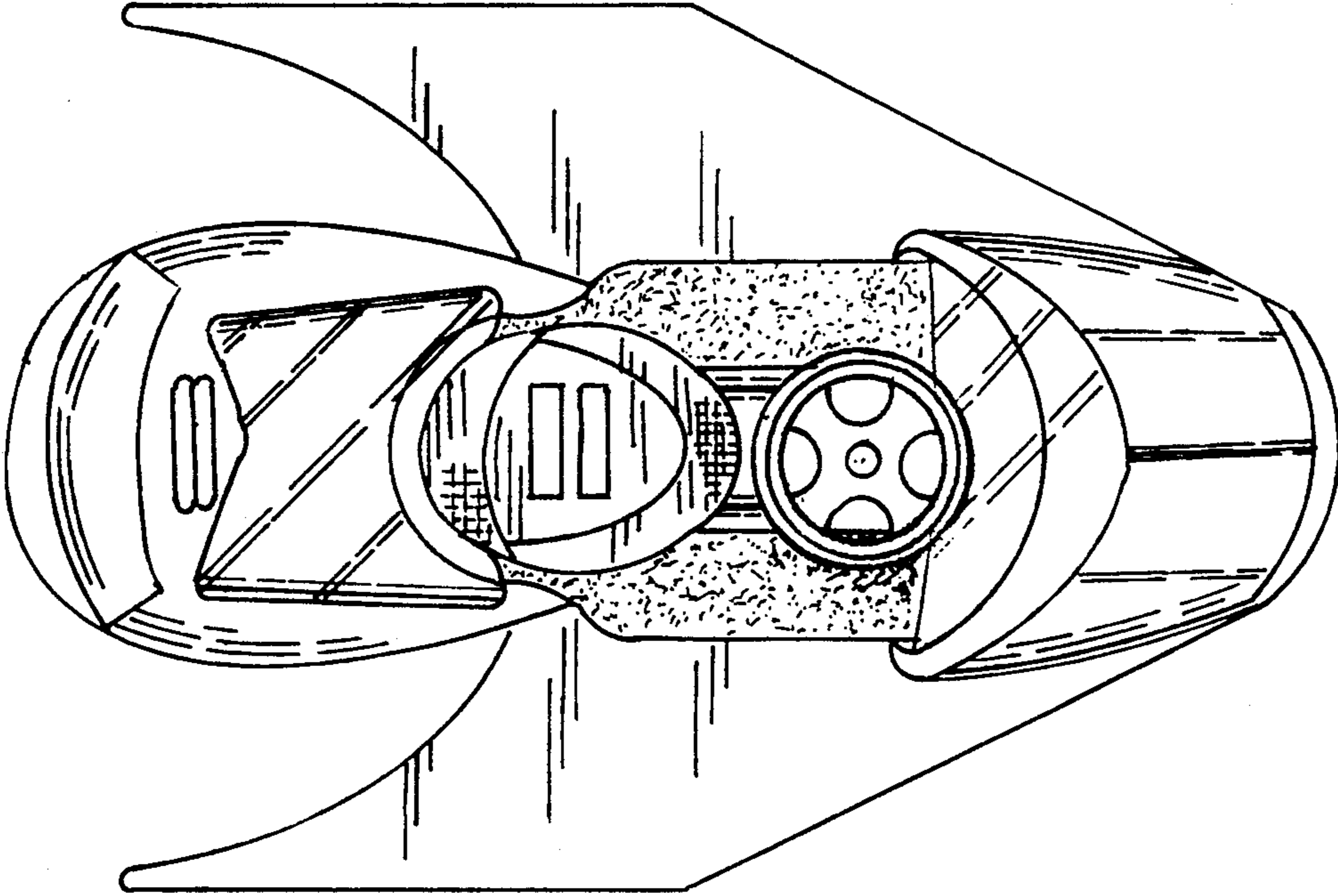


FIG. 2

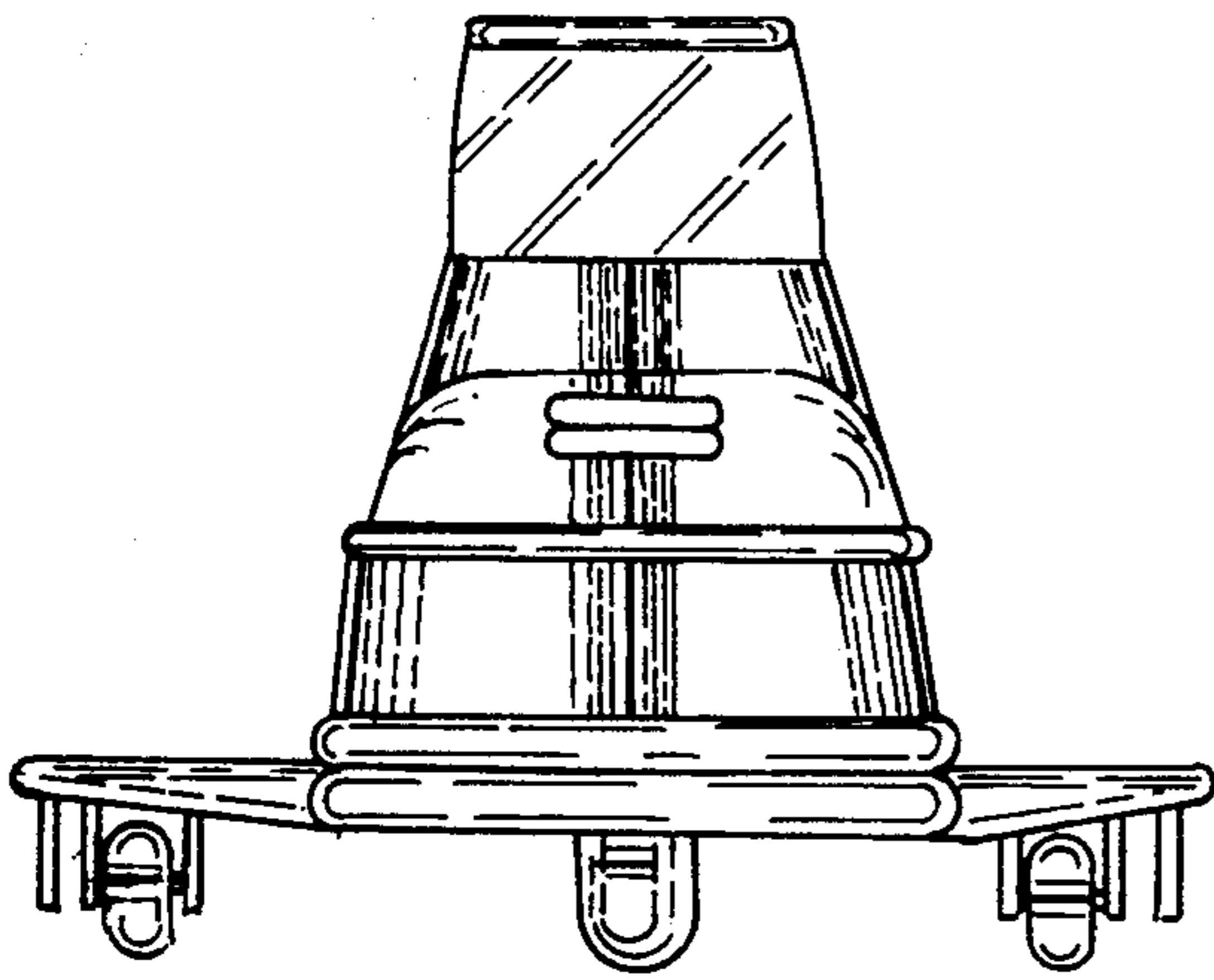


FIG. 3

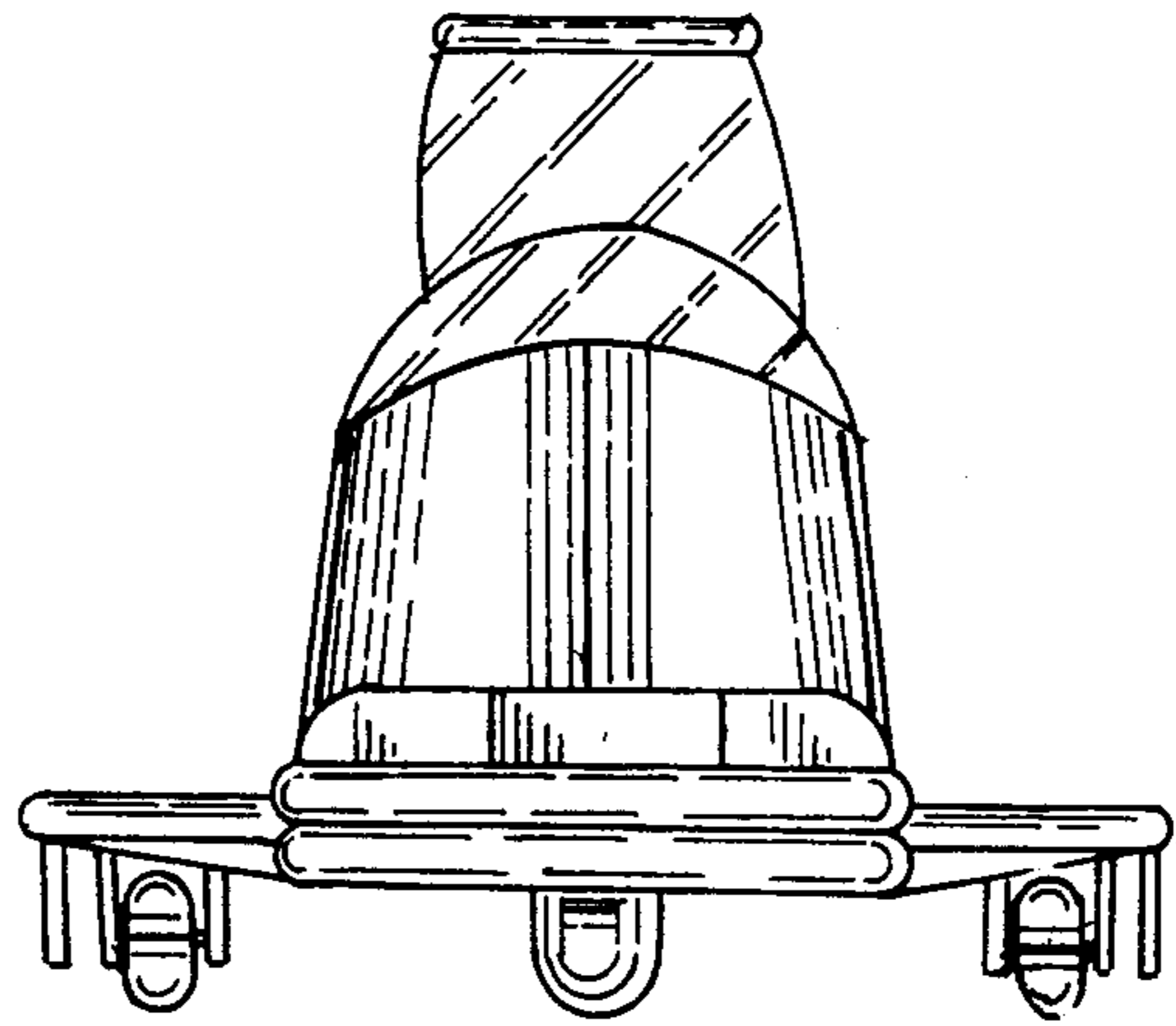


FIG. 4

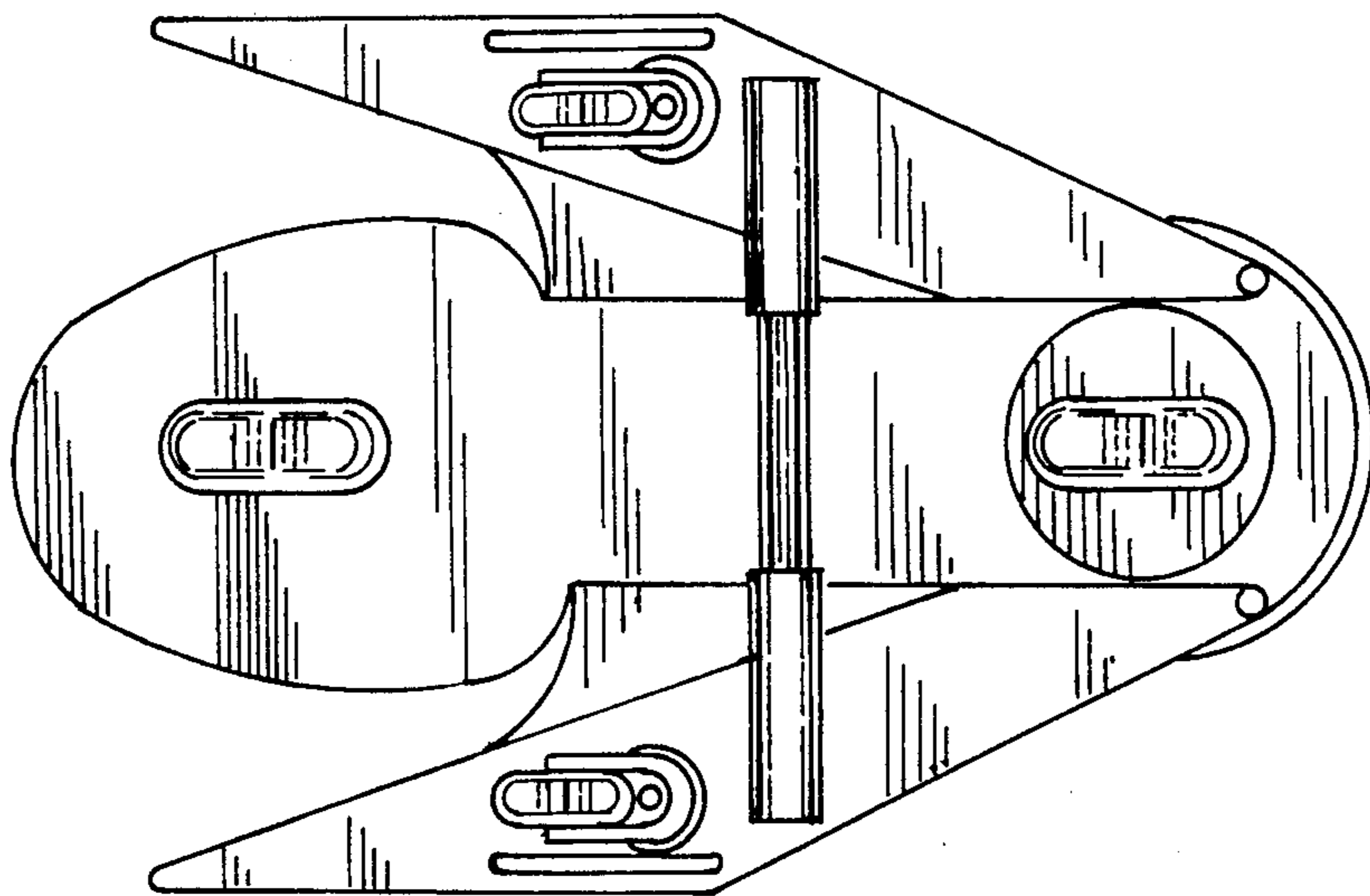


FIG. 5