



US00D332918S

United States Patent [19]

[11] Patent Number: **Des. 332,918**

Fleming

[45] Date of Patent: **** Feb. 2, 1993**

[54] BAG CARRYING HANDLE

[76] Inventor: **Leslie H. Fleming**, La Rambla Shopping Center, Ponce, P.R. 00731

[**] Term: **14 Years**

[21] Appl. No.: **680,283**

[22] Filed: **Apr. 4, 1991**

[52] U.S. Cl. **D9/434; D8/395; D32/61**

[58] Field of Search **D8/300, 395; D9/434; D32/61; 24/30.55, 563, 570, 110 R, 110.5, 114 R, 114 B; 294/137, 170, 171; 383/6, 13, 15**

[56] References Cited

U.S. PATENT DOCUMENTS

D. 138,379	7/1944	Most .	
D. 140,634	3/1945	Balmer .	
D. 318,213	7/1991	Cloonan et al.	D9/434
1,460,057	6/1923	Eisen	294/171
2,981,990	5/1961	Balderree, Jr.	24/30.5
4,590,640	5/1986	Enersen	16/114 B
4,772,133	9/1988	Volk	383/6
4,846,519	7/1989	Leonard	294/171
4,902,060	2/1990	Nobakht	294/171
4,923,235	5/1990	Stewart	294/141
4,932,702	6/1990	Sweeny	294/171
4,936,619	6/1990	Salazar	294/171

FOREIGN PATENT DOCUMENTS

0027778 11/1955 Finland 16/114 B

Primary Examiner—B. J. Bullock

Attorney, Agent, or Firm—Kimmel, Crowell & Weaver

[57] CLAIM

The ornamental design for a bag carrying handle, as shown and described.

DESCRIPTION

FIG. 1 is a top plan view of a bag carrying handle showing my new design, the bottom being a mirror image; FIG. 2 is a front elevation thereof, the rear being a mirror image;

FIG. 3 is a right end elevation thereof;

FIG. 4 is a left end elevation thereof;

FIG. 5 is a sectional view taken in the direction of the arrows on line 5—5 of FIG. 1;

FIG. 6 is a top plan view of a second embodiment of the design of FIG. 1, the bottom being a mirror image;

FIG. 7 is a front elevation of FIG. 6, the rear being a mirror image;

FIG. 8 is a right end elevation of FIG. 6;

FIG. 9 is a left end elevation of FIG. 6; and,

FIG. 10 is a sectional view taken in the direction of the arrows on line 10—10 of FIG. 6.

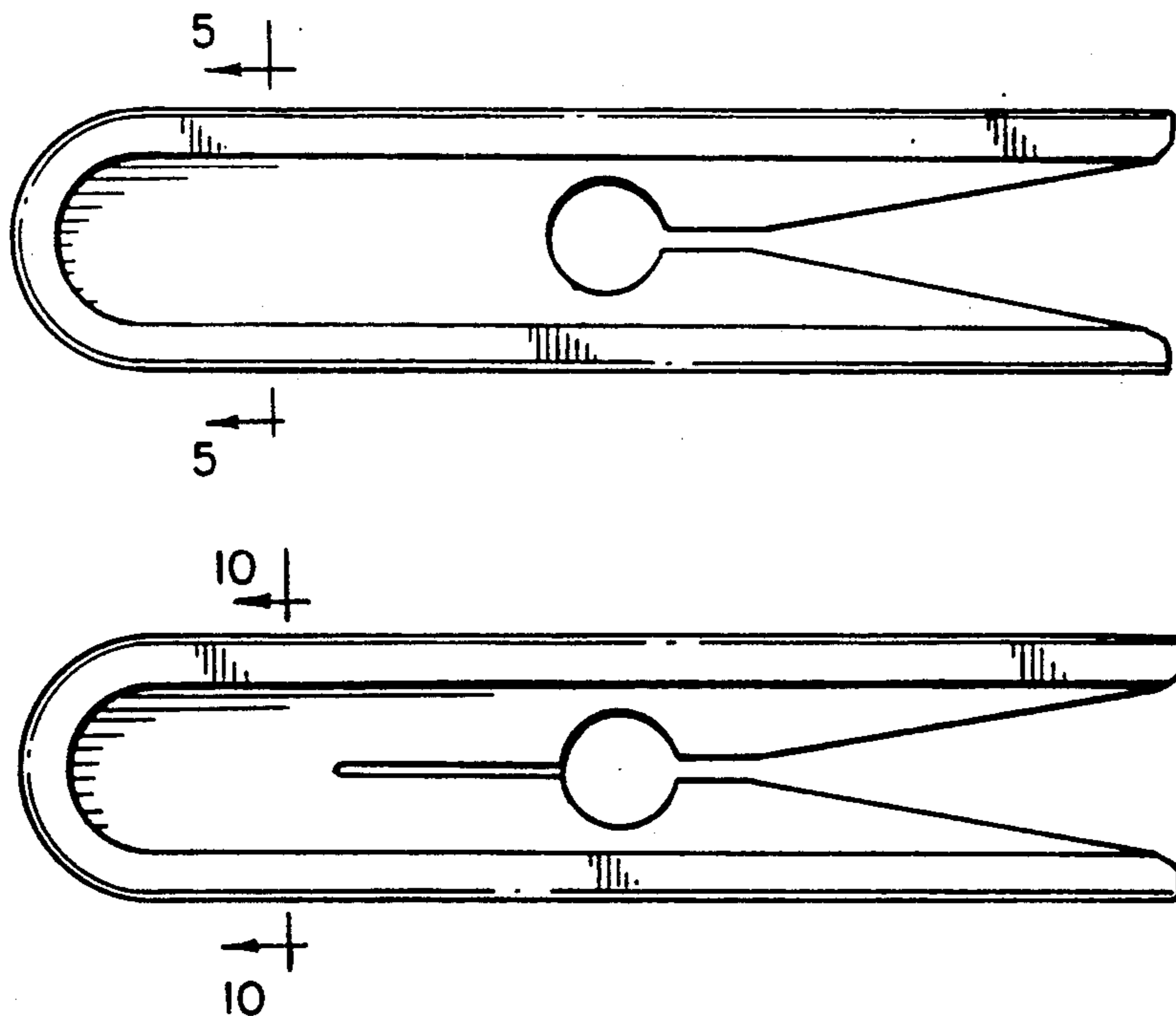


FIG. 1.

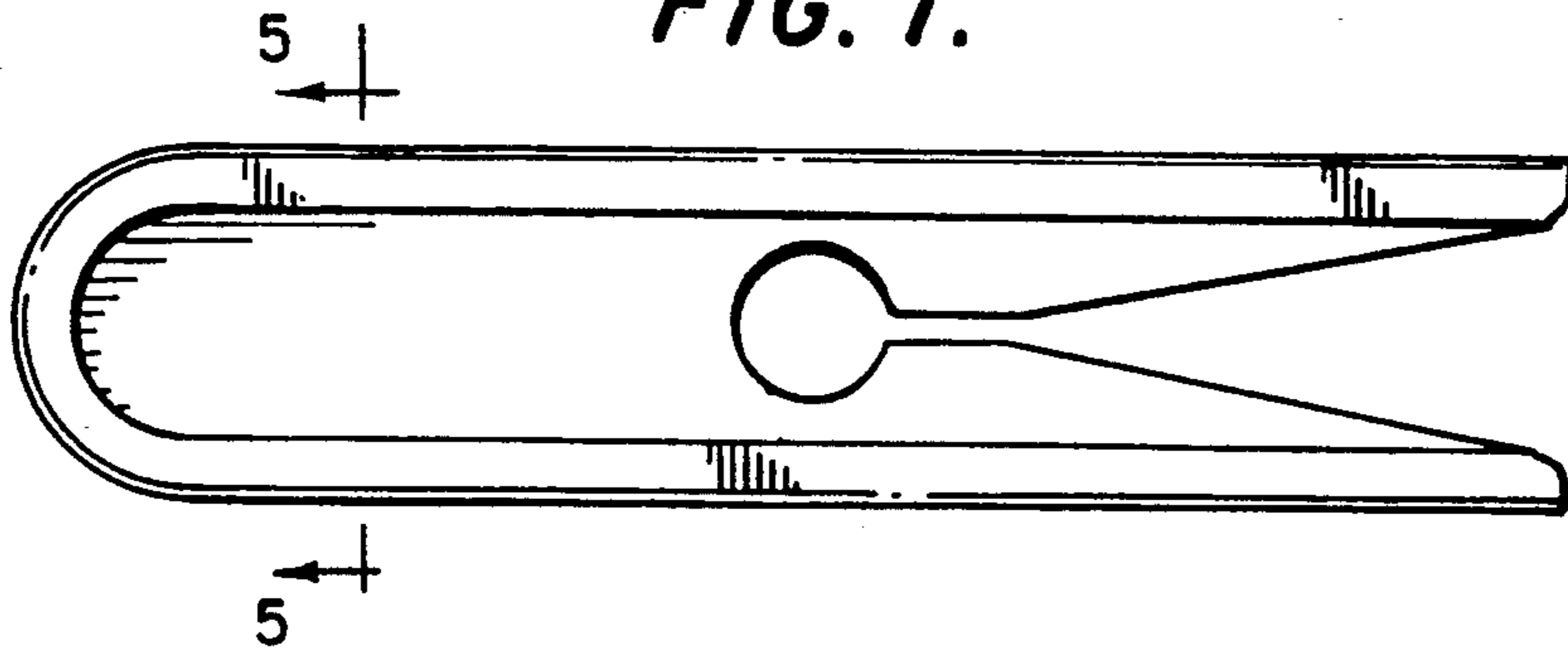


FIG. 2.



FIG. 3

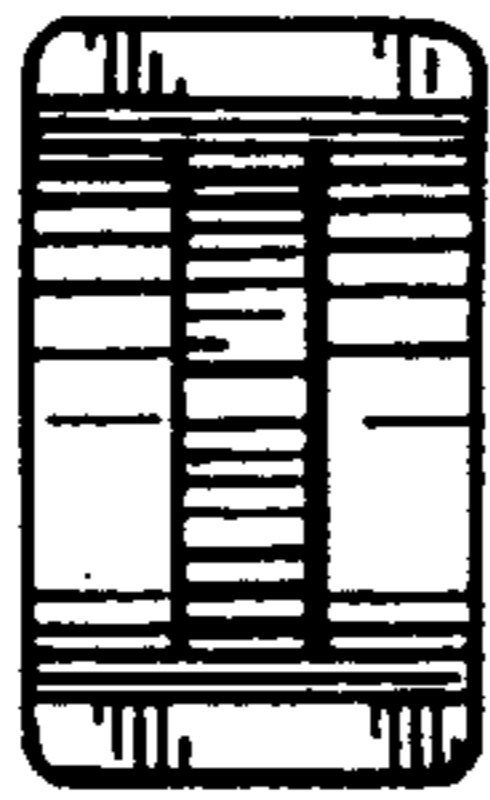


FIG. 4

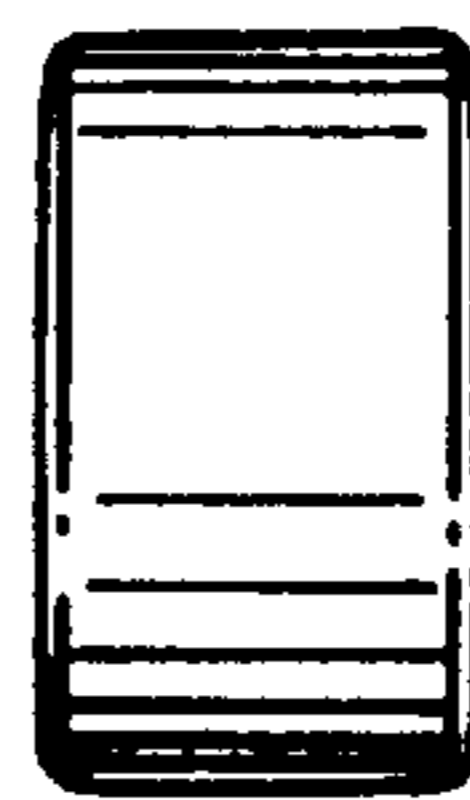


FIG. 5

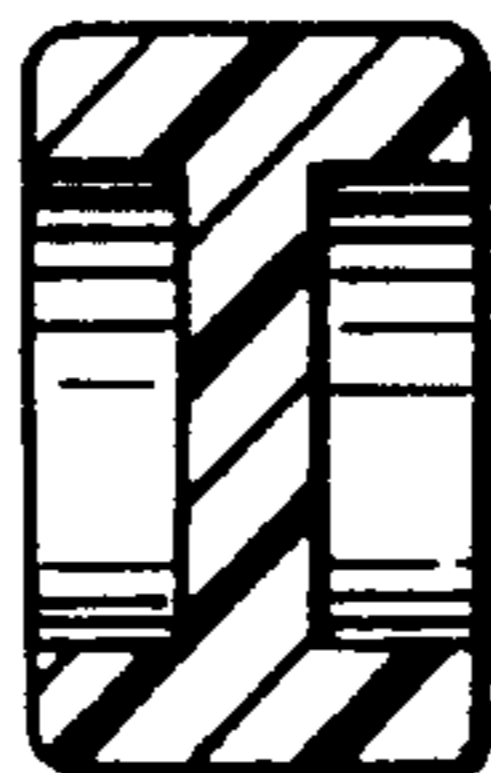


FIG. 6.

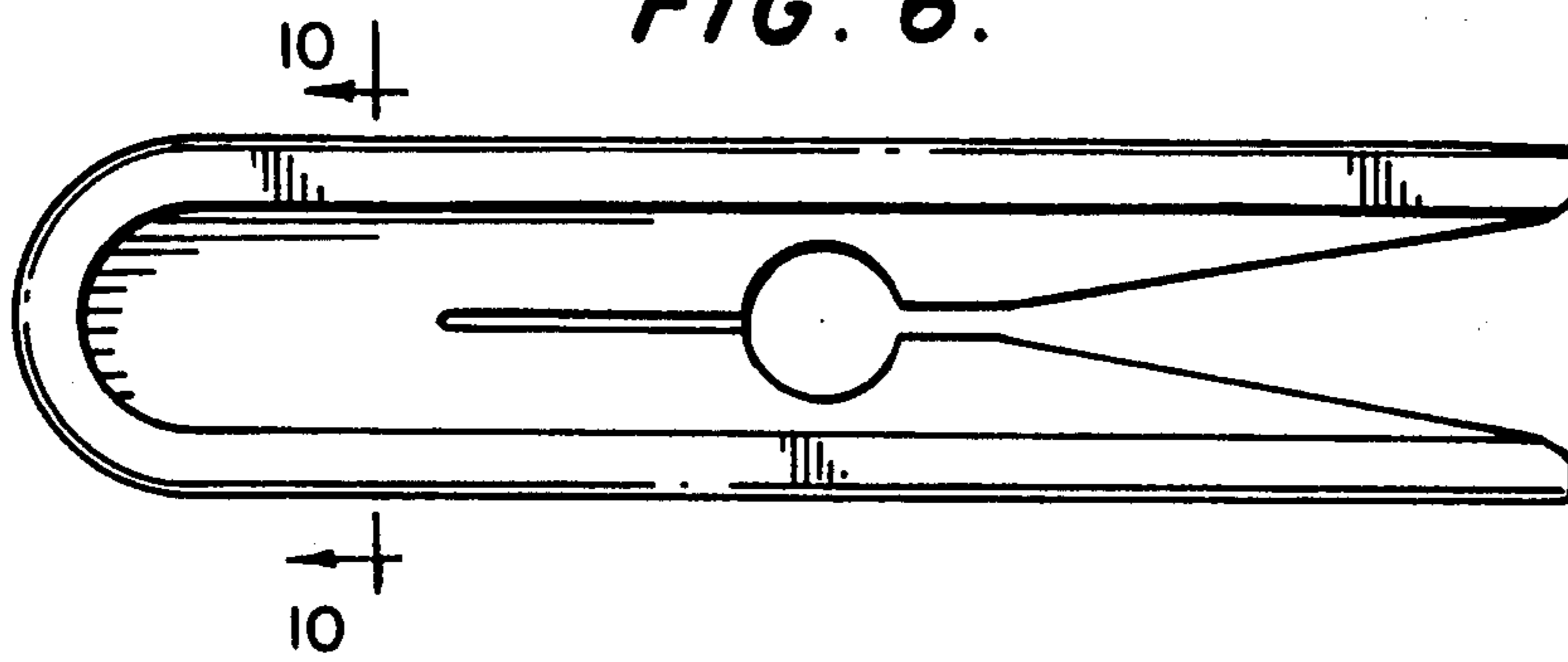


FIG. 7.



FIG. 8.



FIG. 9.



FIG. 10.

