



US00D332917S

United States Patent [19]

[11] Patent Number: **Des. 332,917**

McDevitt et al.

[45] Date of Patent: **** Feb. 2, 1993**

[54] CONTAINER

[75] Inventors: **John F. McDevitt**, Evanston; **David J. Johnson**, Beach Park; **Denis H. Nelson**, Wheaton, all of Ill.

[73] Assignee: **Kraft General Foods, Inc.**, Northfield, Ill.

[**] Term: **14 Years**

[21] Appl. No.: **728,937**

[22] Filed: **Jul. 11, 1991**

[52] U.S. Cl. **D9/423**

[58] Field of Search **D9/423, 424, 425, 432; D34/40-46; 206/503, 508, 509, 511, 518, 519, 427, 434; 220/337, 339, 359, 306, 324, 326; 229/182.1**

4,401,229	8/1983	Bell et al. .	
4,492,331	1/1985	Bixler et al. .	
4,529,100	7/1985	Ingemann	220/359
4,553,692	11/1985	Padovani .	
4,576,330	3/1986	Schepp	D9/423 X
4,579,246	4/1986	Swearingen et al. .	
4,583,679	4/1986	Johnson .	
4,753,351	6/1988	Guillin .	
4,768,703	9/1988	Sosler et al. .	
4,787,527	11/1988	Monetti	229/205 R X
4,892,220	1/1990	Foos .	
4,901,884	2/1990	Kallenbach .	
4,962,854	10/1990	Ricci .	
4,971,220	11/1990	Kaufman .	
5,012,928	5/1991	Proffitt et al. .	

FOREIGN PATENT DOCUMENTS

0383677A1 8/1990 European Pat. Off. .

Primary Examiner—Bernard Ansher
Assistant Examiner—Prabhakar Deshmukh
Attorney, Agent, or Firm—Fitch, Even, Tabin & Flannery

[56] References Cited

U.S. PATENT DOCUMENTS

D. 231,433	4/1974	Congleton	D9/423
D. 285,413	9/1986	Carlson	D9/425 X
D. 327,220	6/1992	Proffitt et al.	D9/425 X
2,185,604	1/1940	Moore .	
2,873,782	2/1959	Gunn	220/306
3,082,903	3/1963	Stevens et al. .	
3,384,263	5/1968	Bernstein	220/306
3,423,004	1/1969	Christensson .	
3,651,983	3/1972	Haugen .	
3,710,975	1/1973	Jansen .	
3,759,416	9/1973	Constantine	206/508 X
3,893,566	7/1975	Ross .	
3,904,074	9/1975	Hoffman et al. .	
4,202,464	5/1980	Mohs et al. .	
4,226,358	10/1980	Ottow .	
4,241,863	12/1980	Faller .	
4,243,140	1/1981	Thrun .	
4,358,025	11/1982	Urion .	

[57] CLAIM

The ornamental design for a container, as shown and described.

DESCRIPTION

FIG. 1 is a perspective view of a container showing our new design;
FIG. 2 is a top plan view thereof;
FIG. 3 is a front elevational view thereof;
FIG. 4 is a left side elevational view thereof; the right side elevational view being a mirror image thereof;
FIG. 5 is a rear elevational view thereof;
FIG. 6 is a bottom plan view thereof; and,
FIG. 7 is a perspective view thereof with the container lid in open position.

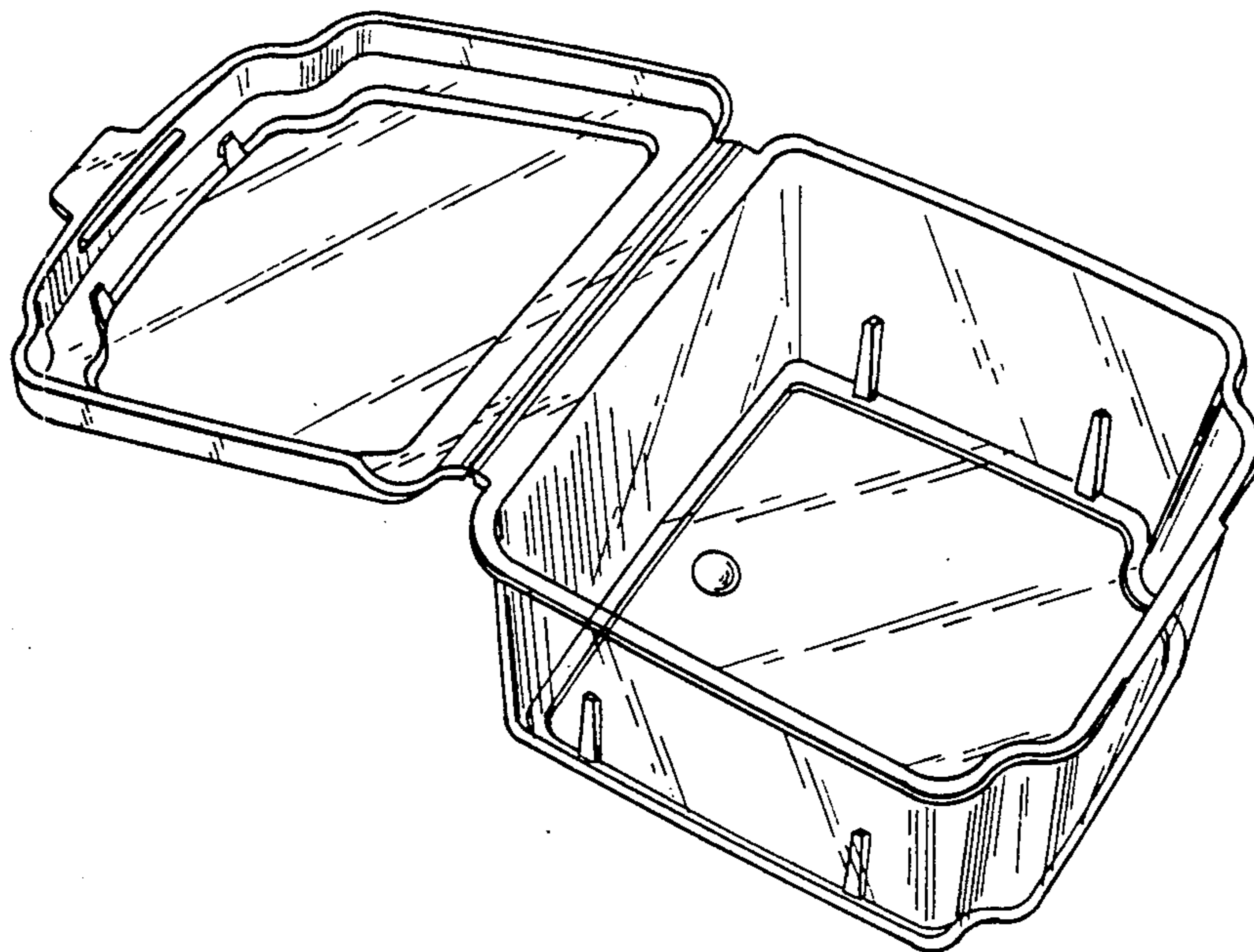


Fig. 1

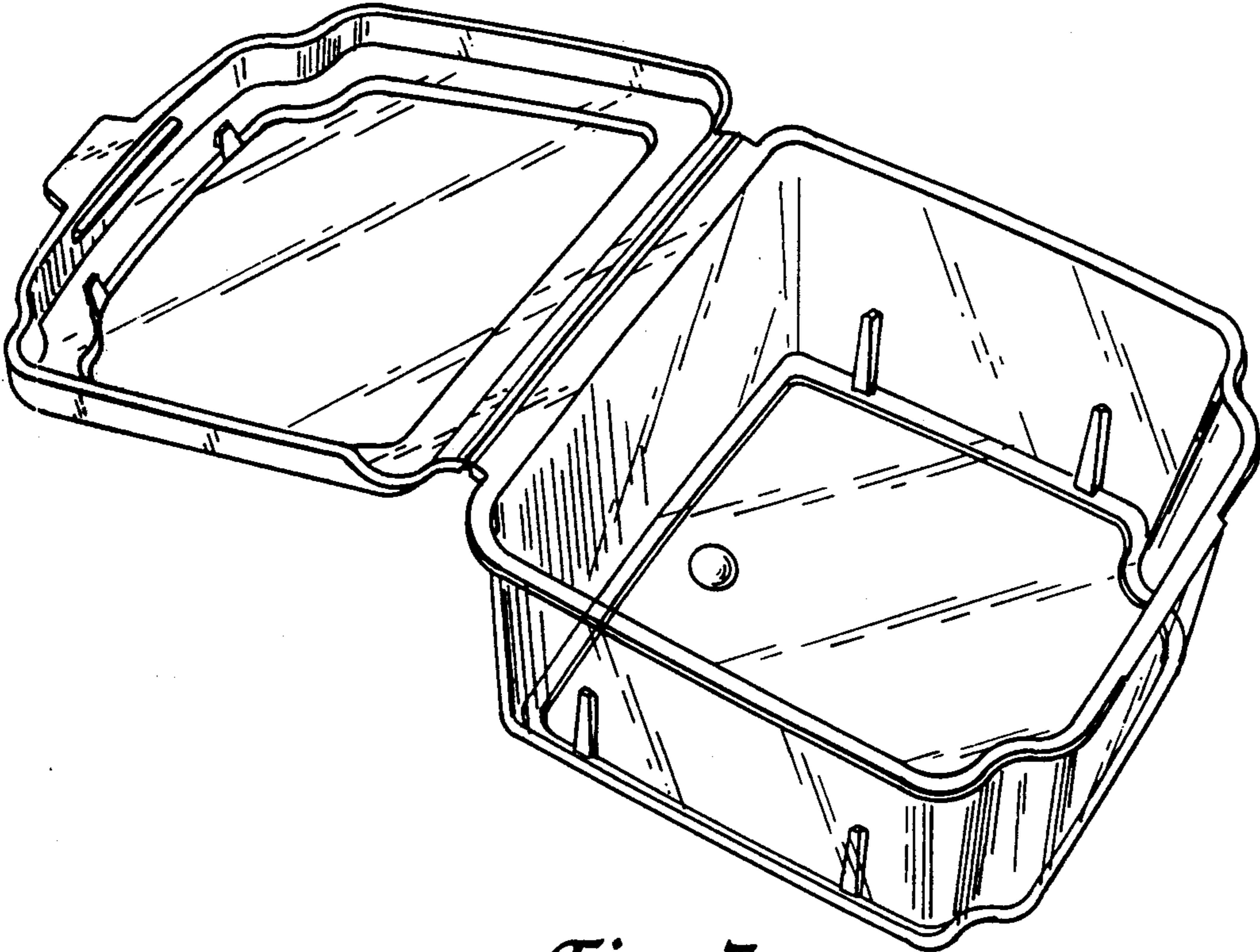
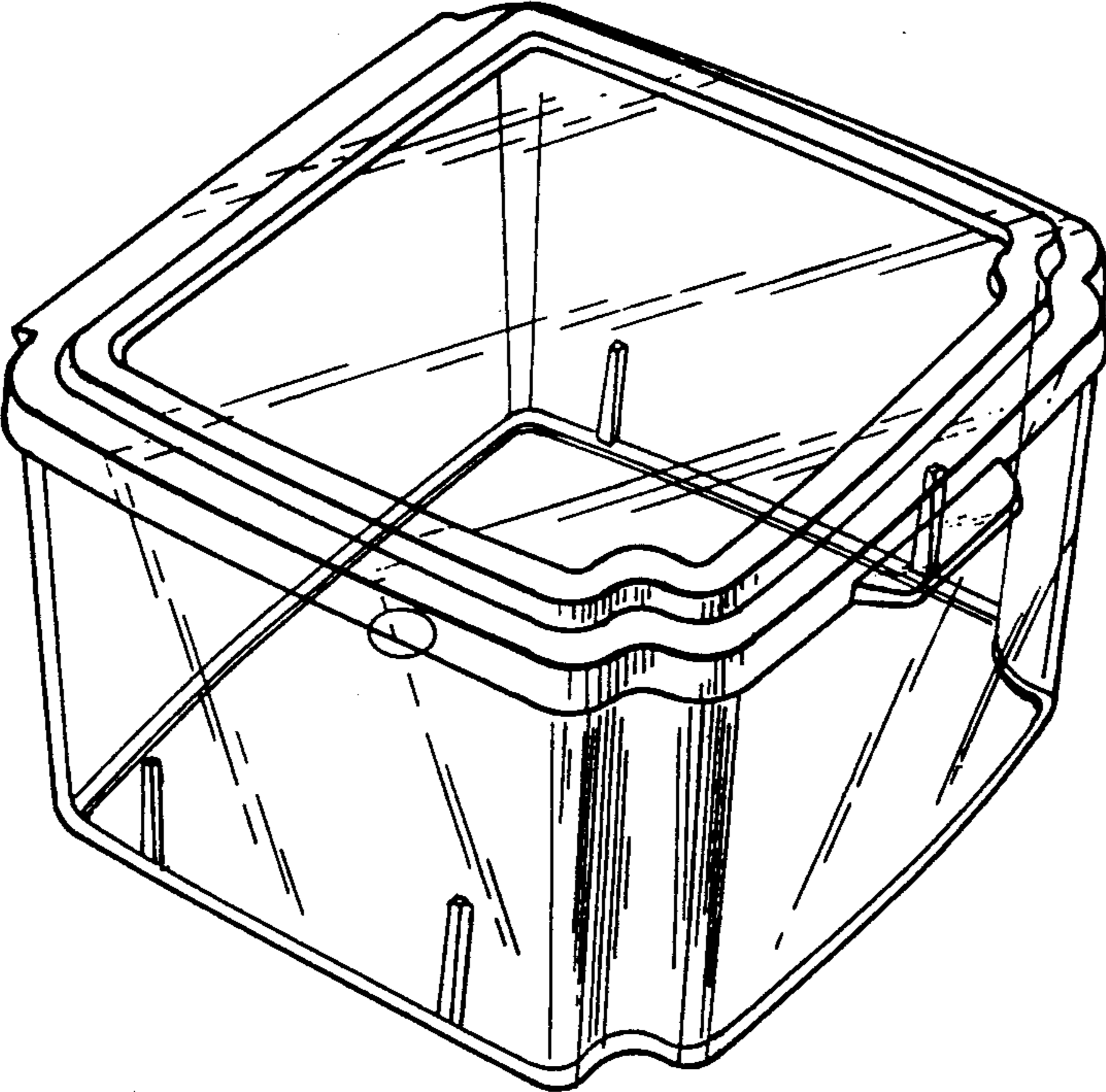


Fig. 7

Fig. 5

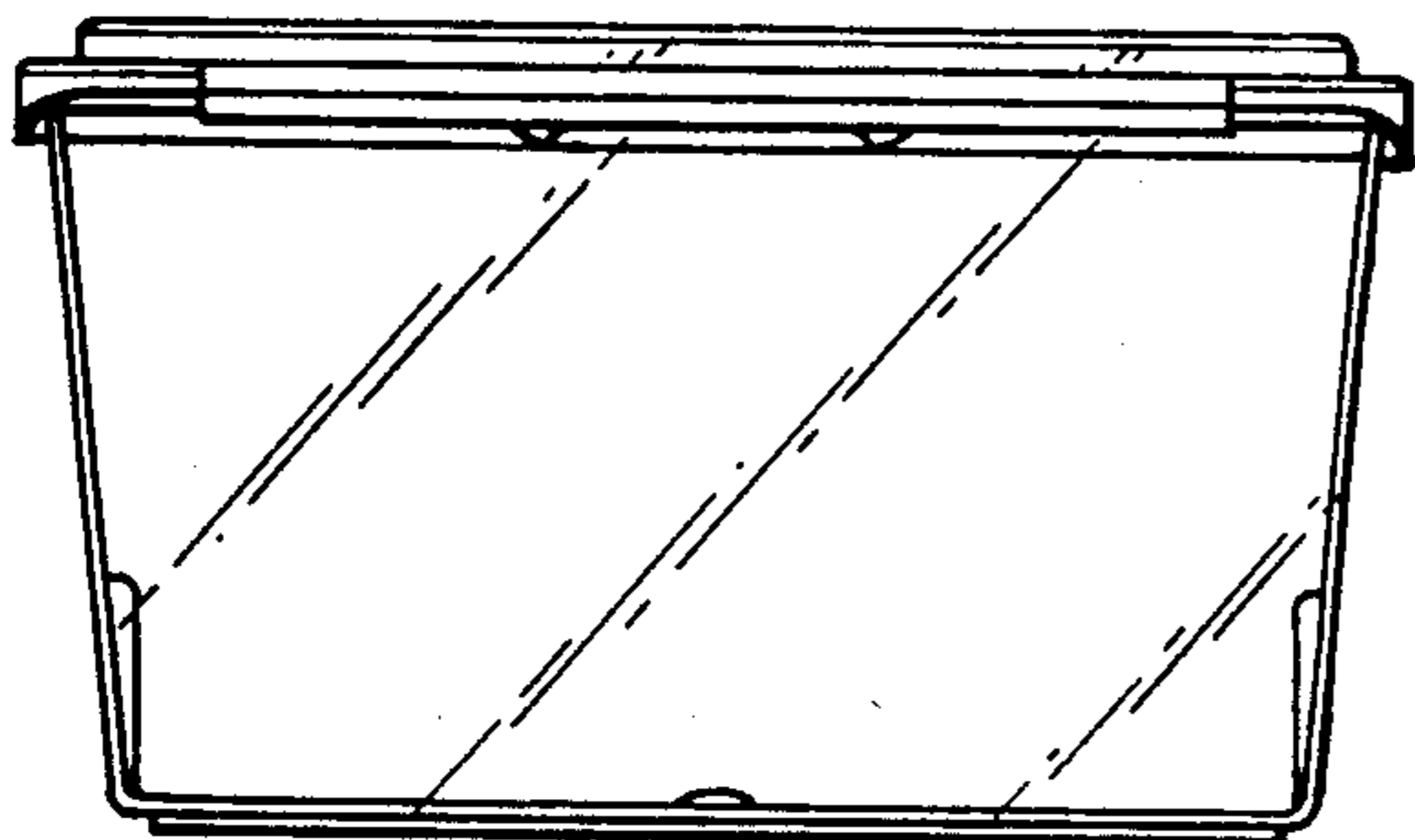


Fig. 2

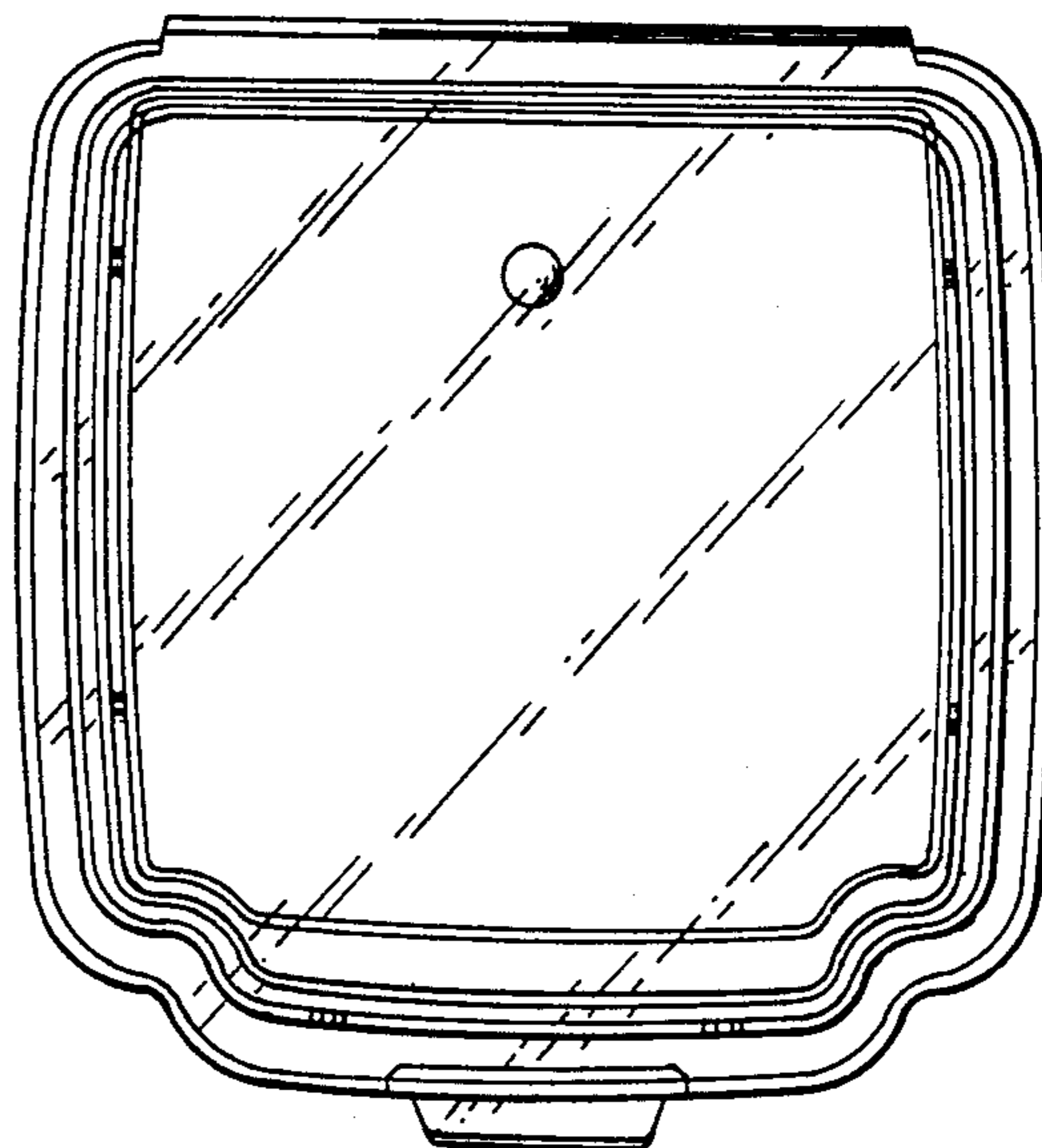


Fig. 4

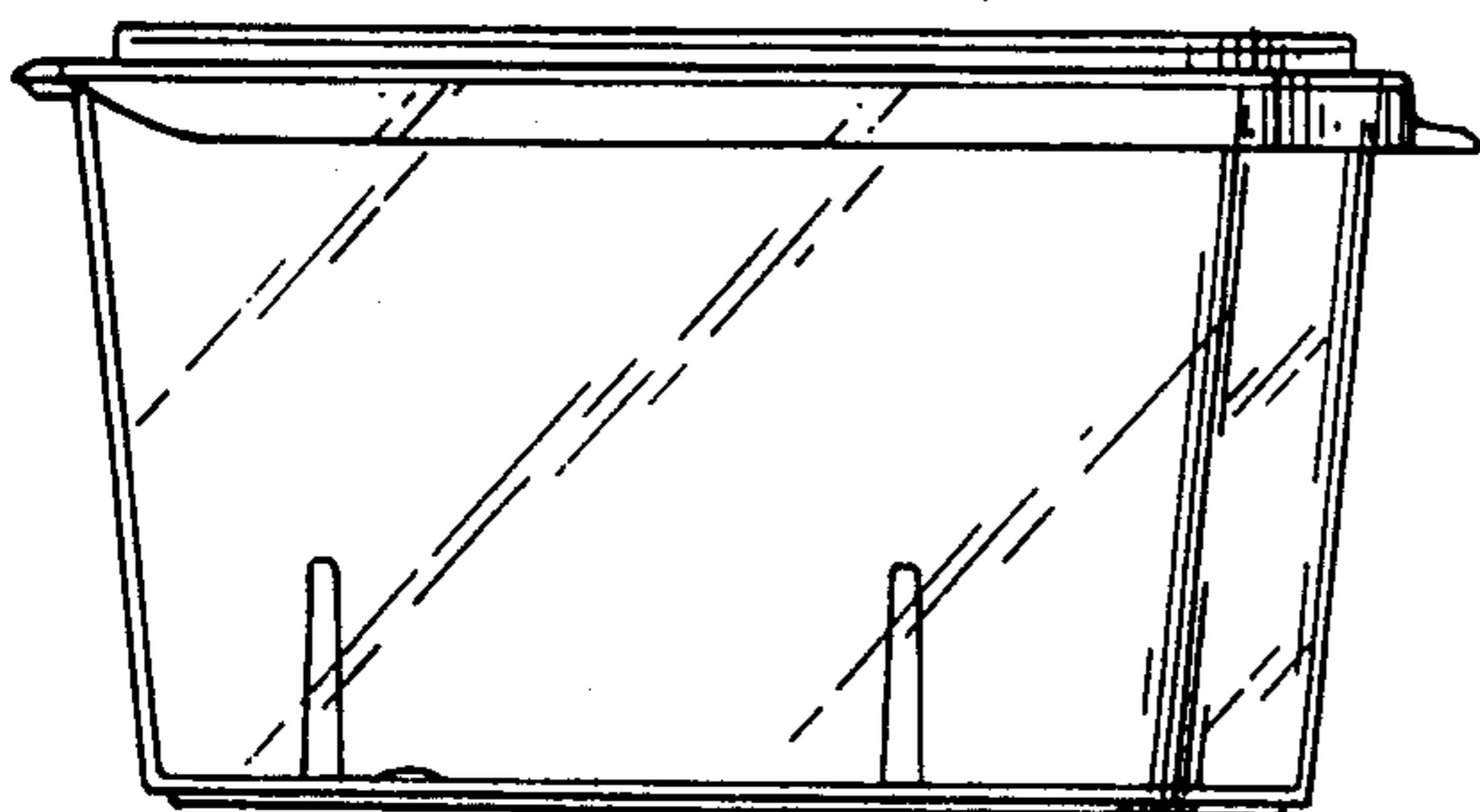


Fig. 3

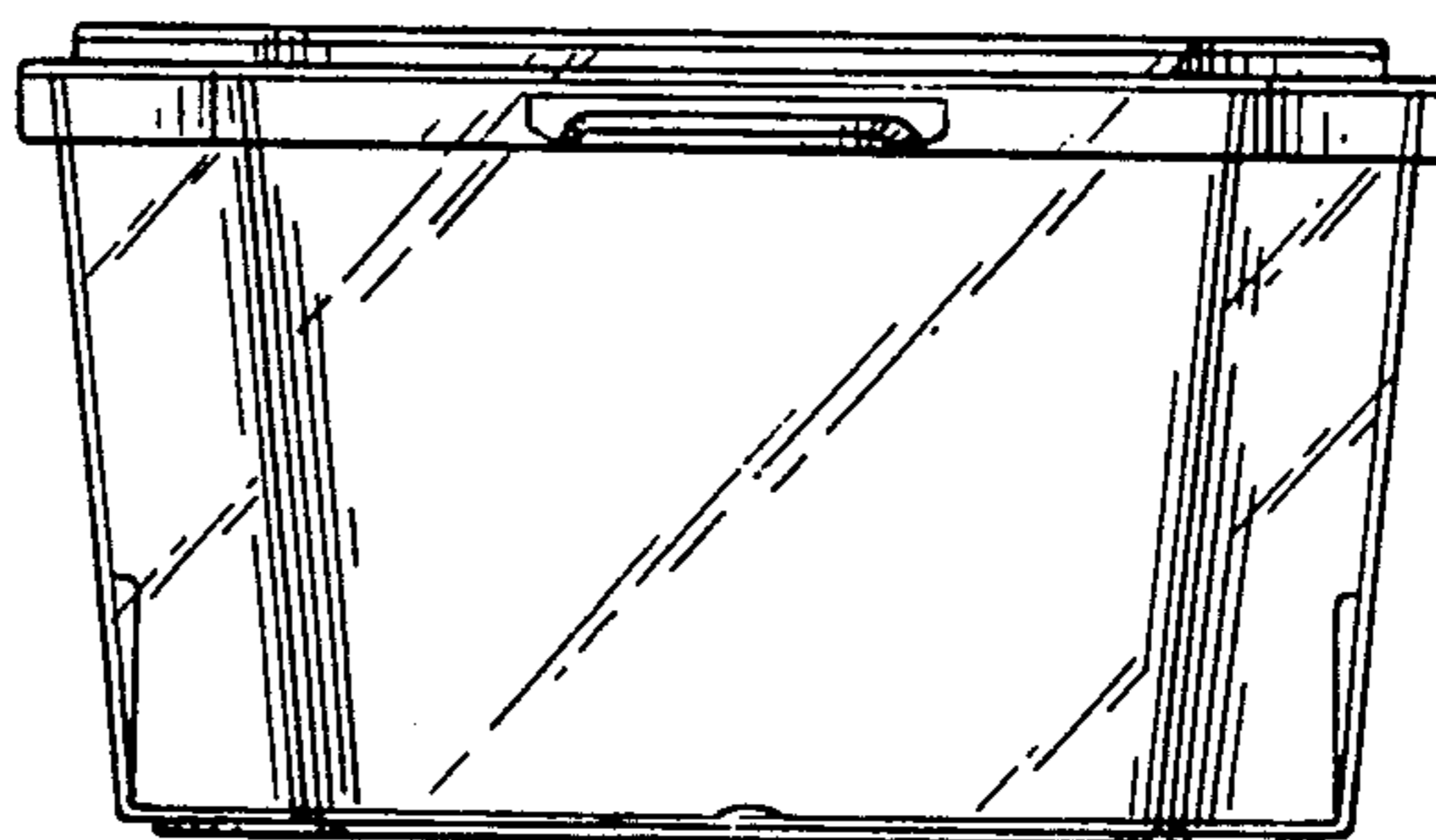


Fig. 6

