



US00D332904S

United States Patent [19]

Plummer et al.

[11] Patent Number: **Des. 332,904**

[45] Date of Patent: **** Feb. 2, 1993**

[54] HANDLE

[75] Inventors: **David D. Plummer, Hudson, Wis.;**
Randy A. Davis, Minneapolis, Minn.

[73] Assignee: **Andersen Corporation, Bayport,**
Minn.

[**] Term: **14 Years**

[21] Appl. No.: **671,290**

[22] Filed: **Mar. 18, 1991**

[52] U.S. Cl. **D8/308**

[58] Field of Search **D8/301, 308; 16/110 R;**
292/194, 347; 74/519

D. 111,016	8/1938	Curtiss .	
D. 115,670	7/1939	Hollindale	D8/308
D. 127,681	6/1941	Hodgman .	
D. 195,826	8/1963	Melcher .	
D. 231,725	6/1974	Frattini	D8/308
D. 295,947	5/1988	Valli	D8/308
D. 300,299	3/1989	Bellini	D8/308

Primary Examiner—**B. J. Bullock**
Attorney, Agent, or Firm—**Merchant, Gould, Smith,**
Edell, Welter & Schmidt

[57] CLAIM

The ornamental design for a handle, as shown and described.

DESCRIPTION

FIG. 1 is a perspective view of a handle showing my new design;
FIG. 2 is a top plan view thereof;
FIG. 3 is a side elevational view taken from the bottom of FIG. 2, the side opposite being a mirror image;
FIG. 4 is a bottom plan view thereof;
FIG. 5 is a front elevational view thereof; and,
FIG. 6 is a rear elevational view thereof.

[56] References Cited

U.S. PATENT DOCUMENTS

D. 60,576	3/1922	Schlink .
D. 80,400	1/1930	Schnell .
D. 82,598	11/1930	Brownell .
D. 84,756	7/1931	Ruppel .
D. 100,722	8/1936	Snyder et al. .
D. 106,821	11/1937	Ruppel .

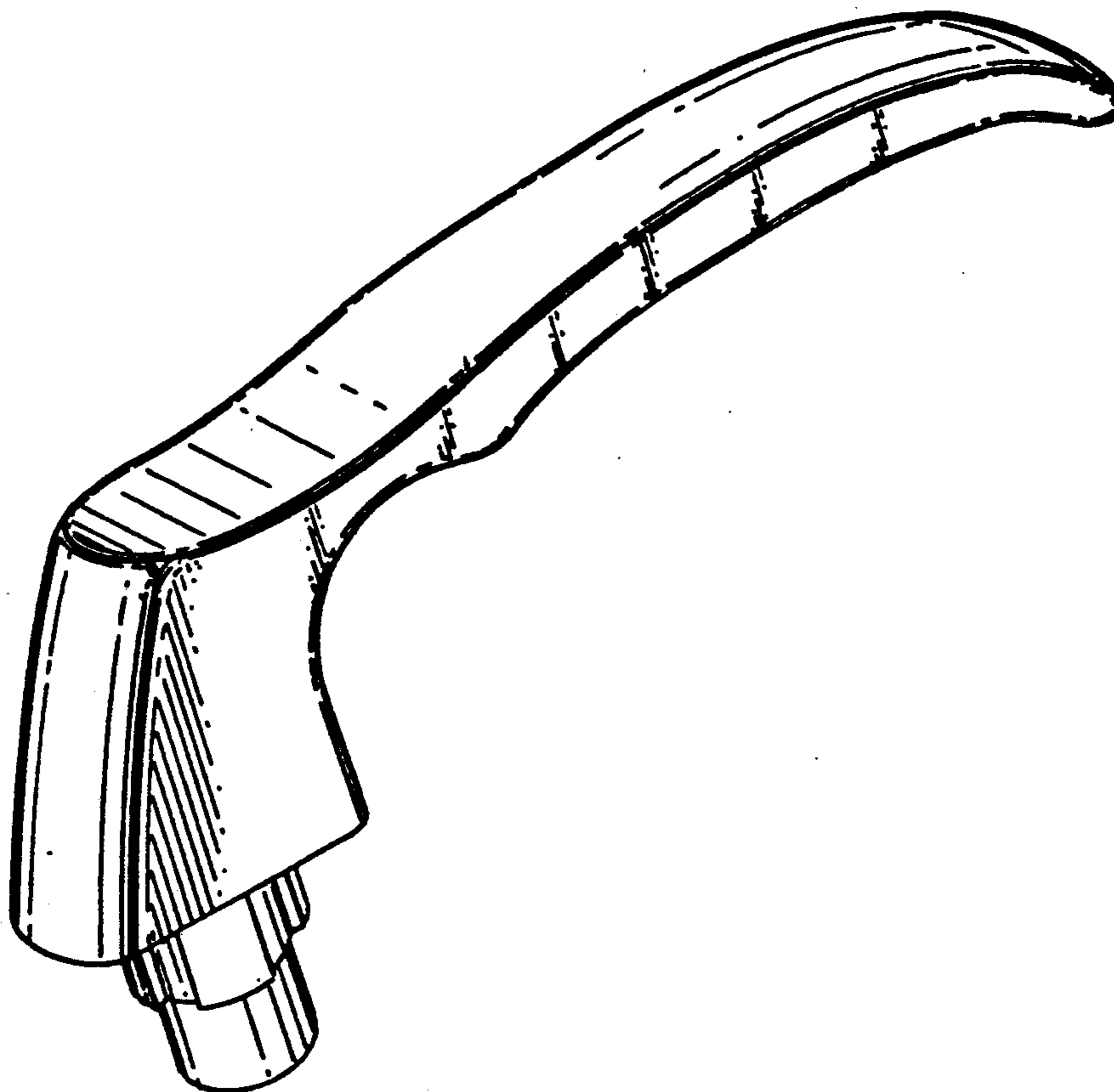


FIG. 1

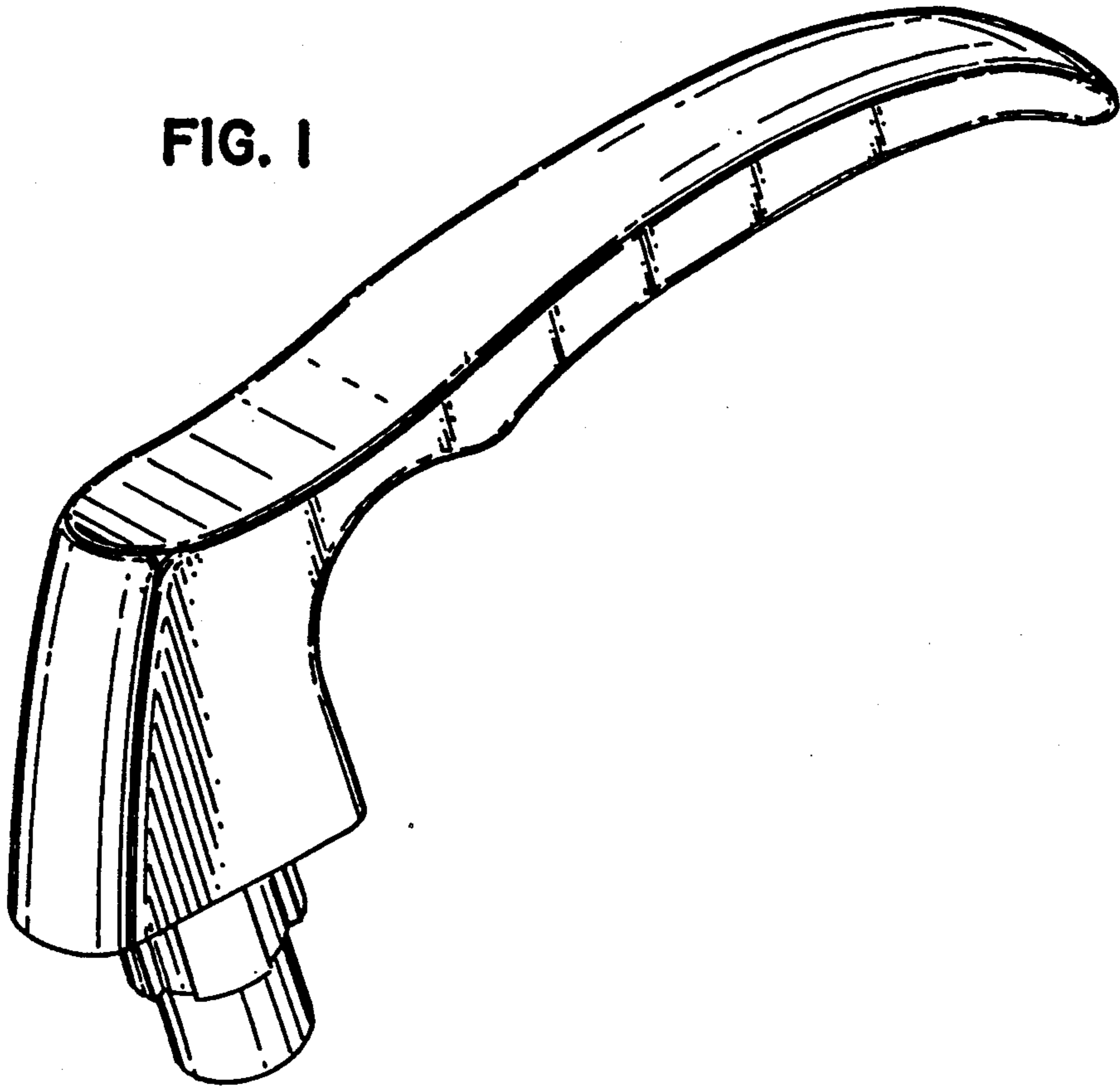


FIG. 2

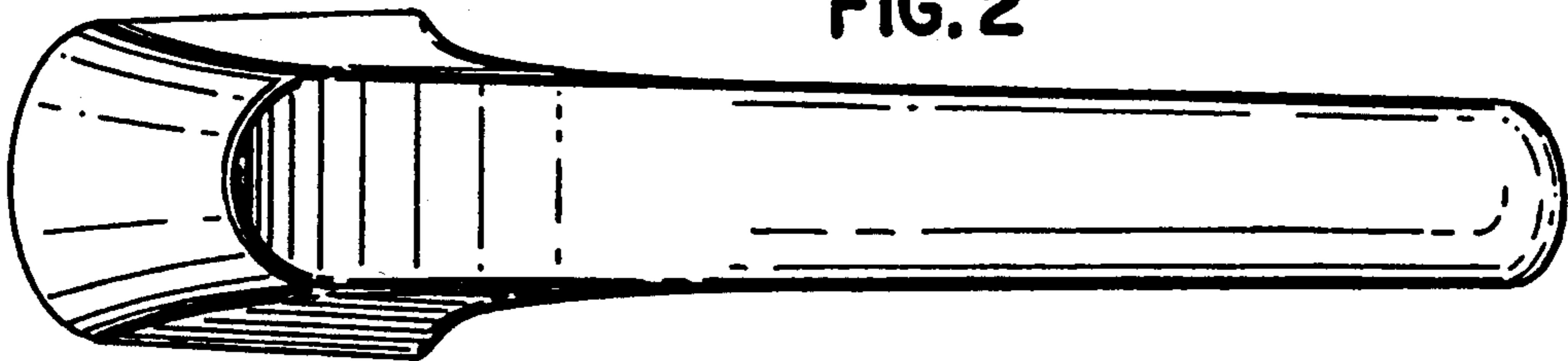


FIG. 3

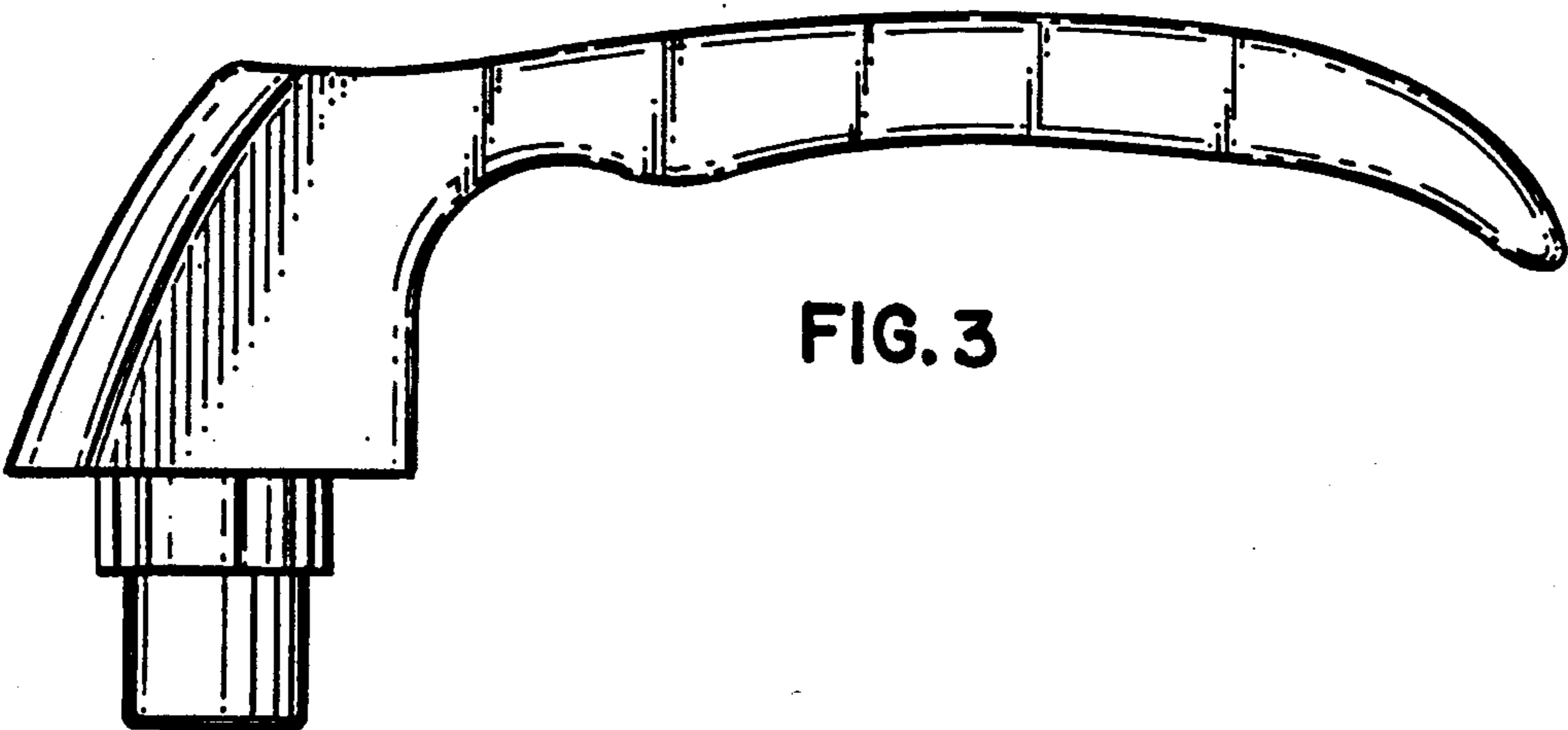


FIG.4

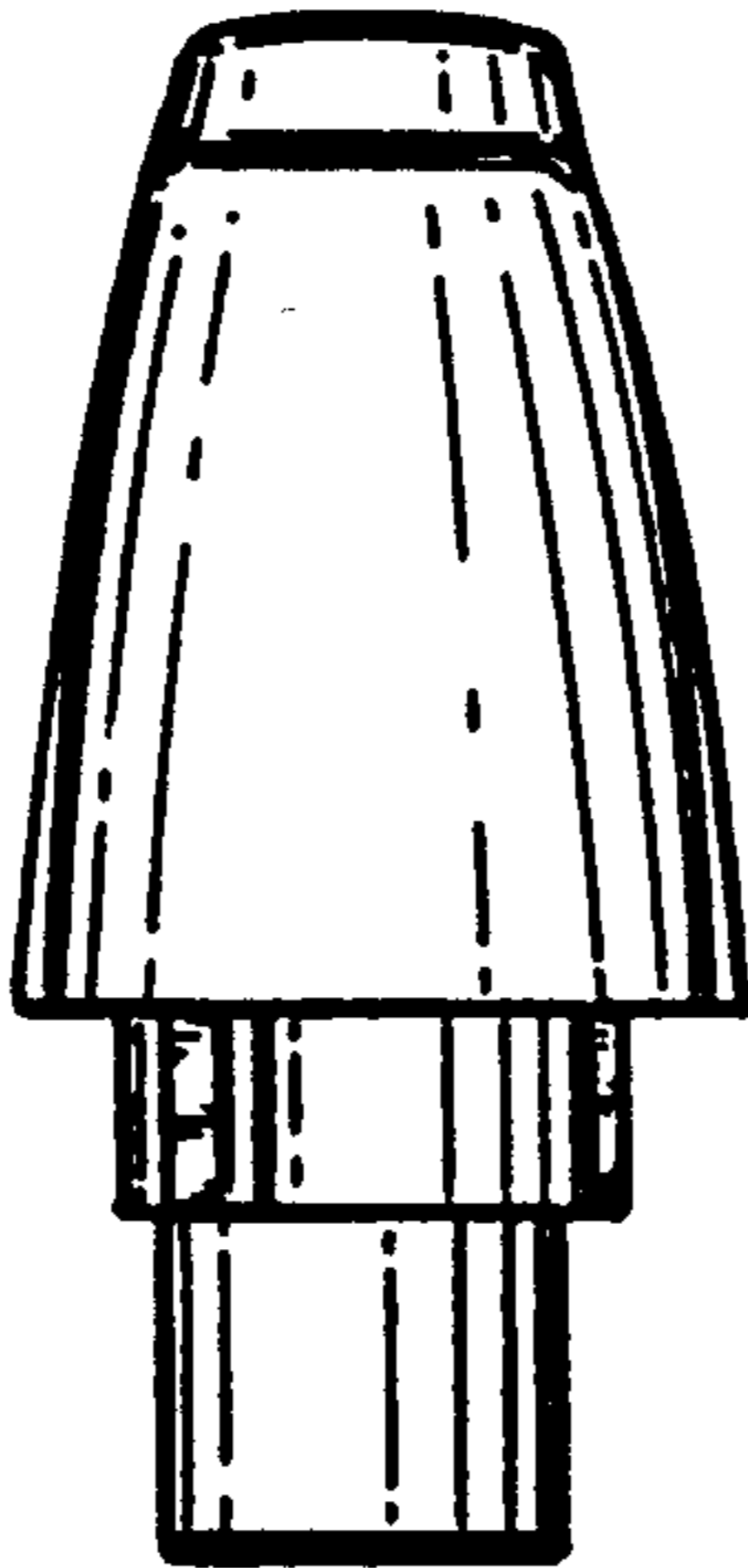
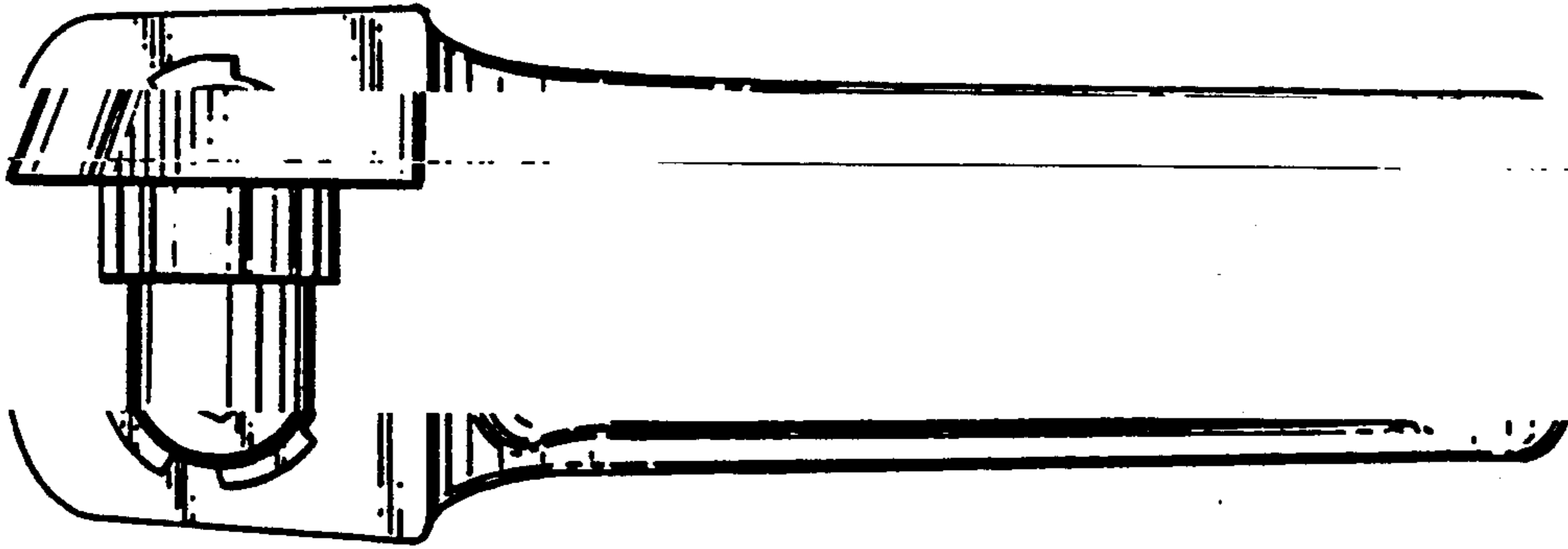


FIG.5

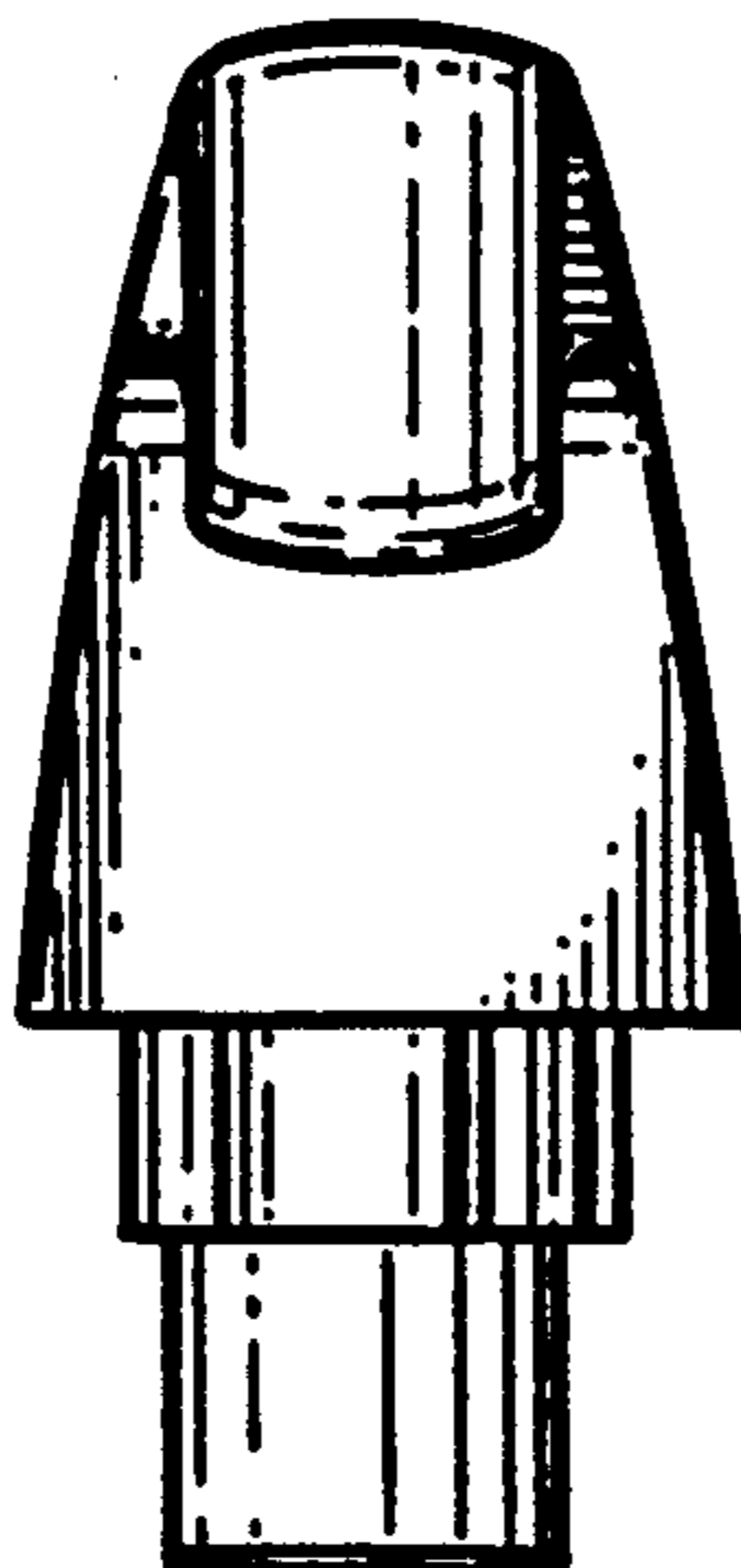


FIG.6