



US00D332902S

# United States Patent [19]

[11] Patent Number: **Des. 332,902**

**Dobson**

[45] Date of Patent: **\*\* Feb. 2, 1993**

[54] **SABRE SAW**

[75] Inventor: **Richard E. Dobson, Easley, S.C.**

[73] Assignee: **Ryobi Motor Products Corp., Easley, S.C.**

[\*\*] Term: **14 Years**

[21] Appl. No.: **559,885**

[22] Filed: **Jul. 30, 1990**

[52] U.S. Cl. .... **D8/64**

[58] Field of Search ..... **D8/61, 62, 63, 64; 30/392, 393, 394**

3,491,259	1/1970	Damijonaitis et al. ....	30/393
4,238,884	12/1980	Walton, II .....	30/393
4,283,855	8/1981	Nalley .....	30/394
4,545,123	10/1985	Hartman .....	30/393
4,693,009	9/1987	Bone .....	30/392

*Primary Examiner*—Alan P. Douglas  
*Assistant Examiner*—J. H. Musgrove  
*Attorney, Agent, or Firm*—Brooks & Kushman

### [57] CLAIM

The ornamental design of a sabre saw, as shown.

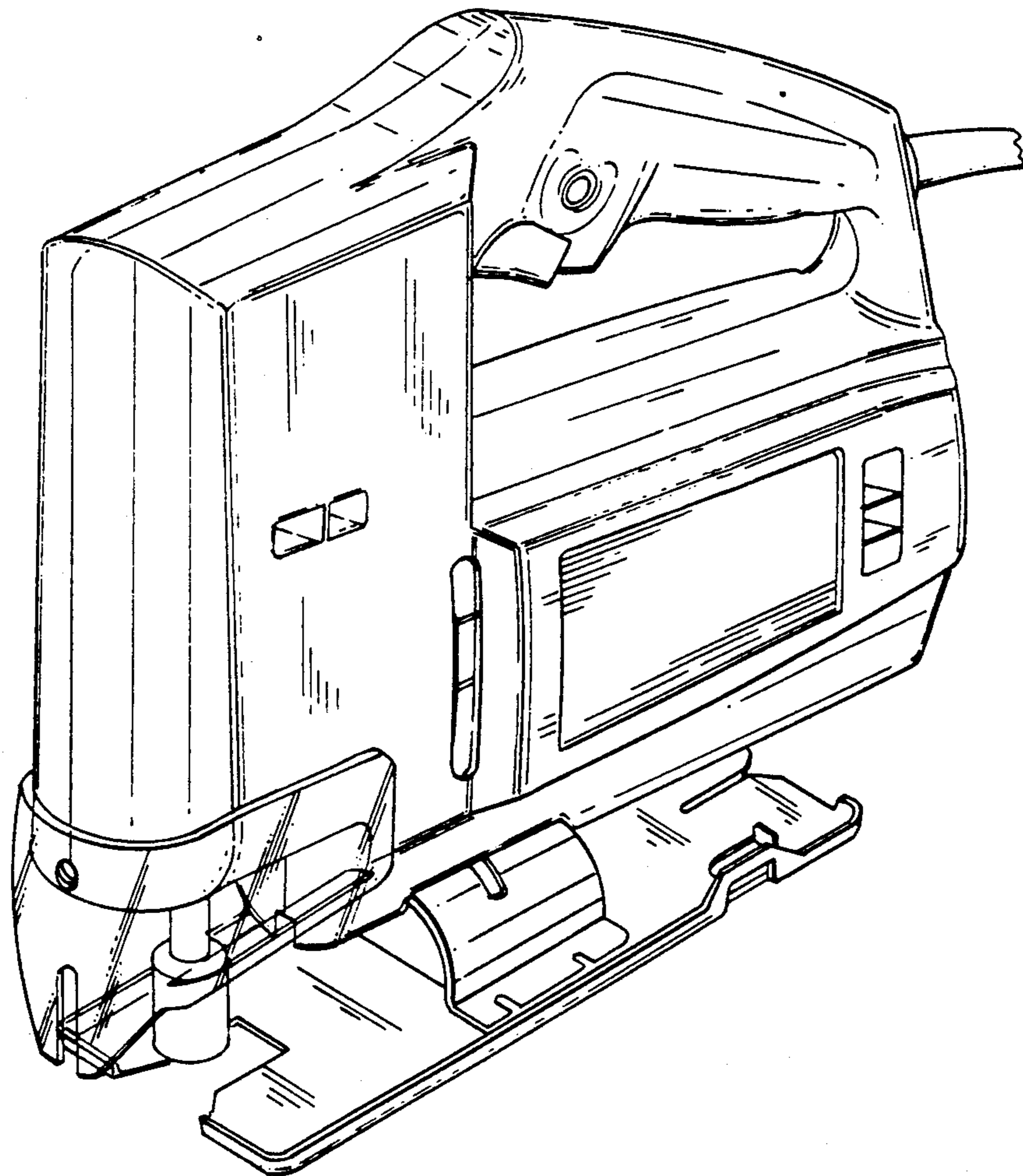
### DESCRIPTION

FIG. 1 is a top, left side and front perspective view of a sabre saw showing my new design;  
FIG. 2 is a front elevational view thereof;  
FIG. 3 is a rear elevational view thereof;  
FIG. 4 is a left side elevational view thereof;  
FIG. 5 is a right side elevational view thereof;  
FIG. 6 is a top plan view thereof;  
FIG. 7 is a bottom plan view thereof; and,  
FIG. 8 is a top, left side and front perspective view of an alternate embodiment of my design wherein the sabre saw has a scrolling feature.

### [56] References Cited

#### U.S. PATENT DOCUMENTS

D. 262,472	12/1981	Wildman .....	D8/64
D. 282,625	2/1986	Schultz et al. ....	D8/64
D. 287,930	1/1987	Somers .....	D8/64
D. 295,945	5/1988	Sakamoto et al. ....	D8/64
D. 297,208	8/1988	Somers .....	D8/64
D. 297,401	8/1988	Clowers .....	D8/64
2,946,358	7/1958	Bruck .....	30/393



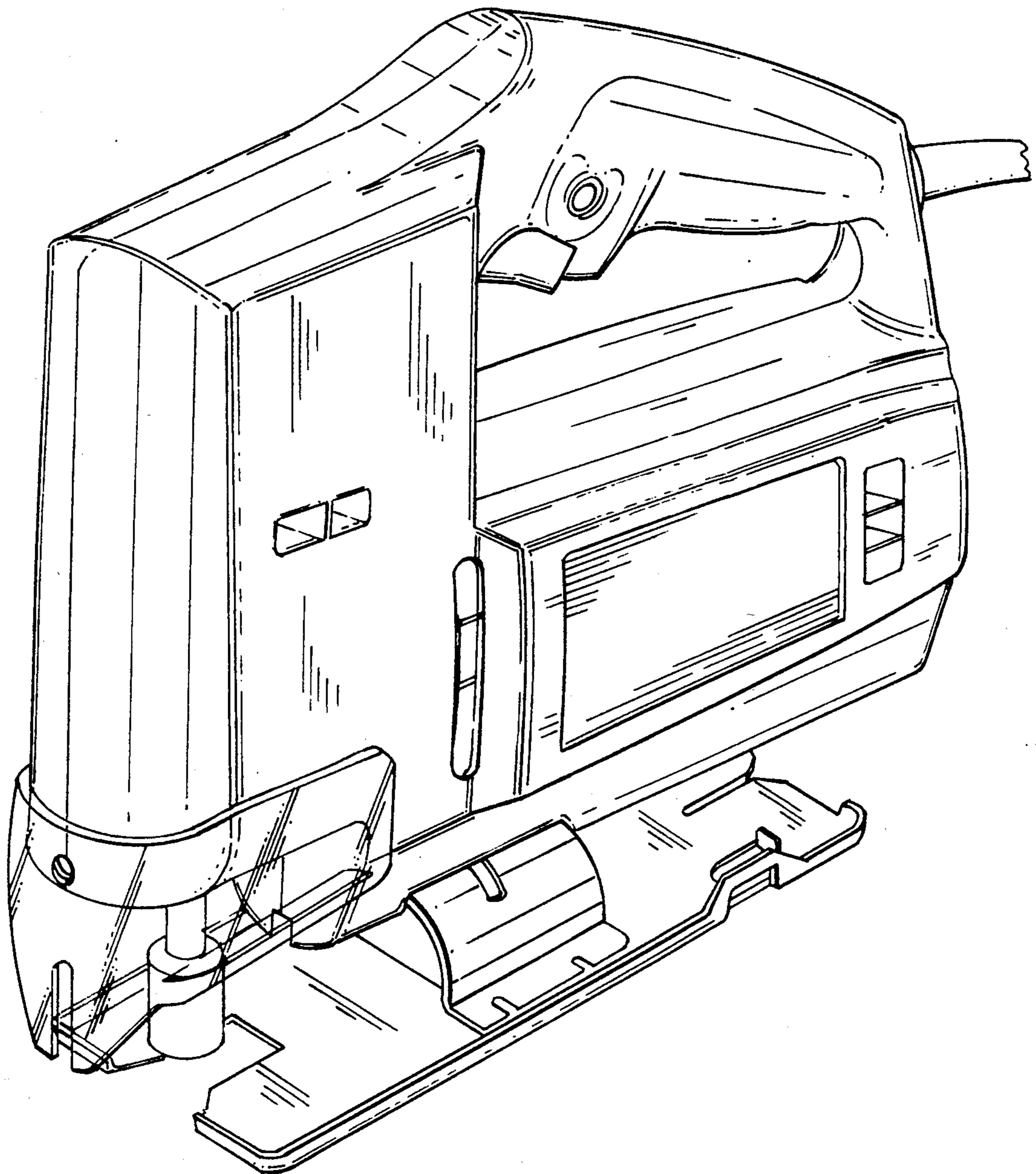


FIG. 1

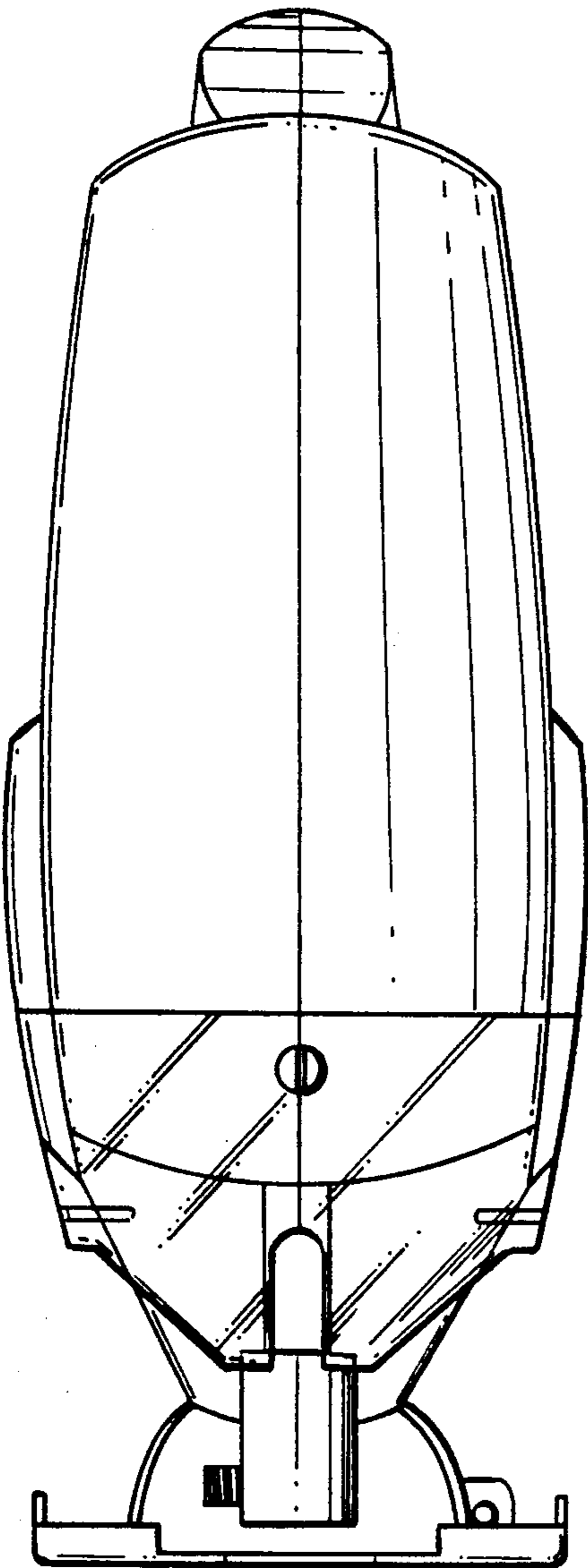


FIG. 2

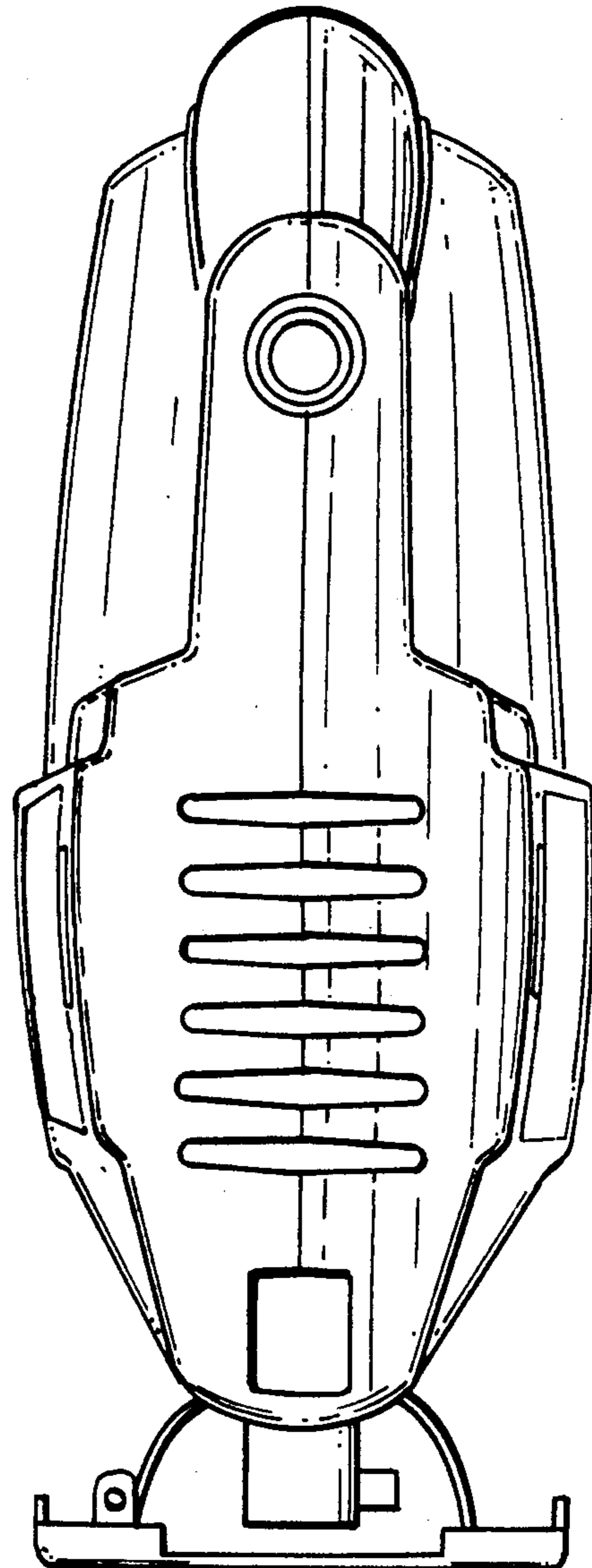


FIG. 3



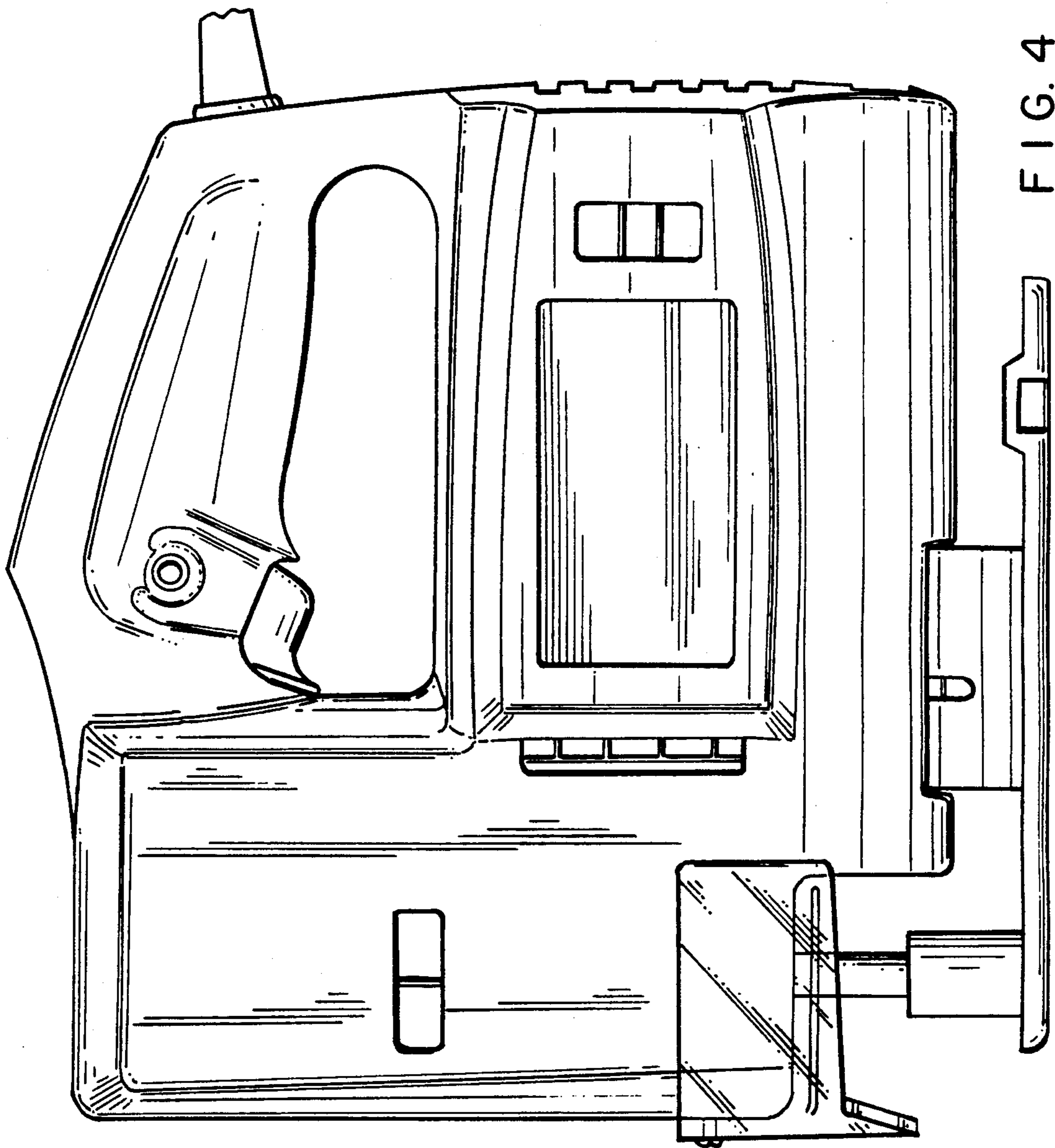


FIG. 4

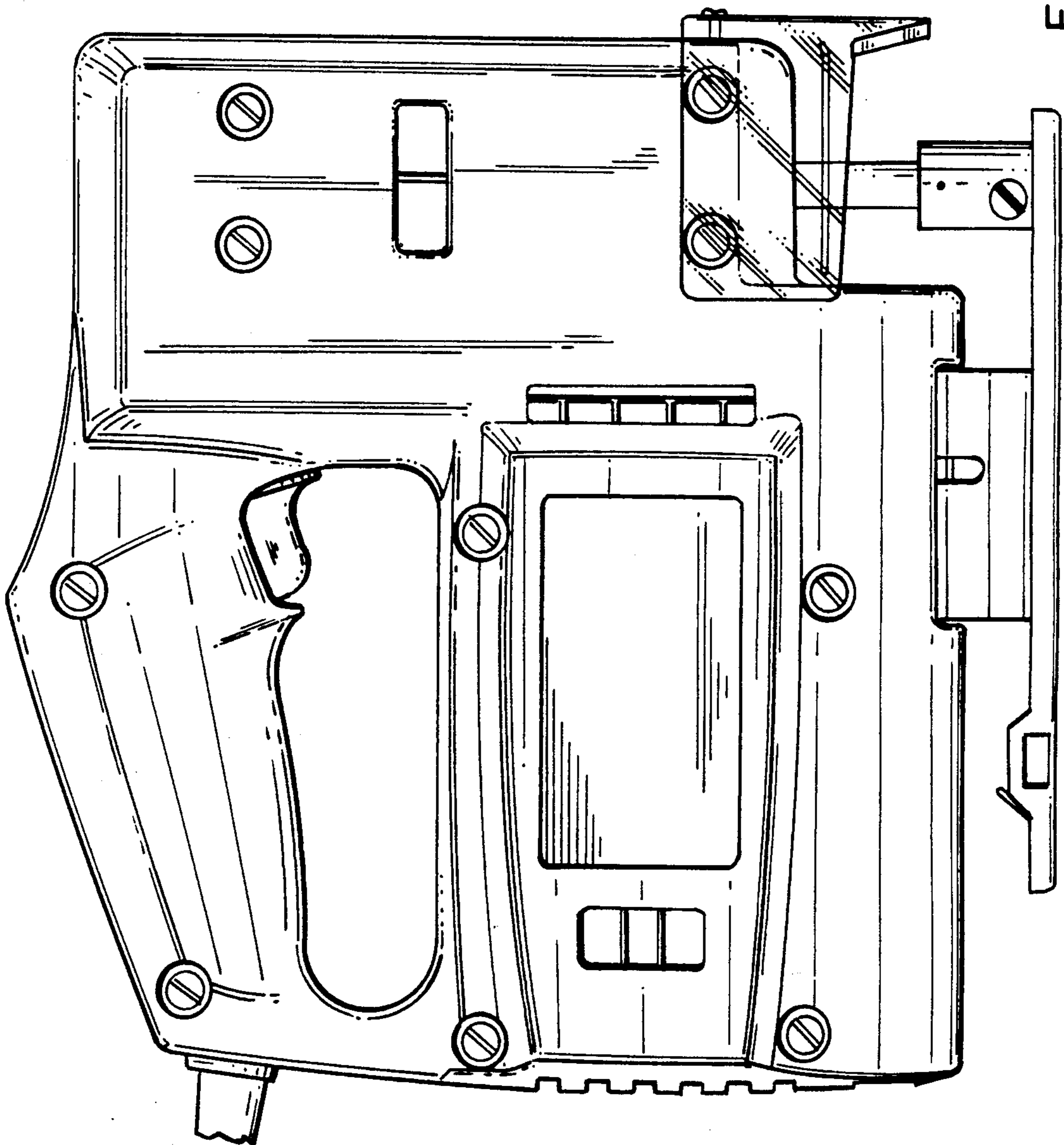


FIG. 5

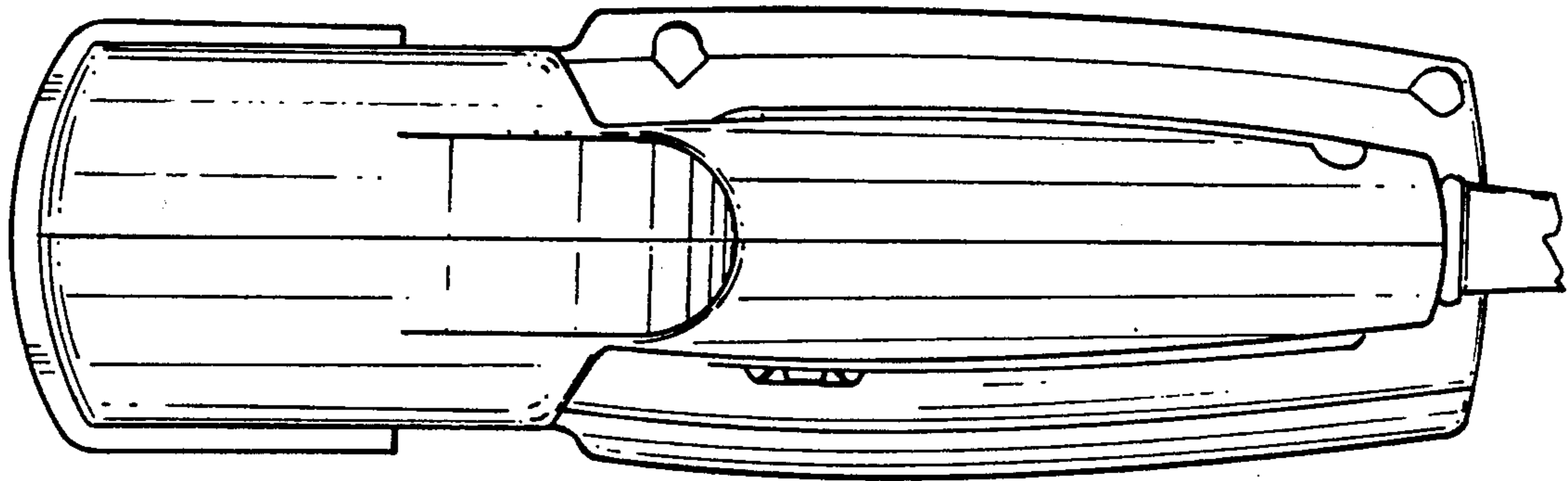


FIG. 6

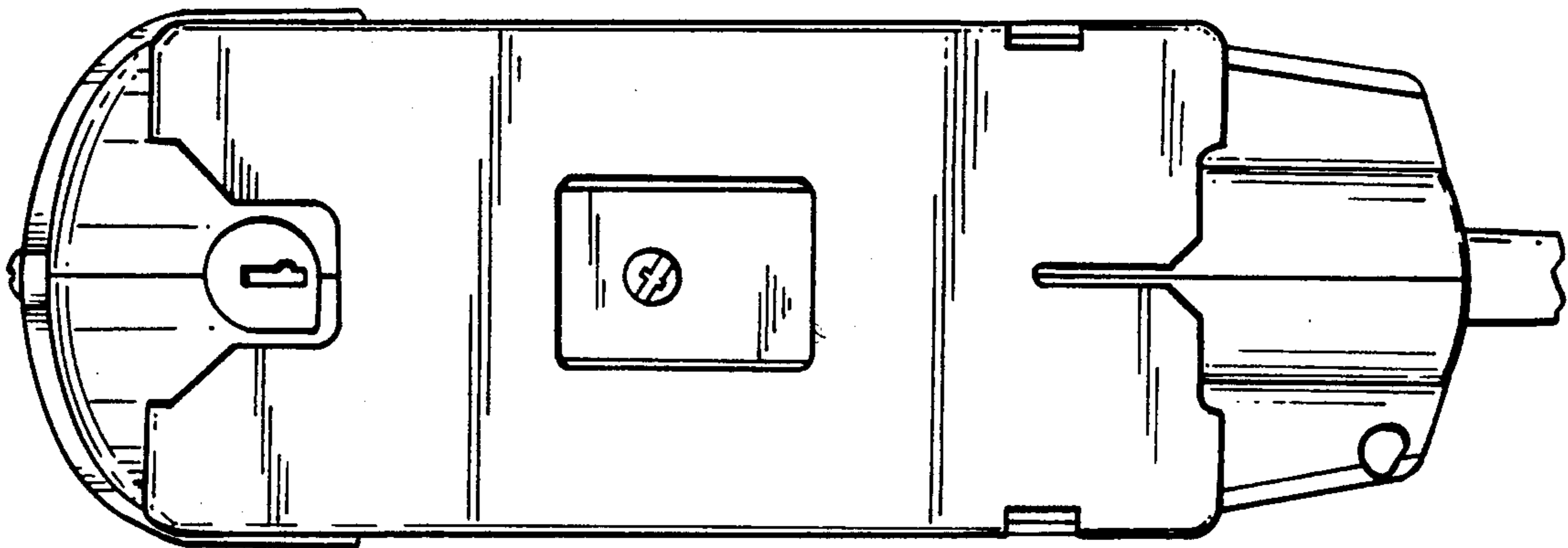


FIG. 7

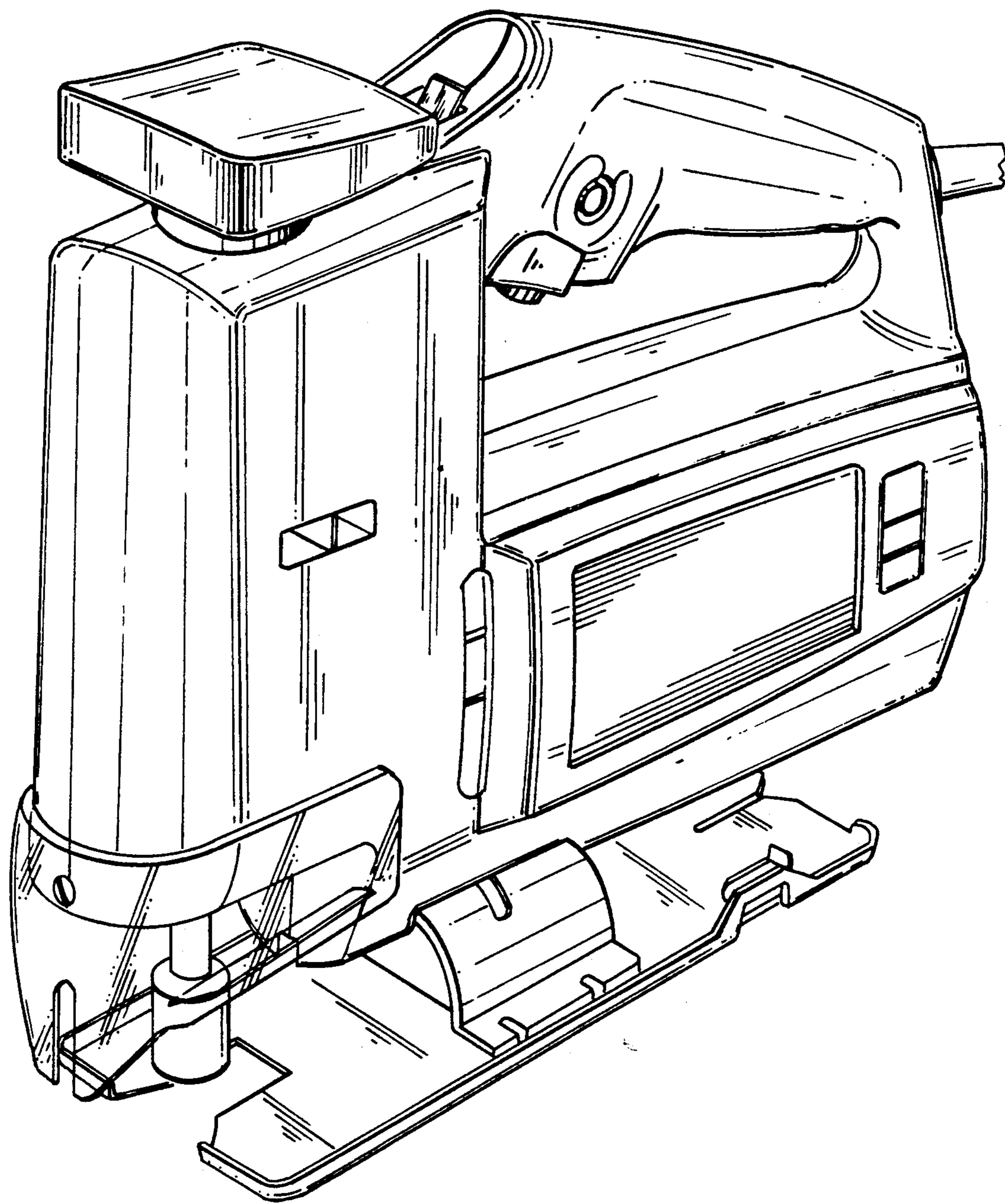


FIG. 8