



US00D332901S

**United States Patent** [19]  
**Campbell**

[11] **Patent Number: Des. 332,901**  
[45] **Date of Patent: \*\* Feb. 2, 1993**

[54] **CAULKING TOOL**  
[75] **Inventor: Carl E. Campbell, Morrison, Colo.**  
[73] **Assignee: Christian Brothers, Inc., Morrison, Colo.**  
[\*\*] **Term: 14 Years**  
[21] **Appl. No.: 574,938**  
[22] **Filed: Aug. 30, 1990**  
[52] **U.S. Cl. .... D8/45**  
[58] **Field of Search .... D8/45, 14; 7/105; 425/87; 15/105.5, 235.3, 236.01, 235.4, 235.5, 235.6, 235.7**

3,846,060 11/1974 Otis ..... 15/235.7  
4,211,501 7/1980 Pedroso et al. .... 15/235.7  
4,248,660 2/1981 Johnson ..... 15/236.01

*Primary Examiner—Bernard Ansher*  
*Assistant Examiner—Philip Hyder*  
*Attorney, Agent, or Firm—Jay K. Malkin*

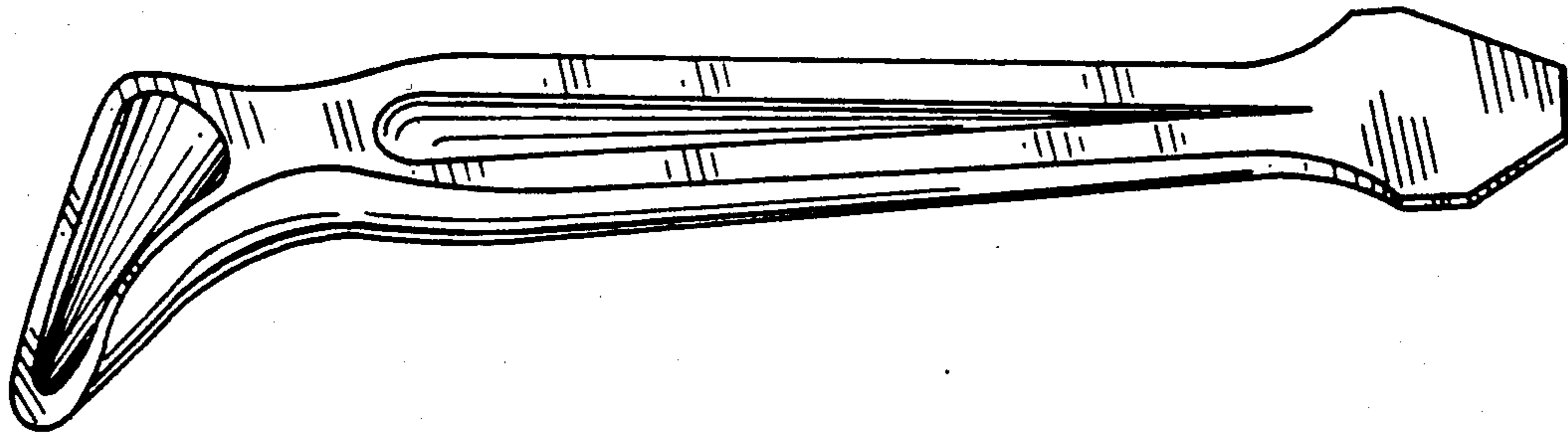
[57] **CLAIM**

The ornamental design for a caulking tool, as shown and described.

**DESCRIPTION**

FIG. 1 is a bottom perspective view of a caulking tool showing my new design;  
FIG. 2 is a top perspective view thereof;  
FIG. 3 is a top plan view thereof;  
FIG. 4 is a bottom plan view thereof;  
FIG. 5 is a front elevational view thereof, the rear view being a mirror image;  
FIG. 6 is a left side elevational view thereof; and,  
FIG. 7 is a right side elevational view thereof.

[56] **References Cited**  
**U.S. PATENT DOCUMENTS**  
2,271,285 1/1942 Bussert ..... 425/458  
3,087,654 4/1963 Moore ..... 425/87  
3,744,079 7/1973 Krause ..... 15/235.7  
3,761,992 10/1973 Schneller ..... 15/235.7



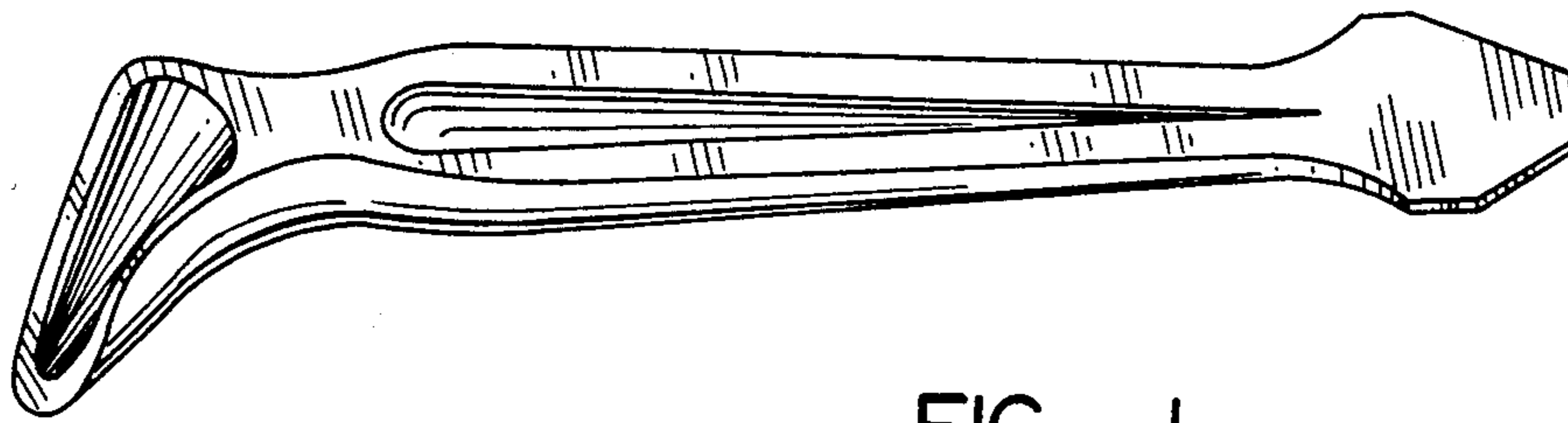


FIG. 1

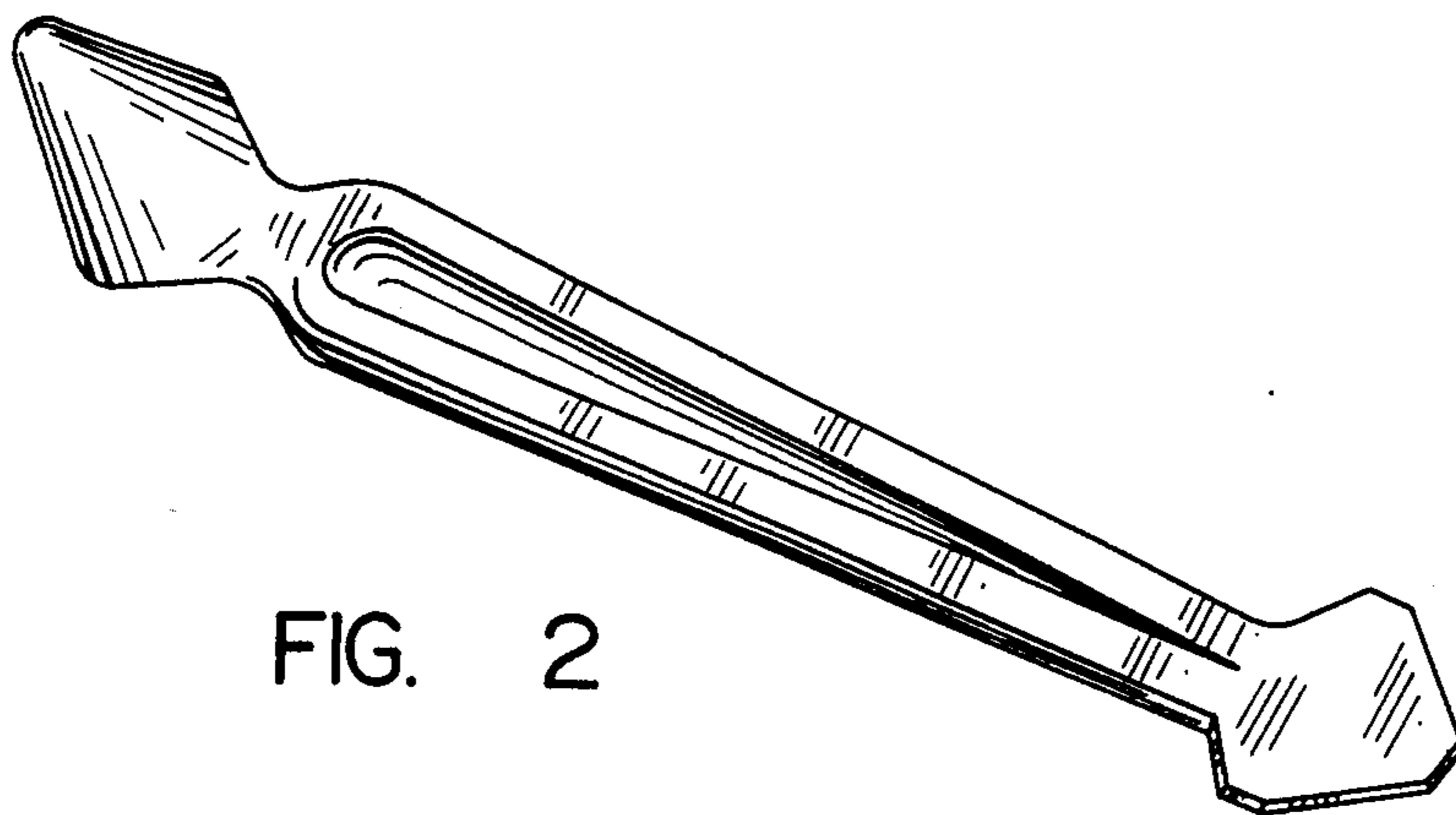


FIG. 2

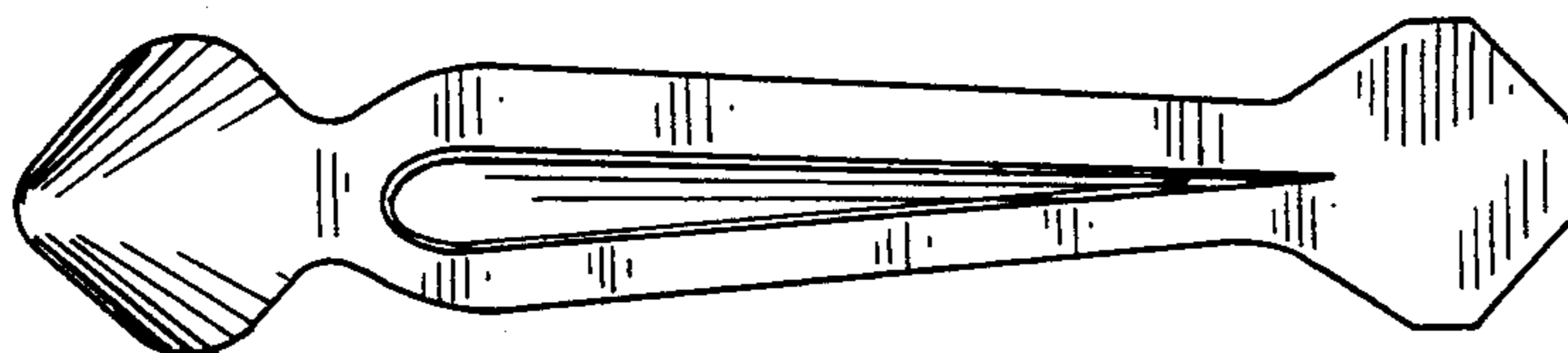


FIG. 3

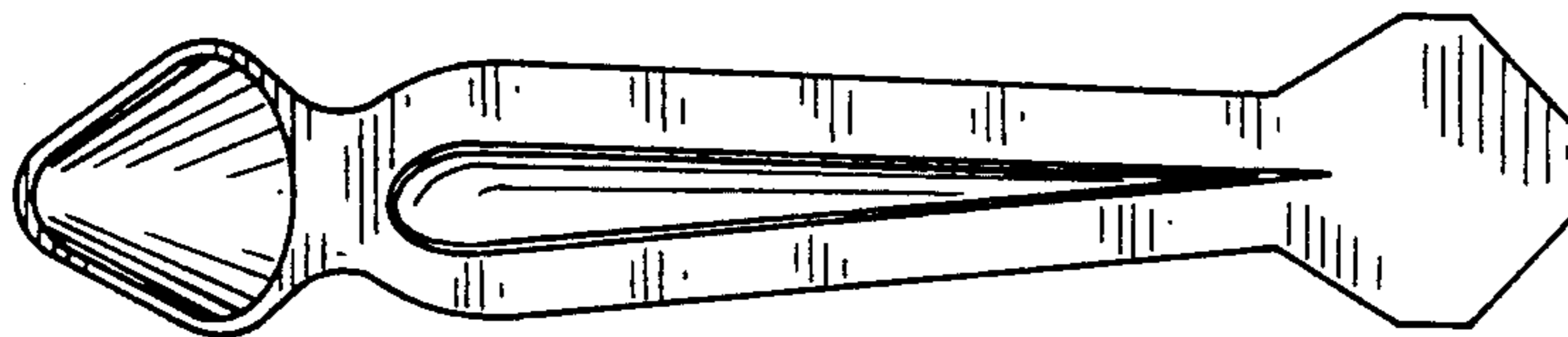


FIG. 4

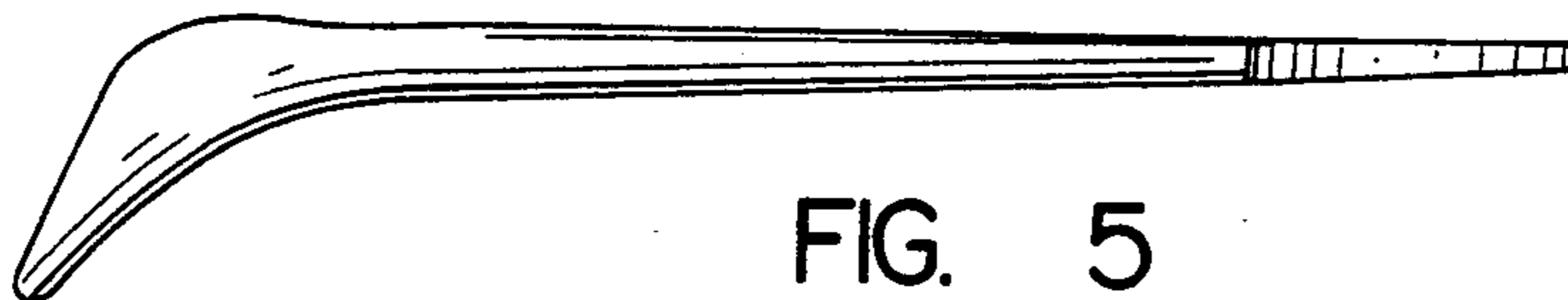


FIG. 5

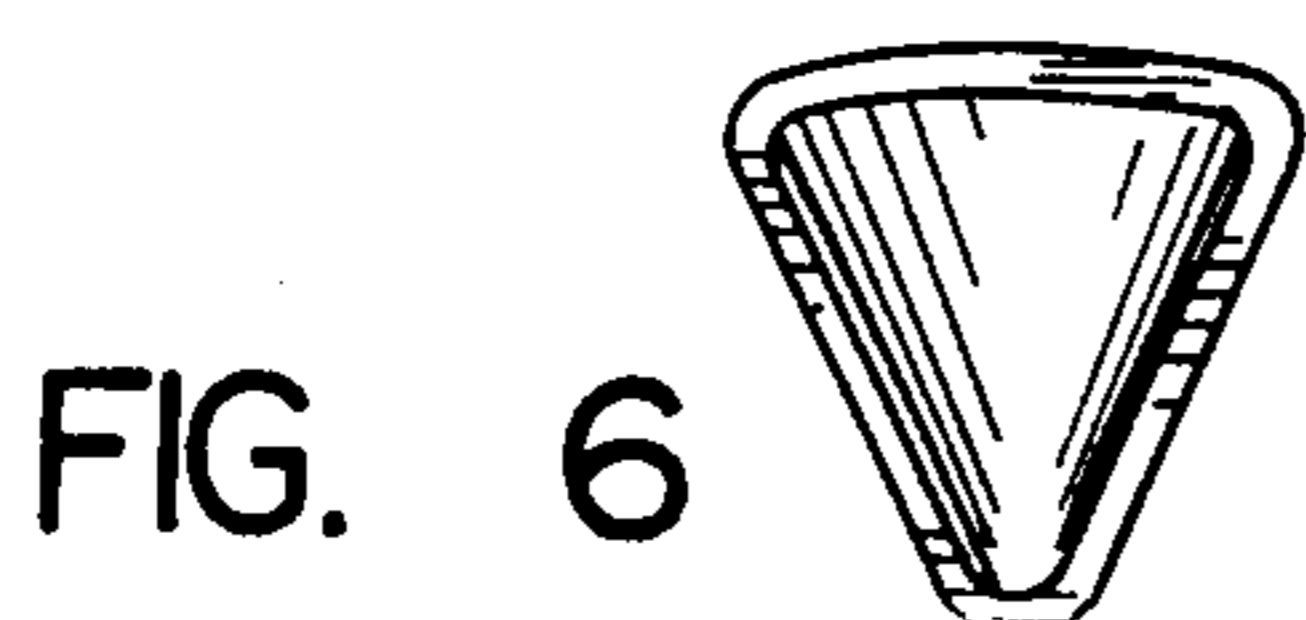


FIG. 6

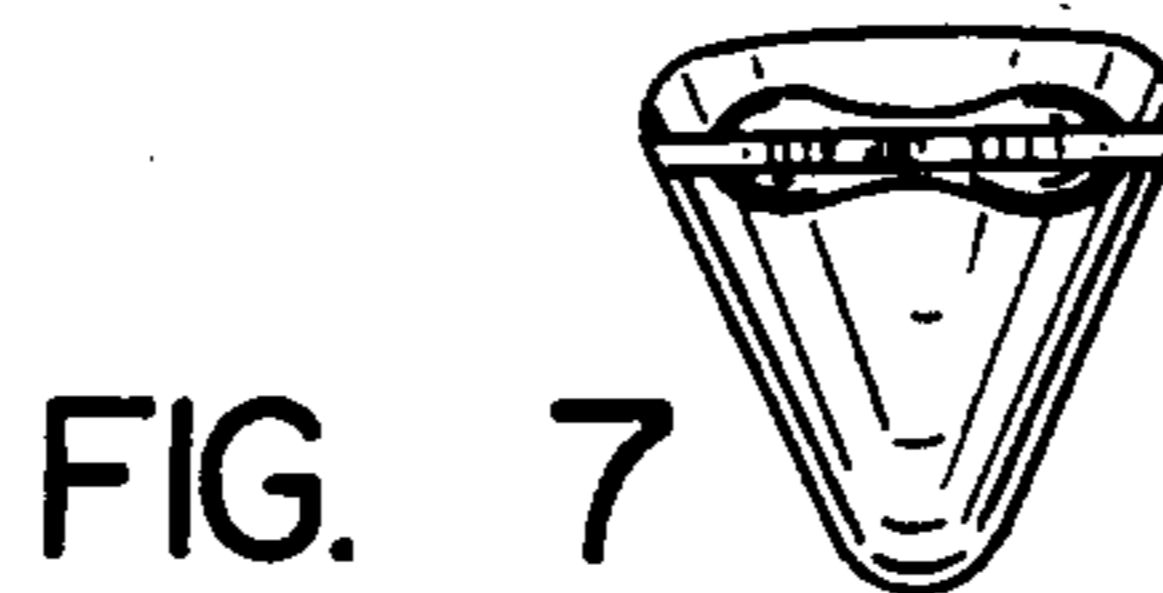


FIG. 7