



US00D332899S

United States Patent [19]

[11] Patent Number: **Des. 332,899**

Shun

[45] Date of Patent: **** Feb. 2, 1993**

[54] **JUICER**

[56] **References Cited**

[75] Inventor: **So Shun, Kowloon, Hong Kong**

U.S. PATENT DOCUMENTS

D. 150,398 8/1948 Bergen et al. D7/665
D. 153,645 5/1949 Stiles D7/665

[73] Assignee: **Ki Mee Metal & Plastic Factory Limited, Hong Kong**

Primary Examiner—Terry A. Pfeffer
Attorney, Agent, or Firm—Wood, Herron & Evans

[**] Term: **14 Years**

[57] CLAIM

[21] Appl. No.: **635,781**

The ornamental design for a juicer, as shown.

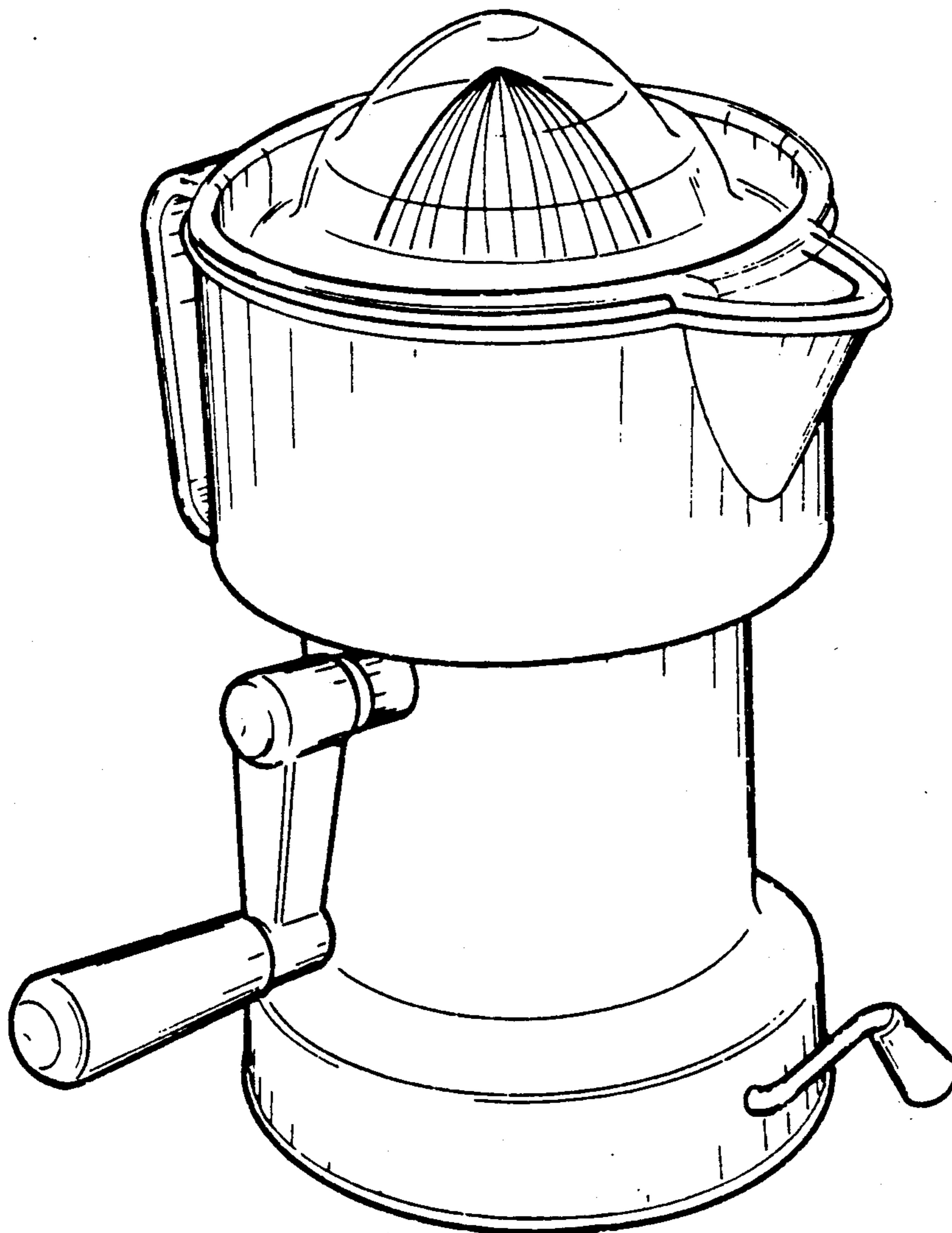
[22] Filed: **Dec. 28, 1990**

DESCRIPTION

[30] Foreign Application Priority Data

Jul. 16, 1990 [GB] United Kingdom 2008324
[52] U.S. Cl. D7/666
[58] Field of Search D7/372-374,
D7/665, 666; 99/501-506; 100/98 R, 107, 213

FIG. 1 is a top, front, left side perspective view of a juicer showing my new design;
FIG. 2 is a left side elevational view thereof;
FIG. 3 is a top plan view thereof;
FIG. 4 is a bottom plan view thereof;
FIG. 5 is a an exploded perspective view thereof; and,
FIG. 6 is an exploded perspective view thereof.



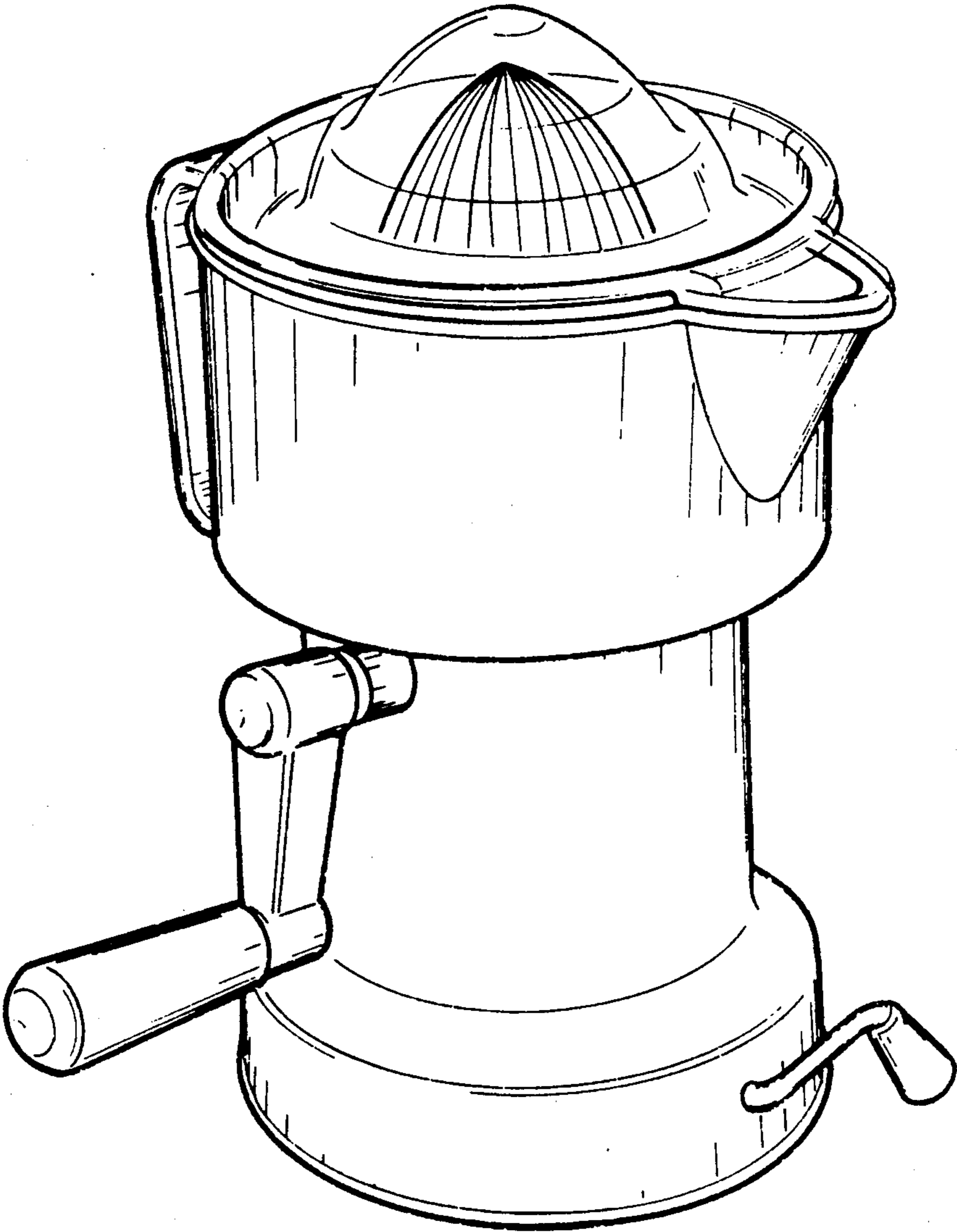


FIG. 1

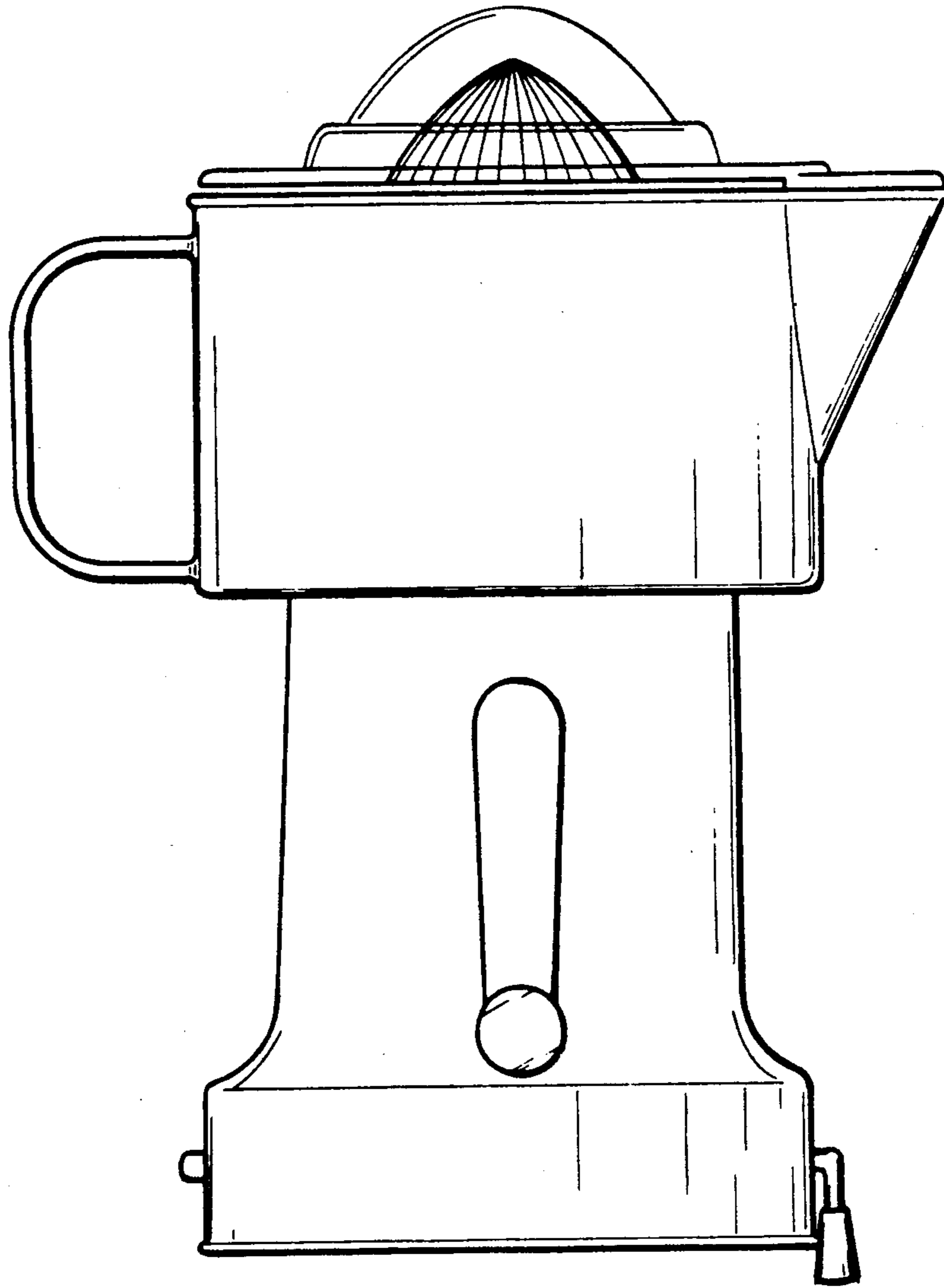


FIG. 2

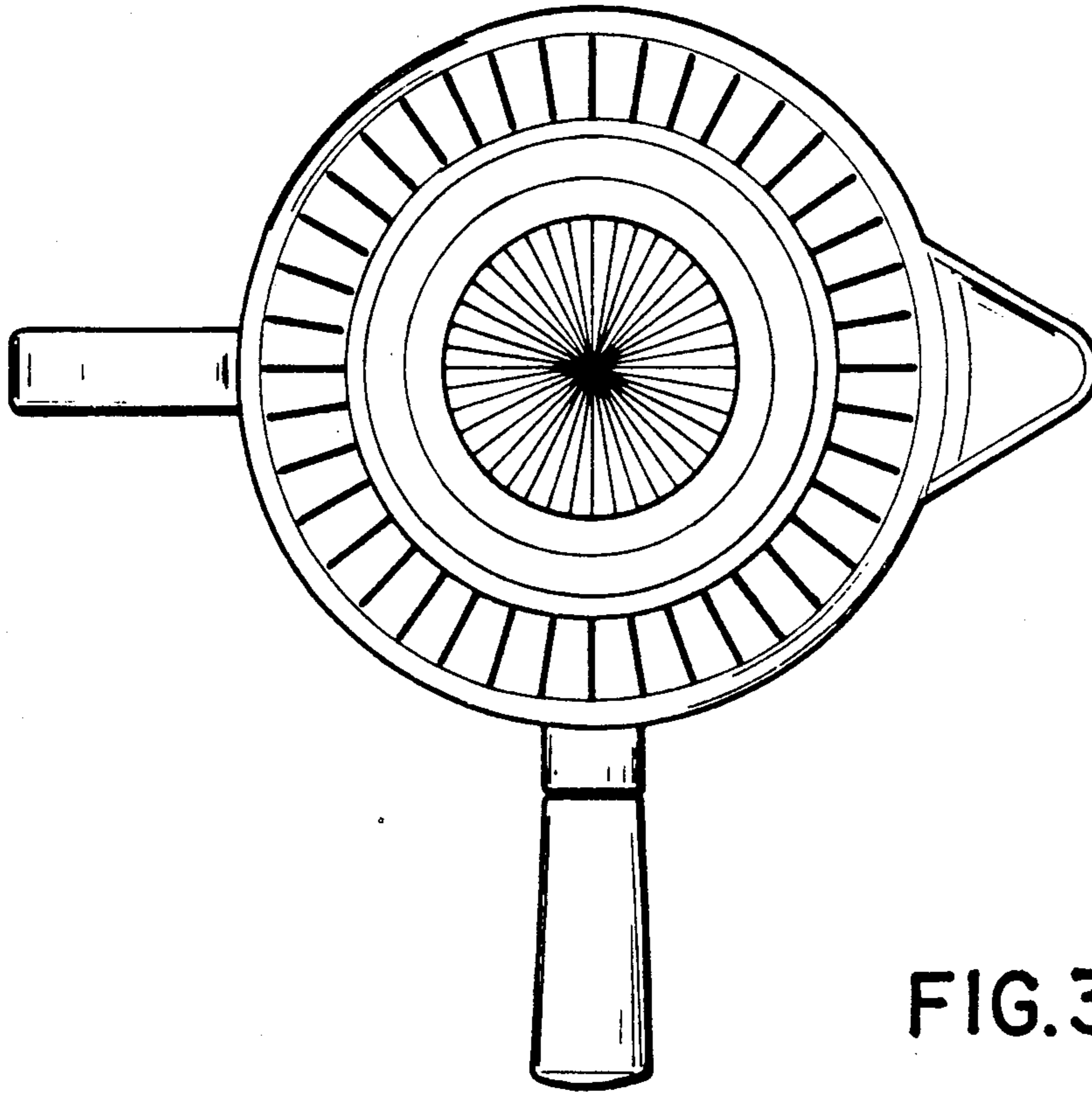


FIG. 3

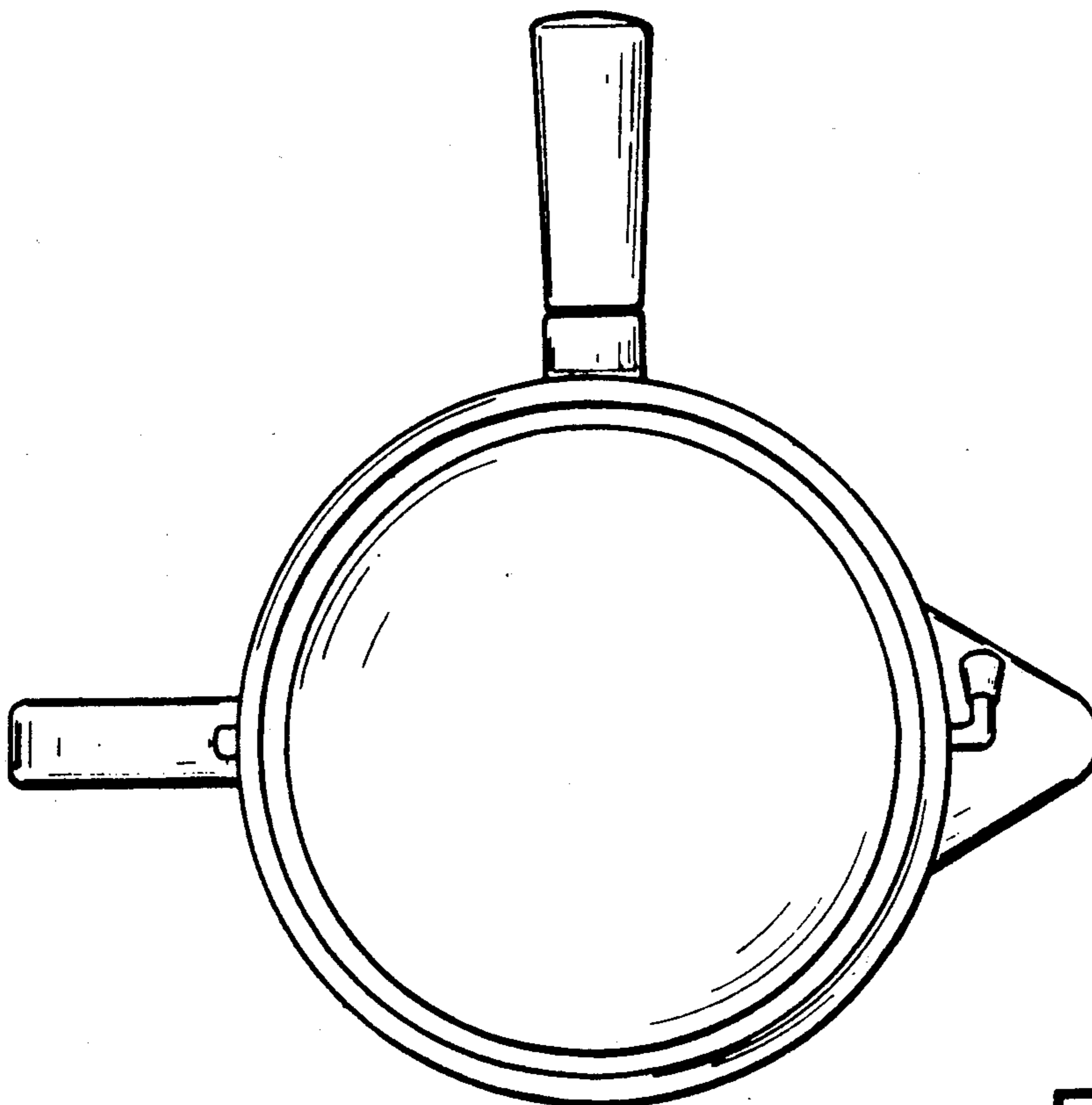


FIG. 4

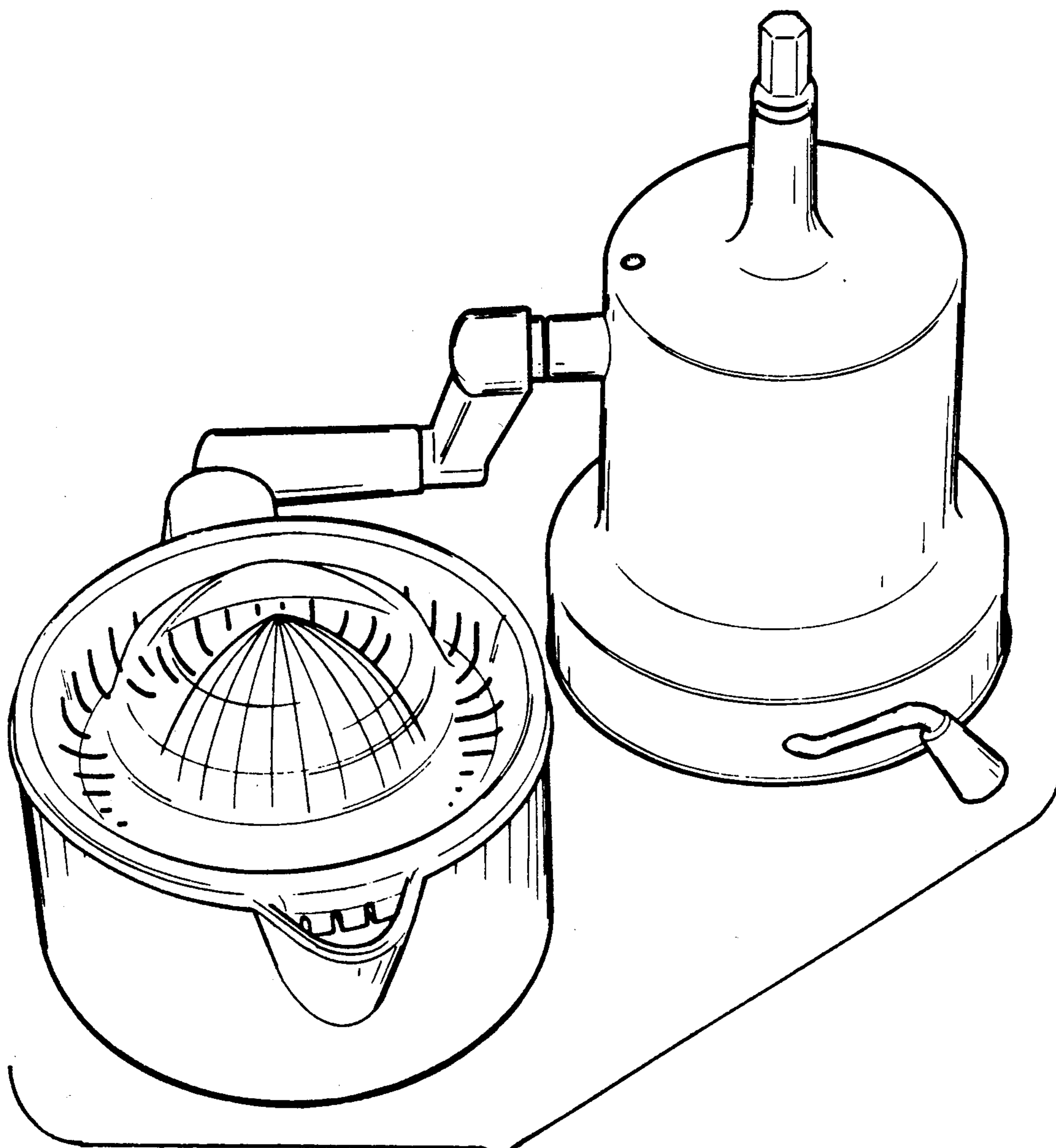


FIG. 5

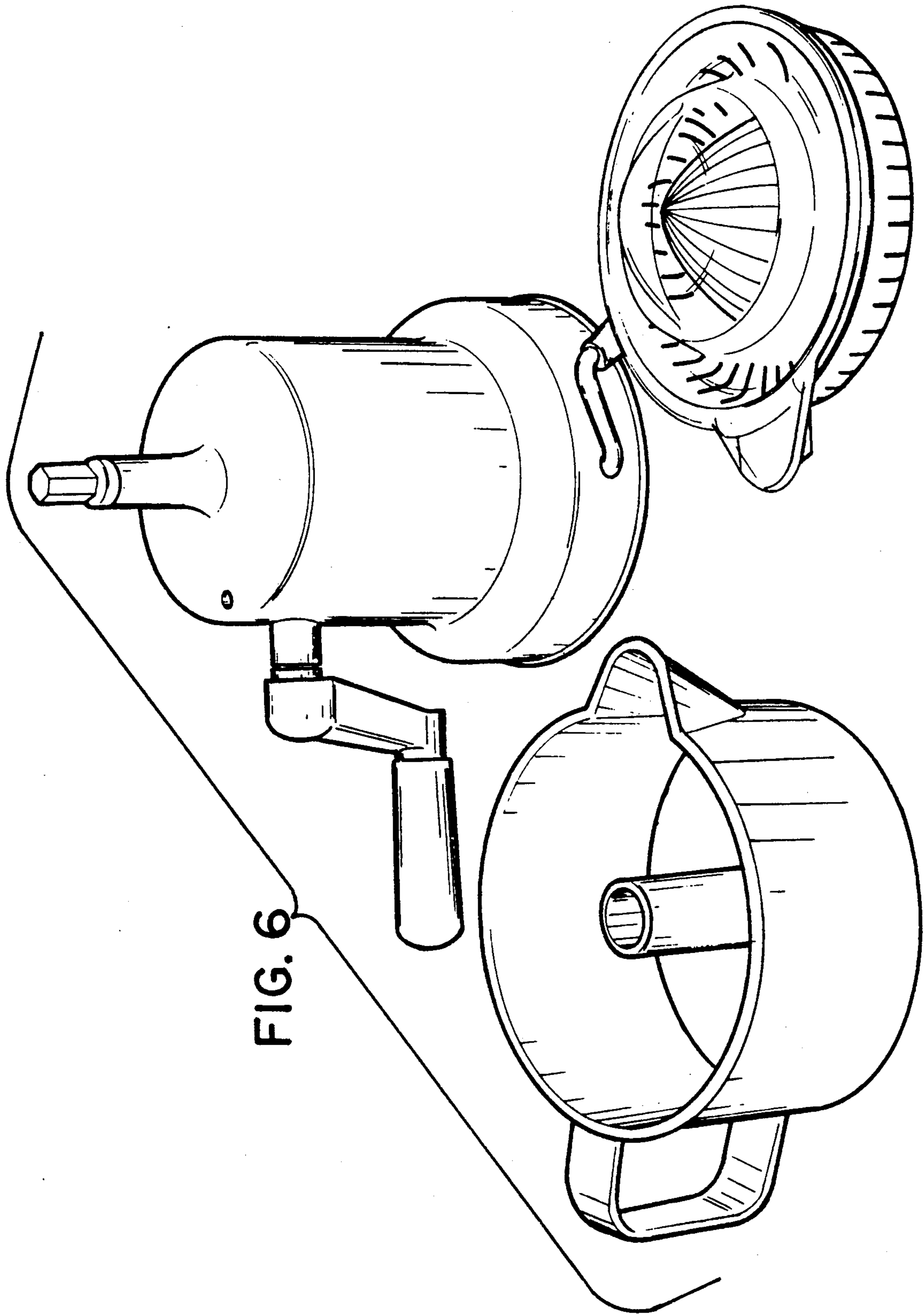


FIG. 6