



US00D332897S

United States Patent [19]

[11] Patent Number: **Des. 332,897**

Bucher et al.

[45] Date of Patent: **** Feb. 2, 1993**

[54] **COMBINED CONTAINER WITH LID**

[56] **References Cited**

[75] Inventors: **Anne C. Bucher, Rolling Meadows;
Marcia Baxter, Chicago, both of Ill.**

U.S. PATENT DOCUMENTS

D. 282,896 3/1986 Conti et al. D7/614 X
2,816,589 12/1957 Tupper D7/629 X

[73] Assignee: **Kraft General Foods, Inc.,
Northfield, Ill.**

Primary Examiner—Terry A. Pfeffer
Attorney, Agent, or Firm—Fitch, Even, Tabin &
Flannery

[**] Term: **14 Years**

[57] **CLAIM**

The ornamental design for combined container with lid,
as shown.

[21] Appl. No.: **717,718**

DESCRIPTION

[22] Filed: **Jun. 19, 1991**

[52] U.S. Cl. **D7/629**

[58] Field of Search D7/391, 392.1, 538,
D7/542, 612-615, 629; D9/414, 424, 425, 428;
220/305-306, 352, 355-356, 574-575

FIG. 1 is a top perspective view of a combined con-
tainer with lid showing our new design;
FIG. 2 is a bottom perspective view thereof;
FIG. 3 is a top plan view thereof;
FIG. 4 is a side elevational view thereof; and,
FIG. 5 is a bottom plan view thereof.

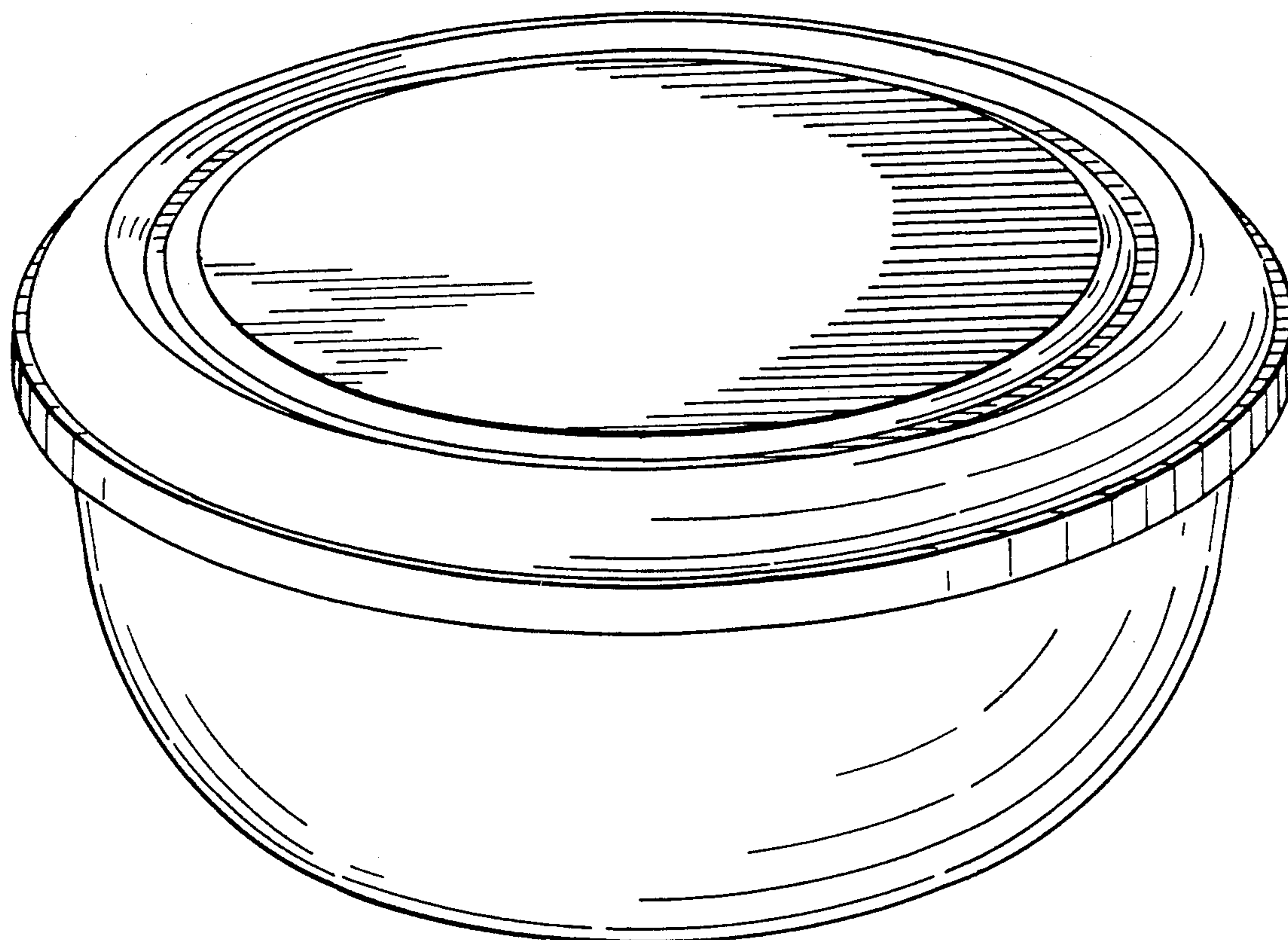


Fig. 1

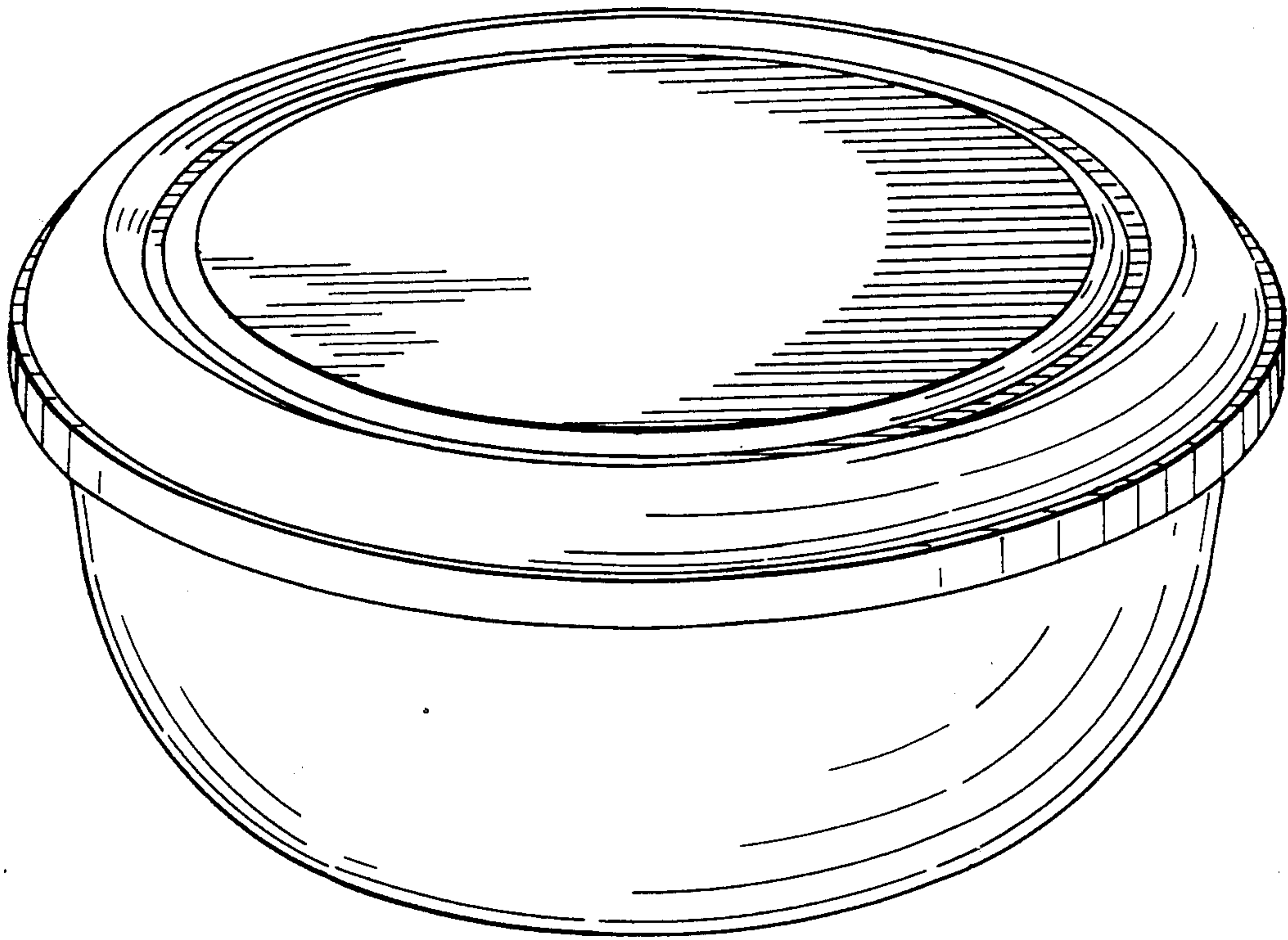


Fig. 2

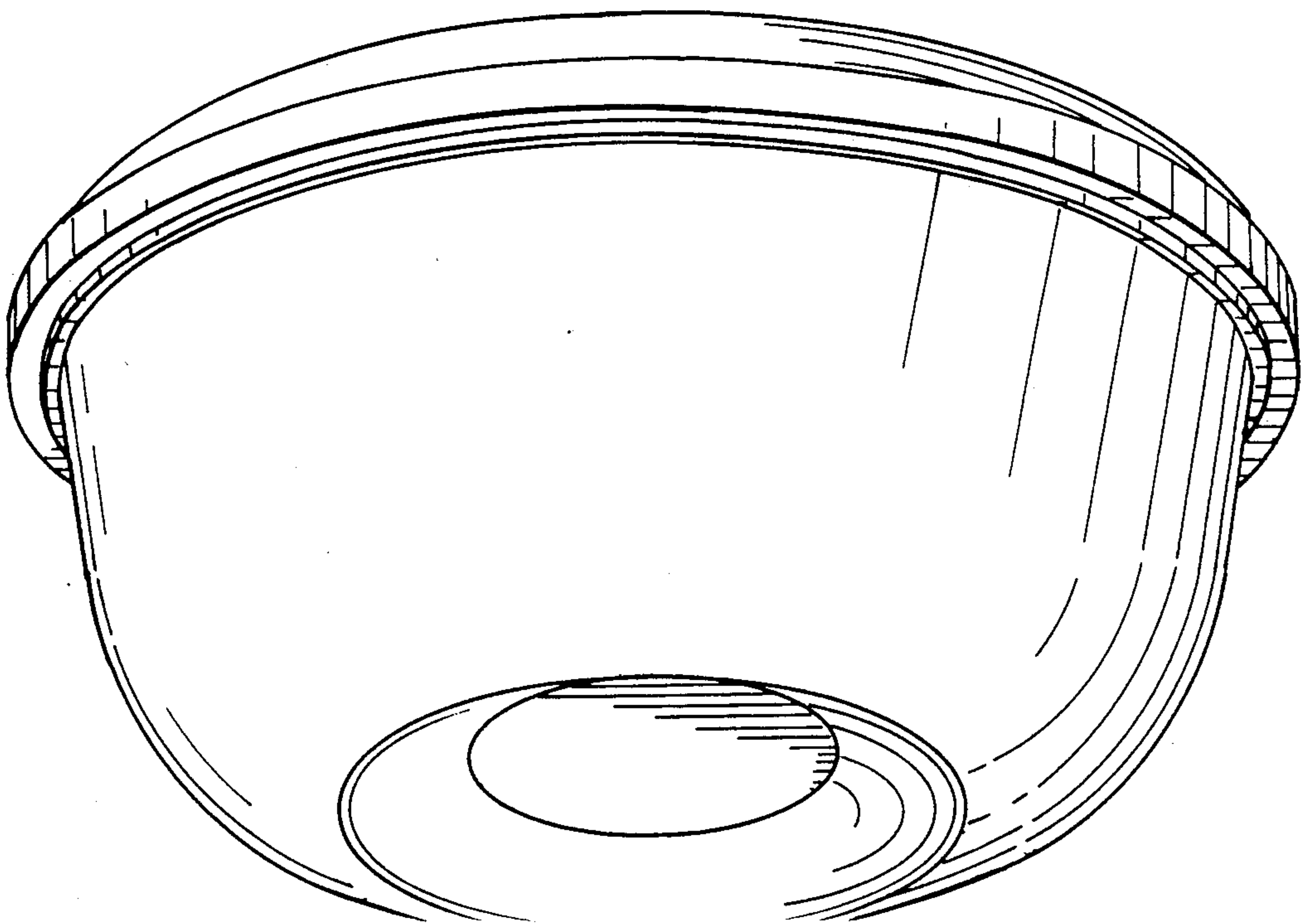


Fig. 3

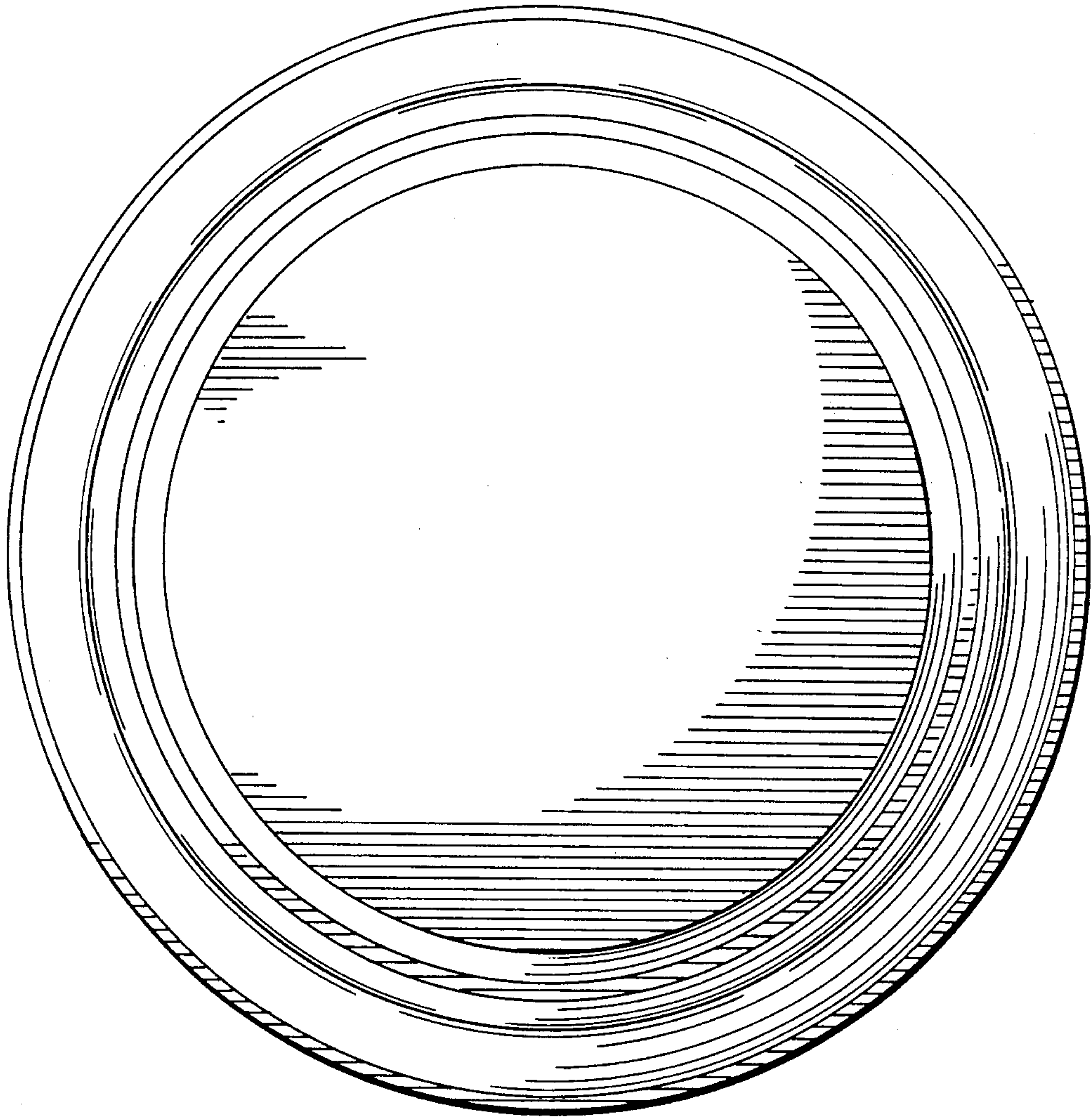


Fig. 4

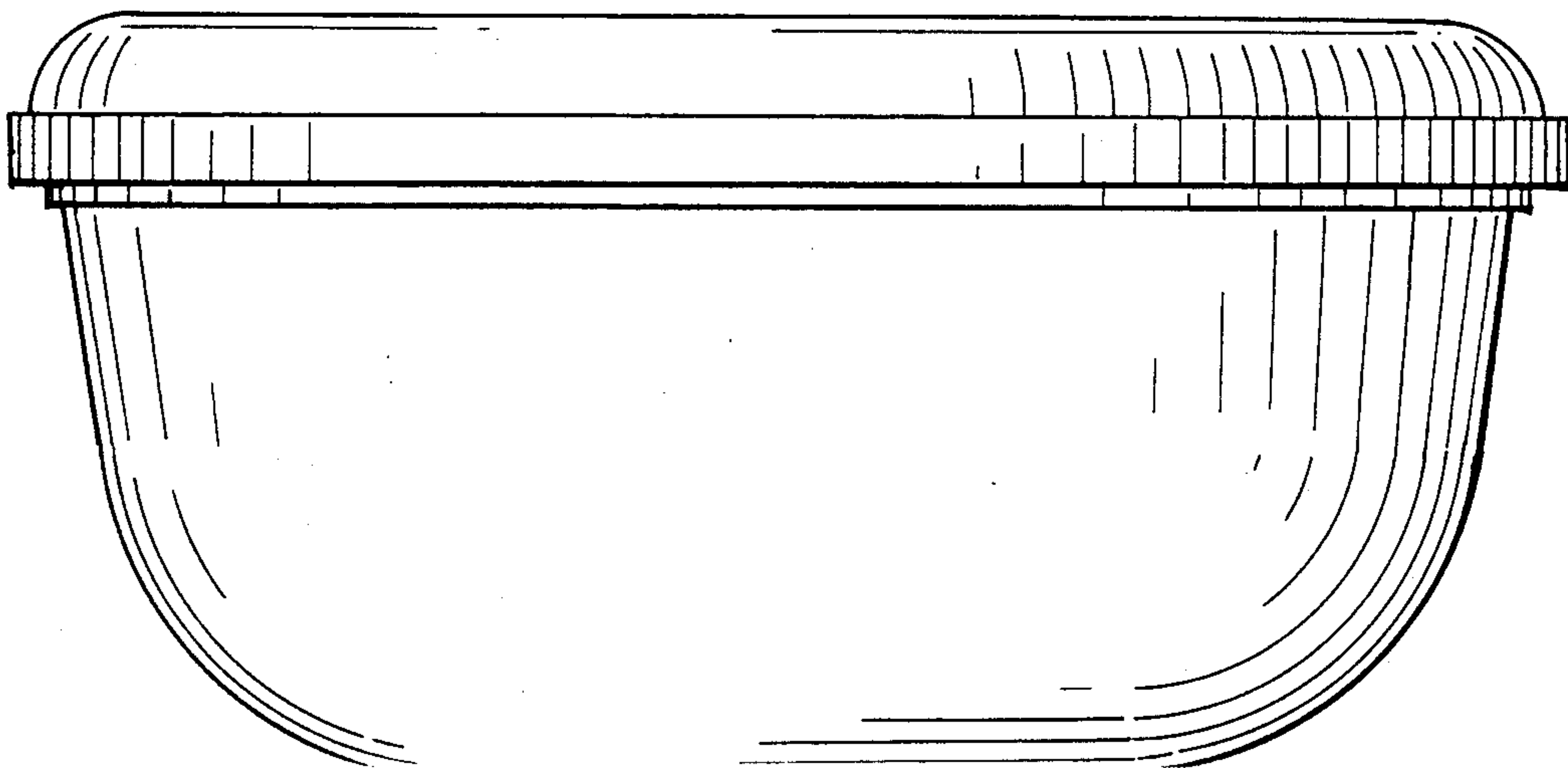


Fig. 5

