



US00D332895S

United States Patent [19]

Salzmann

[11] Patent Number: **Des. 332,895**

[45] Date of Patent: **** Feb. 2, 1993**

[54] **BAR CONDIMENT TRAY**

[75] Inventor: **Ferdinand F. Salzmann, Prairie du Sac, Wis.**

[73] Assignee: **Traex Corporation, Dane, Wis.**

[**] Term: **14 Years**

[21] Appl. No.: **547,907**

[22] Filed: **Jul. 3, 1990**

[52] U.S. Cl. **D7/590; D7/629**

[58] Field of Search **D7/550, 553, 555, 590, D7/601, 602, 629; D9/420, 423; 220/574, 575**

[56] **References Cited**

U.S. PATENT DOCUMENTS

D. 269,934	8/1983	Hawkins et al.	D7/590
D. 286,730	11/1986	Tzifkansky et al.	D7/616 X
D. 312,781	12/1990	Rigton	D9/420
3,589,554	10/1971	Smith	D7/629 X

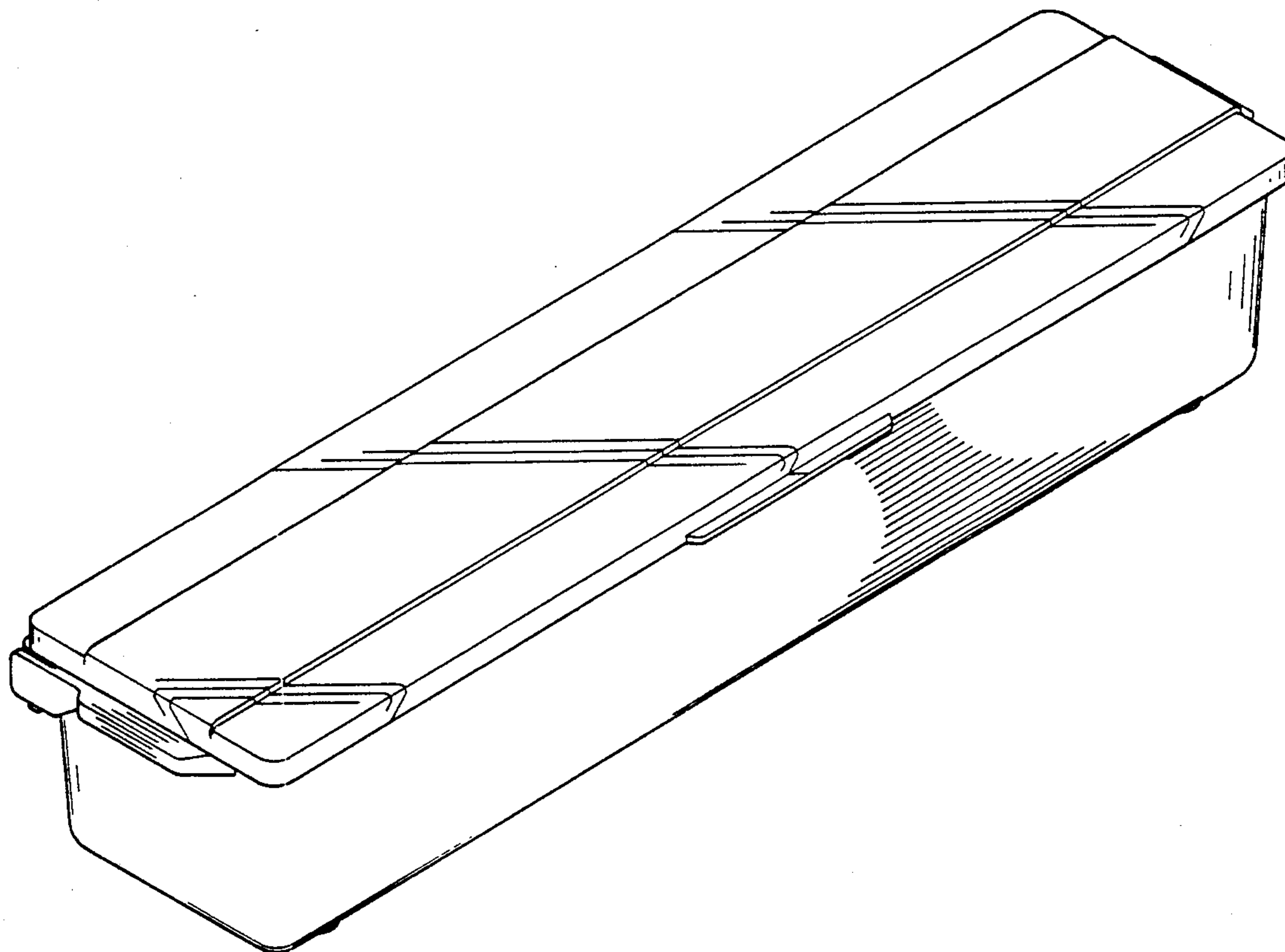
Primary Examiner—Terry A. Pfeffer
Attorney, Agent, or Firm—Quarles & Brady

[57] **CLAIM**

The ornamental design for a bar condiment tray, as shown.

DESCRIPTION

FIG. 1 is a top, front, left side perspective view of a bar condiment tray showing my new design;
FIG. 2 is a right side elevational view thereof;
FIG. 3 is a rear elevational view thereof; and,
FIG. 4 is a bottom plan view thereof.



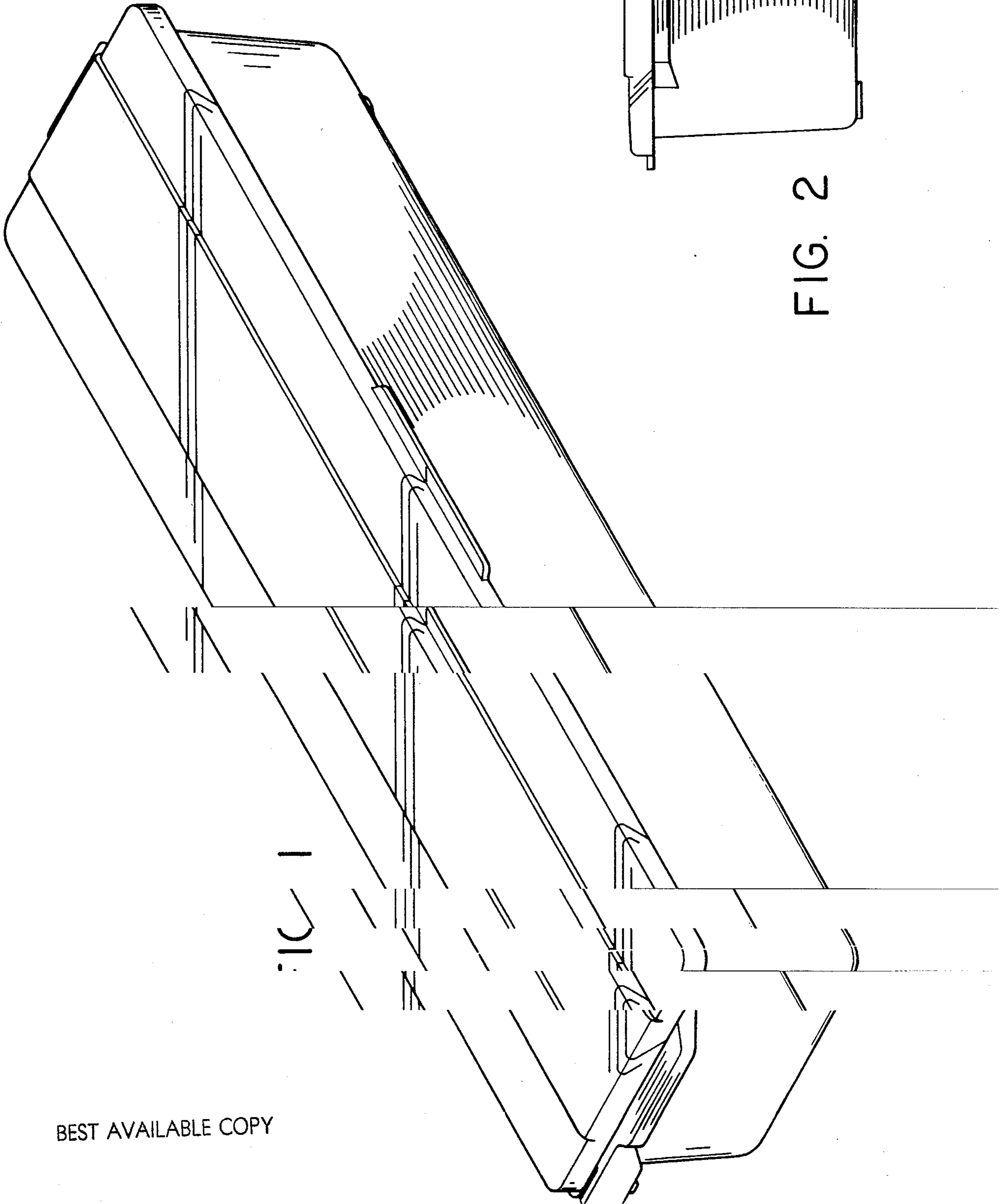


FIG. 1

FIG. 2

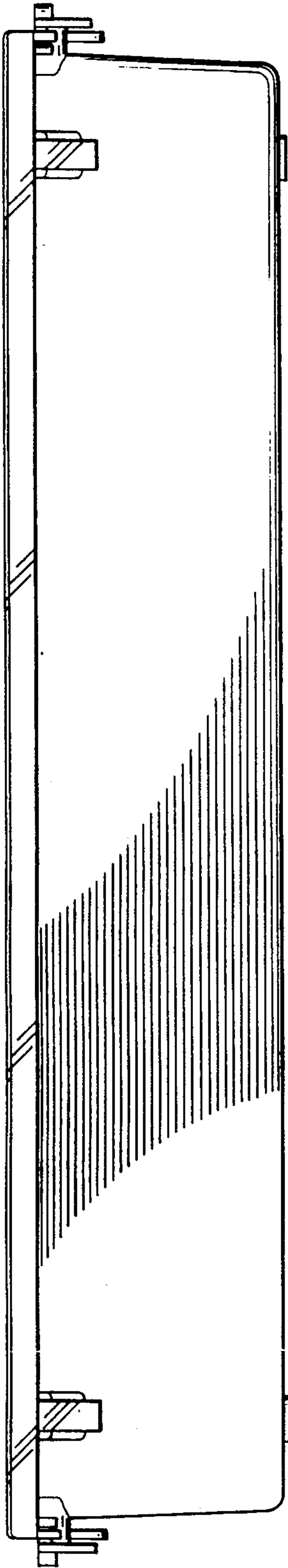


FIG. 3

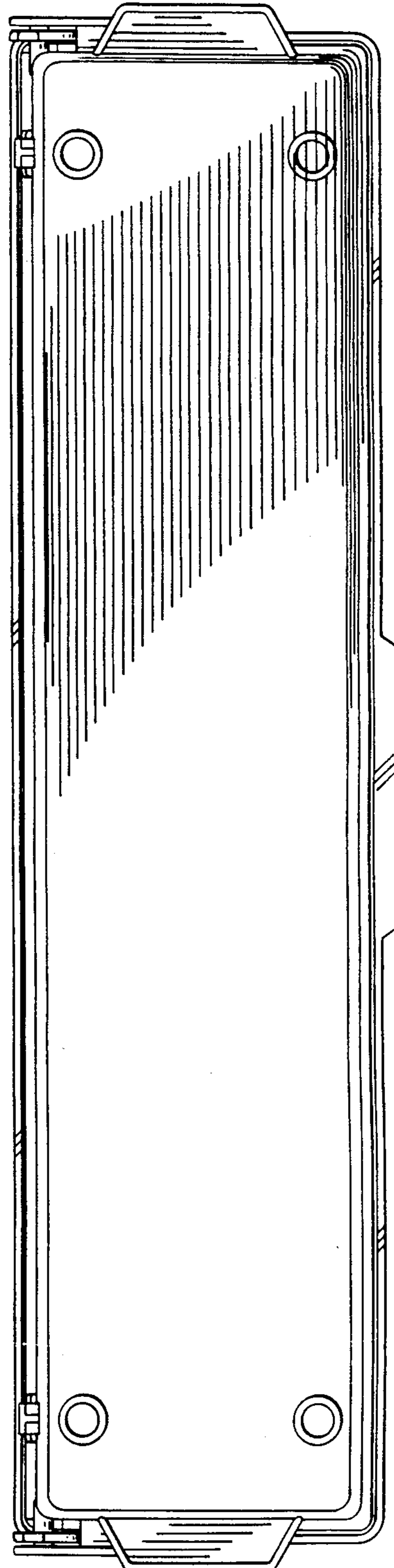


FIG. 4