



US00D332894S

United States Patent [19]
Green

[11] **Patent Number: Des. 332,894**
[45] **Date of Patent: ** Feb. 2, 1993**

[54] **CUP WITH CLOSURE SPOUT**

[76] **Inventor: Richard D. Green, 12979 Culver Blvd., Los Angeles, Calif. 90066**

[**] **Term: 14 Years**

[21] **Appl. No.: 736,828**

[22] **Filed: Jul. 29, 1991**

[52] **U.S. Cl. D7/511; D7/510; D7/533; D7/531**

[58] **Field of Search D7/533, 531, 511, 510, D7/608, 509, 507, 514, 519, 523, 525, 526, 527, 528, 529, 530, 531, 532, 533, 536, 300.1, 317, 300.2; 220/506, 903, 94 A, 428, 705, 709; D12/114; D9/544, 545, 519, 528**

[56] **References Cited**

U.S. PATENT DOCUMENTS

- D. 124,748 1/1941 Lloyd D9/519 X
- D. 148,179 12/1947 Meshberg D7/300.1
- D. 192,435 3/1962 Goodman D7/531
- D. 321,457 11/1991 Kahl D7/608
- D. 325,848 5/1992 Embree D7/533 X
- 324,173 8/1885 Seips D7/300.1 X
- 3,760,972 9/1973 McKirnan D7/300.1 X
- 4,121,731 10/1978 Okerstrum D7/510 X

FOREIGN PATENT DOCUMENTS

1047931 11/1966 United Kingdom D7/317

OTHER PUBLICATIONS

Supplement to HFD retail home furnishings Feb. 1986.

Primary Examiner—Alan P. Douglas

Assistant Examiner—M. N. Pandozzi

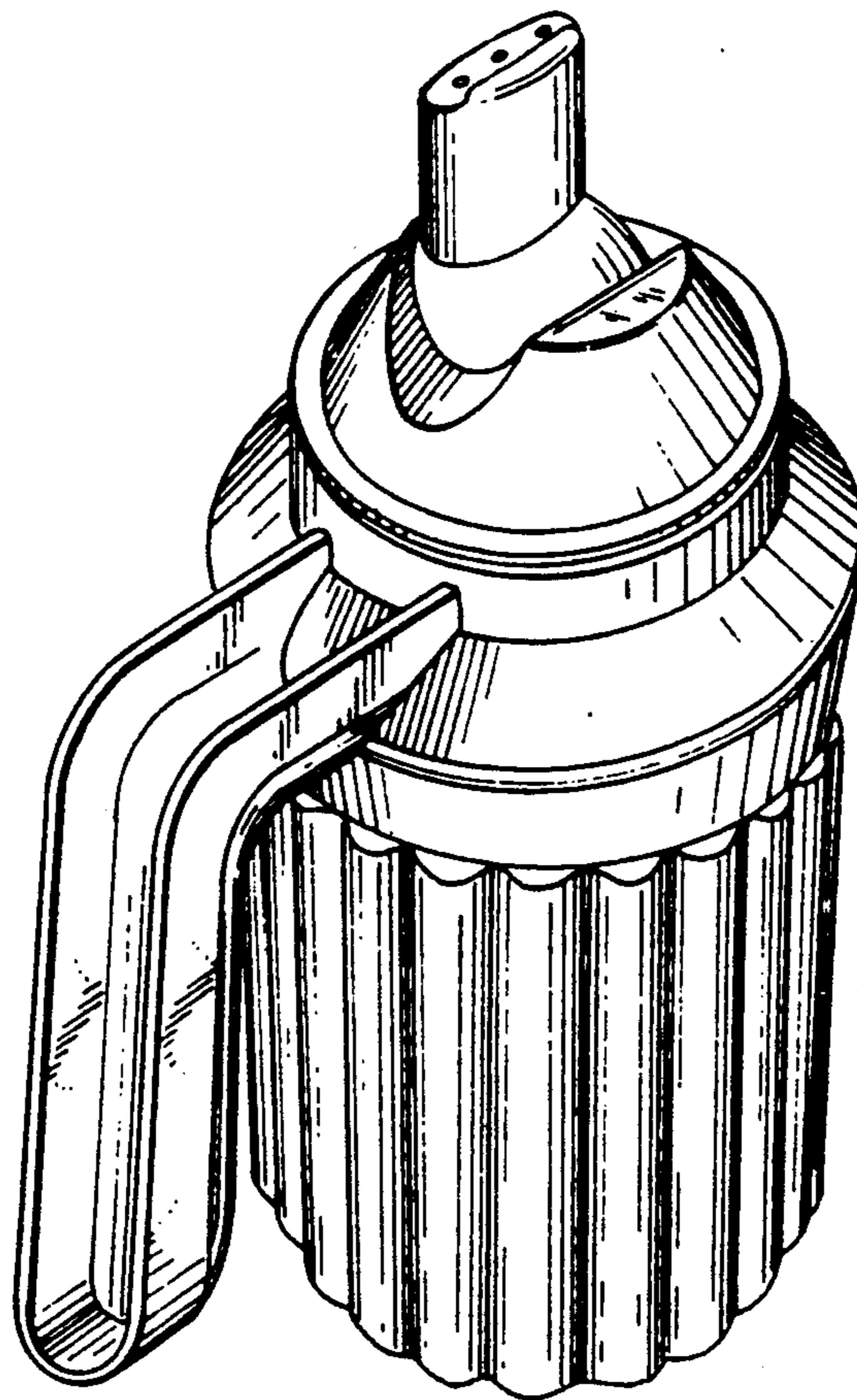
Attorney, Agent, or Firm—Kelly, Bauersfeld & Lowry

[57] **CLAIM**

The ornamental design for a cup with closure spout, as shown and described.

DESCRIPTION

FIG. 1 is a top, front, and left side perspective view of a cup with closure spout showing my new design; FIG. 2 is a front elevational view, the rear elevational view being a mirror image thereof; FIG. 3 is a right side elevational view thereof; FIG. 4 is a left side elevational view thereof; FIG. 5 is a top plan view thereof; FIG. 6 is a bottom plan view thereof; FIG. 7 is a right side elevational view with spout in closed position; and, FIG. 8 is a top plan view with spout in closed position.



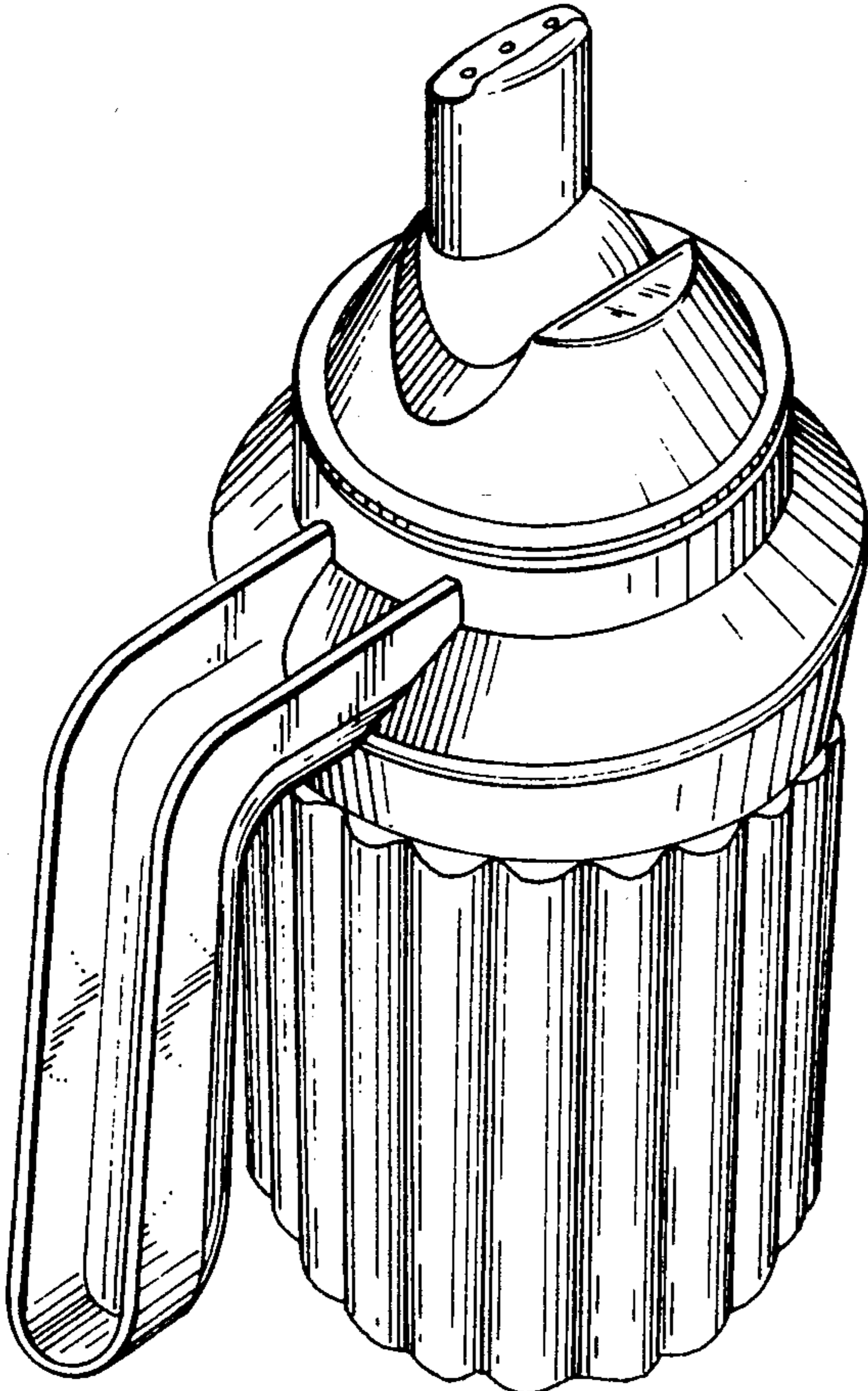


FIG. 1

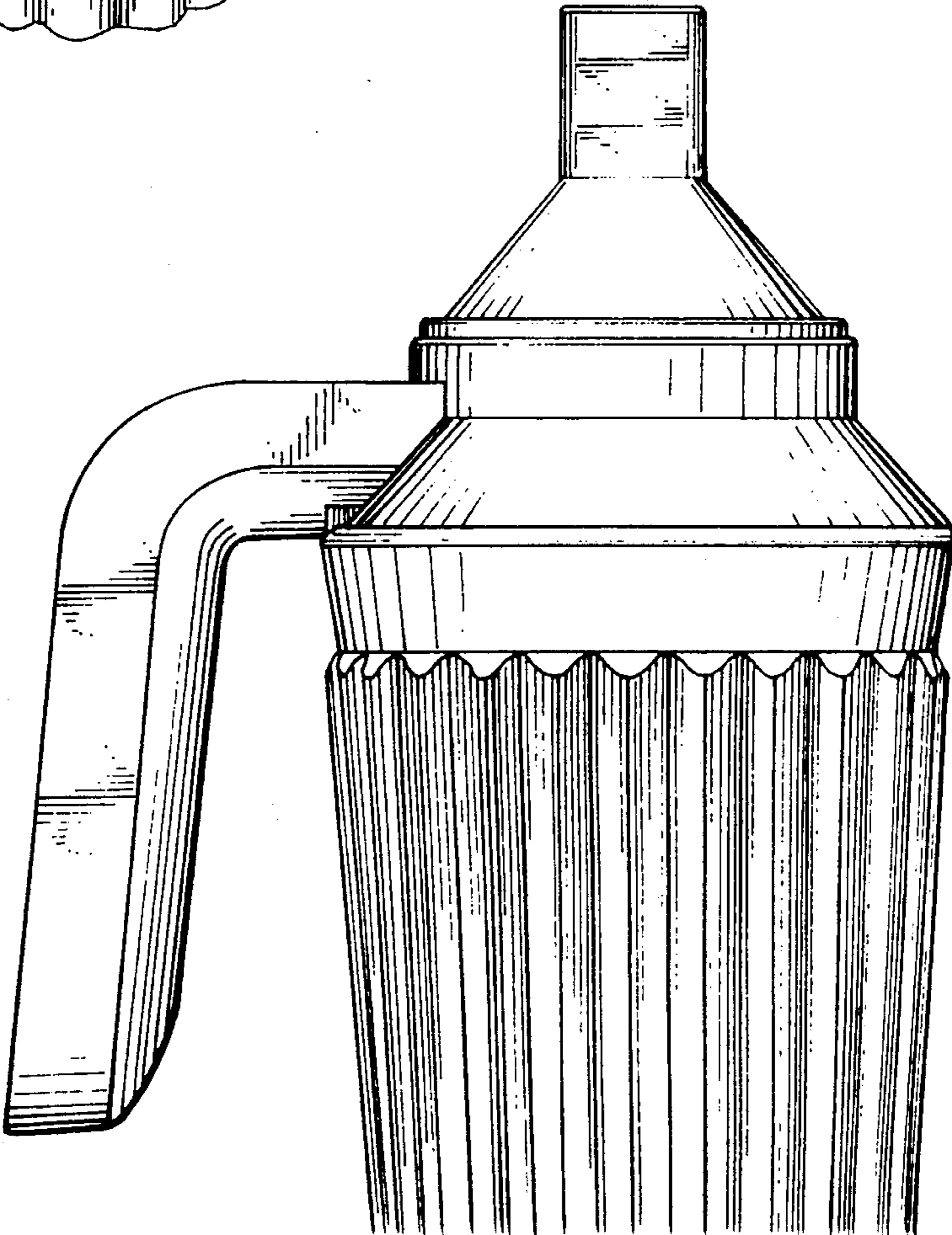


FIG. 2

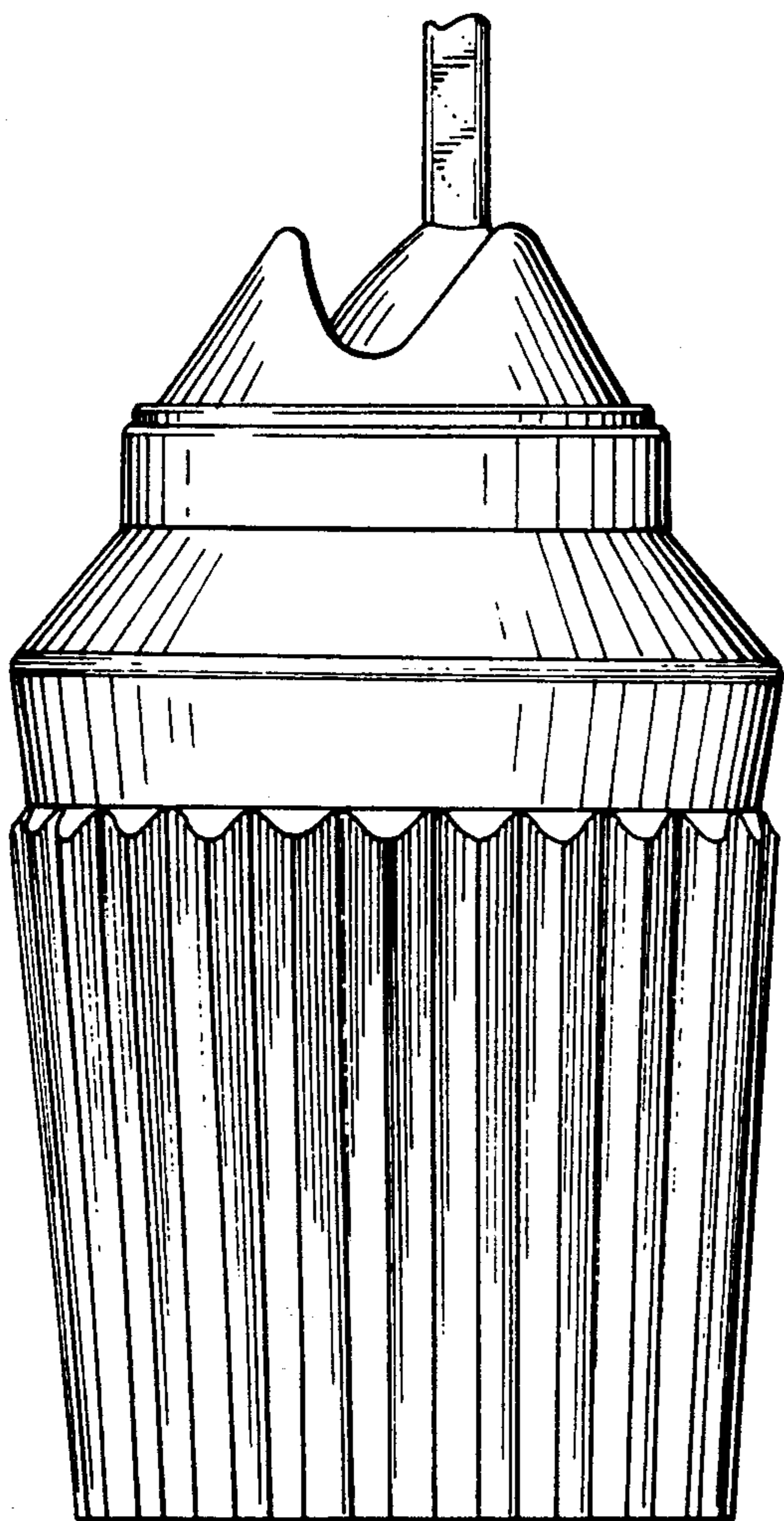
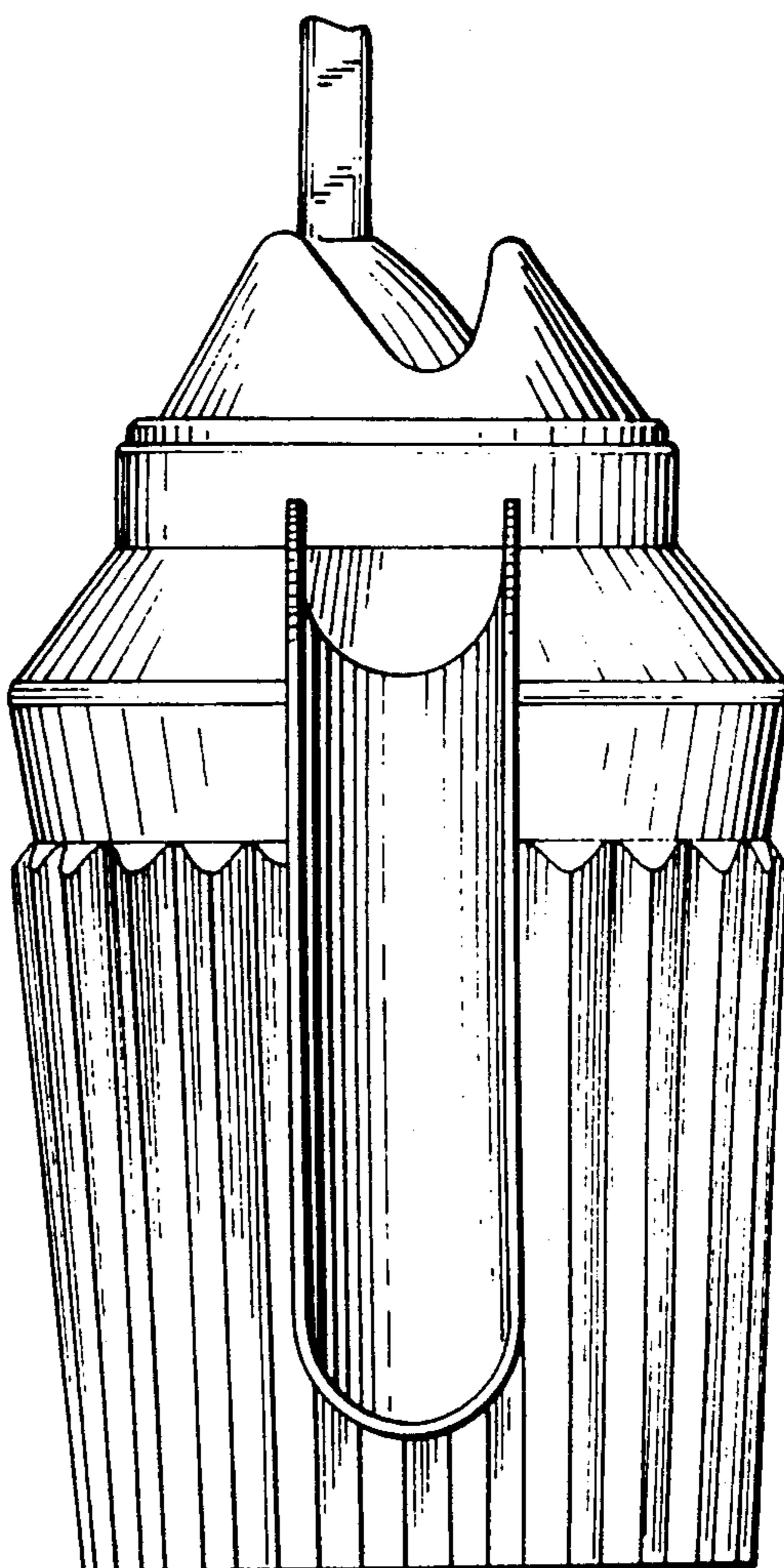


FIG. 4

FIG. 3



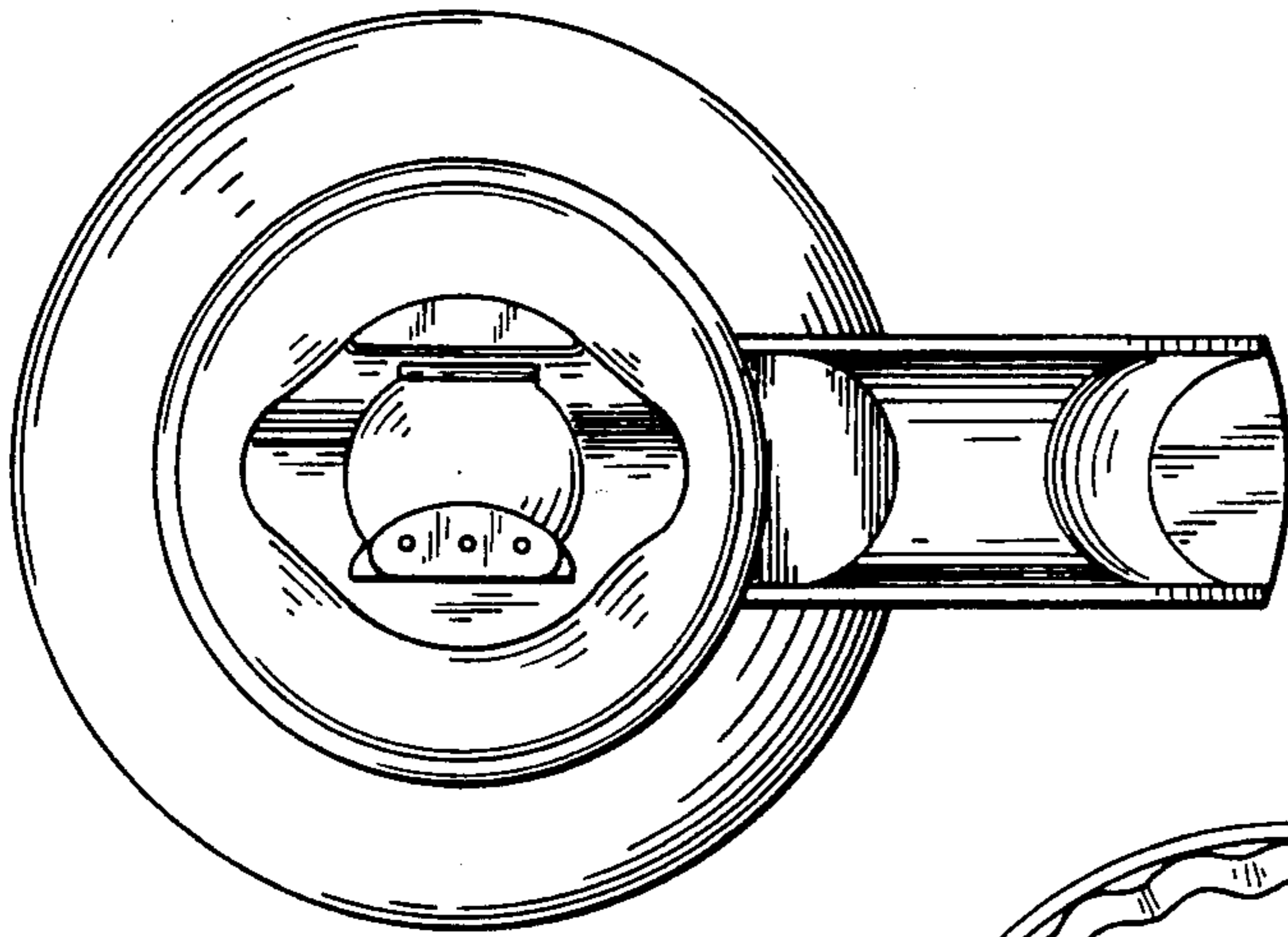


FIG. 5

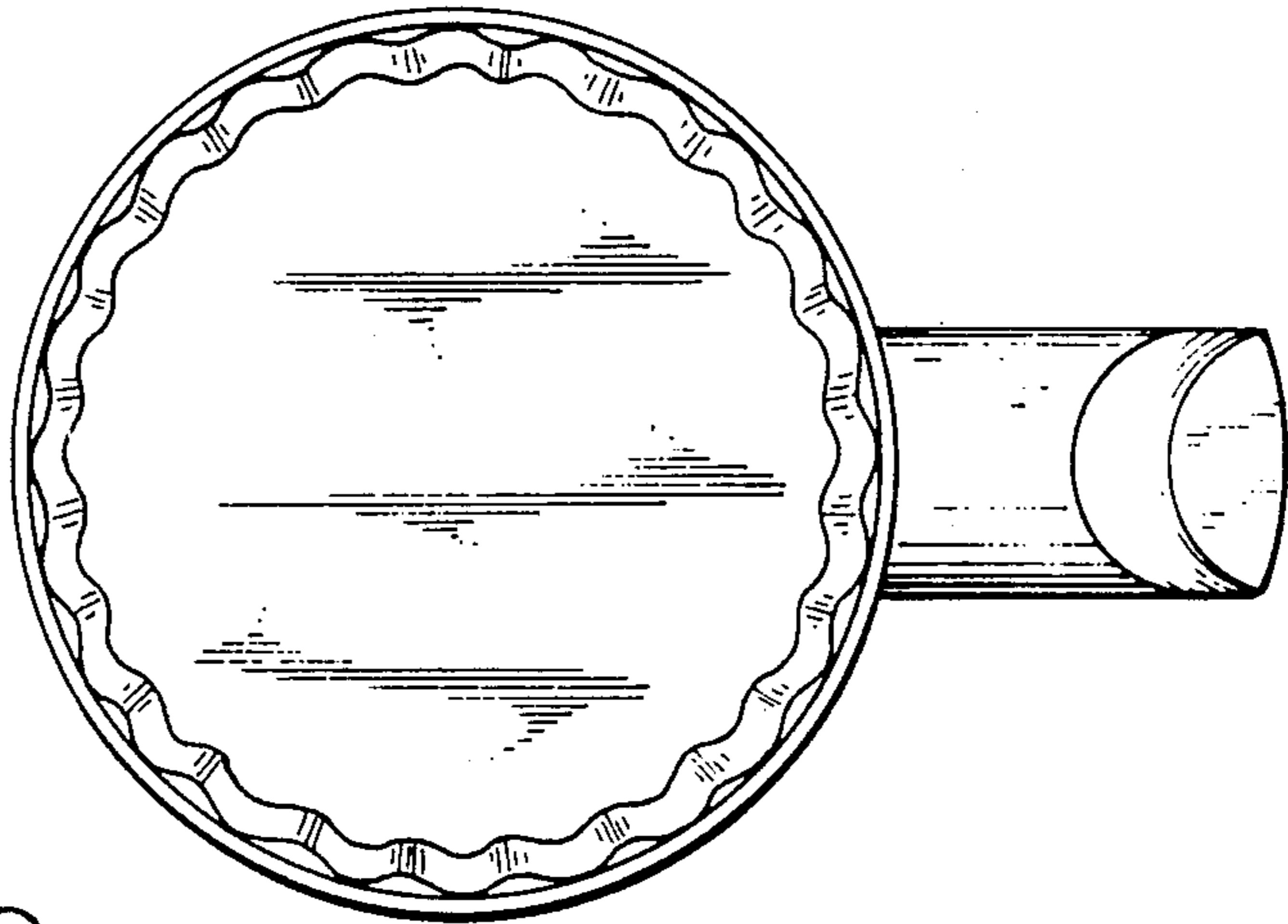


FIG. 6

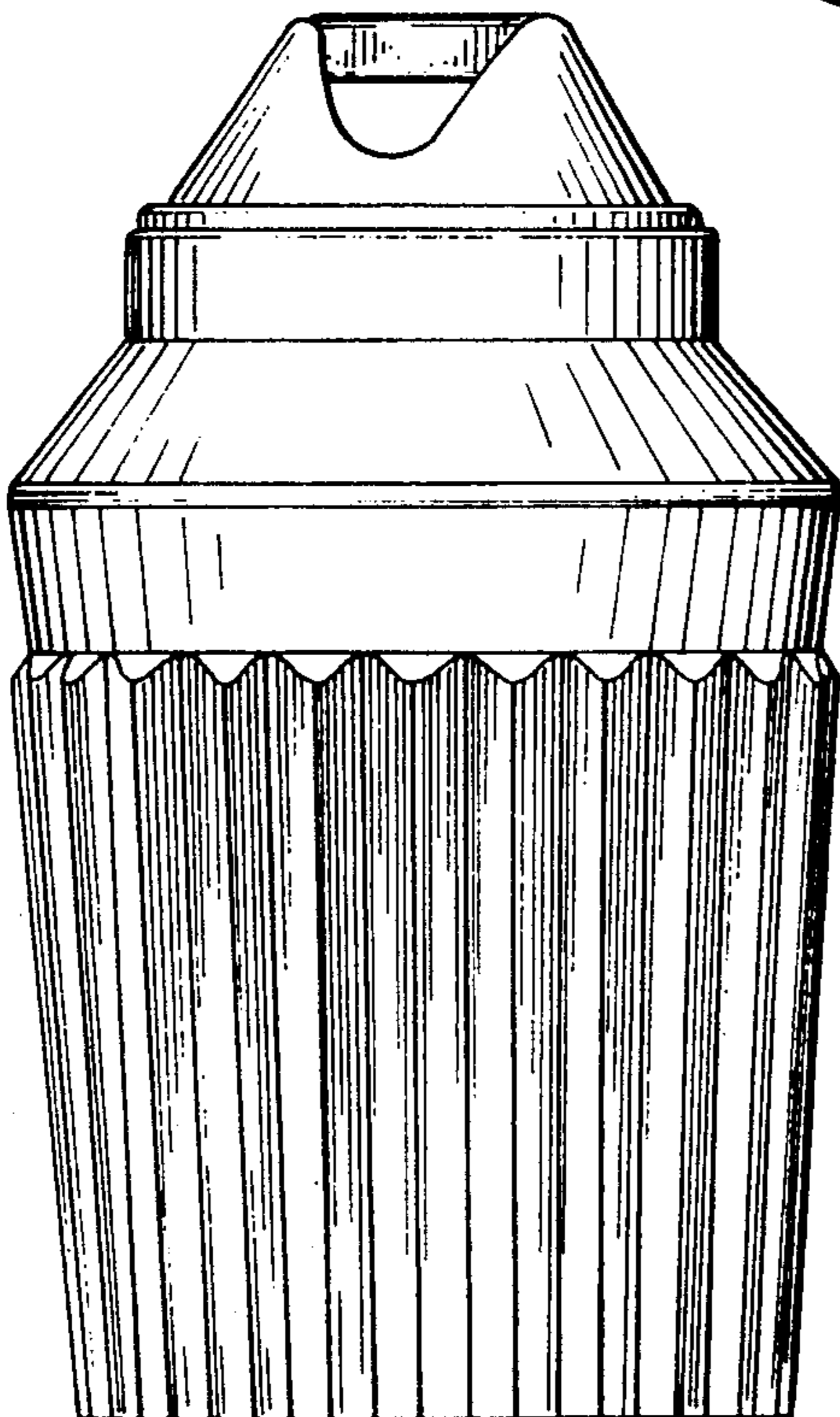


FIG. 7

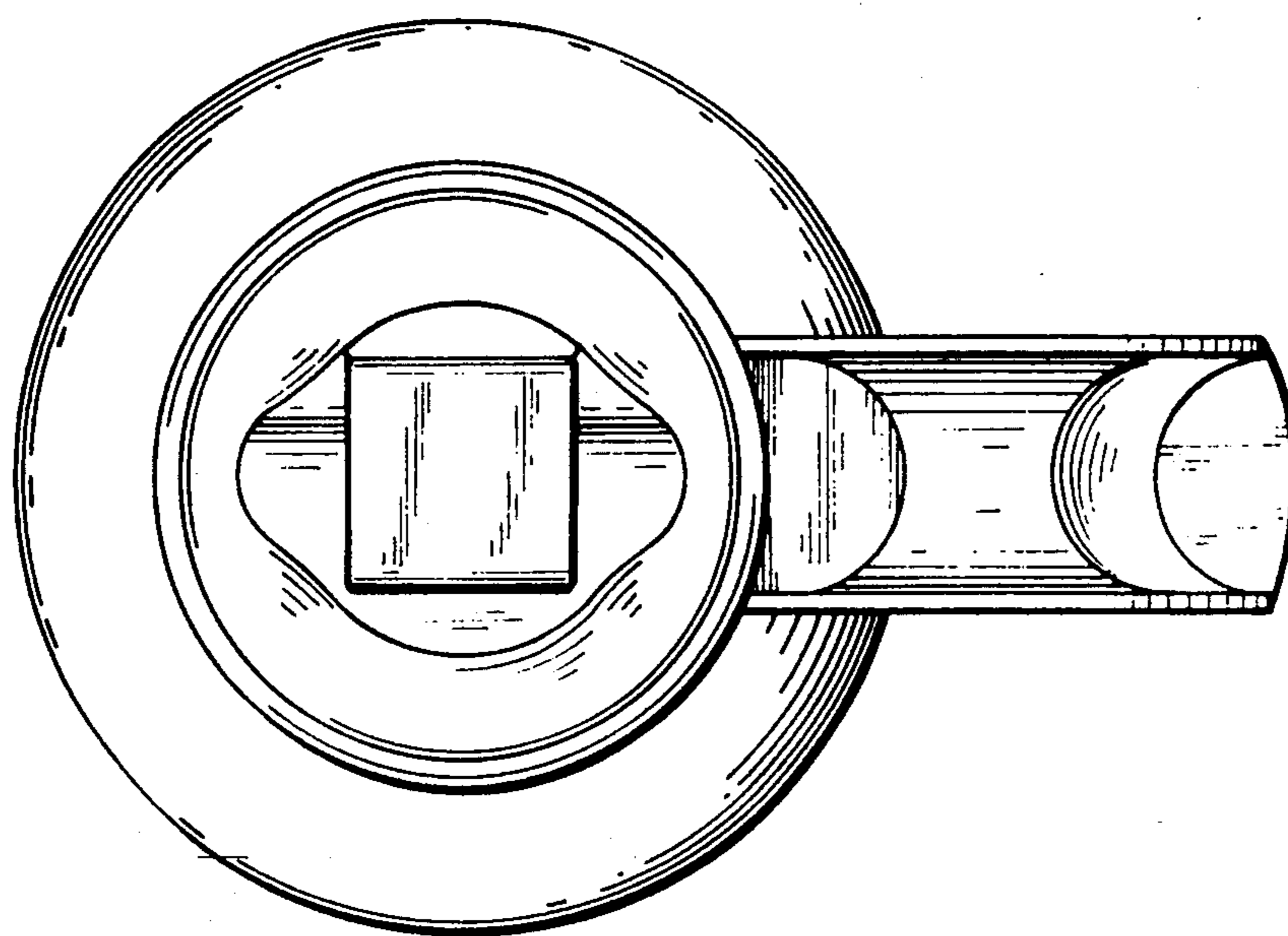


FIG. 8