



US00D332892S

# United States Patent [19]

[11] Patent Number: **Des. 332,892**

Sun

[45] Date of Patent: **\*\* Feb. 2, 1993**

[54] **BOWL WITH COVER**

[75] Inventor: **Cliff K. Sun, Kwung Tong, Hong Kong**

[73] Assignee: **Kin Hip Metal & Plastic Factory, Ltd., Kwun Tong, Hong Kong**

[\*\*] Term: **14 Years**

[21] Appl. No.: **476,019**

[22] Filed: **Feb. 6, 1990**

[30] **Foreign Application Priority Data**

Nov. 30, 1989 [GB] United Kingdom ..... 2002032

[52] U.S. Cl. .... **D7/540; D7/354**

[58] Field of Search ..... **D7/540, 541, 542, 545, D7/560, 538, 519, 505, 565, 543, 528, 603, 361, 354; 220/428, 94 A, 4.21**

[56] **References Cited**

**U.S. PATENT DOCUMENTS**

- D. 78,080 3/1929 Bernardaud ..... D7/542
- D. 94,210 1/1935 Guild ..... D7/540

- D. 204,150 3/1966 Curtis ..... D7/542
- D. 227,538 7/1973 Press ..... D7/361
- D. 230,690 3/1974 Aries ..... D7/361
- D. 276,398 11/1984 Conti et al. .... D7/354 X
- D. 295,819 5/1988 Mercadaute ..... D7/545
- D. 299,801 2/1989 Basitodos ..... D7/540
- D. 301,958 7/1989 Ziuin ..... D7/540 X
- 4,373,511 2/1983 Miles et al. .... 220/428 X

*Primary Examiner*—Alan P. Douglas  
*Assistant Examiner*—M. N. Pandozzi  
*Attorney, Agent, or Firm*—Kelly, Bauersfeld & Lowry

[57] **CLAIM**

The ornamental design for a bowl with cover, as shown and described.

**DESCRIPTION**

FIG. 1 is a front elevational view of a bowl with cover, showing my new design, the left side, right side, and rear elevational views being identical thereto; FIG. 2 is a top plan view thereof; and, FIG. 3 is a sectional view thereof, taken along line III—III of FIG. 2.  
The bottom plan view is plain and unornamented.

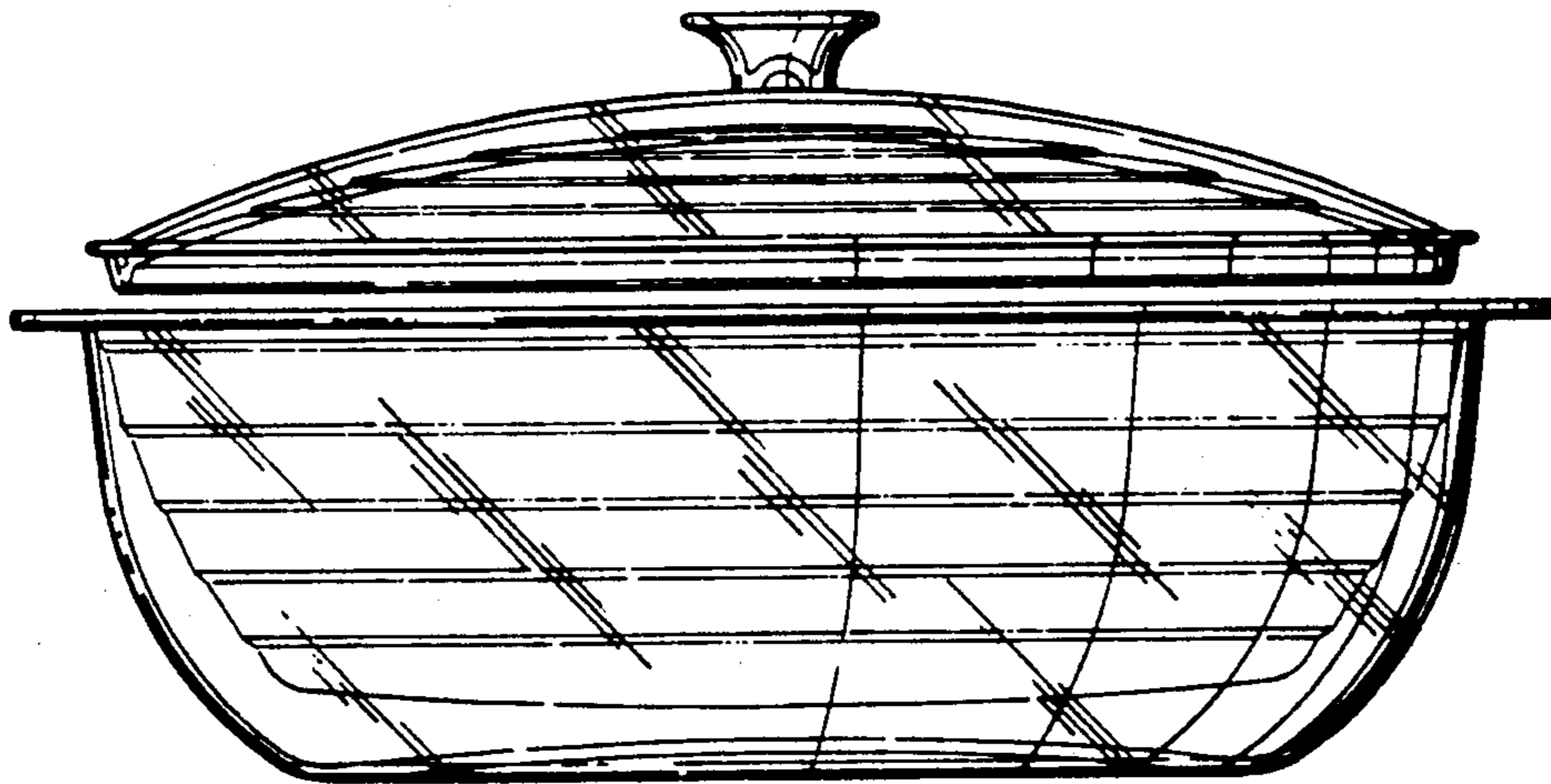


Fig. 1.

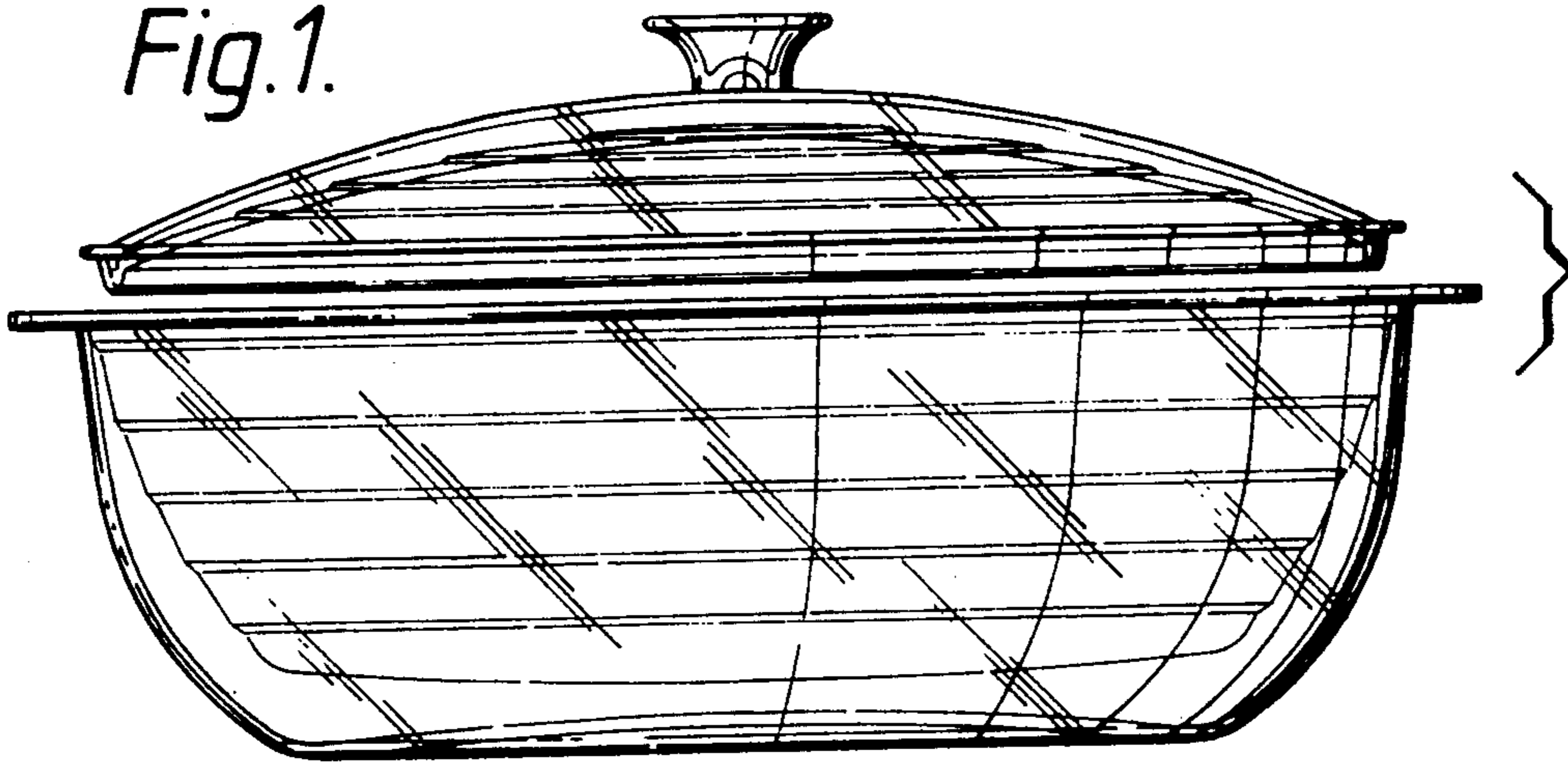


Fig. 2.

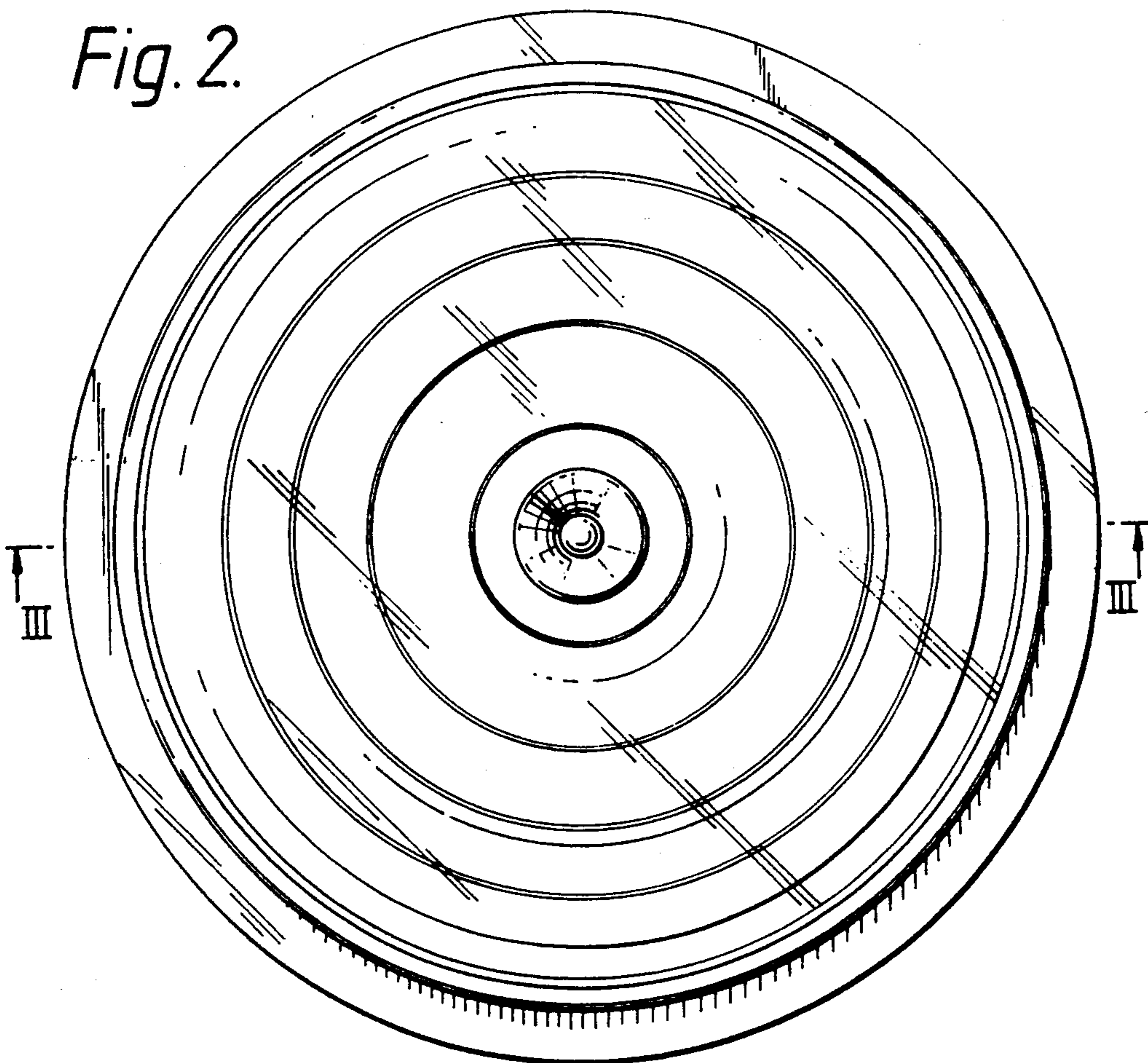


Fig. 3.

