



US00D332887S

**United States Patent** [19]  
**Fjello-Jensen**

[11] **Patent Number: Des. 332,887**  
[45] **Date of Patent: \*\* Feb. 2, 1993**

- [54] **MOBILE TABLE BASE**
- [75] **Inventor: Kim Fjello-Jensen, Svendborg, Denmark**
- [73] **Assignee: Fjello-Jensen A/S, Denmark**
- [\*\*] **Term: 14 Years**
- [21] **Appl. No.: 407,014**
- [22] **Filed: Sep. 14, 1989**
- [30] **Foreign Application Priority Data**  
  - Aug. 21, 1989 [DK] Denmark ..... 1005/89
- [52] **U.S. Cl. .... D6/496; D6/499; D6/429**
- [58] **Field of Search ..... D6/480, 482-489, D6/495-497, 498-499, 425, 426, 429, 430, 449; 108/144, 148**

- D. 277,717 2/1985 Petrick ..... D6/495
- D. 286,831 11/1986 Matyear ..... D6/480 X
- D. 314,299 2/1991 Diffrient ..... D6/495
- D. 316,723 5/1991 Wg et al. .... D6/484 X

**OTHER PUBLICATIONS**

Equipto Catalog, 1986, p. 5, in C-44.  
Virco, Catalog C-83, ©1983, p. 20, table at left.  
Interiors, Jun. 1987, p. 141, Vitra Chair base.  
Interiors, May 1984, p. 45, Howe Table.

*Primary Examiner*—Nelson C. Holtje  
*Assistant Examiner*—Janice E. Seeger  
*Attorney, Agent, or Firm*—Merchant, Gould, Smith, Edell, Welter & Schmidt

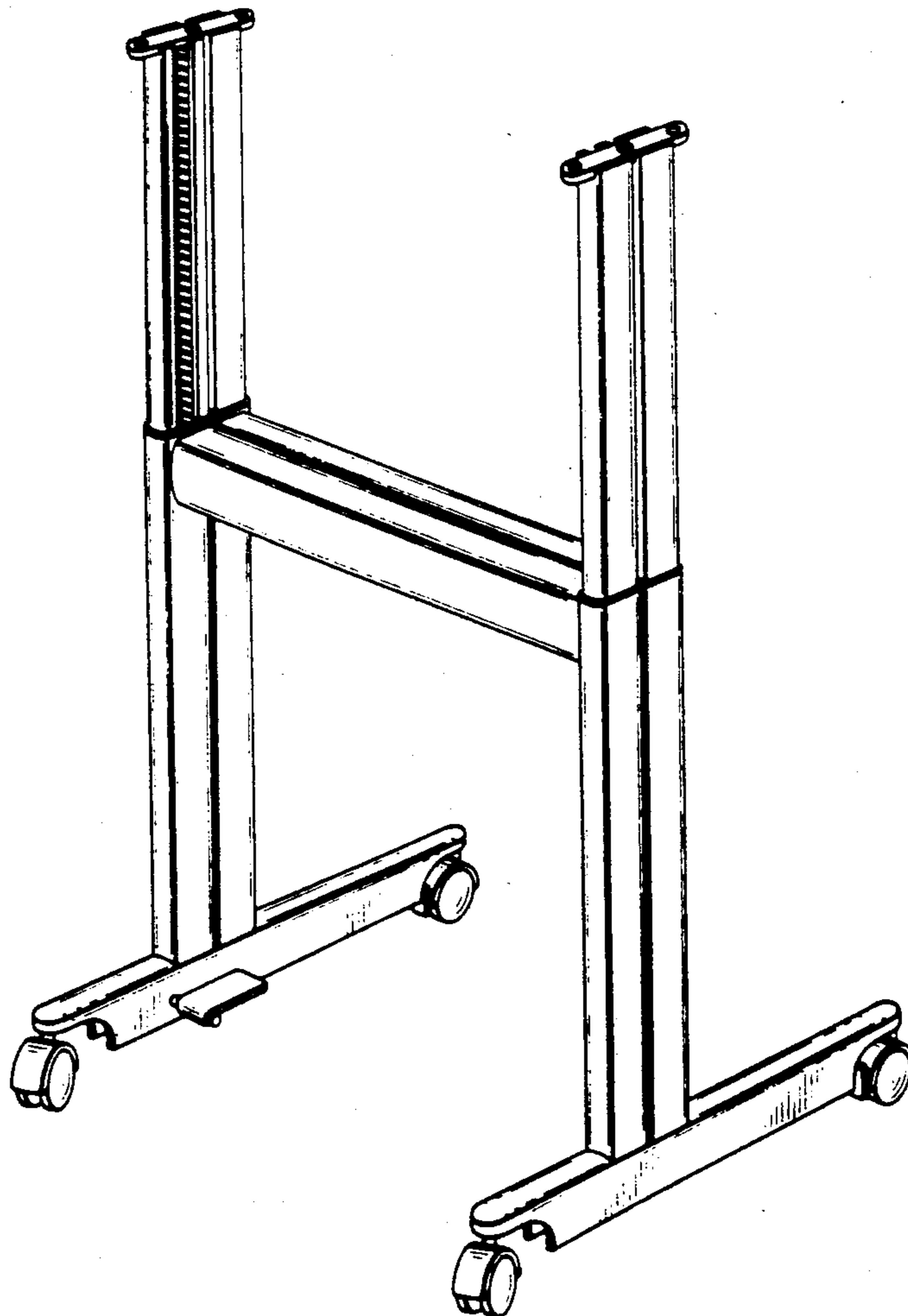
[57] **CLAIM**

The ornamental design for a mobile table base, as shown and described.

**DESCRIPTION**

FIG. 1 is a top perspective view of a mobile table base, showing my new design;  
FIG. 2 is a bottom perspective view; and,  
FIG. 3 is a top plan view thereof.

- [56] **References Cited**  
**U.S. PATENT DOCUMENTS**  
  - D. 238,737 2/1976 Patla et al. .... D6/483 X
  - D. 254,586 4/1980 Koves ..... D6/496



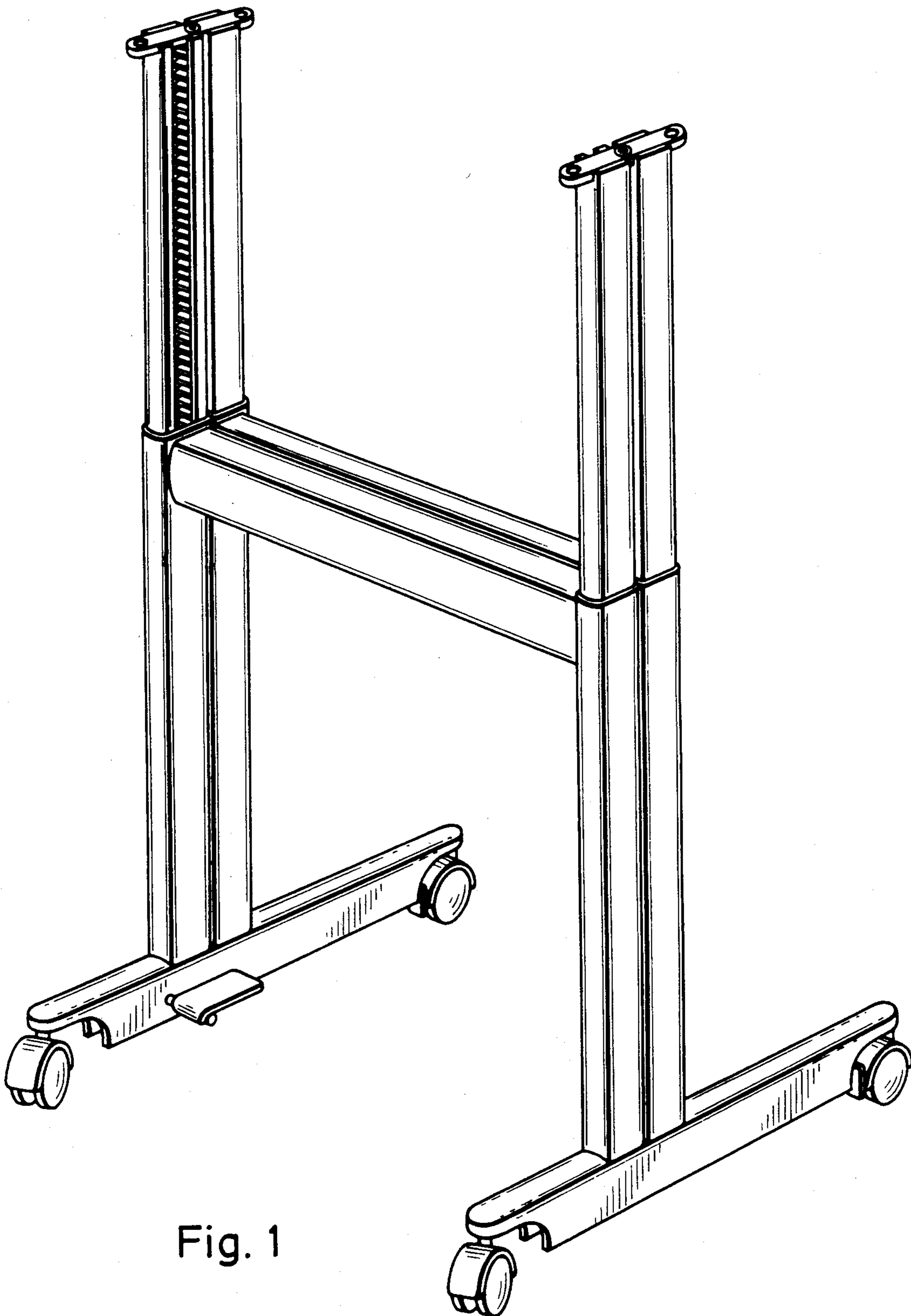


Fig. 1

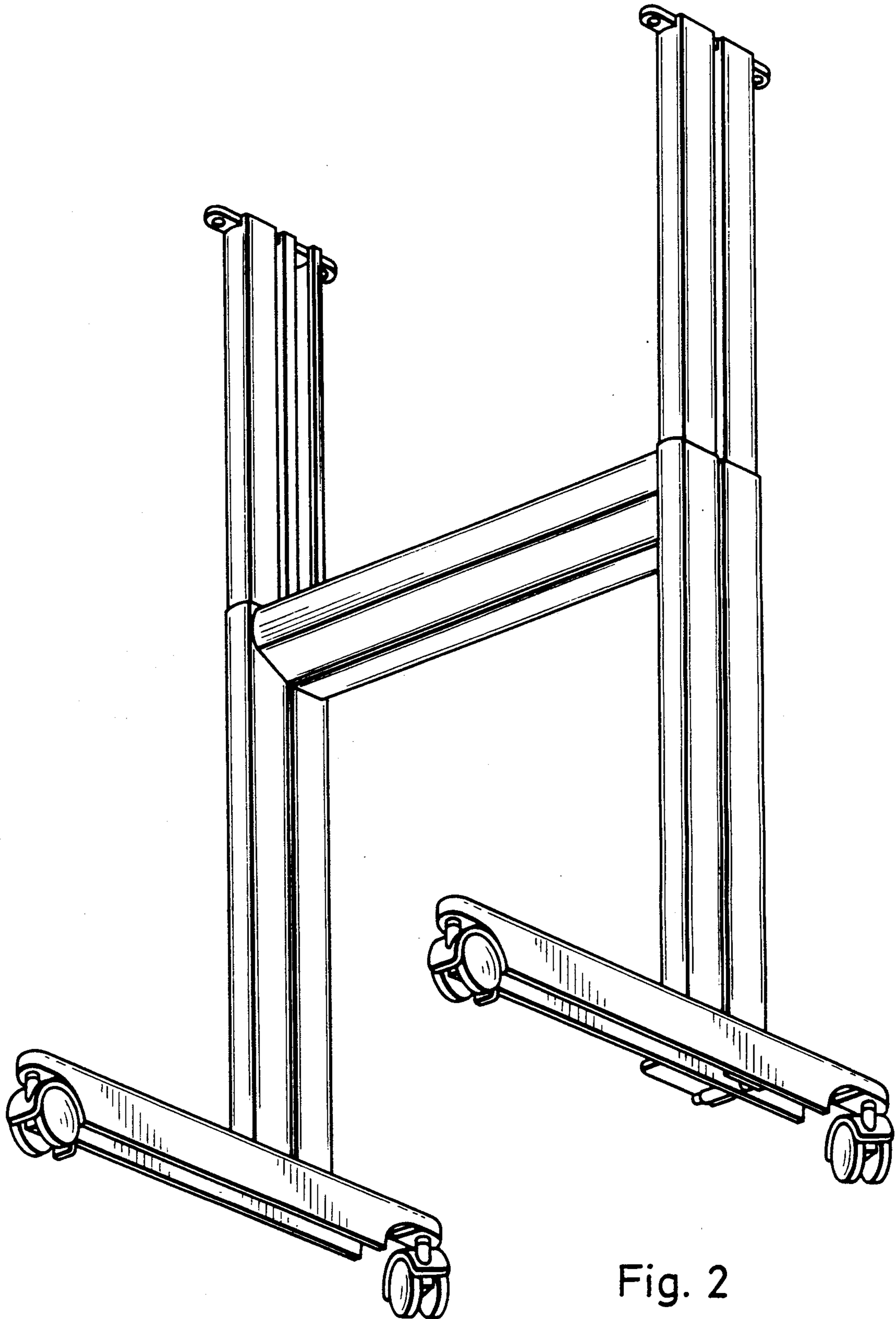


Fig. 2

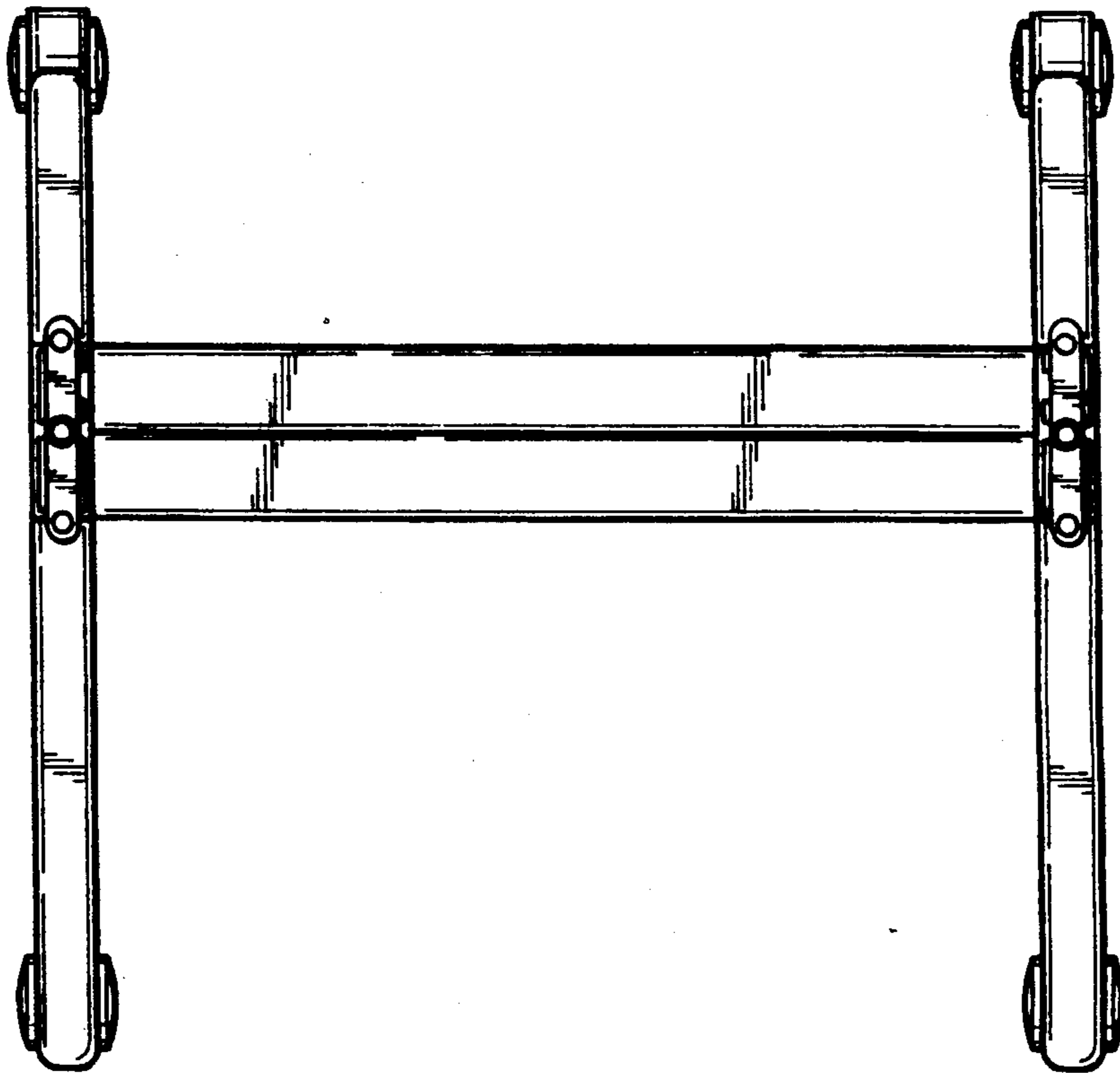


FIG. 3