



US00D332883S

# United States Patent [19]

[11] Patent Number: **Des. 332,883**

**Staude**

[45] Date of Patent: **\*\* Feb. 2, 1993**

[54] **DISPLAY RACK**

7,949,849 8/1990 Hardy ..... 211/55

[75] Inventor: **Jennis Staude, Gladstone, Mo.**

*Primary Examiner*—Nelson C. Holtje  
*Assistant Examiner*—Monica A. Hannon  
*Attorney, Agent, or Firm*—Leydig, Voit & Mayer

[73] Assignee: **Hallmark Cards, Incorporated, Kansas City, Mo.**

[57] **CLAIM**

[\*\*] Term: **14 Years**

The ornamental design of a display rack, as shown and described.

[21] Appl. No.: **470,049**

**DESCRIPTION**

[22] Filed: **Jan. 24, 1990**

[52] U.S. Cl. .... **D6/467**

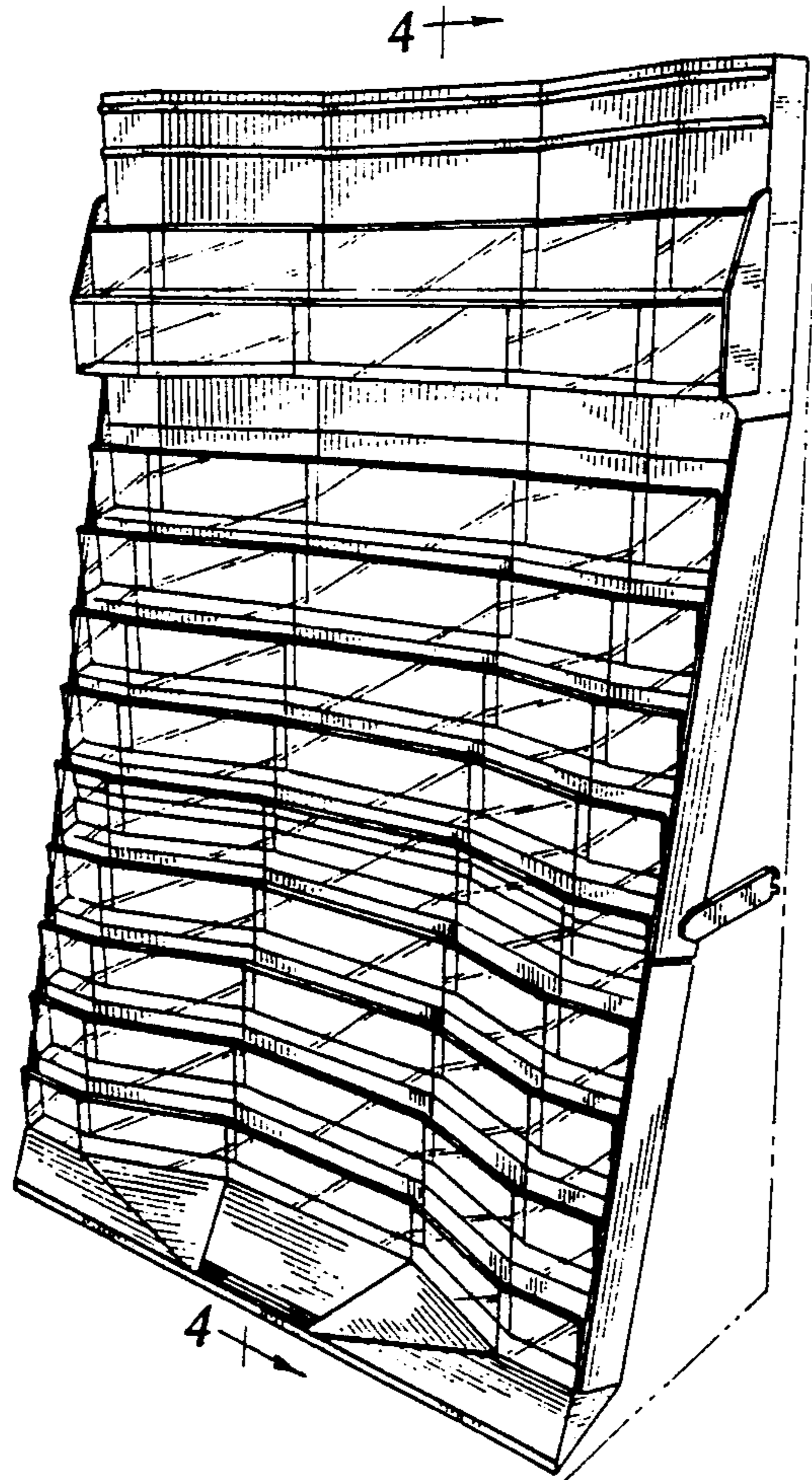
[58] Field of Search ..... **D6/467, 487; 108/91, 108/111; 211/42, 45, 49, 52, 54.1, 55; 312/286**

FIG. 1 is a front perspective view of display rack showing my new design;  
FIG. 2 is a left side elevational view, the right side being a mirror image thereof;  
FIG. 3 is a top plan view thereof;  
FIG. 4 is a sectional view taken along the line 4—4 of FIG. 1 thereof;  
FIG. 5 is a front perspective view of a second embodiment of FIG. 1;  
FIG. 6 is a left side elevational view, the right side being a mirror image thereof;  
FIG. 7 is a top plan view thereof; and,  
FIG. 8 is a sectional view taken along the line 8—8 of FIG. 5 thereof.

[56] **References Cited**

**U.S. PATENT DOCUMENTS**

D. 279,743	7/1985	Kellogg	.....	D6/467 X
939,807	11/1909	Collins	.....	211/55 X
1,155,763	10/1915	Shirley	.....	211/55 X
1,689,741	10/1928	Misrachi	.....	211/55 X
1,881,212	10/1932	McKelvey	.....	211/55 X
3,055,507	9/1962	Kobs	.....	211/49.1
4,460,095	7/1984	Kessler et al.	.....	D6/467 X
4,635,564	1/1987	Baxter	.....	108/111



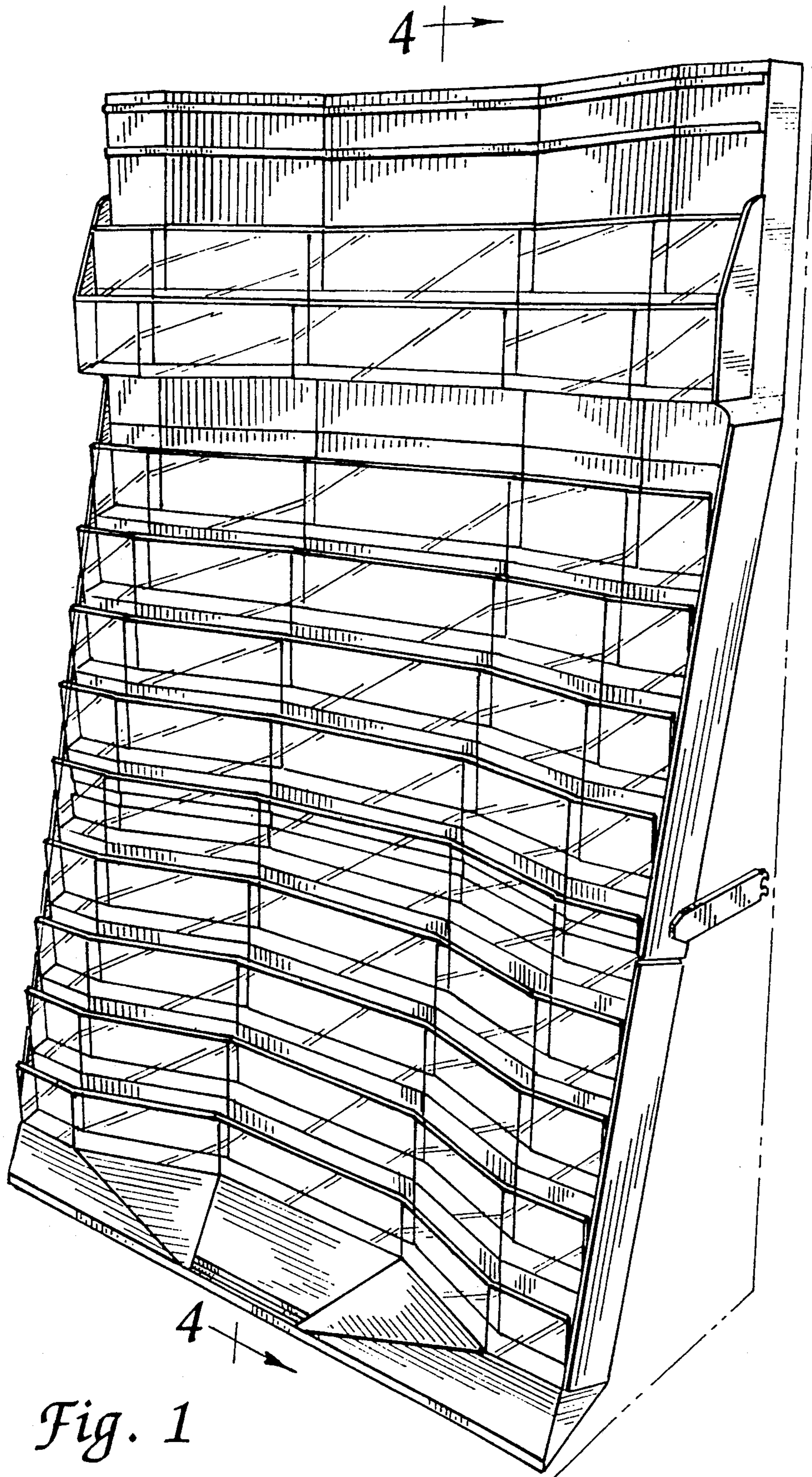
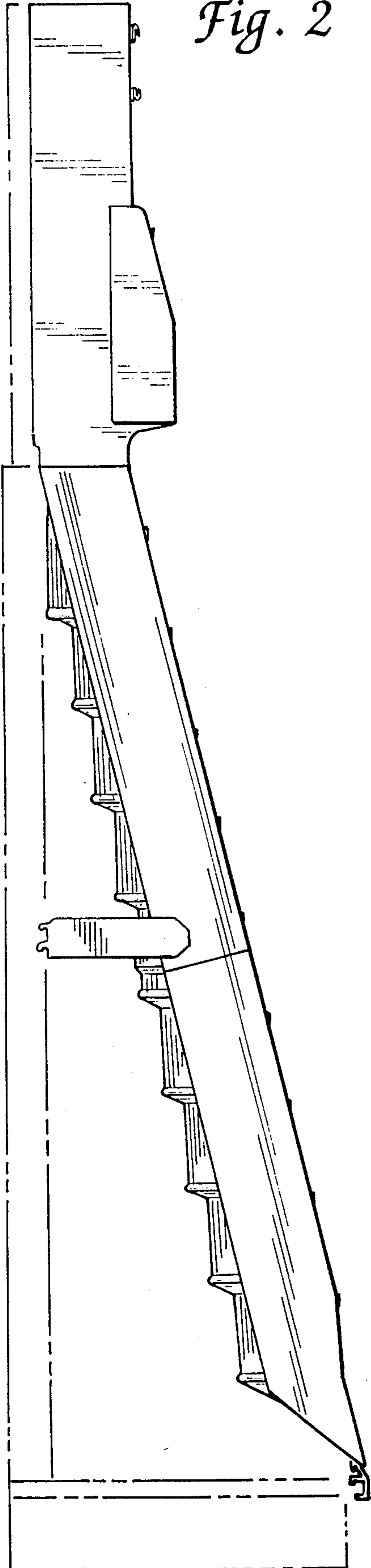
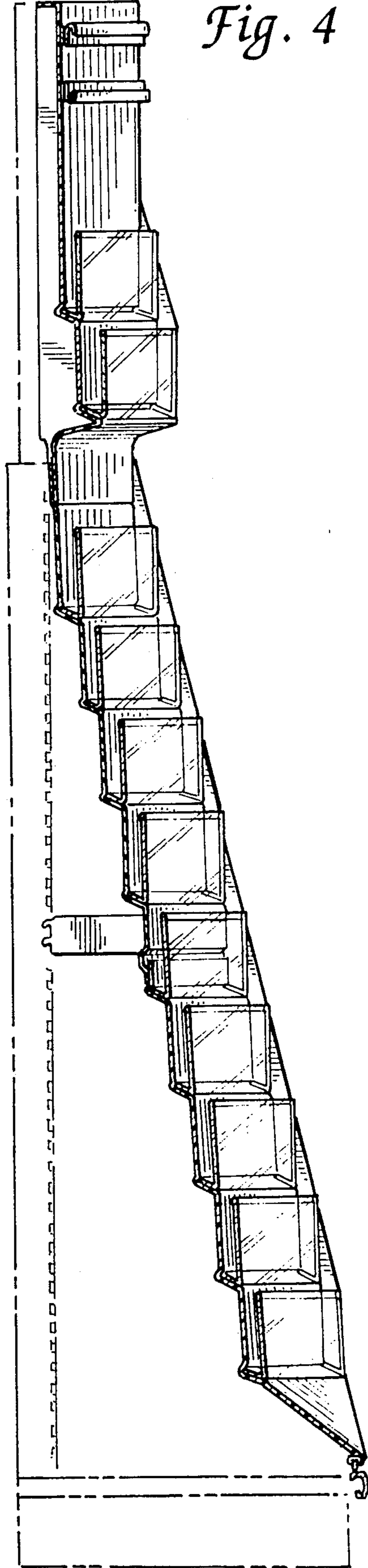


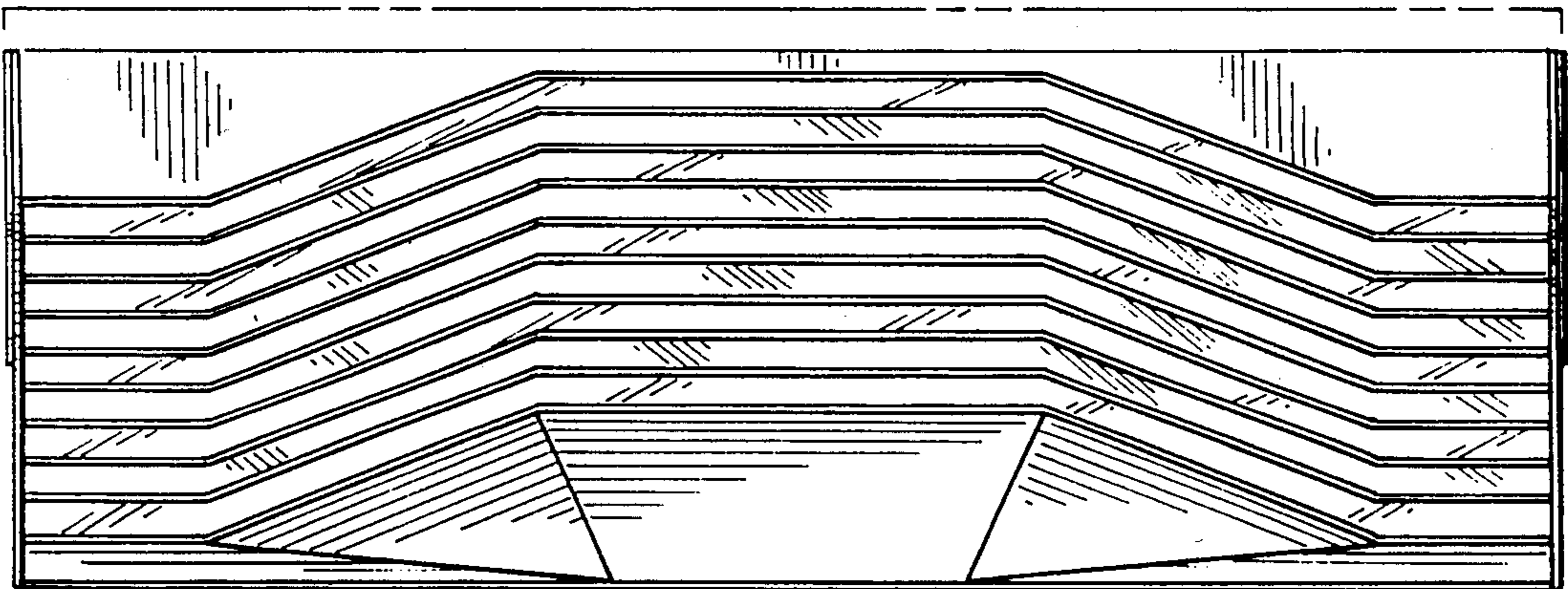
Fig. 1

*Fig. 2*

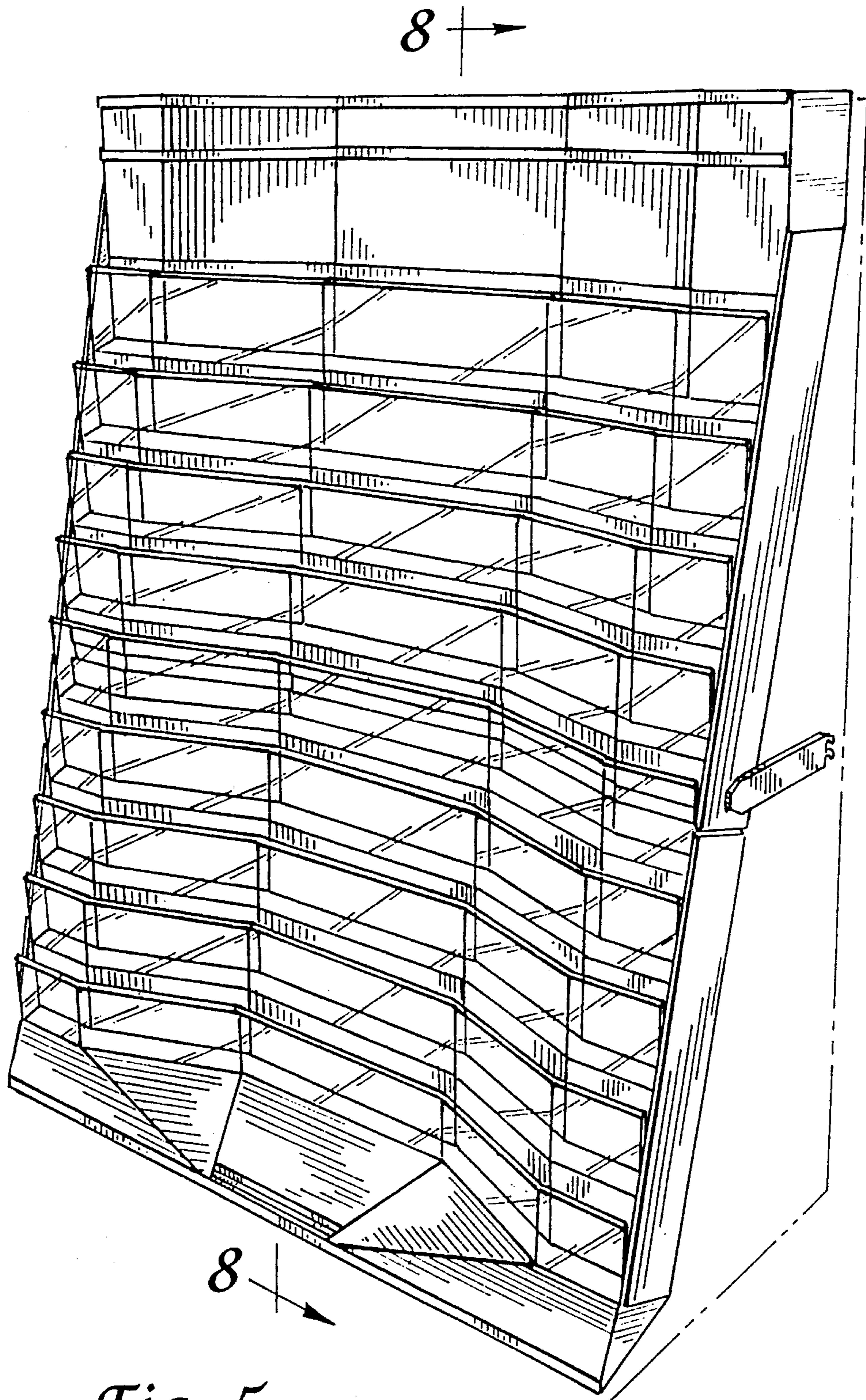


*Fig. 4*



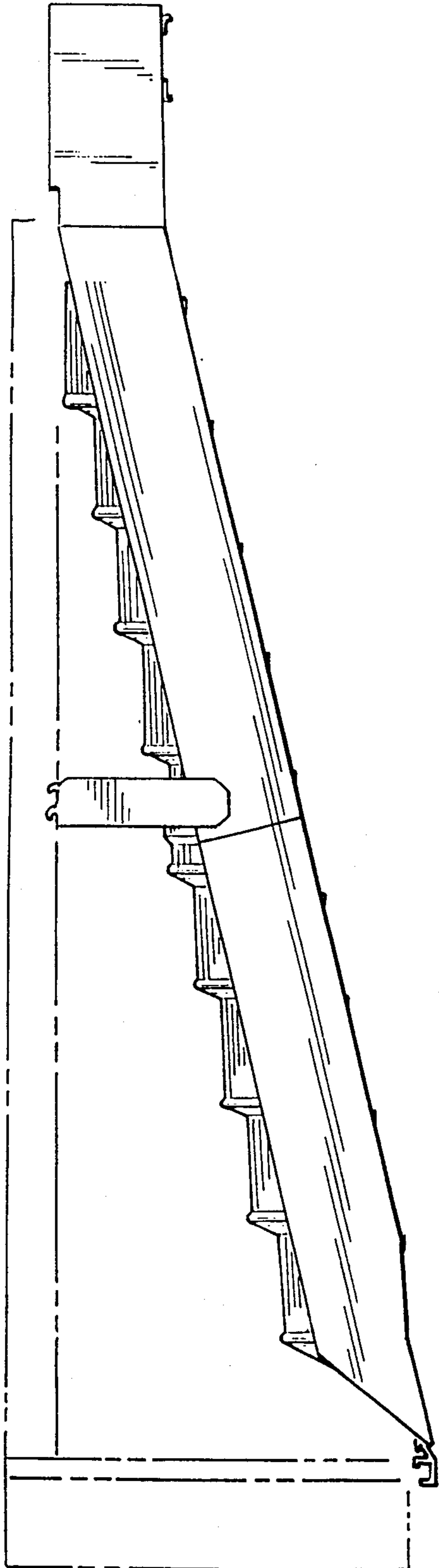


*Fig. 3*

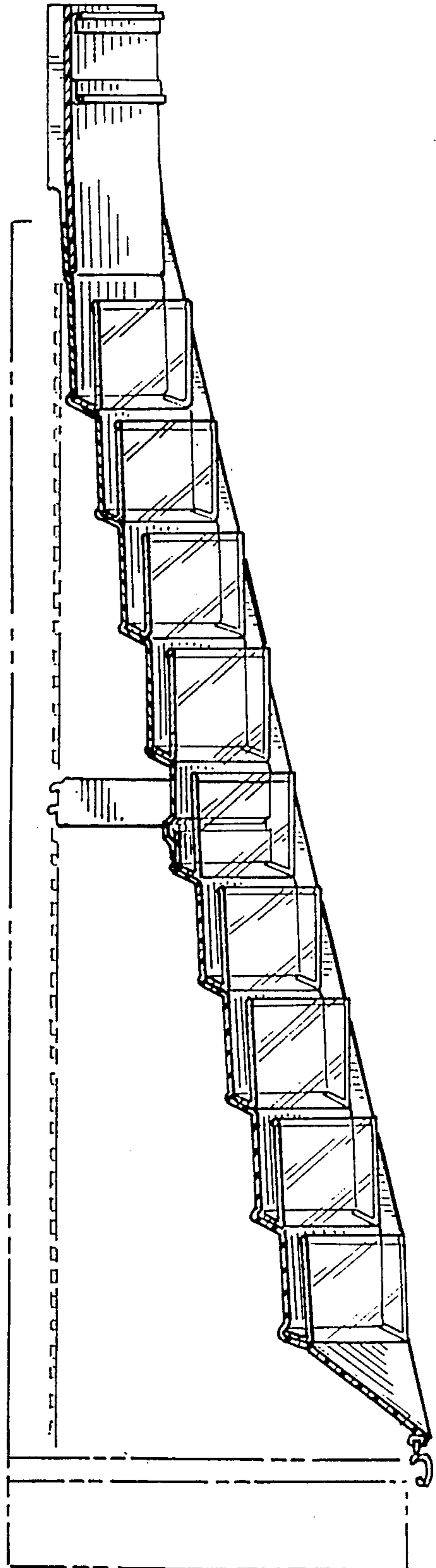


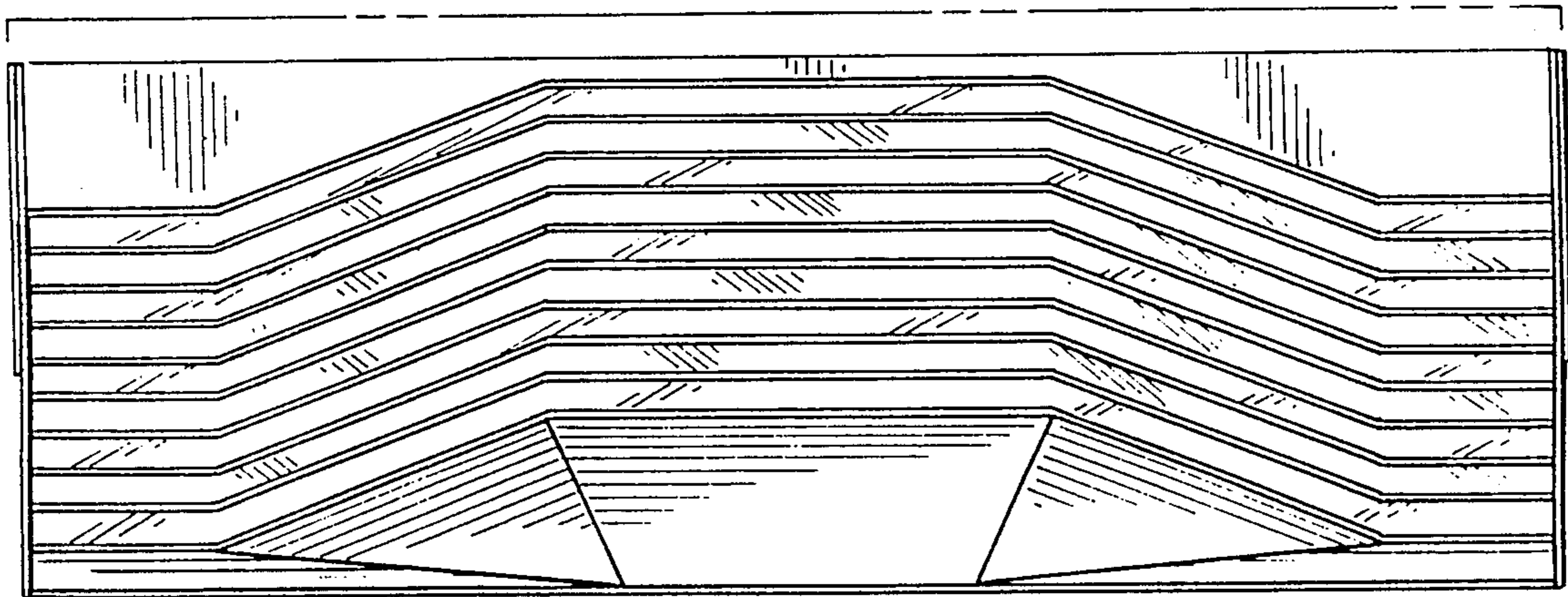
*Fig. 5*

*Fig. 6*



*Fig. 8*





*Fig. 7*

UNITED STATES PATENT AND TRADEMARK OFFICE  
**CERTIFICATE OF CORRECTION**

PATENT NO. : Des. 332,883  
DATED : February 2, 1993  
INVENTOR(S) : Jennis Staude

It is certified that error appears in the above-identified patent and that said Letters Patent is hereby corrected as shown below:

On the title page, Item [56] References Cited, "7,949,849" should be --4,949,849--.

On the title page, after Item [57] In the Description, delete", " following"FIG. 7 is a top plan view thereof; and".

Signed and Sealed this  
Second Day of November, 1993



BRUCE LEHMAN

Attest:

Attesting Officer

Commissioner of Patents and Trademarks