



US00D332882S

# United States Patent [19]

[11] Patent Number: **Des. 332,882**

**Graves**

[45] Date of Patent: **\*\* Feb. 2, 1993**

[54] **STRING MUSICAL INSTRUMENT SUPPORT STAND**

[56]

### References Cited

#### U.S. PATENT DOCUMENTS

D. 236,227	8/1975	Kester .....	D6/431
1,045,583	11/1912	Mills .....	84/327
1,612,148	12/1926	Oettinger .....	84/327
4,352,480	10/1982	Gathright .....	206/314
4,693,161	9/1987	Uhrig .....	84/327

[76] Inventor: **Jay D. Graves, 4614 Laurel, Bellaire, Tex. 77401**

*Primary Examiner*—Bernard Ansher  
*Assistant Examiner*—Adir Aronovich  
*Attorney, Agent, or Firm*—Bill B. Berryhill

[\*\*] Term: **14 Years**

### [57] CLAIM

[21] Appl. No.: **534,661**

The ornamental design for a string musical instrument support stand, as shown.

[22] Filed: **Jun. 4, 1990**

### DESCRIPTION

[52] U.S. Cl. .... **D6/466; D17/99**

FIG. 1 is a front perspective view of a string musical instrument support stand showing my new design; FIG. 2 is a rear perspective view thereof; and, FIG. 3 is a top plan view thereof.

[58] Field of Search ..... **D6/431, 458, 462, 466; D17/20, 99; 84/327, 453; 248/163.1, 176; 206/314**

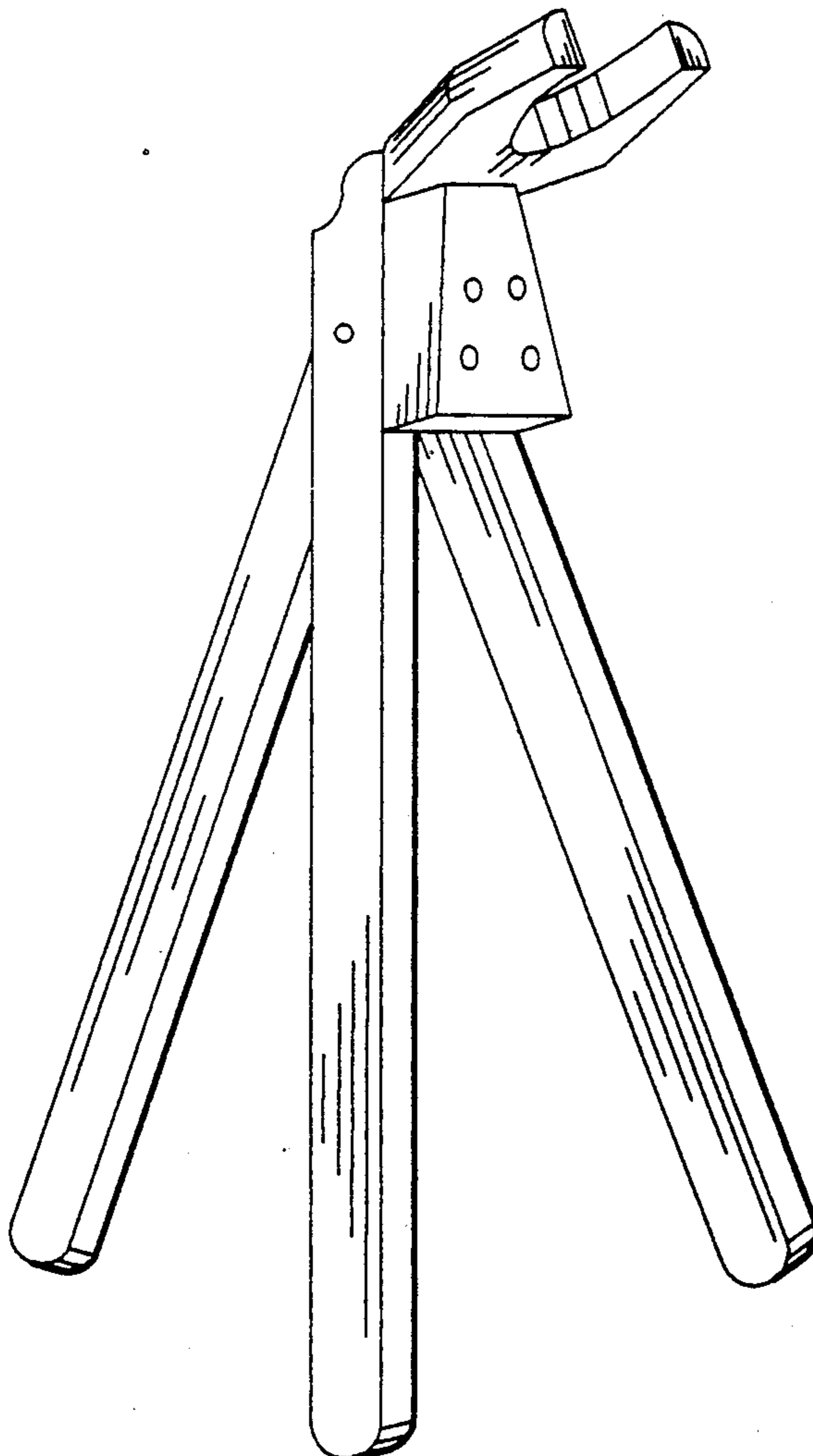


FIG. 1

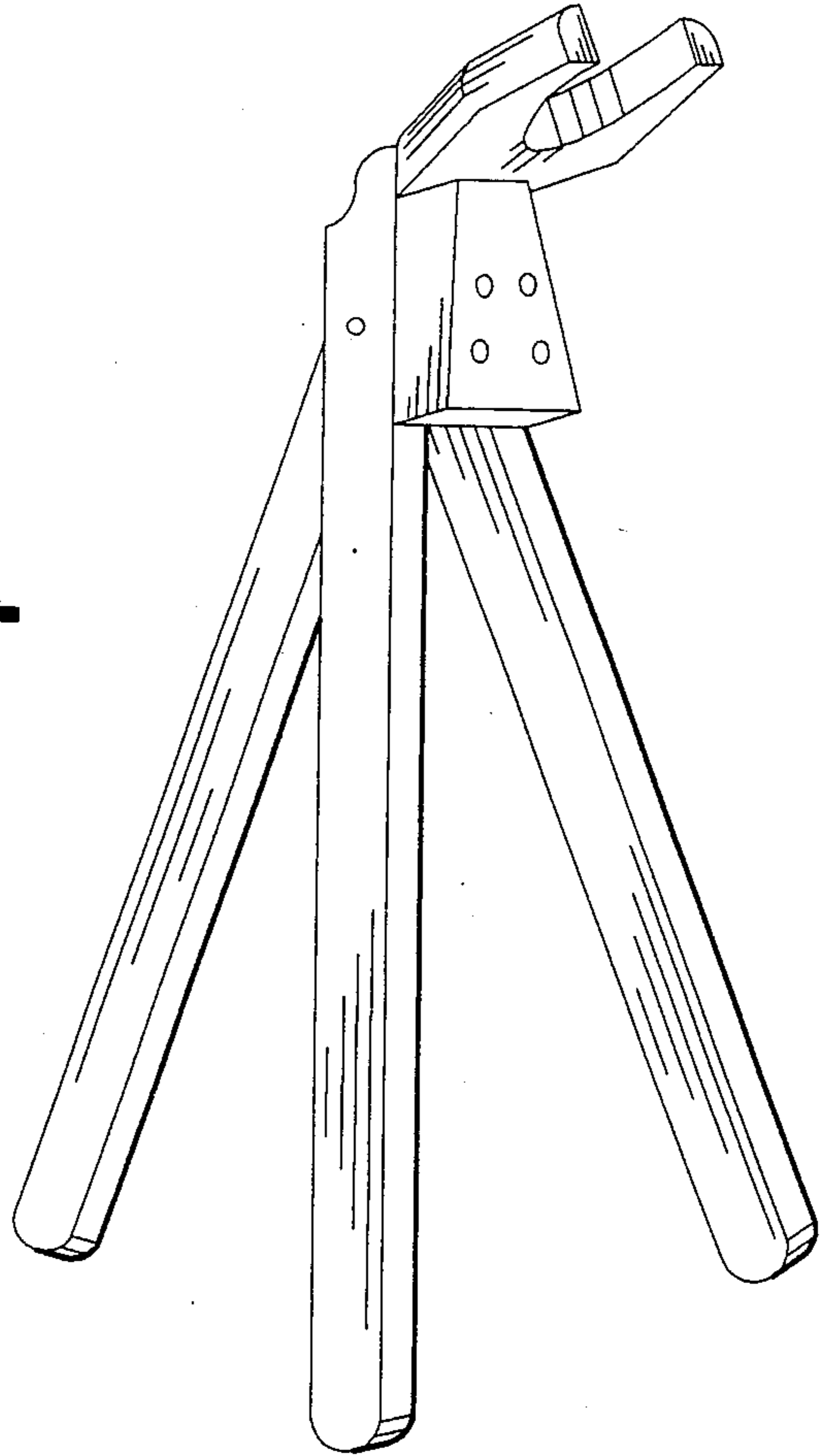


FIG. 2

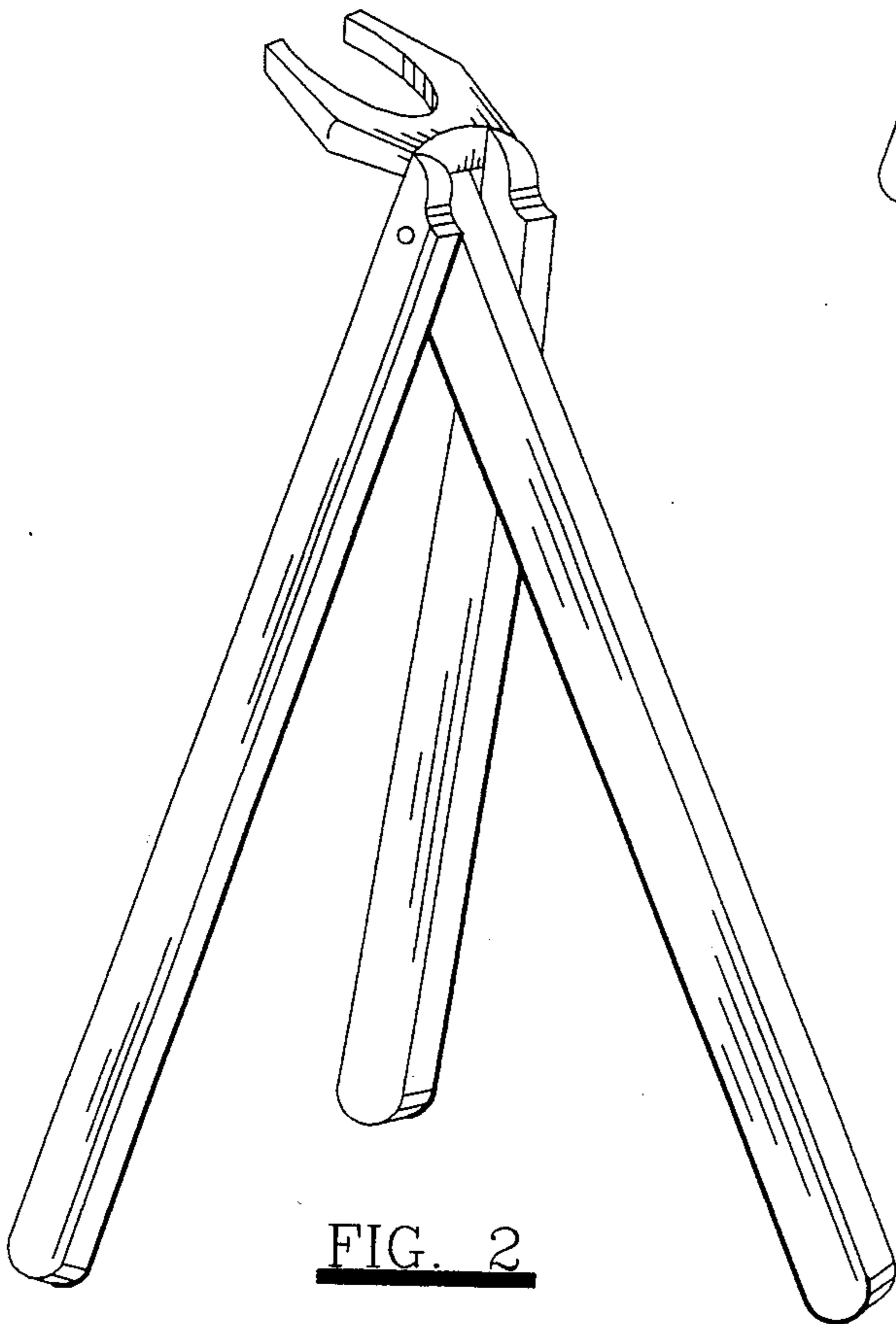


FIG. 3

