



US00D332880S

# United States Patent [19]

[11] Patent Number: **Des. 332,880**

Cugley et al.

[45] Date of Patent: **\*\* Feb. 2, 1993**

[54] **DISPLAY CABINET**

[75] Inventors: **Derwyn Cugley, Brea; Thomas L. Evans, Laguna Nigel, both of Calif.**

[73] Assignee: **VSI Fasteners, Inc., Stanton, Calif.**

[\*\*] Term: **14 Years**

[21] Appl. No.: **557,503**

[22] Filed: **Jul. 24, 1990**

[52] U.S. Cl. .... **D6/446**

[58] Field of Search ..... **D6/474, 432-448; D19/92; 312/330 R, 107; 211/94**

[56] **References Cited**

**U.S. PATENT DOCUMENTS**

- D. 229,464 12/1973 Martini ..... D6/446
- D. 254,883 5/1980 Jorda et al. .... D6/445

- D. 281,748 12/1985 Kiiski ..... D6/446
- D. 286,714 11/1986 Verholt ..... D6/446

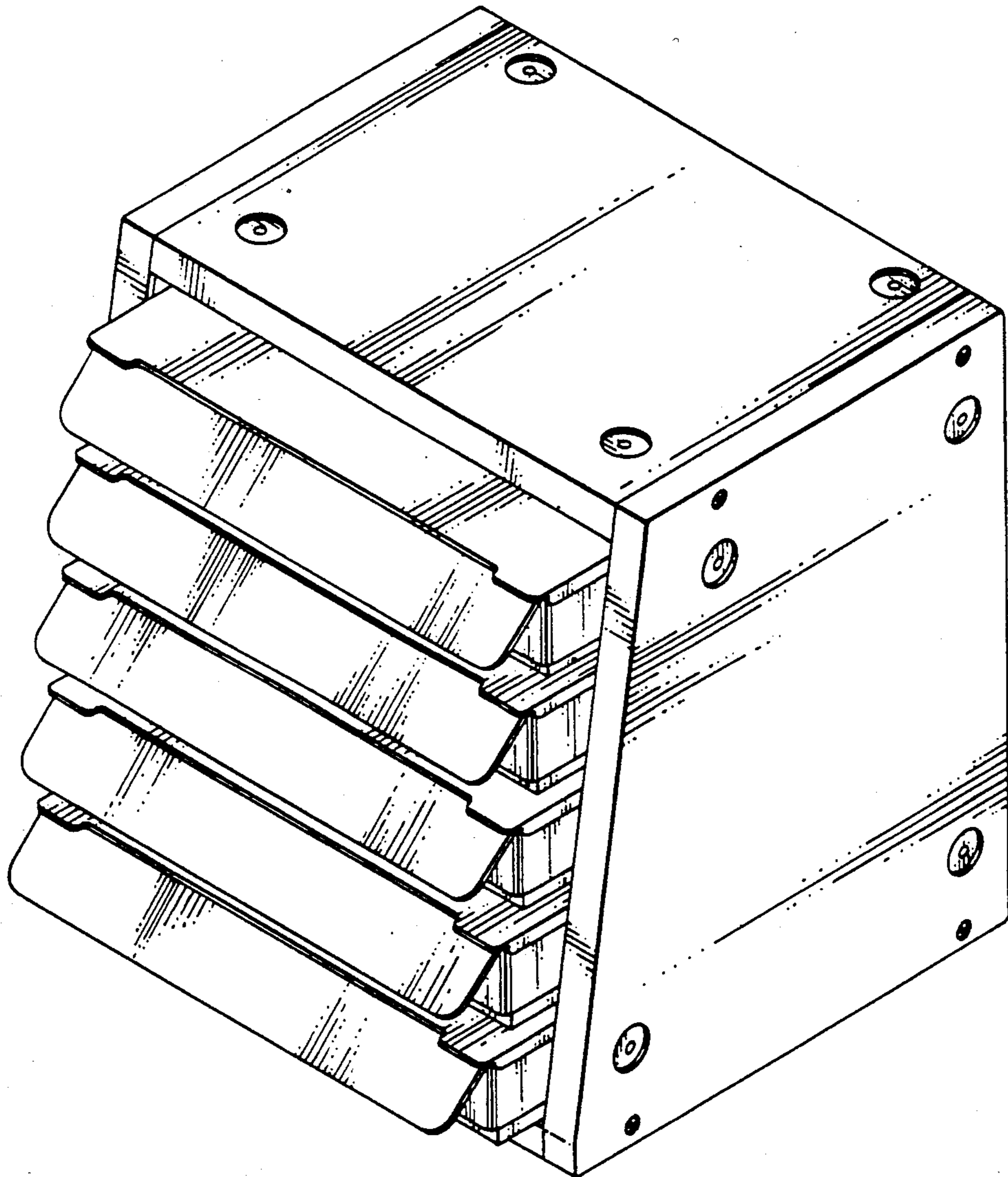
*Primary Examiner*—Carmen H. Vales-Lado  
*Attorney, Agent, or Firm*—Frederick Gotha

[57] **CLAIM**

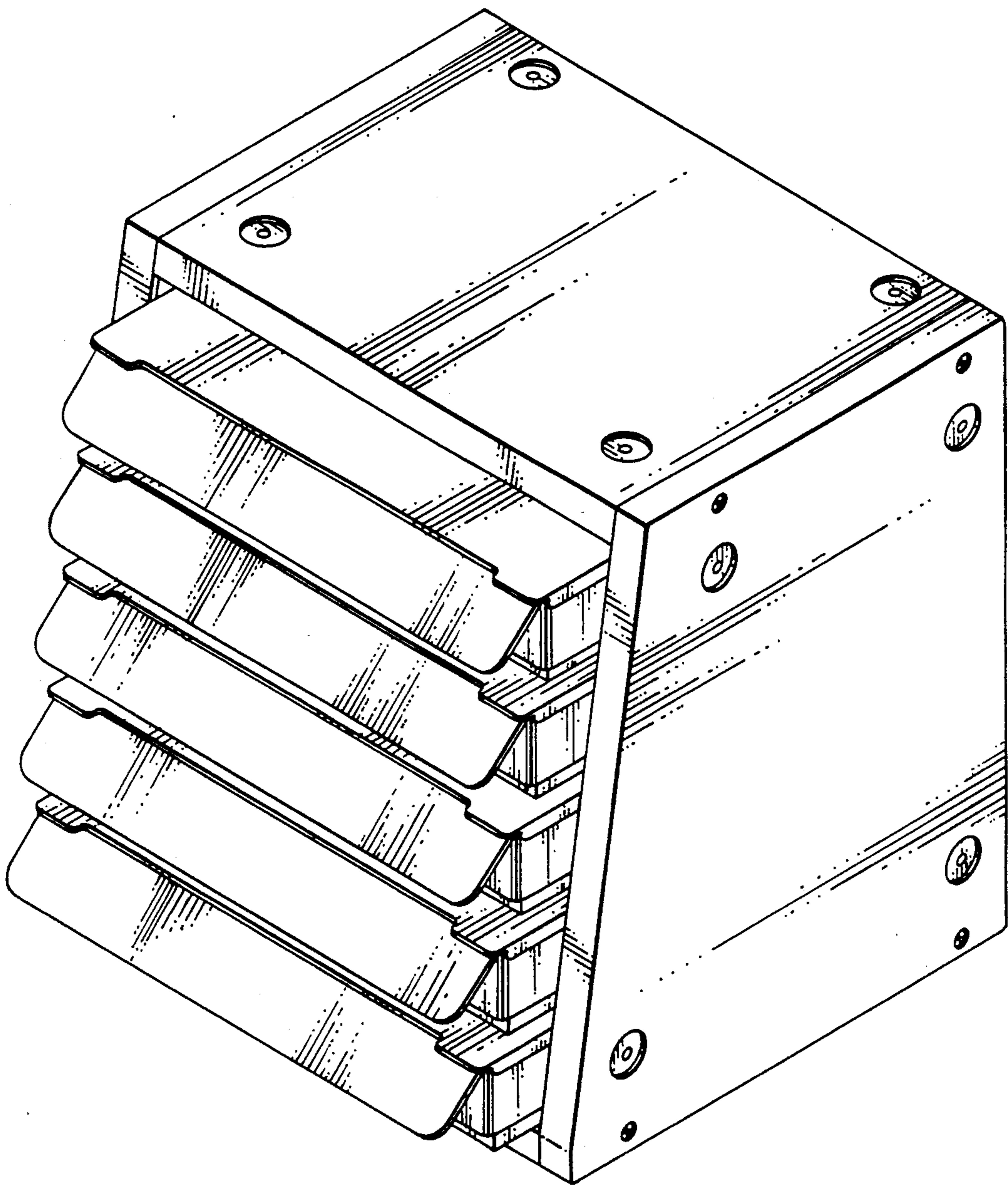
The ornamental design for a display cabinet, as shown and described.

**DESCRIPTION**

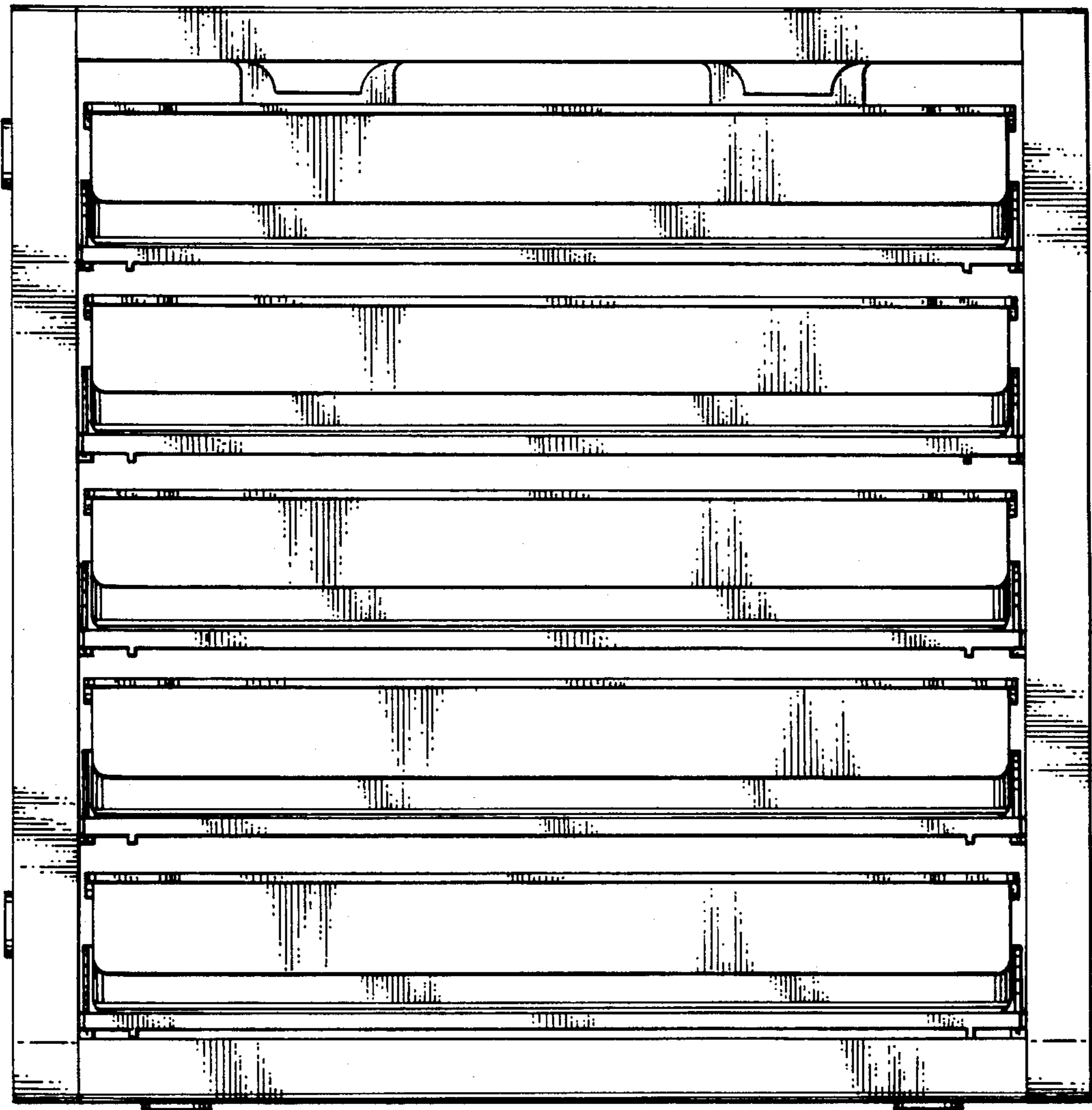
FIG. 1 is a perspective view of a display cabinet showing our new design;  
 FIG. 2 is a front elevational view thereof;  
 FIG. 3 is a left side elevational view thereof;  
 FIG. 4 is a rear elevational view thereof;  
 FIG. 5 is a right side elevational view thereof;  
 FIG. 6 is a top plan view thereof; and,  
 FIG. 7 is a bottom plan view thereof.



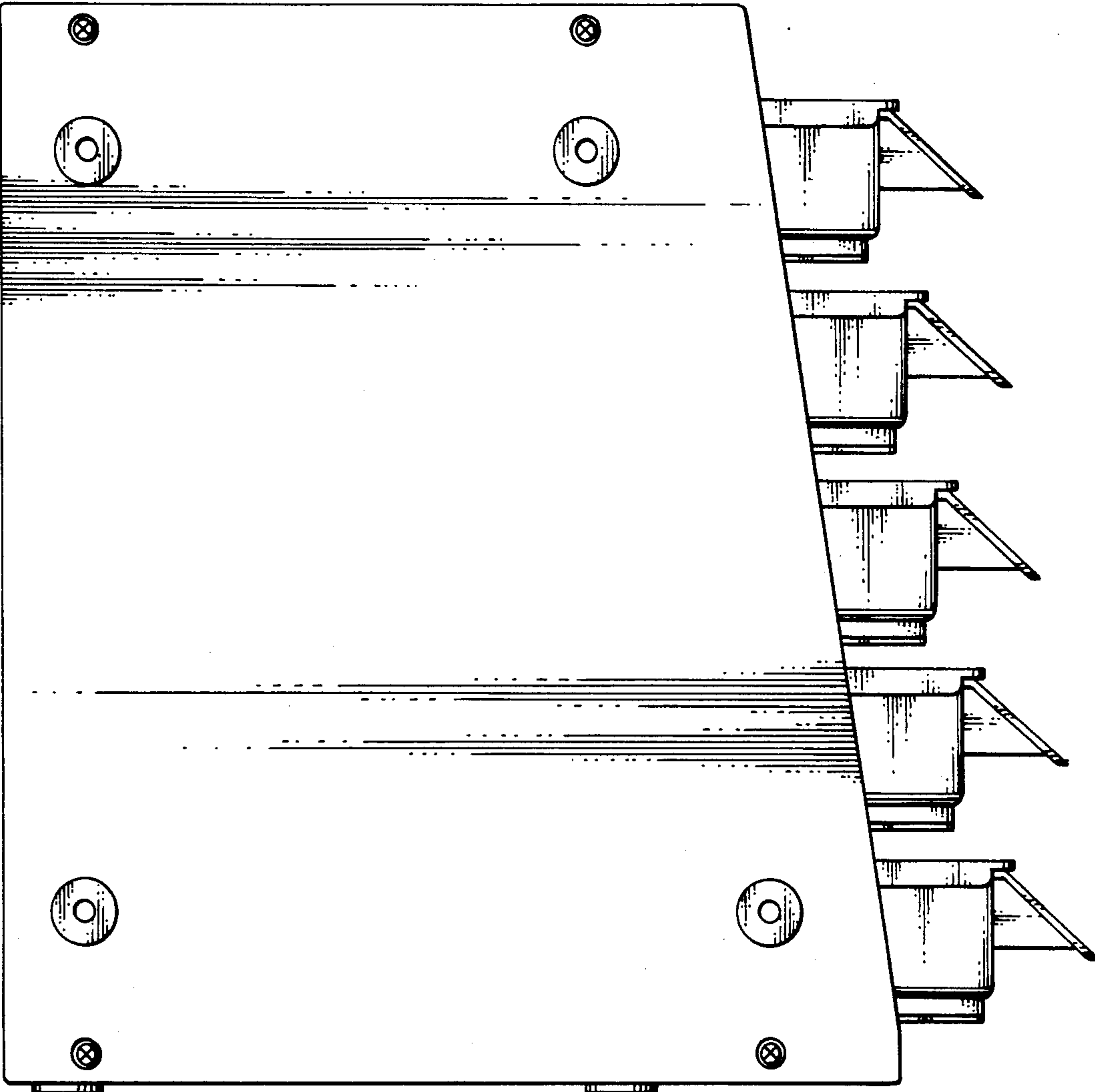
*Fig. 1*



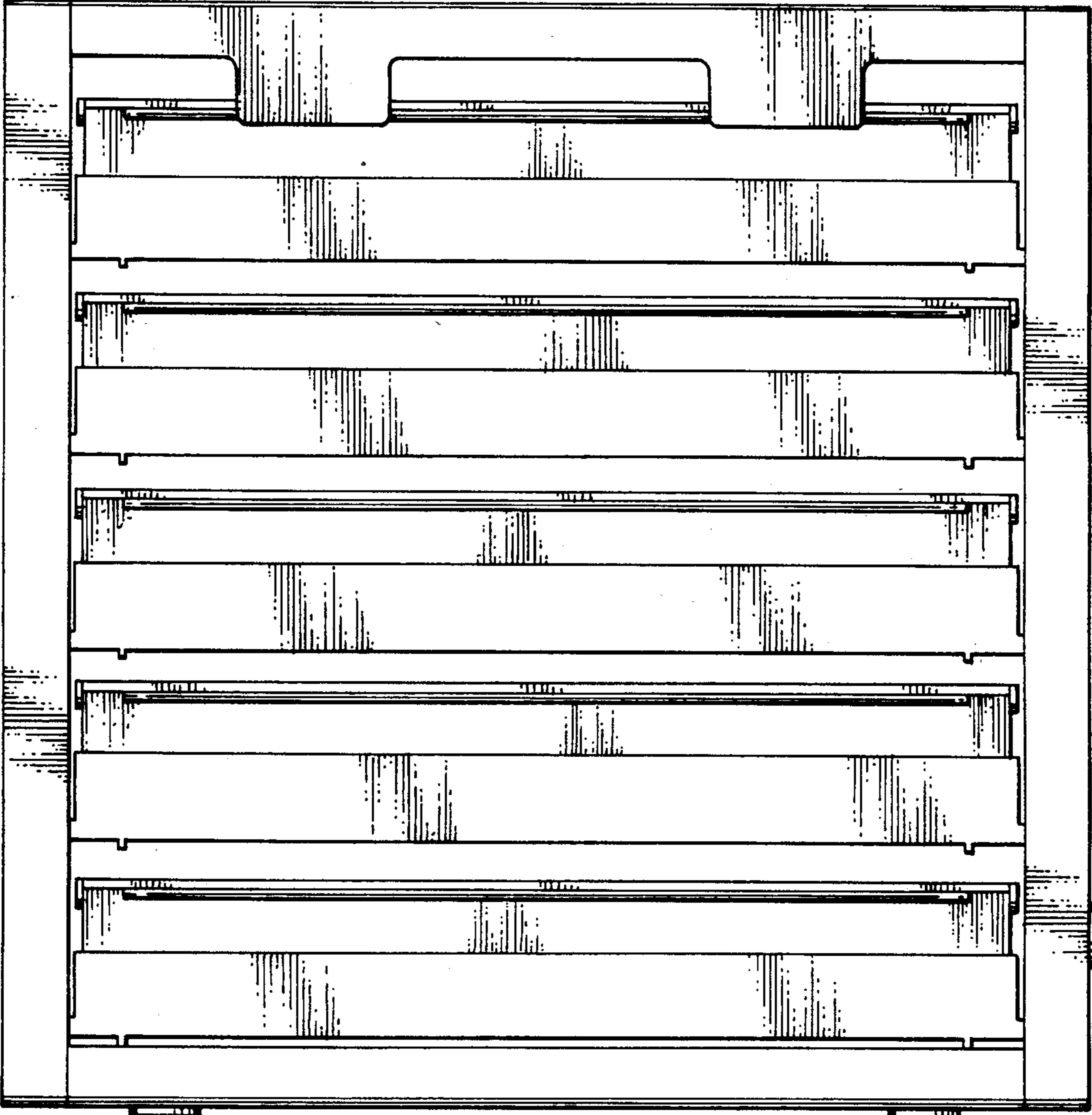
*Fig. 2*



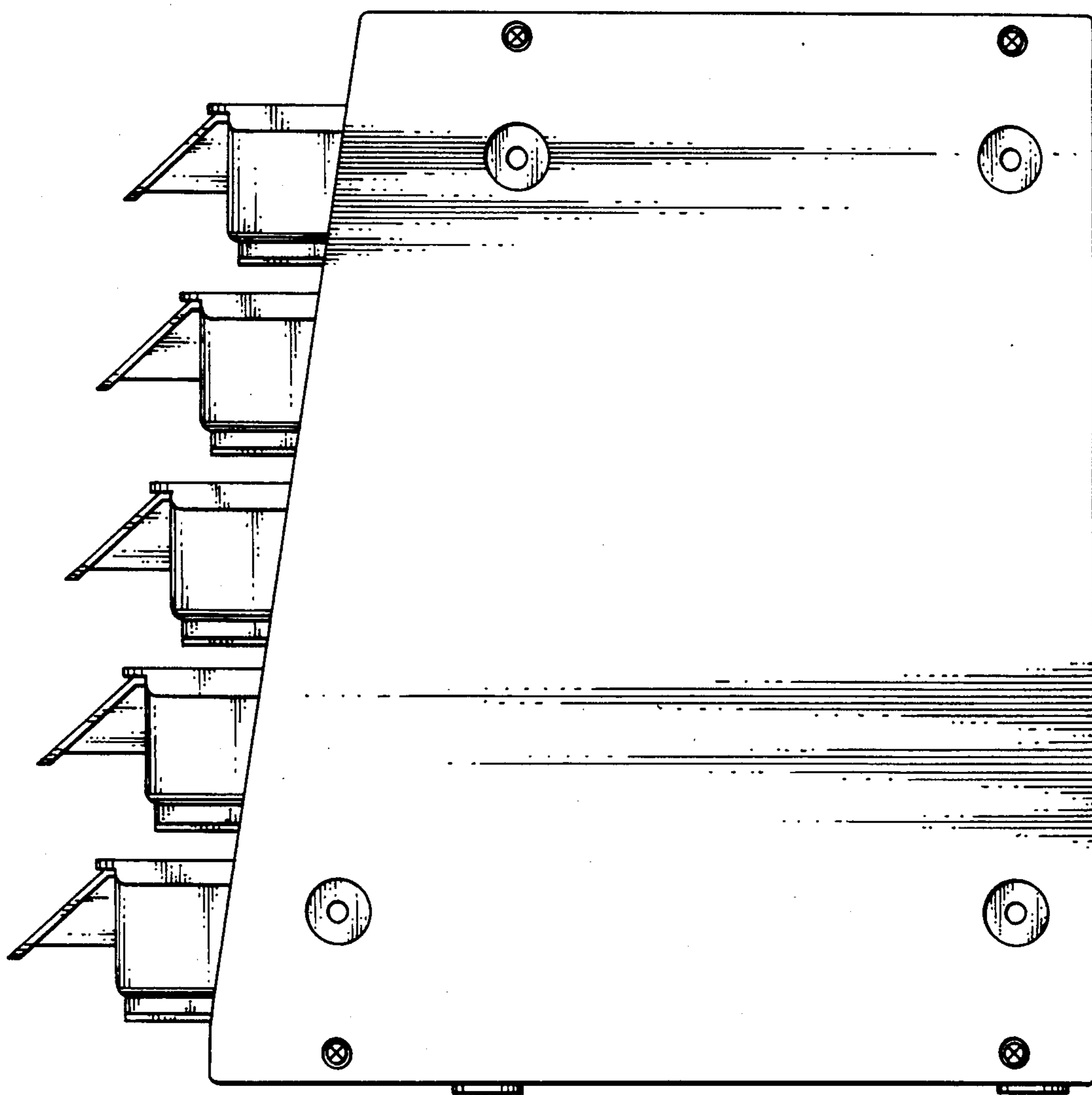
*Fig. 3*



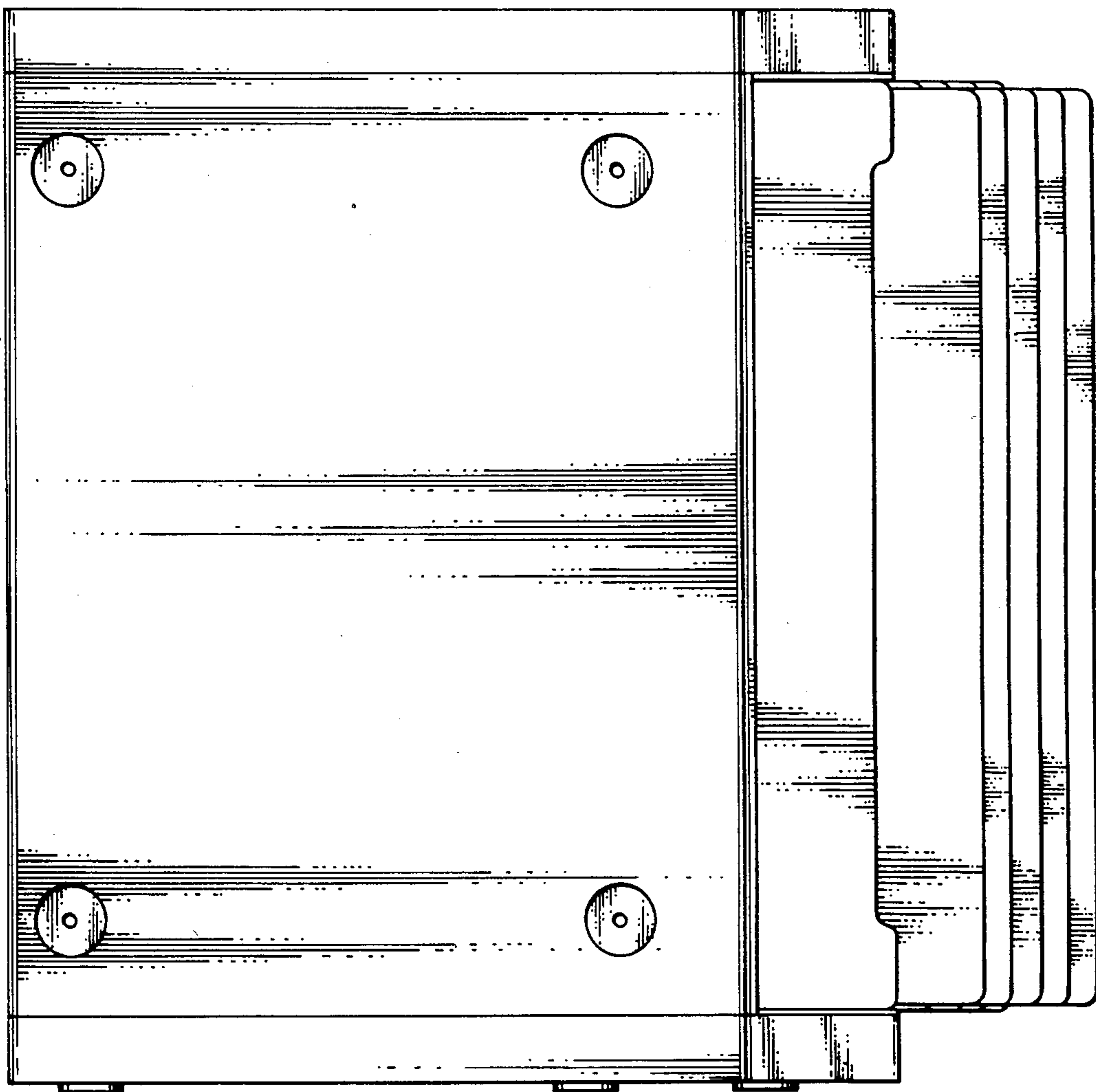
*Fig. A*



*Fig. 5*



*Fig. 6*



*Fig. 7*

